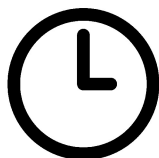
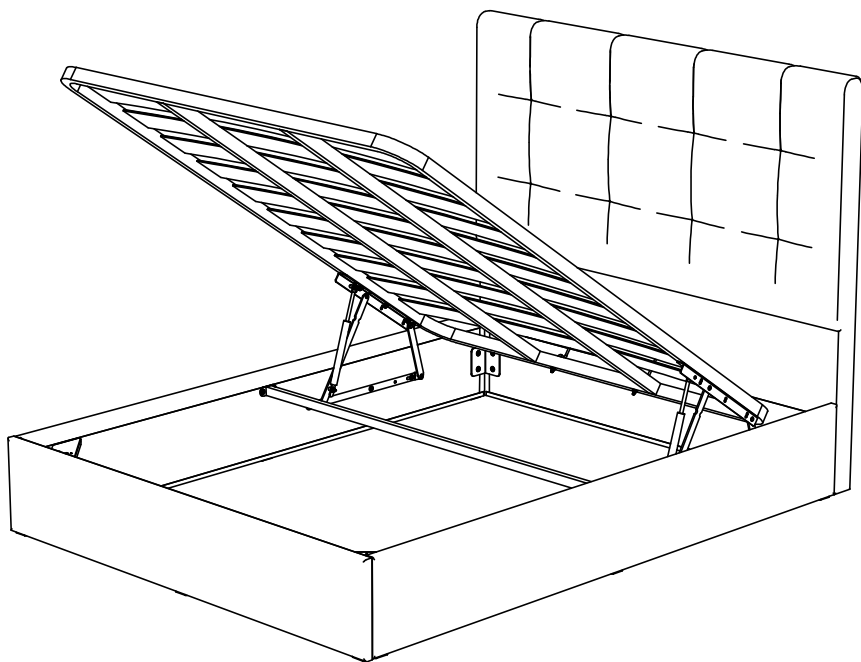


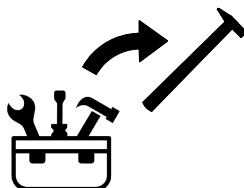
Emma®



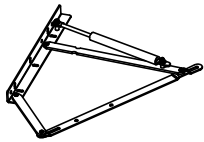
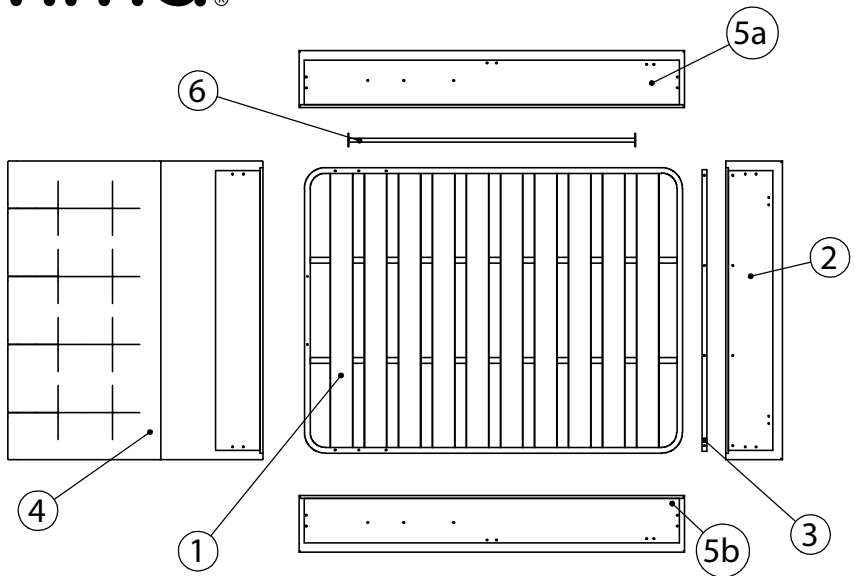
40'



x2



Emma®



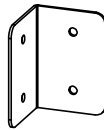
Ax2



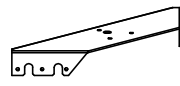
Bx6



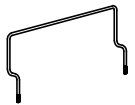
Cx6



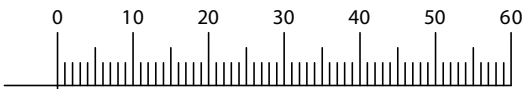
Gx4



Hx2

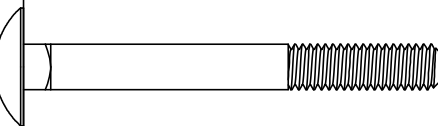


Ix1

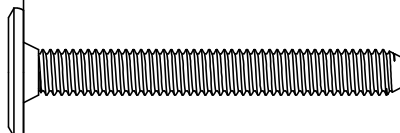


Jx1

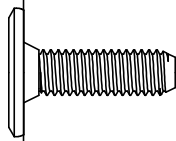
Dx6



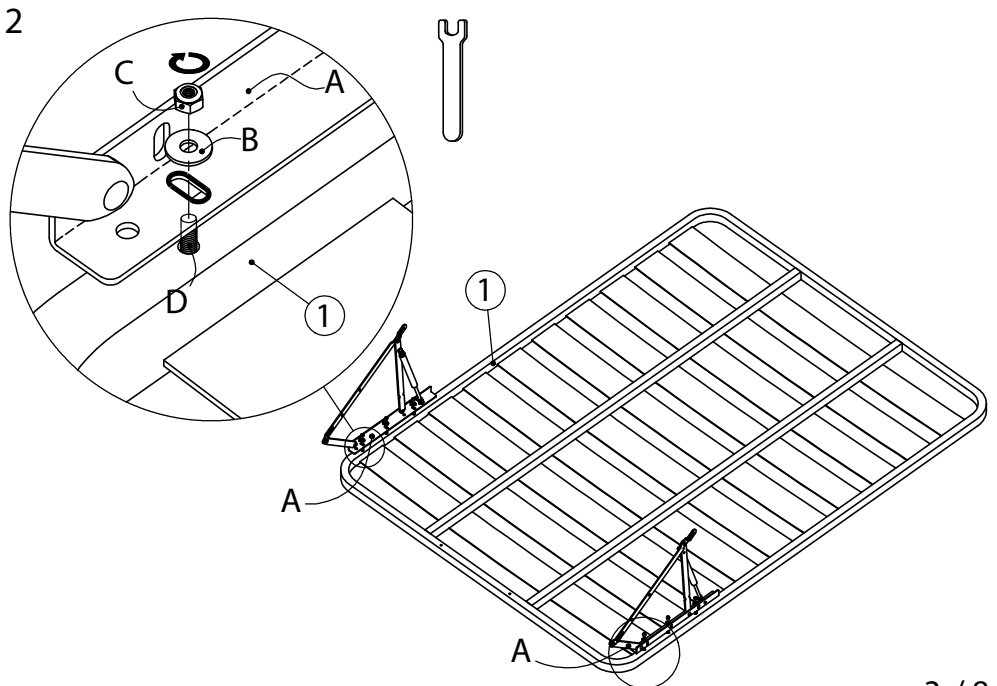
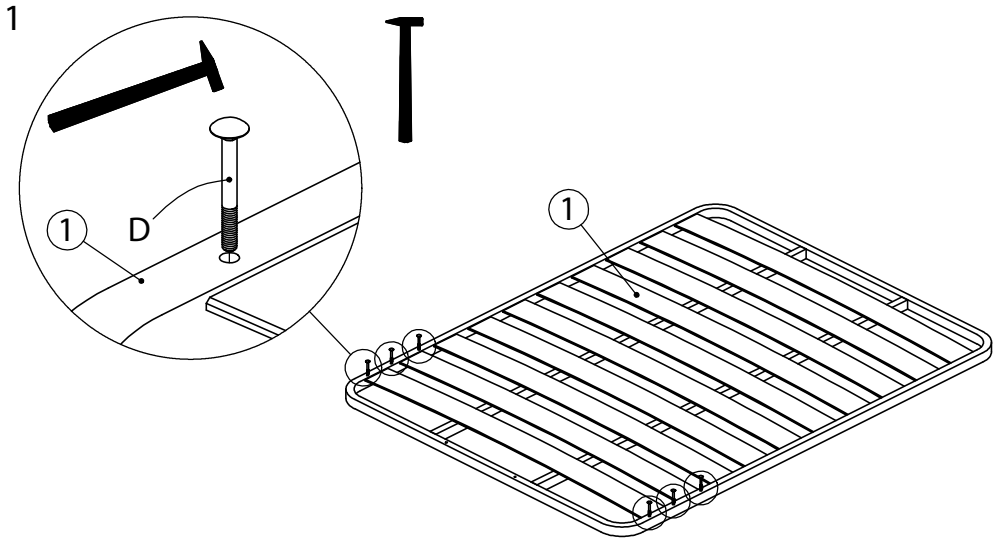
Ex4



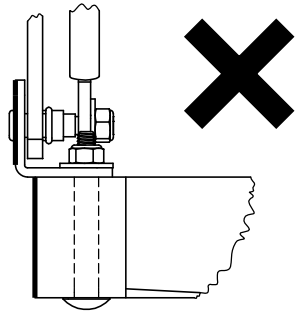
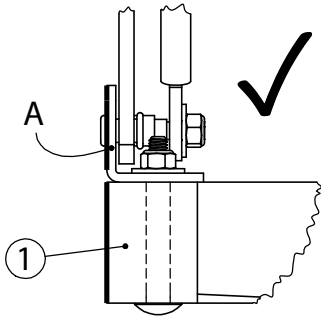
Fx34



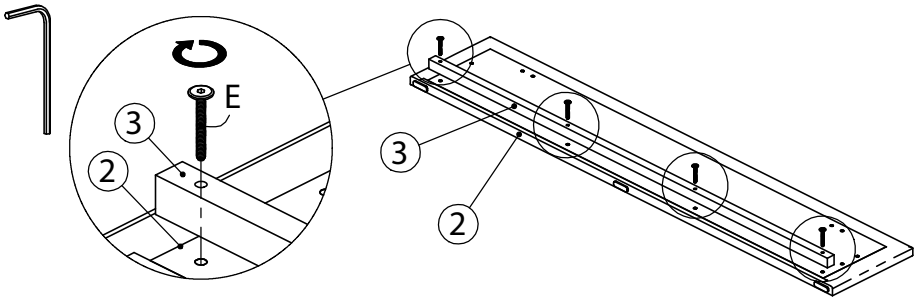
Emma®



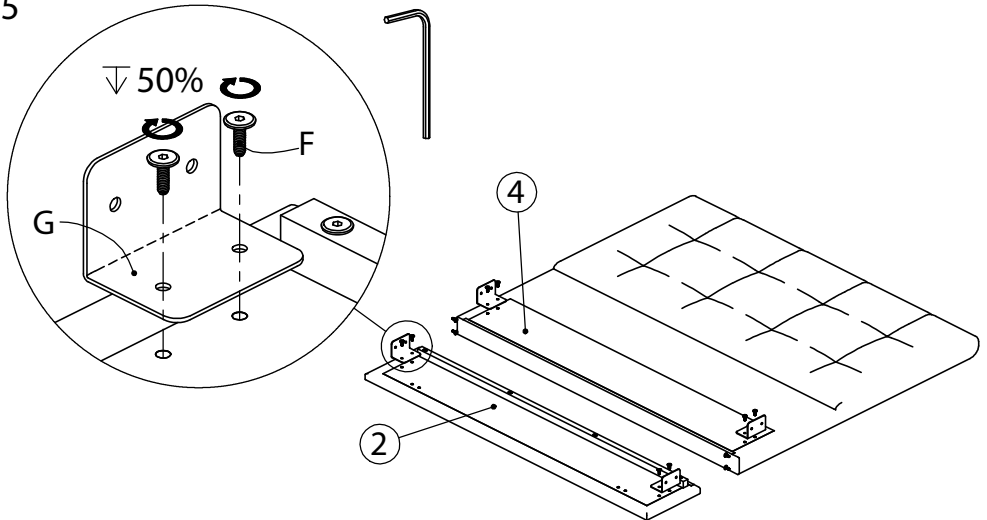
3

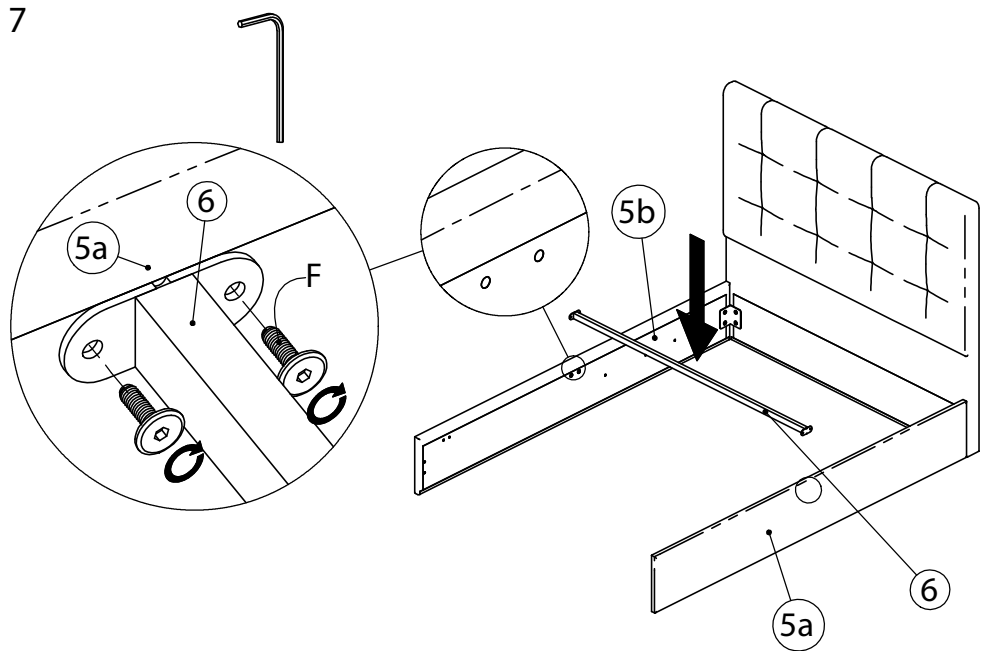
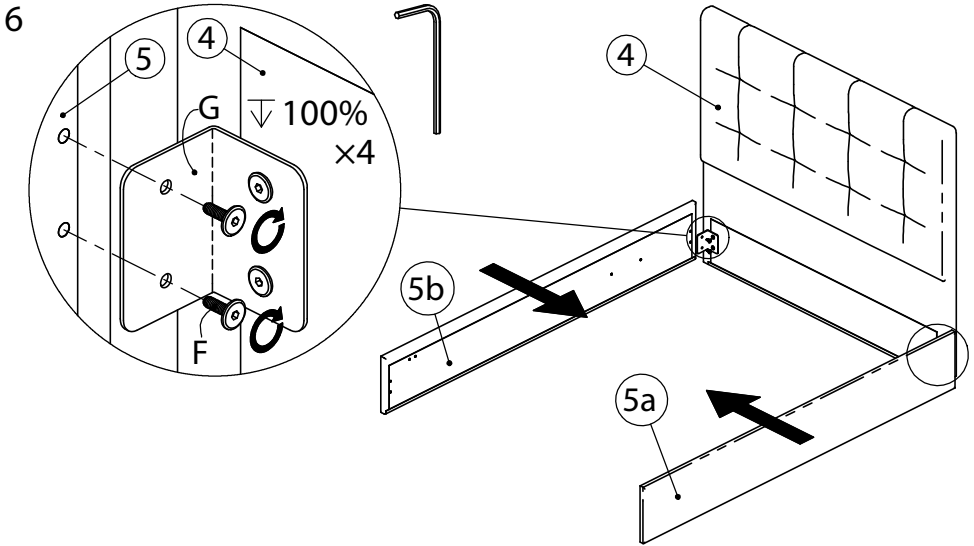


4

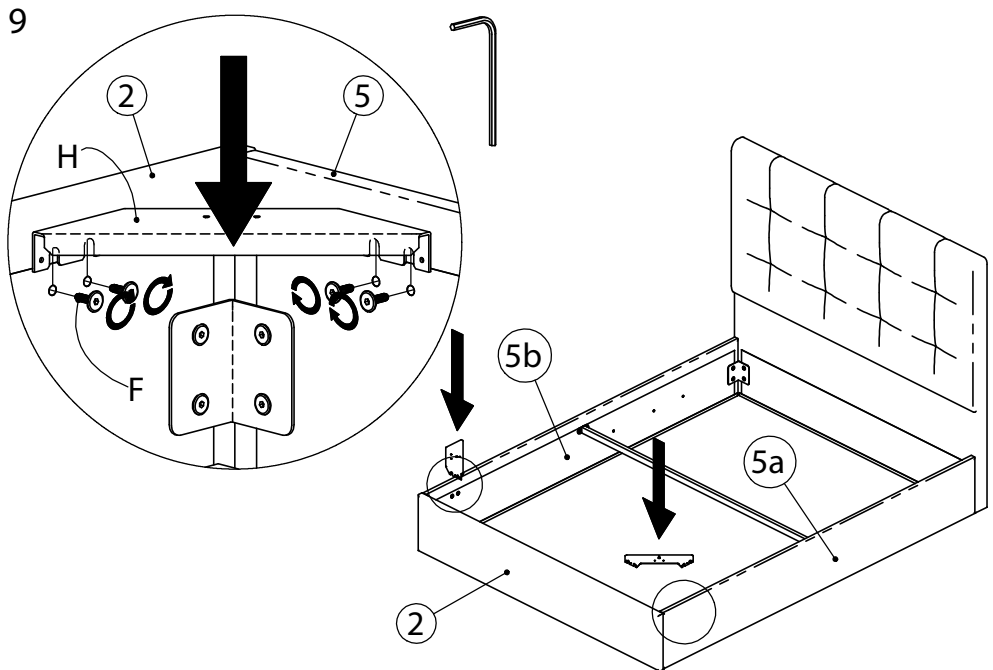
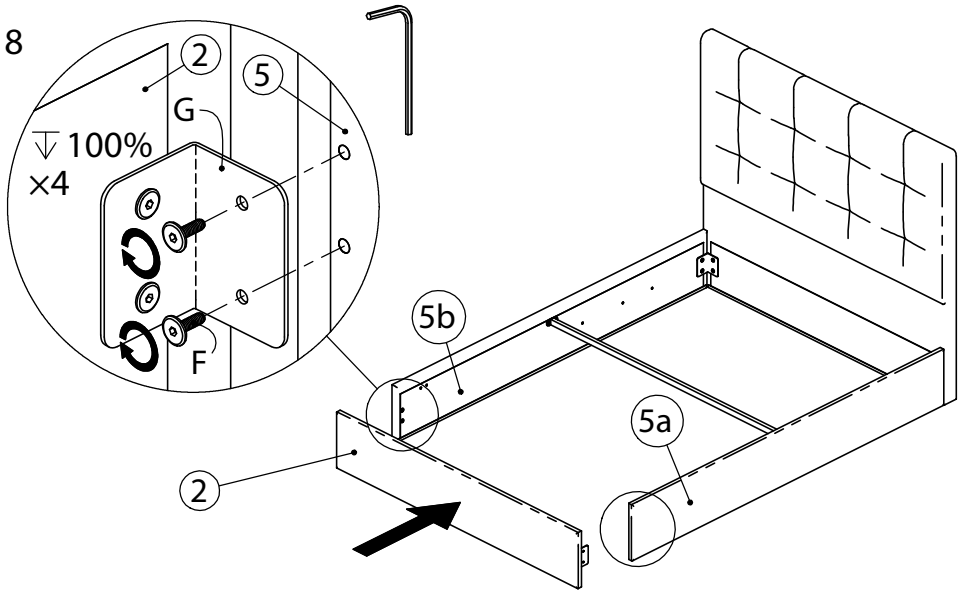


5

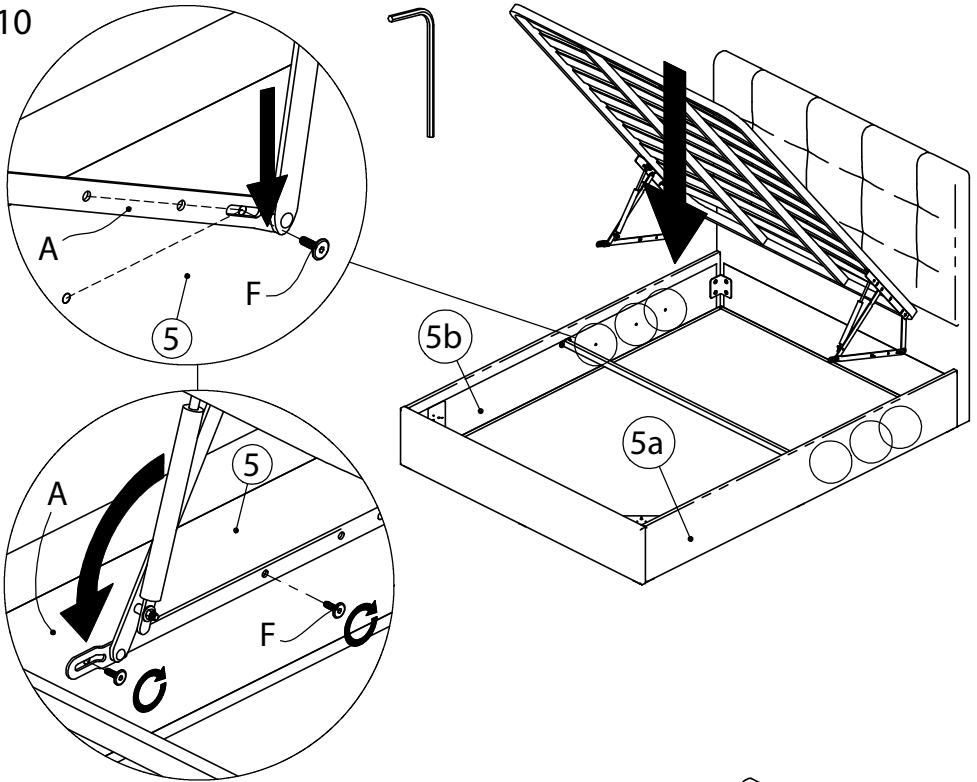




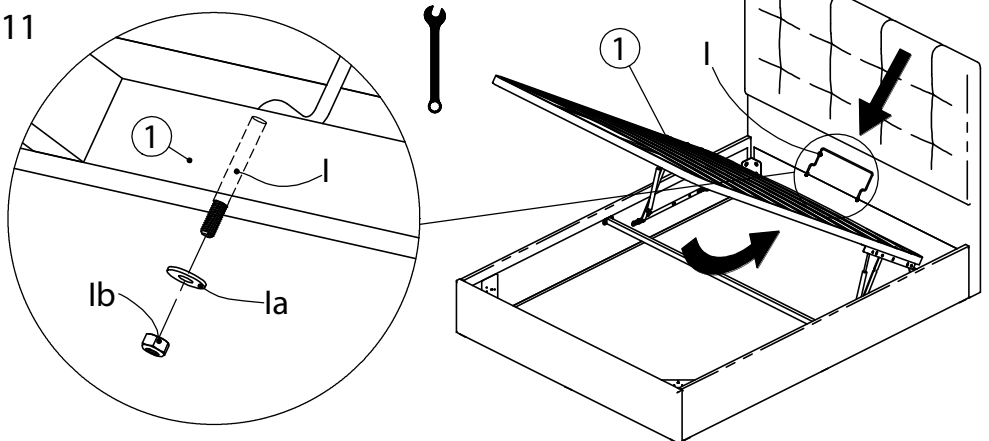
Emma®



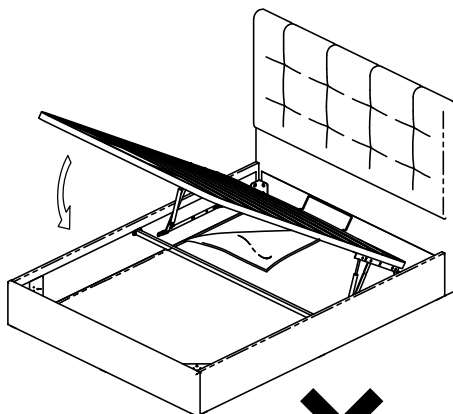
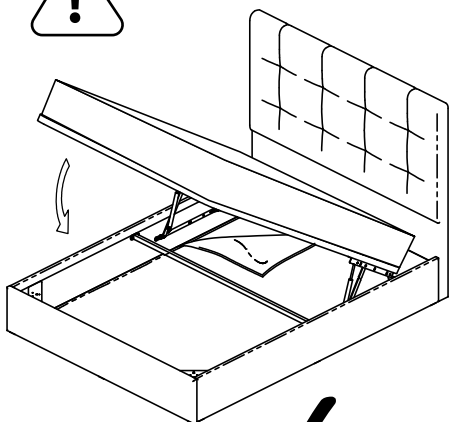
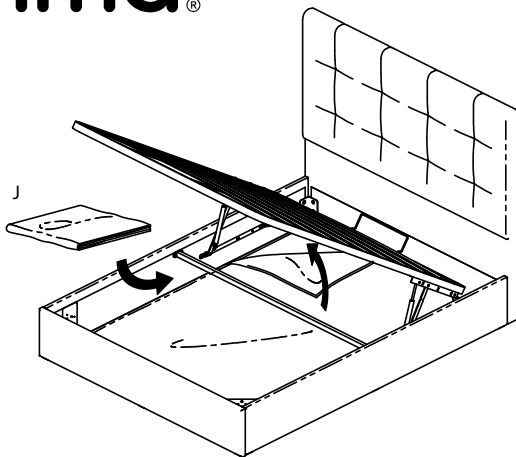
10



11



11



WARNING! (RETAIN FOR FUTURE REFERENCE):

- Slatted frame must NOT be closed without the mattress. The mattress should be put on top of the open frame, then the bed can be closed by applying pressure on top of the mattress foot-end.
- Do not pull the handle to close the slatted frame.
- Keep hands away from the mechanism when opening or closing.
- Never reach through mechanism to access storage area.
- Always ensure that the ottoman is FULLY opened before accessing the storage area.
- Do not sit on the opened bed frame.
- Do not place hands on the edges of the frame when closing.