



ENGLISH

FRANÇAIS

ESPAÑOL

# Integrated Refrigeration Installation Guide

## BUILT-IN REFRIGERATION

SKSFD3604P



MFL67410815\_Rev.05

[www.signaturekitchensuite.com](http://www.signaturekitchensuite.com) (USA)  
[www.signaturekitchensuite.ca](http://www.signaturekitchensuite.ca) (CANADA)

Copyright © 2018 - 2020 SIGNATURE KITCHEN SUITE. All Rights Reserved.

# Table of Contents

<b>SAFETY INSTRUCTIONS.....</b>	<b>3</b>	<b>◆ Special Installations</b>	
<b>Before Installation .....</b>	<b>6</b>	Optional Frame Kit Accessory.....	29
Choosing the Install Location .....	6	Adjusting the Door Spring .....	30
SKSFD3604P – 36" INTEGRATED FRENCH DOOR REFRIGERATOR .....	9	Adjusting the Door Stop .....	30
Required Accessories and Tools .....	13	Water Filter Bypass .....	30
<b>Installation .....</b>	<b>14</b>	Side-by-Side Flush Installation.....	31
Unpacking .....	14	Precautions for Panel Installation.....	33
Moving the Appliance .....	15	Preparing to Connect the Water Line .....	34
Special Circumstances .....	15	Connecting the Water Line .....	34
Product Dimensions .....	16	Attaching the Badge .....	35
<b>A</b>			
Installing the Anti-tip Brackets .....	17		
Protecting Edges of Enclosure .....	18		
Installing Appliance in Enclosure .....	19		
<b>B</b>			
Aligning and Leveling the Appliance .....	20		
Attaching the Appliance to the Enclosure .....	22		
Attaching the Toe Kick Panel .....	23		
Loading the Appliance Door .....	24		
<b>C</b>			
Installing Door Panels .....	25		
Adjusting Door Panels .....	26		
Installing Door Trim .....	26		
Installing the upper trim (finish) for the convertible chamber/freezer compartment doors .....	27		
Attaching Air Separator .....	29		

# SAFETY INSTRUCTIONS

## IMPORTANT SAFETY INSTRUCTIONS

This guide contains many important safety messages.

Always read and obey all safety messages.

This is the safety alert symbol. It alerts you to safety messages that inform you of hazards that can kill or hurt you or others or cause damage to the product.

All safety messages will be preceded by the safety alert symbol and the hazard signal word WARNING, or CAUTION. These words mean:

**⚠ WARNING** You may be killed or seriously injured if you don't follow instructions.

**⚠ CAUTION** Indicates an imminently hazardous situation which, if not avoided, may result in minor or moderate injury, or product damage.

All safety messages will identify the hazard, tell you how to reduce the chance of injury, and tell you what can happen if the instructions are not followed.

**⚠ WARNING**

### TIP-OVER HAZARD

Use two or more people to move and install the refrigerator.

To prevent the refrigerator from tipping over, install anti-tip brackets (provided). Failure to follow the refrigerator installation instructions can result in serious injury or death.



**⚠ WARNING** To reduce the risk of fire, electric shock, or personal injury when using the product, basic safety precautions should be followed, including the following. Read all instructions before using this appliance.

**⚠ WARNING** This product contains chemicals known to the State of California to cause cancer and birth defects or other reproductive harm.  
***Wash hands after handling.***

### Installation

- These products are not designed to be used as freestanding units. Doing so will result in a risk of tipover, personal injury, and product or property damage.
- Do not install the refrigerator near a gas stove, water heater or other source of ignition that may possibly leak gas. Do not install product in direct sunlight. Install the product in a well-ventilated area.
- Ensure that enclosure dimensions allow for sufficient air circulation at the sides and back of the product. Do not block the front air inlet. Failure to follow these instructions may cause product malfunction.
- Enclosure must be constructed of materials which are strong enough to avoid damage during installation and frequent use.

- Cabinet materials must be able to withstand the heat and humidity produced during product operation and use without twisting or deforming.
- Install the product on a firm, level surface that can support the weight of the product without bending. The product must be level both horizontally and vertically.
- Keep children away from area during installation.
- Do not use an extension cord or power strip with this product.
- Do not install the refrigerator in a damp location or where it will be exposed to running water. Deterioration of the insulation on electrical parts may result, causing risk of electric shock.
- Connect to potable water only. Non-potable water can cause health risks.
- If connected to a circuit protected by fuses, use time delay fuse.

## Electrical Connection

### **Use a dedicated outlet.**

- Plugging several devices into one outlet may cause a fire.

### **Plug in the power plug with the power cord facing downward.**

Failure to do so could damage the plug or cord, resulting in fire or electric shock.

**When installing or moving the refrigerator, be careful not to roll over or damage the power cord. Do not squeeze or crush the cord or plug when pushing the refrigerator in.** Doing so could result in fire or electric shock.

**Do not allow the power cord to be bent, crushed, or damaged. Do not run the power cord under heavy objects like furniture, other appliances, or through high-traffic areas.** Doing so may damage the power cord and result in fire or electric shock.

### **Do not extend or modify the length of the power cord.**

Use only an exact factory replacement part to avoid electrical issues, fire, or electric shock.

### **Turn off the power before cleaning or moving the refrigerator.**

- Failure to do so may cause electric shock or injury.
- Press the POWER button for 3 seconds to turn off the power at display panel.

### **Do not pull out the cord or touch the power plug with wet hands.**

Doing so may cause electric shock or injury.

### **Remove water or dust from the power plug and insert it securely into the wall socket.**

Dust, water, or a loose connection may cause a fire or electric shock.

### **Do not unplug the refrigerator by pulling on the cord.**

Doing so may cause electric shock or short circuit resulting in a fire.

### **Do not use the power cord or the power plug if it is damaged or if the outlet is damaged.**

Doing so may cause electric shock or short circuit resulting in a fire.

### **Wait for 5 minutes or longer when reconnecting the plug or turning the power back on.**

Give the compressor time to cycle before restarting.

**If the power supply cord is damaged, it must be replaced by the manufacturer or its service agent or a similarly qualified person in order to avoid a hazard.**

## **⚠ CAUTION**

**Do not remove the cover of the automatic ice dispenser.**  
The internal mechanism of the icemaker can cause injury if handled.

**Do not stick your hands under the refrigerator.**  
Sharp edges, fans, and wires may cause an injury

**Save these instructions for the local inspector's use.**

**Observe all governing codes and ordinances.**

**Installer: Leave these instructions with the consumer.**

**Consumer: Keep these instructions with the owner's manual for future reference.**

## **General**

These installation instructions are intended for use by qualified installers. All connections for water, electrical power and grounding must comply with local codes and ordinances and be made by licensed personnel when required. In the absence of a local code:

- ✓ In the U.S.A., in accordance with the National Electric Code, ANSI/NFPA70 – latest edition/  
State and Municipal codes and/or local codes.
- ✓ In Canada, in accordance with the Canadian Electric Code C22.1 – latest edition/Provincial and  
Municipal codes and/or local codes.

French Door Refrigerator 36" approx. 532 lbs / 241 kg

# Before Installation

## **WARNING**

Do not store or install the appliance where it will be exposed to:

- outside weather
- water damage
- temperatures under 32°F (0°C)

## Choosing the Install Location

### Temperature and Humidity

The appliance should be installed in a dry, well ventilated area.

The ambient temperature should stay between 55 °F (13 °C) and 110 °F (43 °C), to avoid malfunctions.

Do not install product where it will be exposed to direct sunlight or near a heat source, such as an oven or radiator.

## Anti-tip Devices

### **WARNING: Tip Hazard**

- The appliance is very heavy and may tip over if the door is opened before the appliance is securely installed.
- Install the supplied anti-tip brackets to prevent the appliance from tipping. The safest method of installing the appliance in a stable position is to use the supplied anti-tip devices.
- Do not open the appliance door or drawers unless it is still on the pallet or the anti-tip brackets are engaged.

If the enclosure is sturdy enough, attaching the appliance to the upper and side walls of the enclosure may provide additional stability, as long as the enclosure is firmly connected to the back wall. If in doubt, contact an architect or structural engineer.

## Enclosure

- The panel above the appliance must be made from a solid material (not MDF) that is at least 5/8" (16 mm) thick.
- The side walls of the cavity or enclosure must be flush.
- The front 4 inches (100 mm) of the interior surface (furniture return) will be visible when doors are open. Make sure this area is finished to at least 4 inches deep.
- Follow the specifications for the installation enclosure to ensure a trouble free installation.
- Above all, the enclosure cannot be out of square. Use a spirit level or measure the diagonals of the opening to make sure corners are square.
- The appliance is attached at the sides and the top to either the enclosure or to adjacent cabinets. Make sure the enclosure or the adjacent cabinets are securely connected to the floor or wall structures.

## Floor

### **WARNING**

- The floor in the installation area must be firm, level, and rigid for safe installation and best performance.
- Do not install the appliance on a platform or raised structure.
- The structure underneath the appliance must be able to support the weight of the appliance without tilting or flexing.
- For best performance and to avoid leakage, level the appliance.

## Electrical Requirements

### **WARNING**

#### Electrical Shock Hazard

- ✓ Plug into a grounded 3 prong outlet.
- ✓ Do not remove ground prong.
- ✓ Do not use an adapter.
- ✓ Do not use an extension cord.

Failure to follow these instructions can result in death, fire, or electrical shock.

Follow all state and local codes or NEC.

The appliance comes with a UL listed 3 wire power supply cord.

The appliance requires a 3-wire receptacle.

The receptacle must be installed by a licensed electrician only.

## Grounding

This appliance must be grounded. In the event of a malfunction or breakdown, grounding will reduce the risk of electric shock by providing a path of least resistance for the electric current.

### **WARNING**

Improper connection of the equipment grounding conductor may result in electric shock. Have the appliance checked by a qualified electrician or service technician if you are in doubt as to whether the appliance has been properly grounded.

### **NOTE**

Some local regulations may require a separate ground. In such cases, the required ground wire, clamp and screw are available as a separate accessory and must be purchased separately.

Never ground the appliance to plastic plumbing lines, gas lines or water pipes.

## Water Connection

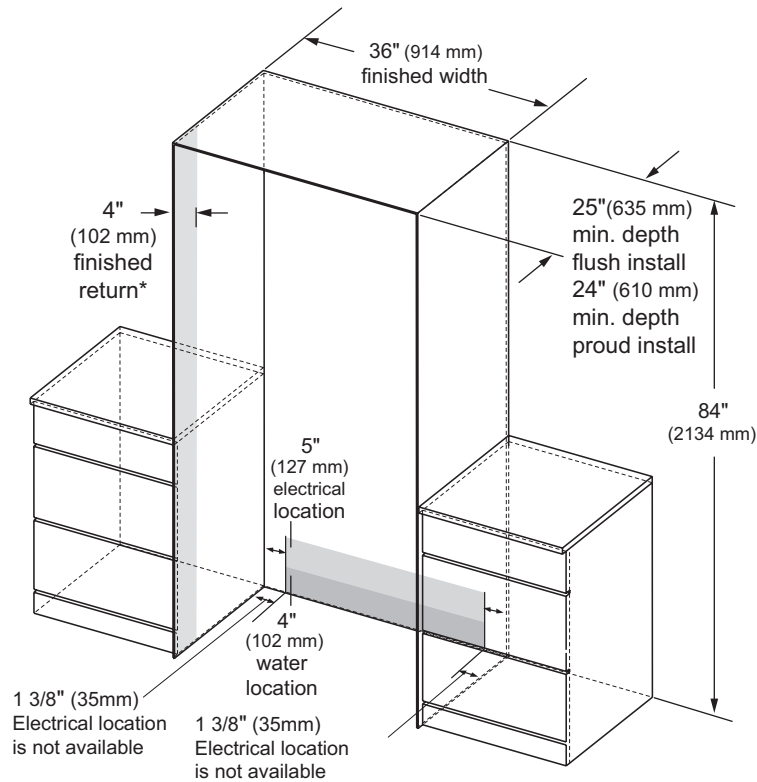
### **CAUTION**

- Connect the appliance to potable water only.
- A cold water connection is required for operation of the automatic ice maker. The water pressure must be between 20 and 120 psi. (138 - 827 kPa).
- The installation must comply with local plumbing regulations.
- A separate shut-off valve must be installed for the appliance water connection.
- Do not use a self-piercing valve.
- Do not install the shutoff valve for the water behind the appliance. The shutoff valve must be easily accessible.
- Install the water connection in the area shown in the diagram under Dimensions and Clearances. The water supply line can be located on the right side, on the left side, or in the floor. The maximum outer diameter of the supply line (without fittings) is 3/8" (9.5 mm).



## SKSFD3604P – 36" INTEGRATED FRENCH DOOR REFRIGERATOR

### CUTOUT DIMENSIONS – FLUSH OR PROUD INSTALLATION



#### NOTE

Refrigerator can be installed flush or proud.

Flush – With a 25" (635 mm) cutout depth, the front face of the freezer fits flush with 25" (635 mm) depth adjacent cabinets.

Proud – With a 24" (610 mm) depth cutout, the front face of the freezer extends approximately 3/4" (19 mm) beyond 24" (610 mm) depth adjacent cabinets.

- A minimum 4" (102 mm) finished return that matches the cabinet exterior is recommended on all sides and the top of the cutout opening. The shaded area will be visible after installation.

#### ELECTRICAL

A 115V, 60Hz, 15 or 20 amp power supply is required. An individual properly grounded branch circuit or circuit breaker must be used in case of requiring disconnect after installation. Install a properly grounded 3-prong electrical

receptacle recessed into the back wall. Electrical must be located on rear wall as shown.

Note: GFI (ground fault interrupter) is not recommended.

#### WATER LINE

A cold water supply is required for automatic icemaker operation.

The water pressure must be between 20 and 120 psi.

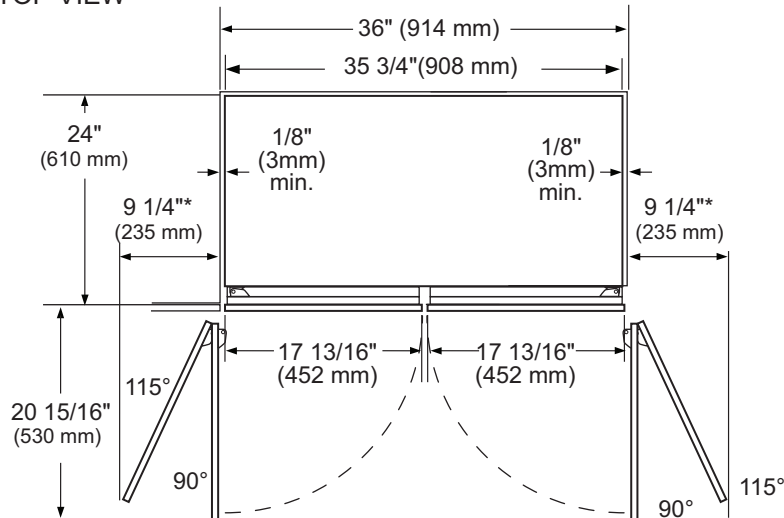
Tubing should be long enough to extend to the front of the freezer. Allow enough tubing to accommodate a bend leading into the water line connection.

Water line can enter an opening through the floor or back wall.

Install a shut-off valve between the icemaker water valve and the cold water supply in the home.

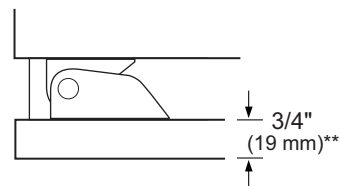
## INSTALLATION CLEARANCES

TOP VIEW



\*Door handle must be added to this dimension.

\*\*Varies depending on the thickness of the custom cabinet panel. 3/4" (19 mm) is relevant when using the Stainless Steel Door Panel Kit (optional accessory).



### NOTE

#### Door Swing Clearances

The installation must allow for clearances to adjacent walls or cabinets. This freezer is equipped with a 2-position door stop.

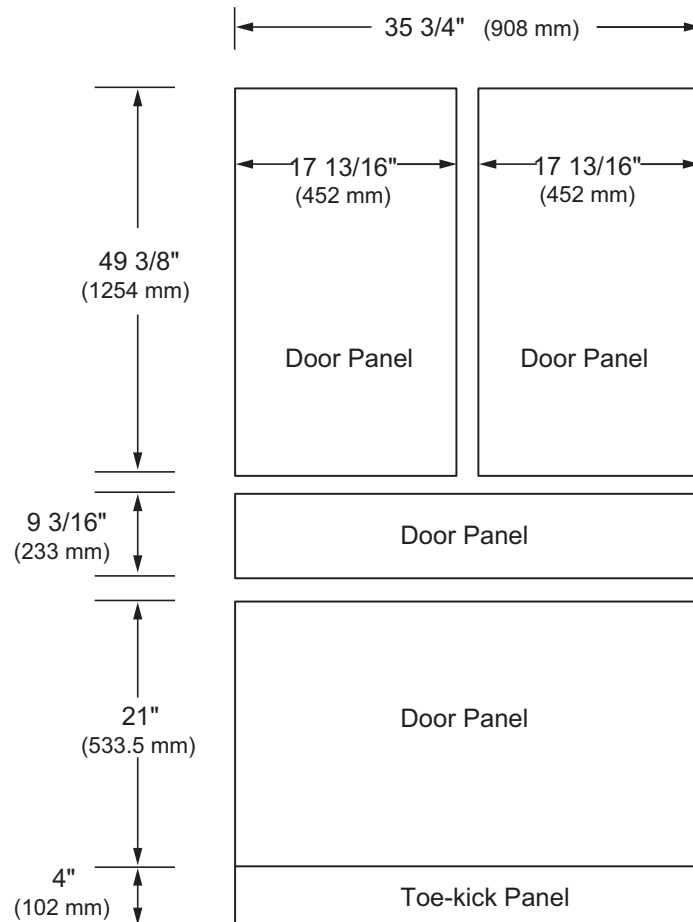
The factory-set 115° door swing can be adjusted to 90° if clearance to adjacent cabinets or walls is restricted.

#### Door Handle Clearances

The door handle depth must be added to the dimension where noted to determine the total clearance required from adjacent cabinets or walls. This clearance will vary depending on the custom handle used. When using Signature Kitchen Suite handles or the Signature Kitchen Suite stainless steel door panel kit with handles (optional accessories), the door handle clearance with the door open 115° is 12" (305mm).

# SKSFD3604P – 36" INTEGRATED FRENCH DOOR REFRIGERATOR

## 3/4" (19 MM) CUSTOM PANEL DIMENSIONS – FLUSH INSTALLATION



### NOTES

Trimmed units are designed to be customized with decorative panels. Field-installed 3/4" (19 mm) custom door panels are required.

For custom panels: Use templates provided with units to pre-drill holes for mounting panel brackets (provided with unit). Adjustment screws and instructions also provided with units.

The maximum total weight for custom panels for the 36" French Door model is 88 lb. For maximum weights for each panel, see the spec sheet.

### DESIGN TIPS

4" (102 mm) will be visible on the interior sides of the cutout. It is recommended that the interior of the enclosure be finished to match the exterior. For retrofit/replacement installations, the optional frame kit may be used.

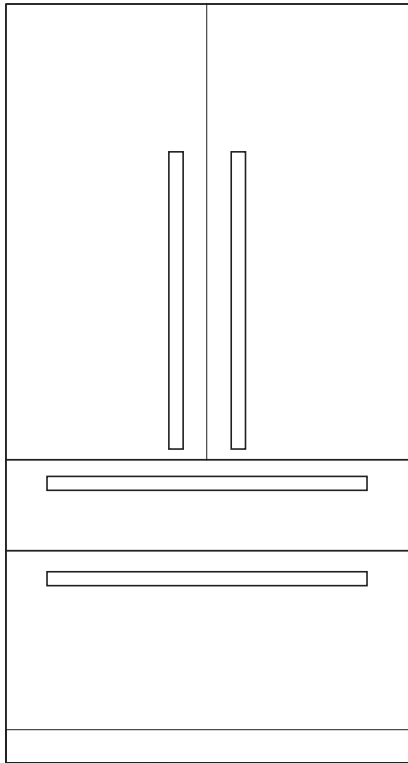
If using custom panels, a custom toe kick is required.

The bottom of the case is unfinished.

Door Handles: Handles are not included with the units.

Custom handles are required for installation. Brushed aluminum handles are available as an optional accessory.

## OPTIONAL ACCESSORIES – FLUSH OR PROUD INSTALLATION



### SKSPK360FS – STAINLESS STEEL PANEL KIT FOR 36" FRENCH DOOR REFRIGERATOR

This unit can be installed with an optional stainless steel panel kit. The kit includes two fresh food door panels, one convertible drawer panel, one freezer drawer panel, one toe kick, and four handles.

### SKSFK800CS – FRAME KIT

This unit can be installed in a 24" (610 mm) deep cutout with an optional frame kit. The kit includes two 80" (2032 mm) brushed aluminum side trim pieces. Each trim piece is 5" (127 mm) deep with a 1/8" (3 mm) front face.

### HANDLES FOR USE WITH CUSTOM PANELS

SKSHK310HS – 31 11/16" (805 mm) Medium Brushed Aluminum Handle

### DESIGN TIPS

The stainless steel panel kit may be used in a flush 25" (635 mm) cutout depth installation or in a proud 24" (610 mm) cutout depth installation.

The optional frame kit is recommended for retrofit/replacement installations where the existing cutout is 24" (610 mm) deep.

## Required Accessories and Tools


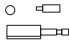


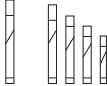
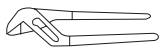


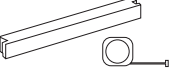

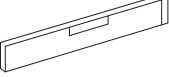
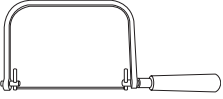
### Supplied Accessories

- Installation instructions
- Operating instructions
- Installation kit
- Water filter (included with refrigerator)

### Other

- Stepladder
- Dolly, hand truck
- Hammer drill for drilling holes in wall or floor.
- Drill bits in various sizes and suitable for materials
- Wood screws in different sizes
- Thin plywood sheet, particle board or cardboard to protect the floor from damage
- Suitable material for covering and protecting furniture (e.g. protective sheets)
- Adhesive tape

### Tools

	Cordless screwdriver
	Torx bit T20, T30 + magnetic holder (Provided)
	Torx screwdriver T20, T30
	6/16" (10 mm) hex nut driver
	Various drill bits
	Multigrip pliers
	Adjustable wrench
	Cutter with adjustable blade
	Metal tape measure, fold- ing rule
	Square
	Level, length 2' (60 cm) and 4' (1.2 m)
	saw to cut top trim pieces (for retrofit installation only)

# Installation

The following installation instructions describe the installation steps for various appliance types:

- Refrigerator units with water dispenser
- Freezer units with ice maker
- Integrated refrigerator and freezer units with water dispenser and icemaker

The diagrams may be a general representation of your appliance.

Particular reference is made to special installation steps for individual appliance types.

## Unpacking

### **⚠ WARNING**

To avoid serious injury or product damage:

- DO NOT open appliance door unless the product is secured against tipping.
- The appliance is very heavy and is prone to tipping if not secured.
- To avoid injury, use 2 or more people and proper lifting techniques when lifting or moving the appliance.

Check appliance for damage in transit.

Do not install the appliance if it is visibly damaged.

If in doubt, contact your dealer.

1. Remove the packaging carton, being careful not to damage the surface of the appliance.
2. To avoid floor damage, place packaging cardboard or plywood under the appliance.
3. Remove accessories on the sides and underneath the appliance.

### **NOTE:**

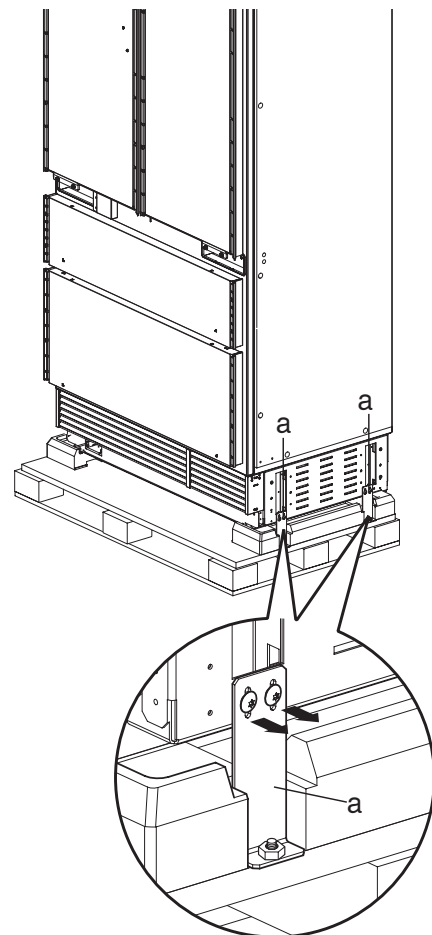
To avoid damaging parts, do not remove the protective shipping materials inside the appliance until the installation is complete.

4. Installation Preparation  
Unpack installation materials and accessories.  
To simplify installation, the packages are identified with labels A, B and C corresponding to the manual sections.

### **CAUTION:**

Appliance is very heavy. Use two or more people when lifting or moving the appliance.

5. Remove shipping brackets (a) and lift the appliance off the pallet.



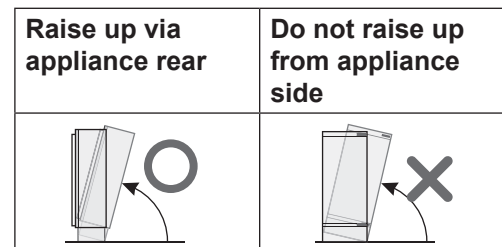
## Moving the Appliance

### ⚠ WARNING

- To avoid injury, use 2 or more people and observe proper lifting techniques when lifting or moving the appliance.
- If the appliance cannot be transported in an upright position, transport it horizontally.

#### To avoid product damage:

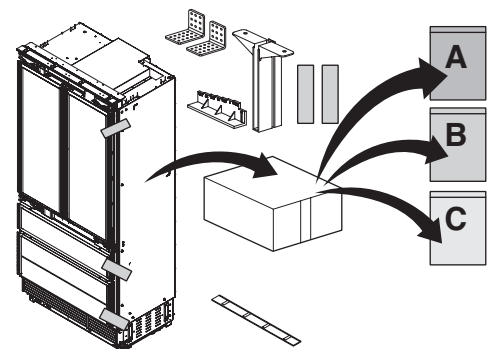
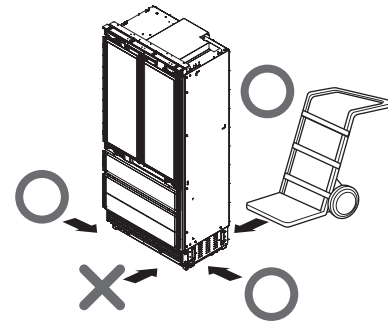
- Do not tilt the appliance toward the sides or lay it on its sides.
- Make sure there is sufficient room to stand the appliance upright before doing so.
- Use a dolly, lift truck or hand cart to transport the appliance.
- Transport from the rear side of the appliance **ONLY**.
- Secure the appliance during transport to prevent it from tipping.



## Special Circumstances

Before proceeding with your installation, check if any of the following special circumstances apply to your installation. If so, follow the relevant instructions in the Special Installations section before continuing the installation.

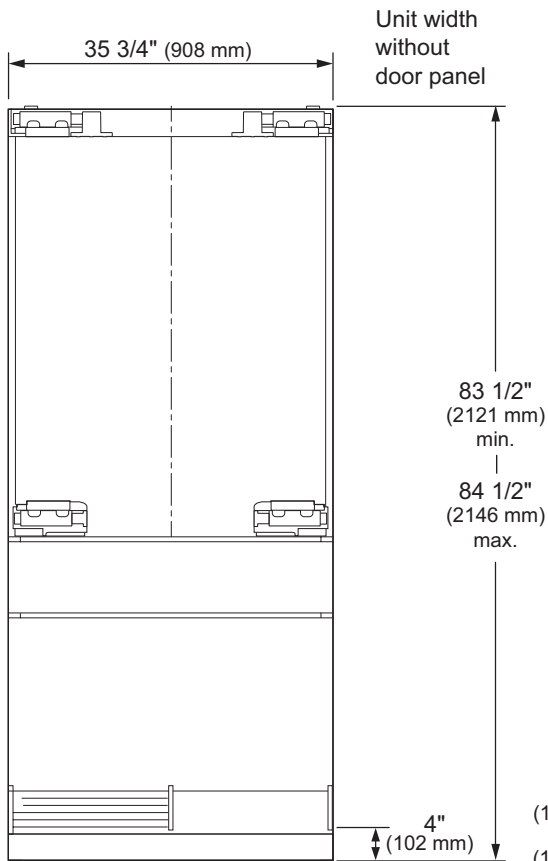
- Retrofit installation in existing enclosure: see Optional Frame Kit Accessory section.
- Reversing door swing: see Door Reversal section.
- Side-by-Side installation of 2 appliances: see Side-by-Side Installation section.



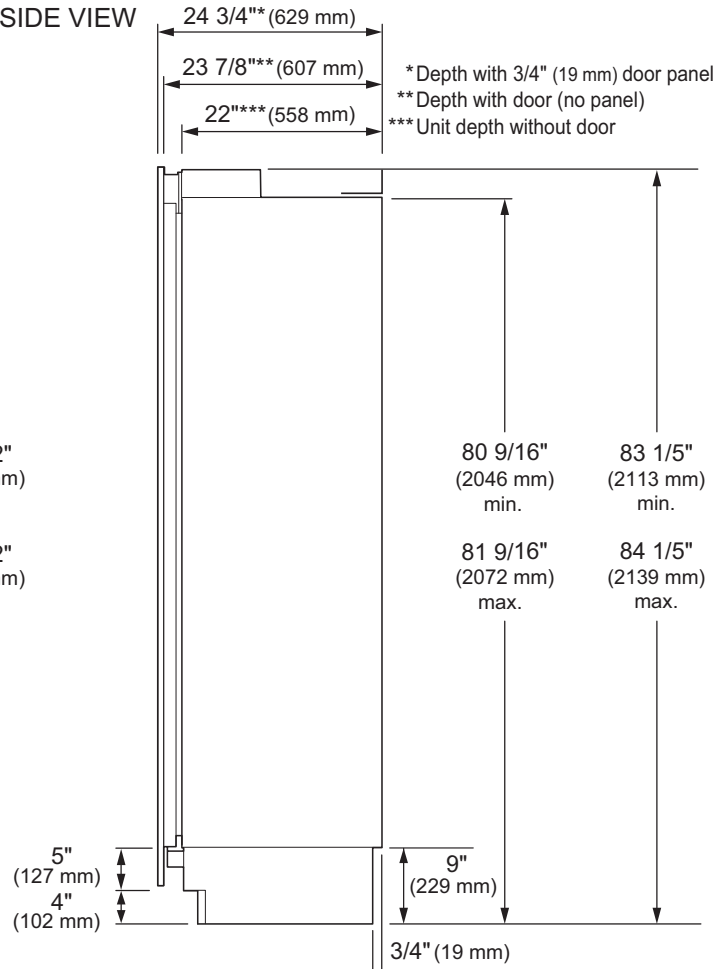
# Product Dimensions

## 36" Refrigerator/Freezer Column

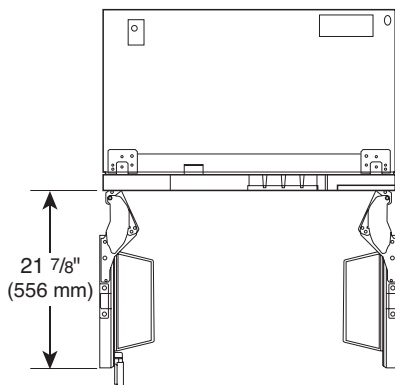
FRONT VIEW



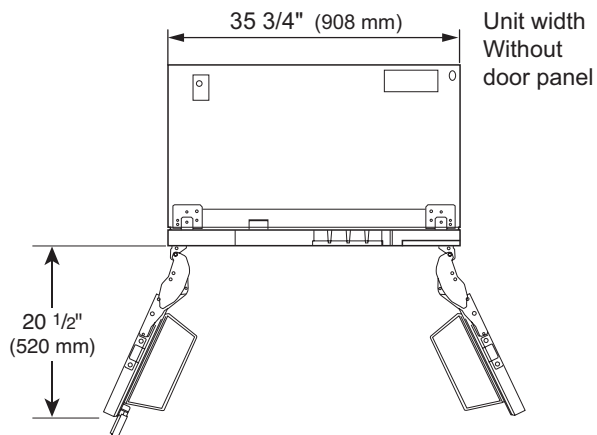
SIDE VIEW



TOP VIEW  
DOOR OPEN 90°



TOP VIEW  
DOOR OPEN 115°





**A**

# Installing the Anti-tip Brackets

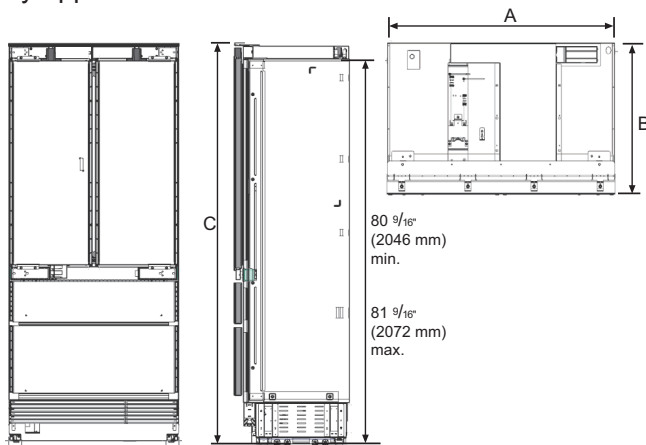
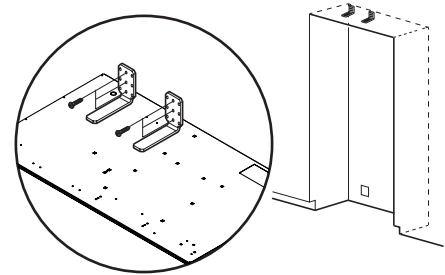
ENGLISH

## ⚠ WARNING

To avoid injury or damage, check for electrical wires or plumbing in walls before drilling or installing screws.

## ⚠ CAUTION

To avoid injury, observe all safety practices during installation, including wearing safety glasses and other safety apparel.



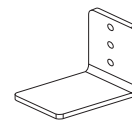
	36" Unit
A (Width)	35 3/4" (908mm)
B (Depth)	23 7/8" (607mm)
C (Height)	83 1/2" (2121mm) min.

## NOTE:

2 anti-tip-brackets are required for each appliance.

The anti-tip-brackets must overlap a minimum of 2 1/8" (54 mm) over the appliance to secure the appliance.

1. Install the anti-tip brackets at the rear of the enclosure, with the base of the brackets 3 5/16" from the top of the enclosure.
2. Make sure the anti-tip brackets are securely attached to a stud or other weight-bearing structure. Do not attach brackets to drywall, cinderblock, or uncured concrete. To ensure safety, at least one bracket must be attached to a stud. Attach brackets to studs wherever possible within the enclosure. Use a minimum of 3 screws or bolts to attach each bracket.



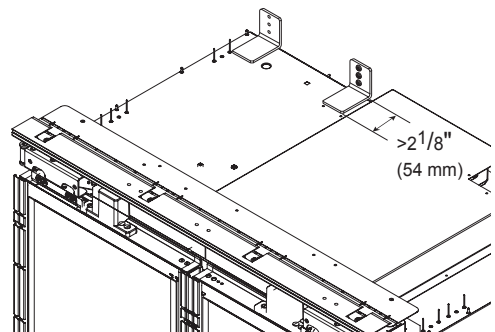
Anti-tip brackets (2)



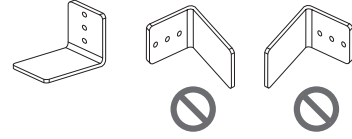
Concrete / Wood wall  
5X45 6X (Hex)



6x30 6X

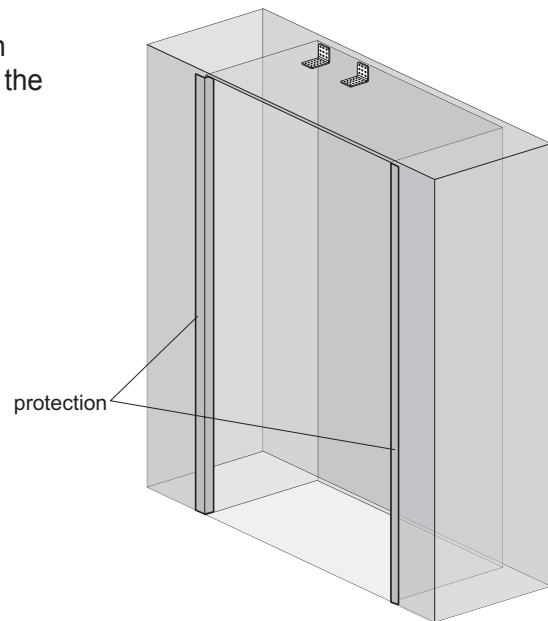


Brackets must be attached as shown at right. The brackets could fail to prevent tipover of the unit if installed in an alternate orientation.



## Protecting Edges of Enclosure

To protect the front edges of the enclosure, tape thin cardboard or some other protective material around the edges.



## Installing Appliance in Enclosure

### ⚠ WARNING

Use 2 or more people when installing the appliance. Take care when moving the appliance. It is very heavy and prone to tipping when not secured.

### ⚠ CAUTION

Take care to avoid damaging the water line or power cord when moving the appliance into the enclosure.

Before moving the unit into position, secure the door/ drawers closed and protect any finished flooring.

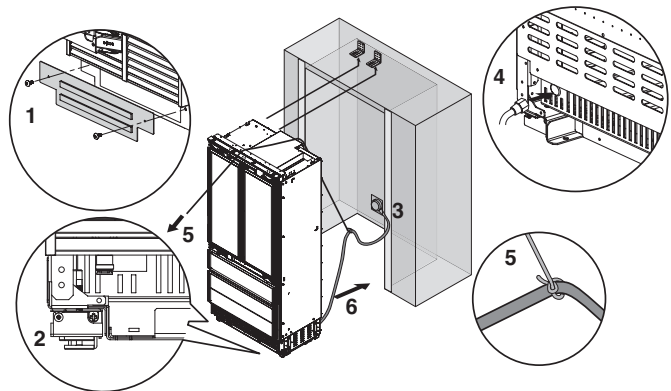
Use an appliance dolly to move the unit near the opening.

The front leveling legs are extended below the front rollers to improve stability during placement. Once the unit is placed in front of the opening, completely retract the front leveling legs to allow the unit to be rolled into position. Front and rear leveling legs can be adjusted from the front once the unit is positioned.

If the unit has been on its back it must stand upright for a minimum of 24 hours before turning on the power.

After the appliance is rolled into position, verify that the anti-tip brackets are properly engaged.

1. Remove the base panel.
2. Retract the leveling legs so the appliance can be wheeled forward.
3. Plug the power cord into the outlet.
4. Push the water line through the hole at the rear of the appliance until it emerges from the hole at the front of the appliance.
5. Tie a long string around the middle of the power cord. Feed the string over the top of the appliance, pull it until the power cord is held high off the ground, then tape the string to the front of the appliance to hold the power cord off the ground. Do not pinch or strain the power cord. Make sure it is still plugged in.
6. Carefully move the appliance into the enclosure, making sure not to pinch the power cord or water line under or behind the appliance.
7. Remove the edge protection on the enclosure.



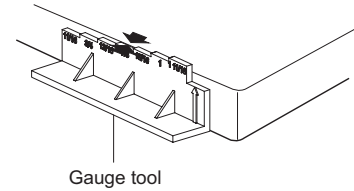
## Aligning and Leveling the Appliance

### DEPTH ADJUSTMENT

Adjust the depth of the unit in the enclosure so the door panels will fit flush with the surrounding cabinetry. Use the gauge tool provided for a precise fit.

**1. Measure the thickness of your decorative door panels using the gauge tool.**

Set the door panel on a flat, protected surface and place the gauge tool next to the panel. Mark the notch on the gauge tool that matches the thickness of the door panel.

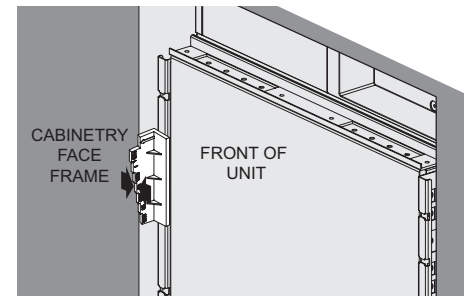


Gauge tool

Measure panel thickness

**2. Use the mark on the gauge tool to adjust the depth of the appliance in the enclosure.**

Place the gauge tool against the closed door of the appliance at the side of the enclosure. The marked notch on the gauge tool should align with the front edge of the enclosure.

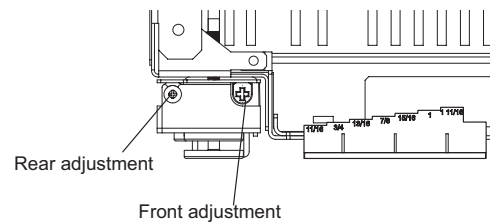


Align depth of unit

The front and rear leveling legs can both be adjusted from the front.

Front: Use 5/16" (8 mm) Philips driver with flexible shaft.

Rear: Use 5/16" (8 mm) Philips driver with flexible shaft.



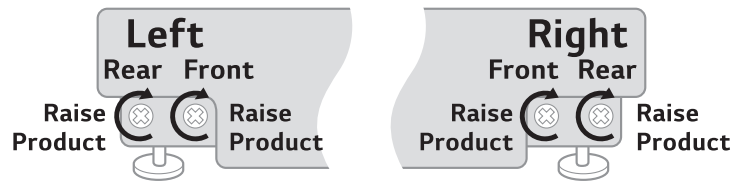
## **⚠ WARNING**

To reduce the possibility of the unit tipping forward, the front leveling legs must be in contact with the floor.

## **LEVELING**

Once the appliance is aligned properly in the enclosure, level it using the front and rear leveling legs.

1. Use a Phillips screwdriver to extend the front and rear leveling legs until they are in firm contact with the floor.



Leveling

2. Turn the screws as shown above to raise the appliance. Turn the screws in the opposite direction to lower the appliance.
3. Make sure the weight of the refrigerator is carried on the legs, not the wheels.
4. Use a smartphone leveling app or place a carpenter's level on the top and sides of the appliance to check that it is level and plumb. Or use the provided gauge tool to measure the distance of the bottom edge of the appliance from the floor at the front corners.

## **⚠ CAUTION**

- If using a power drill, use the lowest torque setting.
- Leave at least 3/8 inch (10 mm) between the top front of the appliance and the top of the enclosure to fit the top filler strip.
- Do not exceed 20 inch-pounds (2.25Nm) of torque.
- 20 revolutions equal 1/16" (2mm) of height adjustment.

## Attaching Appliance to Enclosure

### ⚠ WARNING

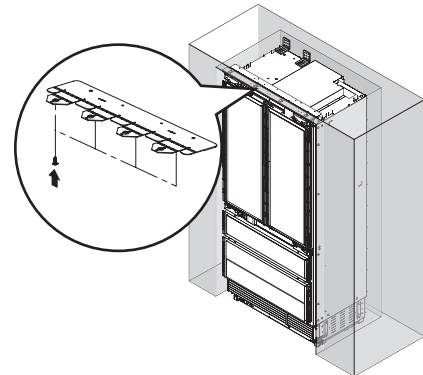
- To avoid tipovers, the appliance must be attached to the top of the enclosure.
- The top of the enclosure must be made of a solid material (not MDF) that is at least 5/8" (16 mm) thick.

1. Screw the lugs on the safety bracket at the top of the appliance to the top of the enclosure.
2. If there is a large gap between the top of the appliance and the top of the enclosure, insert a piece of wood between the lugs and the top of the enclosure to fill the gap.
3. Screw the side safety brackets to the sides of the enclosure.

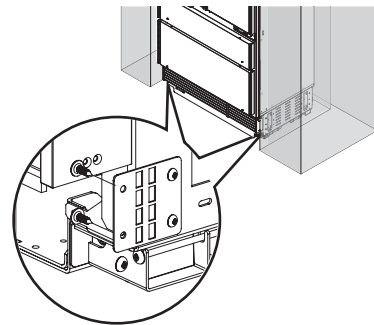
**NOTE:** If installing two appliances side-by-side, attach the appliances to each other using the unification kit. Attach them to the sides of the enclosure as if they were one unit.

4. Slide the top piece from the front filler assembly (a) in at the top of the appliance until it engages with the top safety bracket.
5. Once the top piece of the filler assembly is in place, slide the base of the filler assembly in under it and snap the top into the base (b).

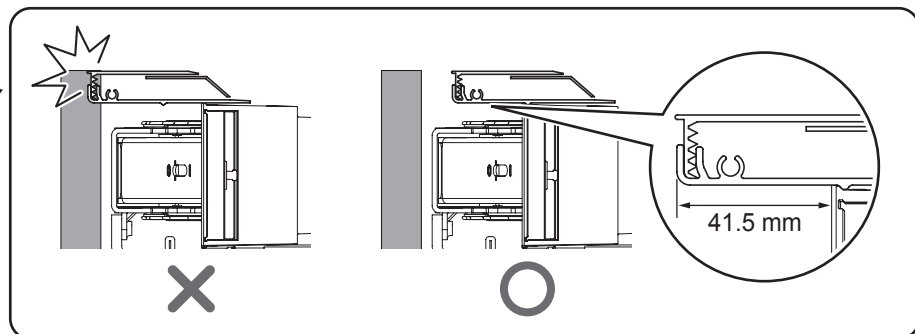
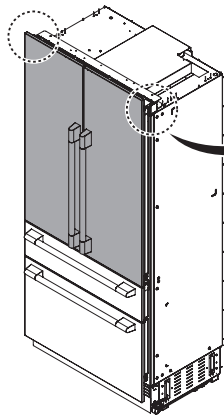
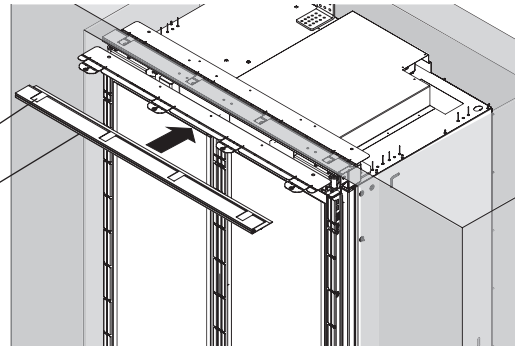
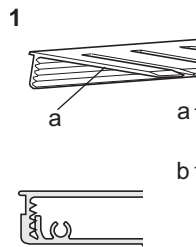
**NOTE:** If installing two appliances side-by-side, attach both top covers using the bolt found in the accessories package.



 4X15 4X



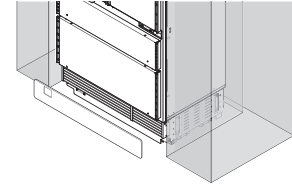
 4X15 4X



## Attaching the Toe Kick Panel

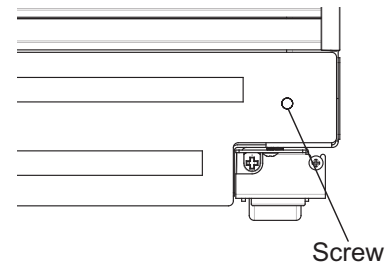
### **⚠ CAUTION**

To avoid damage to the appliance, do not block the ventilation slots in the base panel.



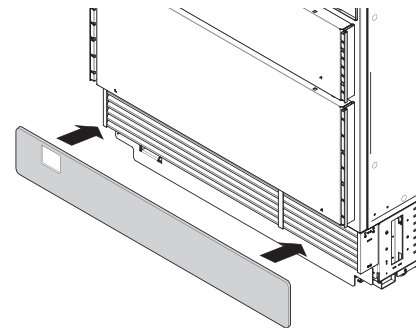
### **Stainless Toe Kick Panel (Optional Accessory)**

1. Screw the base panel to the appliance.
2. Remove the protective film from the adhesive on the provided magnetic strips.
3. Stick the magnetic strips to the back of the stainless toe kick panel.
4. Attach the stainless toe kick panel to the base panel using the magnetic strips.



### **Wood Toe Kick Panel**

1. If necessary, trim wood panel to fit width of enclosure.
2. Screw the base panel to the appliance.
3. Remove the protective film from the adhesive on the provided magnetic strips.
4. Stick the magnetic strips to the back of the wood toe kick panel.
5. Attach the wood toe kick panel to the base panel using the magnetic strips.

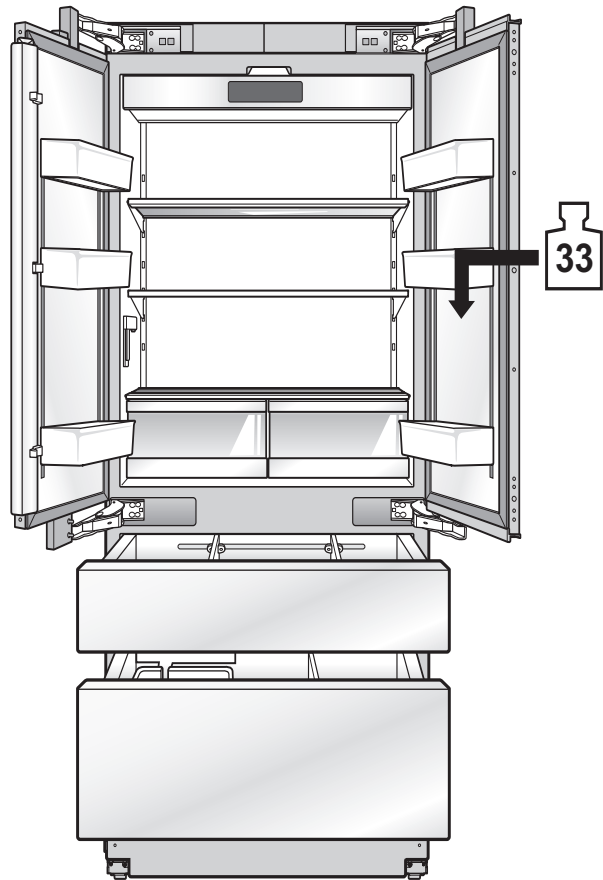


## Loading the Appliance Door

For precise results, before attaching the door panels, load the door bins with weights to ensure the gap width remains correct after food is stored in the door.

Recommendations:

- 36" Appliance: 33 lbs / 15 kg





## C

## Installing Door Panels

Typical panel dimensions are based on an 84" (213.4 cm) finished height with 1/8" (3.2 mm) reveals. Template placement must be adjusted for panels exceeding typical dimensions.

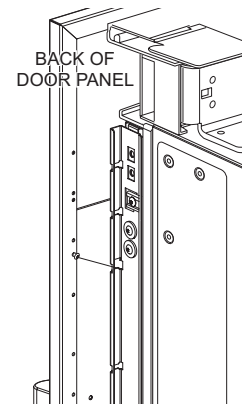
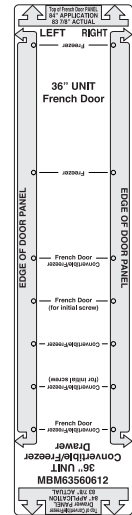
The door panels should be installed first, followed by the upper then lower drawer panel, if needed.

1. Place the door panel face down on a protected surface.
2. Locate the correct side of the door panel template for your product and position the template flush with the top and left sides of the panel.
3. Use the template to mark the correct screw locations on the back of the panel.
4. Slide the template to the right so it is flush with the top and right sides of the panel.
5. Use the template to mark the correct screw locations on the back of the panel.
6. Begin inserting a #8 x 1/2" screw into the fifth hole from the top on each side. Stop when the screws are 3/16" (4 mm) proud of the panel. These will be the support screws during the panel installation.
7. Insert the support screws in the slotted holes on the appliance door mounting brackets so that the panel is hanging on the door.

### TOP DOOR PANEL



### BOTTOM DOOR PANEL



Mounting door panel

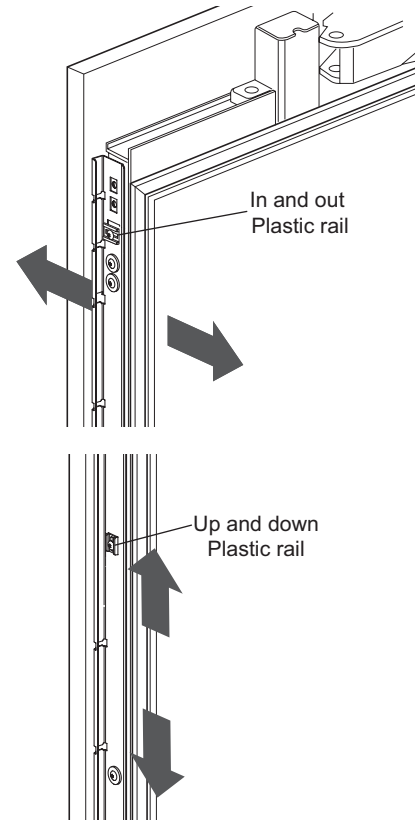
## CAUTION

Beware of pinch points when installing door panels or opening and closing doors.

## Adjusting Door Panels

Fine adjustments can now be made to align the door panels.

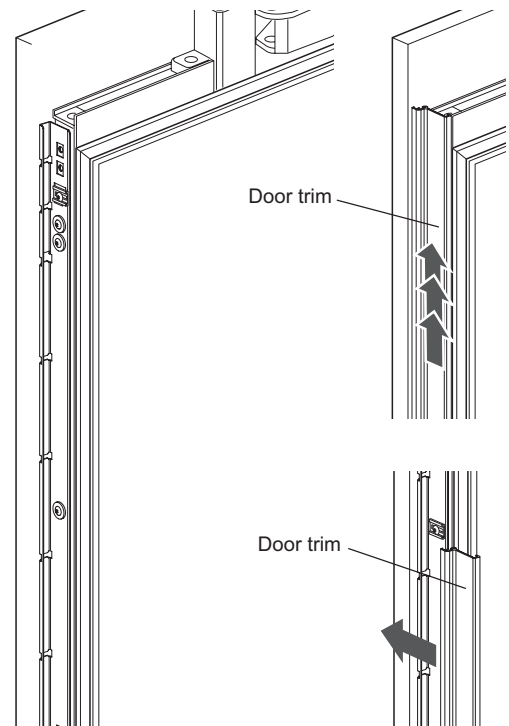
1. To adjust the door panel horizontally, slide the panel support screws left or right in the slotted holes as desired. Have an assistant hold the panel in place while you tighten the support screws and insert and tighten all remaining mounting screws.
2. To adjust the door panel vertically or back and forward, loosen the screws in the appliance door bracket. Move the plastic rails to make adjustments as desired. Have an assistant hold the bracket in place while you tighten all the bracket screws.



## Installing Door Trim

After panels have been adjusted, install the decorative side trim on the doors.

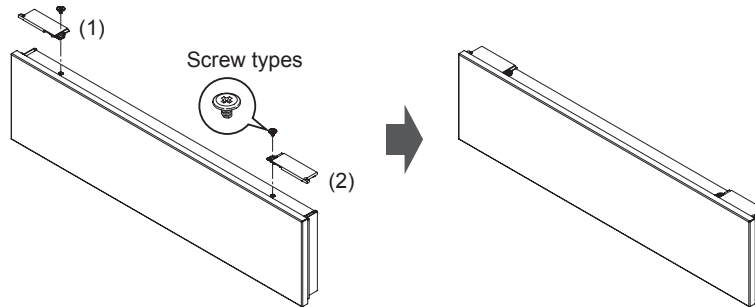
To install, start at the middle and align the trim with the front and rear flanges on the bracket, then snap into place by pushing the trim toward the back of the panel. Once the middle is secure, continue the installation upward until the remaining trim is completely secure.



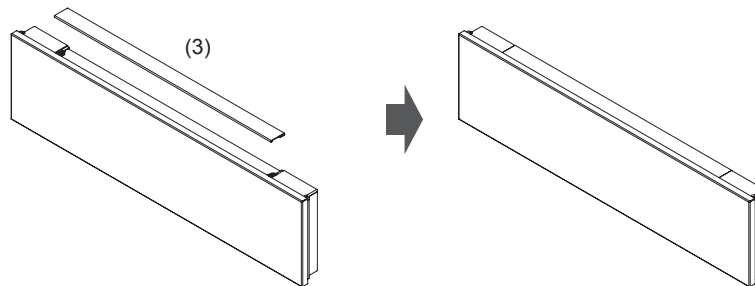
## Installing the upper trim (finish) for the convertible chamber/freezer compartment doors

After installing the side door trim (finish), install the upper trim (finish) for the convertible chamber/freezer compartment doors.

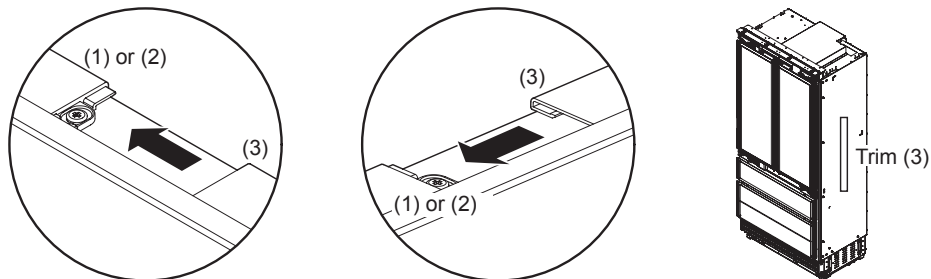
- Using the provided installation component screws, secure trims (finish) (1) and (2) to the left and right sides.



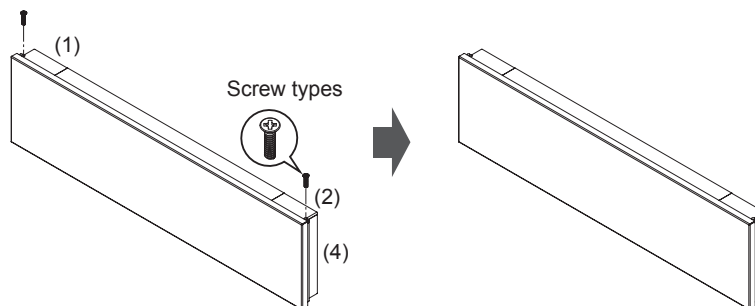
- Insert trim (3) into trims (1) and (2) and secure it. However, when securing trim (3), remove the double-sided tape separator attached to trim (3) and push it into trims (1) and (2) to secure it.



**Note:** Insertion direction for trim (3)



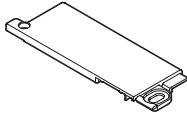
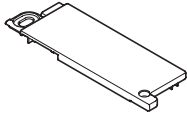
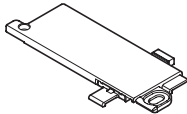
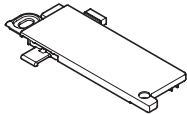
- Using the provided installation component screws and door trim (4), secure trims (1) and (2).



- After installing the trims (finishing material), check the intervals and steps between the trims and finely adjust them.

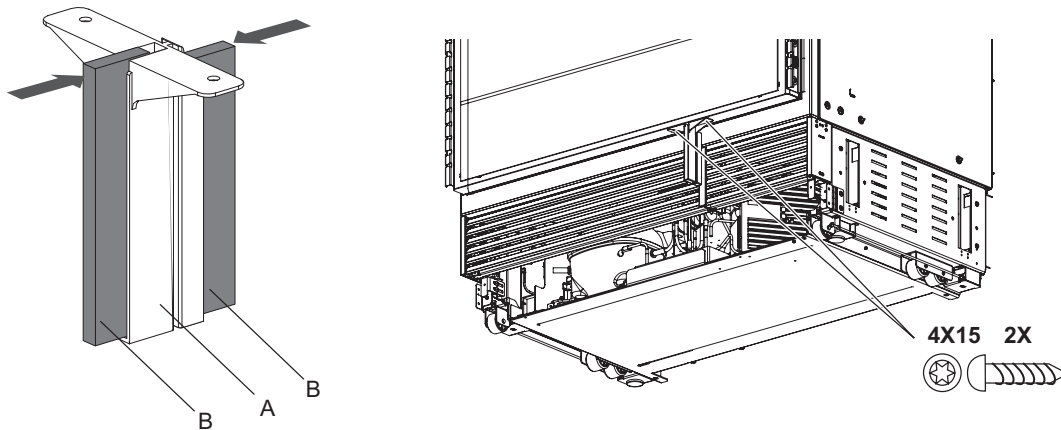
## ⚠ CAUTION

- If you purchased the stainless steel panel kit (CP-D36R.AKOR) for the 36" French Door Refrigerator, an optional accessory, the upper trims (finishing material) of the convertible chamber and freezer compartment doors, (1) and (2), will be different. However, the installation method is the same. Check the above installation method and install the upper trim (finishing material) of the door.
- Trims (1) and (2) are different because the stainless steel freezer panel is equipped with an easy open handle that makes it easy to open the freezer door.

	Trim (1)	Trim (2)
<b>Convertible chamber trim</b>		
<b>Freezer compartment trim</b> <ul style="list-style-type: none"> <li>• This only applies if you have purchased the optional accessory.</li> </ul>		

## Attaching Air Separator

Assemble A with B and attach on bottom front center of door.

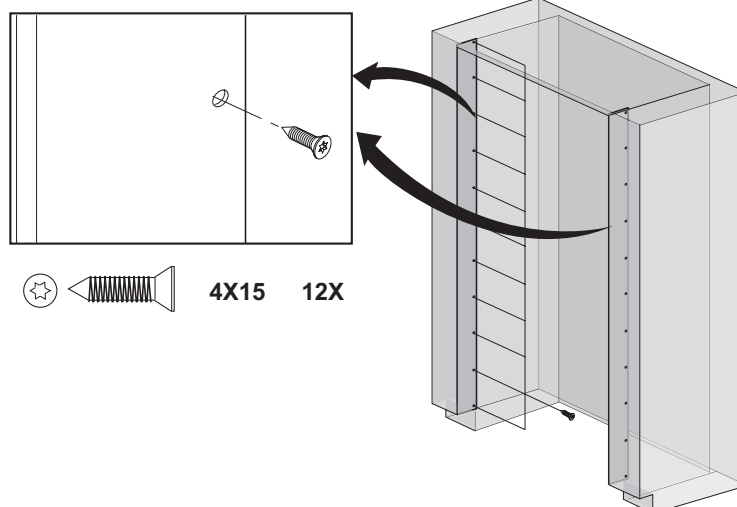


## Special Installations

### Optional Frame Kit Accessory

Purchase and install the optional frame kit for retrofit side-by-side installations. The kit includes stainless trim pieces to cover the front edges inside the enclosure. See detailed installation instructions with the kit.

Attaching side trim for retro fit



## Adjusting the Door Spring

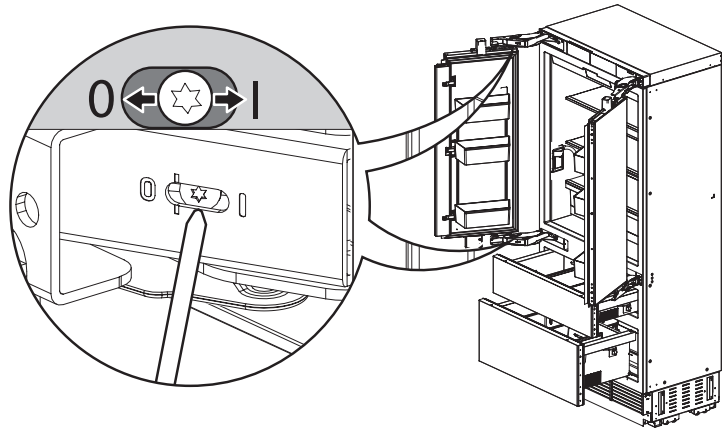
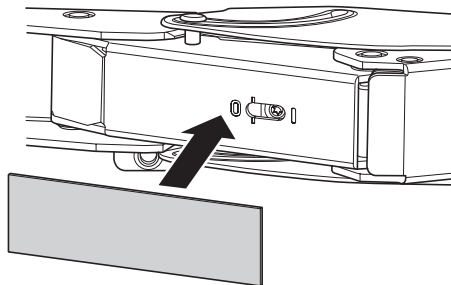
Rotate the adjusting screw with the T20 bit provided.

I = maximum spring tension

0 = no spring tension

Maximum spring tension is recommended.

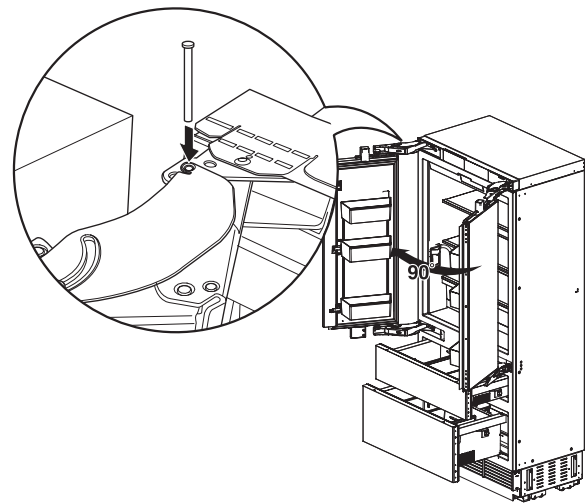
(Optional) After adjusting the door spring, attach the gray plastic sheets to hide the adjusting screws.



## Adjusting the Door Stop

The default door stop position is 115°. Follow these instructions to change the door stop position to 90°.

1. Open the door to 90°.
2. Insert the door stop pin in the holes which are now aligned at the back of the hinge. Use a rubber mallet to fully insert the pin.

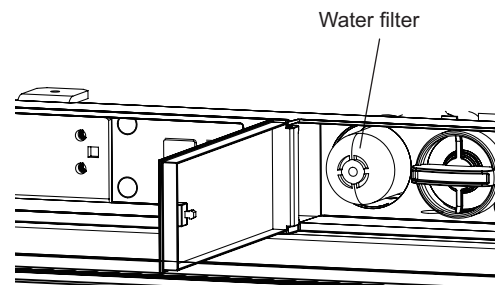


## Water Filter Bypass

Removing the water filter automatically puts the appliance in the filter bypass mode. This allows the appliance to be run without a water filter.

### Removing the Water Filter

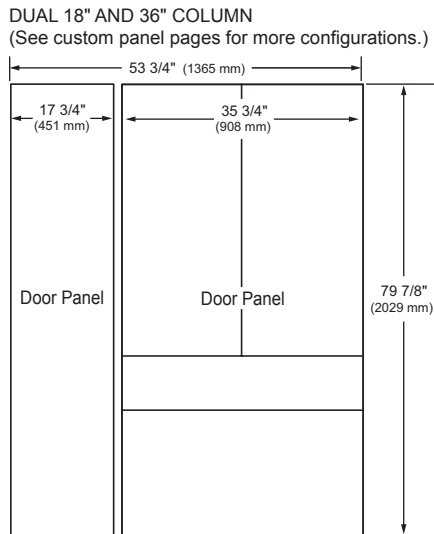
1. Push in slightly on the water filter access door to open it.
2. Use the cap to rotate the water filter counterclockwise and pull out the water filter. See the owner's manual for detailed instructions.



## Side-by-Side Flush Installation

### FLUSH INSTALLATION CLEARANCES

**NOTE:** When installing products with a partition between them, follow the standard installation. The minimum size of the partition is 6" (15.2 cm) to avoid interference between the doors.



**NOTE:**

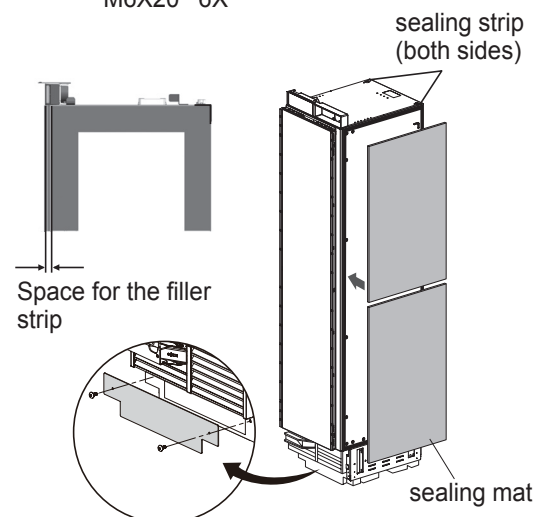
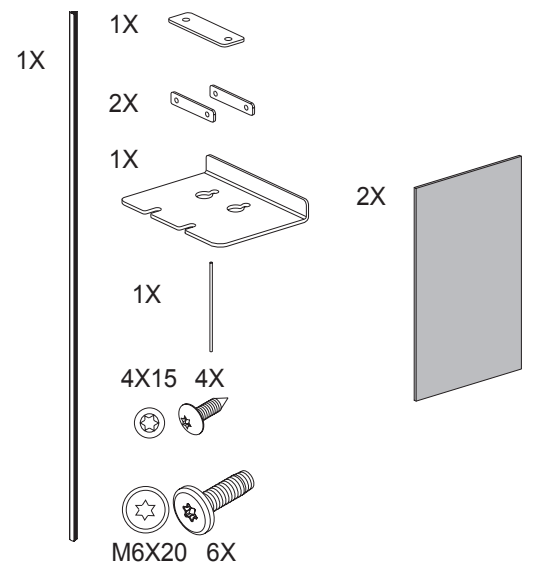
When installing 2 side-by-side products with one left and one right door swing, 1/16" (2 mm) clearance is required between the products. This applies to both new installations and retrofit installations.

In a side-by-side flush installation, a unification kit must be used to seal the appliances together. A unification kit is included with all column freezers. The kit contains a sealing mat which helps prevent condensation from forming between the two appliances.

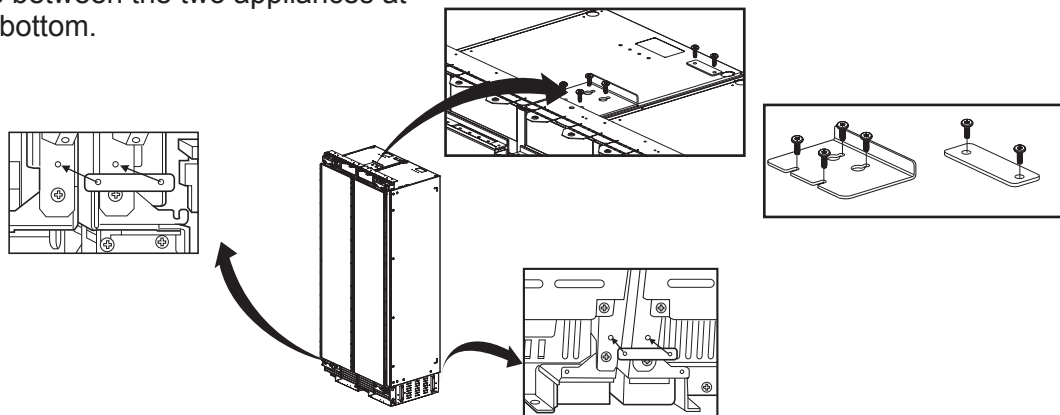
1. Unpack the unification kit and make sure no accessories are missing.
2. Place appliances near to each other in the intended installation configuration.
3. Remove the base panels from both appliances.
4. Attach the included sealing mat on the side of the freezer that faces the refrigerator. (The sealing mat should be between the two appliances after they are connected.)

Install the gray sealing mat over the preinstalled black sealing strips so that the edge of the mat is flush with the back edge of the freezer. This will leave a small space free at the front edge to fit the filler strip between the two appliances.

Additional unification kits can be purchased from Signature Kitchen Suite (part number SKSFJ800P).



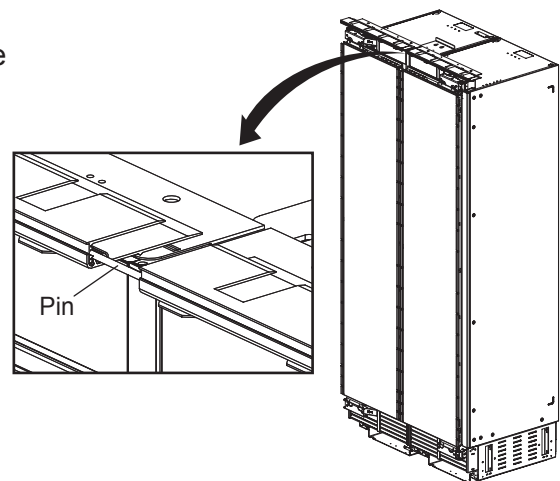
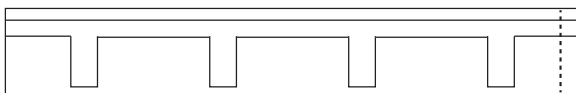
5. Place the appliances right next to each other. Attach the two appliances together by installing connection brackets between the two appliances at top and bottom.



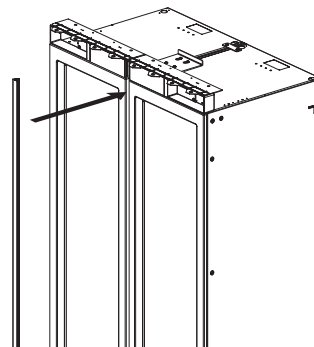
6. Insert the provided pin into both cover rails at the top of the combined units.

**NOTE:**

If retrofit installing 18" and 36" columns in a 53 1/2" wide enclosure, trim 1/4" off of one side of both cover rails.



7. Insert the filler strip in the space between the appliances. The filler strip is included with the unification kit.





## Precautions for Panel Installation

### NOTE :

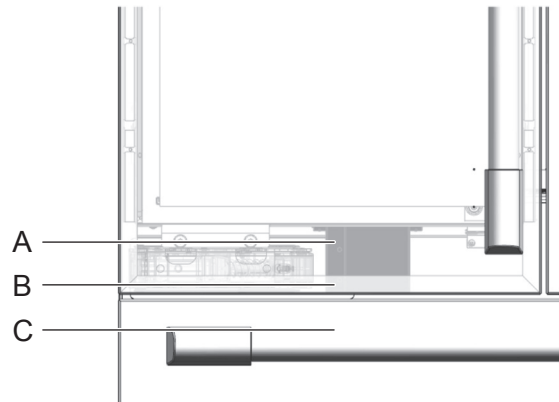
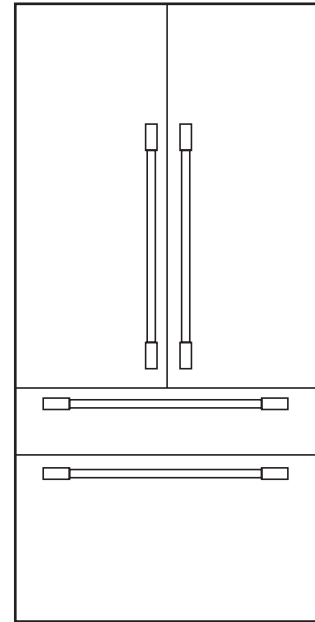
The spacing between the connector and the panel is important.

- A : Refrigerator Room Panel
- B : Connector
- C : Convertible Room Panel

### Gap

1. Lower of A - Lower of B : 1.8 mm
2. Lower of B – Upper of C : 6.8 mm

Even if you do not follow the above dimensions, B must be installed so that it does not reach the lower end of A.

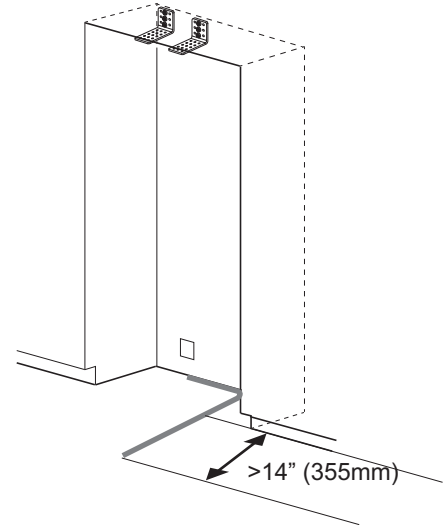


## Preparing to Connect the Water Line

### NOTE:

Turn off the main water shutoff valve to prevent flooding and property damage.

Install the water line.  
Always observe the indicated dimensions to prevent damage to the water line when pushing in the appliance

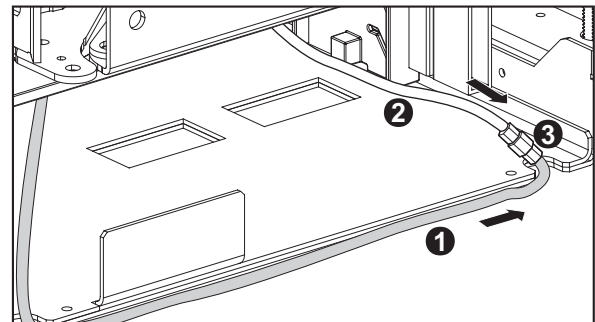
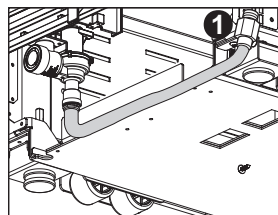
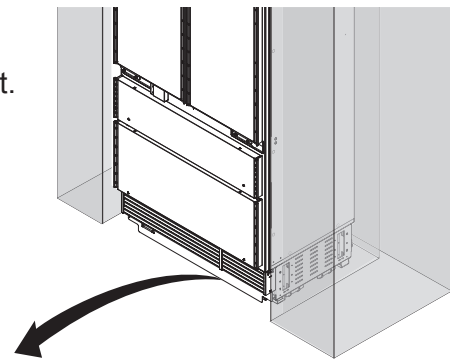


## Connecting Water Line

### NOTE:

When bending the water line, do not kink it, otherwise there is a risk of leaks and water damage.

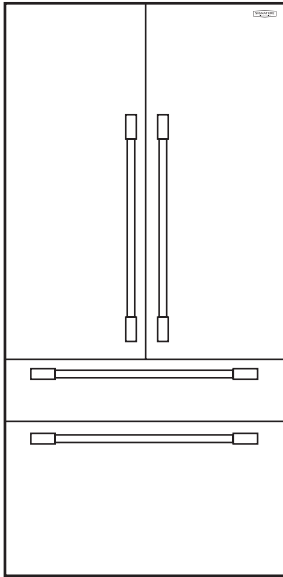
1. Remove the cap from the appliance connection (1).
2. Bend the water line according to the location of the connection on the appliance (2).
3. Push the union nut and seal onto the water line.
4. Push the end of the water line into the appliance connection and screw on the union nut (3). Tighten hand-tight.
5. Using the open-ended wrench, tighten the union nut. Do not overtighten.



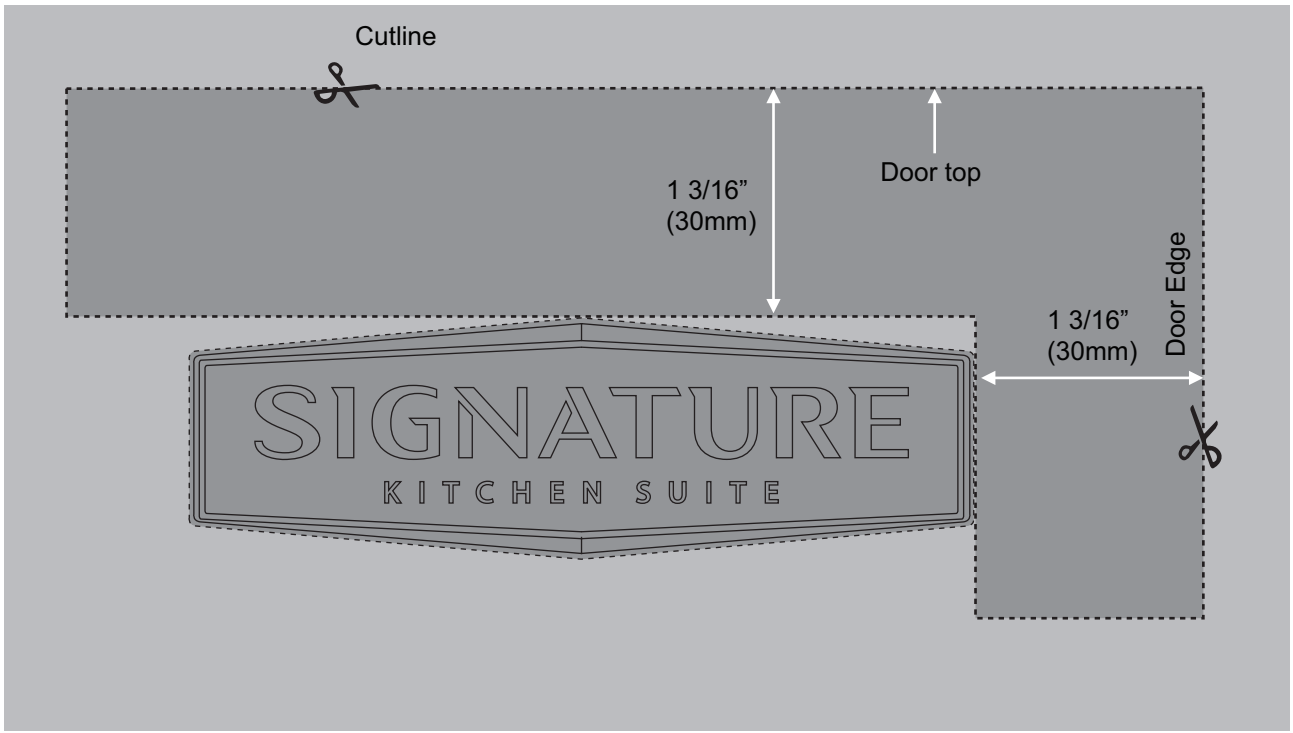
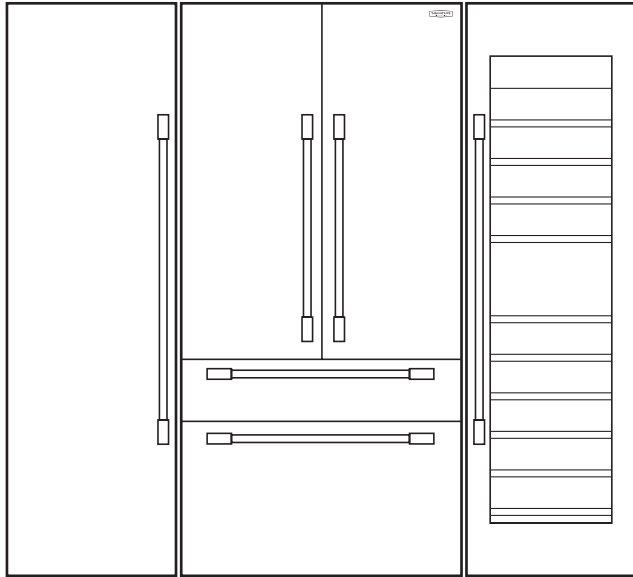
# Attaching the Badge

- To install the badge, trace or cut out the template below and place it according to the panel layouts below.
- Align the template at the top corner nearest to the hinge and place the badge.

36" UNIT



36" UNIT and Column for continuous installation : Column is not applied of badge.







FRANÇAIS

# Guide d'installation de Réfrigération Intégrée

## RÉFRIGÉRATION INTÉGRÉE

SKSFD3604P

[www.signaturekitchensuite.com](http://www.signaturekitchensuite.com) (USA)  
[www.signaturekitchensuite.ca](http://www.signaturekitchensuite.ca) (CANADA)

MFL67410815\_Rev.05

Copyright © 2018 - 2020 SIGNATURE KITCHEN SUITE. Tous Droits Réservés.

# Tables des Matières

## CONSIGNES DE SÉCURITÉ..... 3

### Avant l'installation ..... 6

Choisir l'emplacement d'installation ..... 6

SKSFD3604P - RÉFRIGÉRATEUR AVEC PORTE  
FRANÇAISE INTÉGRÉE 36 po ..... 9

Accessoires et outils nécessaires ..... 13

### Installation ..... 14

Déballage ..... 14

Déplacer l'appareil ..... 15

Circonstances particulières ..... 15

Dimensions du produit ..... 16

## A

Installation des supports anti-basculement ..... 17

Protéger les bords de l'enceinte ..... 18

Installation de l'appareil dans l'enceinte ..... 19

## B

Alignement et mise à niveau de l'appareil ..... 20

Fixation de l'appareil à l'enceinte ..... 22

Fixation du panneau de coup de pied ..... 23

Chargement de la porte de l'appareil ..... 24

## C

Installation des panneaux de porte ..... 25

Ajustement des panneaux de porte ..... 26

Installation de la garniture de porte ..... 26

Installation de la garniture supérieure ( finition )  
des portes du compartiment convertible et du  
congélateur ..... 27

Fixation du séparateur d'air ..... 29

## ◆ Installations spéciales

Accessoire du kit de cadre en option ..... 29

Réglage du ressort de la porte ..... 30

Réglage la butée de porte ..... 30

Dérivation du filtre à eau ..... 30

Installation de rinçage côte à côte ..... 31

Précautions d'installation du panneau ..... 33

Préparation de la connexion de la ligne d'eau .. 34

Connexion de la ligne d'eau ..... 34

Fixer l'insigne ..... 35

# CONSIGNES DE SÉCURITÉ

## IMPORTANTES CONSIGNES DE SÉCURITÉ

Ce guide contient de nombreux messages de sécurité importants.

Toujours lire et respecter les consignes de sécurité.

Ceci est le symbole d'alerte de sécurité. Il vous avertit en cas de messages de sécurité qui vous informent des dangers qui peuvent vous tuer ou vous blesser ou blesser d'autres personnes ou endommager le produit.

Tous les messages de sécurité seront précédés du symbole d'alerte de sécurité et du mot d'avertissement de danger AVERTISSEMENT ou PRÉCAUTION. Ces mots signifient:

**⚠ AVERTISSEMENT** Vous pourriez être tué ou gravement blessé si vous ne suivez pas les instructions.

**⚠ PRÉCAUTION** Indique une situation dangereuse imminente qui, si elle n'est pas évitée, peut entraîner des blessures mineures ou modérées ou endommager le produit.

Tous les messages de sécurité identifieront le danger, vous indiqueront comment réduire le risque de blessure et vous diront ce qui peut arriver si les instructions ne sont pas suivies.

### ⚠ AVERTISSEMENT

#### DANGER DE BASCULEMENT

Utiliser deux personnes ou plus pour déplacer et installer le réfrigérateur. Pour éviter que le réfrigérateur ne bascule, installer des supports anti-basculement (fournis). Le non-respect des instructions d'installation du réfrigérateur peut entraîner des blessures graves ou la mort.



### ⚠ AVERTISSEMENT

Afin de réduire les risques d'incendie, d'électrocution ou de blessures lors de l'utilisation du produit, des précautions de sécurité de base doivent être suivies, y compris les points suivants. Lire toutes les instructions avant d'utiliser cet appareil.

### ⚠ AVERTISSEMENT

Ce produit contient des produits chimiques reconnus par l'État de Californie comme cancérigènes, à l'origine de malformations congénitales ou d'autres problèmes de reproduction. Se laver les mains après toute manipulation.

## Installation

- Ces produits ne sont pas conçus pour être utilisés comme unités autonomes. Cela entraînerait un risque de basculement, de blessure corporelle et de dommage au produit ou aux biens.
- Ne pas installer le réfrigérateur près d'une cuisinière à gaz, d'un chauffe-eau ou d'une autre source d'inflammation pouvant fuir du gaz. Ne pas installer le produit à la lumière directe du soleil. Installer le produit dans un endroit bien ventilé.
- S'assurer que les dimensions de l'enceinte permettent une circulation d'air suffisante sur les côtés et à l'arrière du produit. Ne pas bloquer l'entrée d'air avant. Le non-respect de ces instructions peut entraîner un dysfonctionnement du produit.
- L'enceinte doit être construite avec des matériaux suffisamment solides pour éviter les dommages pendant l'installation et l'utilisation fréquente.

- Les matériaux de l'armoire doivent pouvoir résister à la chaleur et à l'humidité produites pendant le fonctionnement du produit et doivent être utilisés sans torsion ni déformation.
- Installer le produit sur une surface plane et ferme pouvant supporter le poids du produit sans flexion. Le produit doit être nivelé horizontalement et verticalement.
- Tenir les enfants éloignés de la zone pendant l'installation.
- Ne pas utiliser de rallonge ou de multiprise avec ce produit.
- Ne pas installer pas le réfrigérateur dans un endroit humide ou exposé à l'eau courante. Une détérioration de l'isolation des pièces électriques peut en résulter, entraînant un risque de choc électrique.
- Se connecter à l'eau potable seulement. L'eau non potable peut entraîner des risques pour la santé.
- Si connecté à un circuit protégé par des fusibles, utiliser un fusible temporisé.

## Raccordement électrique

### Utiliser une prise dédiée.

- Brancher plusieurs appareils dans une seule prise peut provoquer un incendie.

### Brancher la fiche d'alimentation avec le cordon d'alimentation vers le bas.

Ne pas le faire pourrait endommager la prise ou le cordon, ce qui pourrait provoquer un incendie ou un choc électrique.

### Lors de l'installation ou du déplacement du réfrigérateur, veillez à ne pas vous retourner ou endommager le cordon d'alimentation. Ne pas serrer et ne pas écraser le cordon ou la prise lorsque vous poussez le réfrigérateur.

Cela pourrait entraîner un incendie ou un choc électrique.

### Do not allow the power cord to be bent, crushed, or damaged. Do not run the power cord under heavy objects like furniture, other appliances, or through high-traffic areas.

Cela pourrait endommager le cordon d'alimentation et provoquer un incendie ou un choc électrique.

### Ne pas modifier la longueur du cordon d'alimentation.

Utiliser uniquement une pièce de rechange exacte d'usine pour éviter les problèmes électriques, l'incendie ou les chocs électriques.

### Couper l'alimentation avant de nettoyer ou de déplacer le réfrigérateur.

- Ne pas le faire peut provoquer un choc électrique ou des blessures.
- Appuyer sur le bouton MARCHE pendant 3 secondes pour éteindre le panneau d'affichage.

### Ne pas tirer sur le cordon et ne pas toucher la prise d'alimentation avec les mains mouillées.

Cela peut provoquer un choc électrique ou des blessures.

### Retirer l'eau ou la poussière de la fiche d'alimentation et l'insérer fermement dans la prise murale.

La poussière, l'eau ou une mauvaise connexion peut provoquer un incendie ou un choc électrique.

### Ne pas débrancher le réfrigérateur en tirant sur le cordon.

Doing so may cause electric shock or short circuit resulting in a fire.

### Ne pas utiliser le cordon d'alimentation ou la fiche d'alimentation si elle est endommagée ou si la prise est endommagée.

Cela pourrait provoquer un choc électrique ou un court-circuit entraînant un incendie.

### Attendre 5 minutes ou plus avant de reconnecter la prise ou de rallumer l'appareil.

Donner au compresseur le temps de cycle avant de redémarrer.



Afin d'écarter tout danger en cas de cordon d'alimentation endommagé, celui-ci doit être remplacé par le fabricant, son représentant ou toute personne de même qualification.

## **⚠ PRÉCAUTION**

**Ne pas retirer le couvercle du distributeur de glace automatique.**

Le mécanisme interne de la machine à glaçons peut causer des blessures si manipulé.

**Ne pas mettre vos mains sous le réfrigérateur.**

Les arêtes vives, les ventilateurs et les fils peuvent causer des blessures

**Conserver ces instructions pour l'utilisation de l'inspecteur local.**

**Respecter tous les codes et ordonnances en vigueur.**

**Installateur: Laisser ces instructions avec le consommateur.**

**Consommateur: Conserver ces instructions avec le manuel du propriétaire pour toute référence ultérieure.**

## **Généralités**

Ces instructions sont destinées pour une utilisation par des installateurs qualifiés. Toutes les connexions pour l'eau, l'alimentation électrique et la mise à la terre doivent être conformes aux codes et ordonnances locaux et doivent être effectuées par un personnel autorisé, au besoin. En l'absence d'un code local:

- ✓ Aux États-Unis, conformément au Code Electrique National, ANSI / NFPA70 - dernière édition / codes d'état et municipaux et / ou codes locaux.
- ✓ Au Canada, conformément au Code canadien de l'électricité C22.1 - dernière édition / codes provinciaux et municipaux et / ou codes locaux.

Réfrigérateur avec porte française 36 po approx. 532 lb / 241 kg

# Avant l'installation

## **⚠ AVERTISSEMENT**

Ne pas stocker ou installer l'appareil à un endroit où il sera exposé à (aux):

- influences météorologiques
- dégât des eaux
- températures inférieures à 32 ° F (0 ° C)

## **Choisir l'emplacement d'installation**

### **Température et humidité**

L'appareil doit être installé dans un endroit sec et bien ventilé.

La température ambiante doit rester entre 13 ° C (55 ° F) et 43 ° C (110 ° F) pour éviter les dysfonctionnements.

Ne pas installer le produit dans un endroit exposé à la lumière directe du soleil ou à proximité d'une source de chaleur, telle qu'un four ou un radiateur.

## **Dispositifs anti-basculement**

### **AVERTISSEMENT: Risque de basculement**

- L'appareil est très lourd et peut basculer si la porte est ouverte avant que l'appareil ne soit solidement installé.
- Installer les supports anti-basculement fournis pour éviter que l'appareil ne bascule. La méthode la plus sûre pour installer l'appareil dans une position stable consiste à utiliser les dispositifs anti-basculement fournis.
- Ne pas ouvrir la porte de l'appareil ou les tiroirs à moins qu'ils ne soient encore sur la palette ou que les supports anti-basculement ne soient engagés.

Si l'armoire est assez solide, la fixation de l'appareil aux parois supérieures et latérales de l'armoire peut fournir une stabilité supplémentaire, à condition que l'enceinte soit fermement connectée au mur arrière. En cas de doute, contacter un architecte ou un ingénieur en structure.

## Enceinte

- Le panneau au-dessus de l'appareil doit être fait à partir d'un matériau solide (pas de MDF) d'une épaisseur d'au moins 5/8" (16 mm).
- Les parois latérales de la cavité ou de l'enceinte doivent être encastrées.
- Les 4 pouces (100 mm) de la surface intérieure (retour des meubles) seront visibles lorsque les portes sont ouvertes. S'assurer que cette zone est finie à au moins 4 pouces de profondeur.
- Suivre les spécifications du boîtier d'installation pour garantir une installation sans problème.
- Surtout, l'enceinte ne peut pas être hors d'équerre. Utiliser un niveau à bulle ou mesurer les diagonales de l'ouverture pour vous assurer que les coins sont droits.
- L'appareil est fixé sur les côtés et le dessus de l'enceinte ou des armoires adjacentes. S'assurer que l'enceinte ou les armoires adjacentes sont solidement reliées aux structures du plancher ou du mur.

## Sol

### **⚠ AVERTISSEMENT**

- Le sol dans la zone d'installation doit être ferme, nivelé et rigide pour une installation sûre et une performance optimale.
- Ne pas installer l'appareil sur une plate-forme ou une structure surélevée.
- La structure sous l'appareil doit pouvoir supporter le poids de l'appareil sans basculer ou fléchir.
- Pour de meilleures performances et pour éviter les fuites, niveler l'appareil.

## Exigences électriques

### **⚠ AVERTISSEMENT**

Risque de choc électrique

- Brancher dans une prise à 3 fiches.
- Ne pas retirer la broche de mise à la terre.
- Ne pas utiliser d'adaptateur.
- Ne pas utiliser de rallonge.

Ne pas suivre ces instructions peut entraîner la mort, un incendie ou un choc électrique. Suivre tous les codes étatiques et locaux ou NEC.

L'appareil est livré avec un cordon d'alimentation à 3 fils homologué UL.

L'appareil nécessite un réceptacle à 3 fils.

Le réceptacle doit être installé uniquement par un électricien agréé.

## Mise à la terre

Cet appareil doit être mis à la terre. En cas de dysfonctionnement ou de panne, la mise à la terre réduit le risque de choc électrique en fournissant un chemin de moindre résistance au courant électrique.

### **AVERTISSEMENT**

Une mauvaise connexion du conducteur de mise à la terre de l'équipement peut entraîner un choc électrique. Faire vérifier l'appareil par un électricien qualifié ou un technicien d'entretien si vous avez des doutes concernant la mise à la terre de l'appareil.

### **REMARQUE**

Certaines réglementations locales peuvent exiger une mise à la terre séparée. Dans ce cas, le fil de mise à la terre, le collier et la vis nécessaires sont disponibles séparément et doivent être achetés séparément.

Ne jamais mettre l'appareil à la terre sur des conduites de plomberie en plastique, des conduites de gaz ou des conduites d'eau.

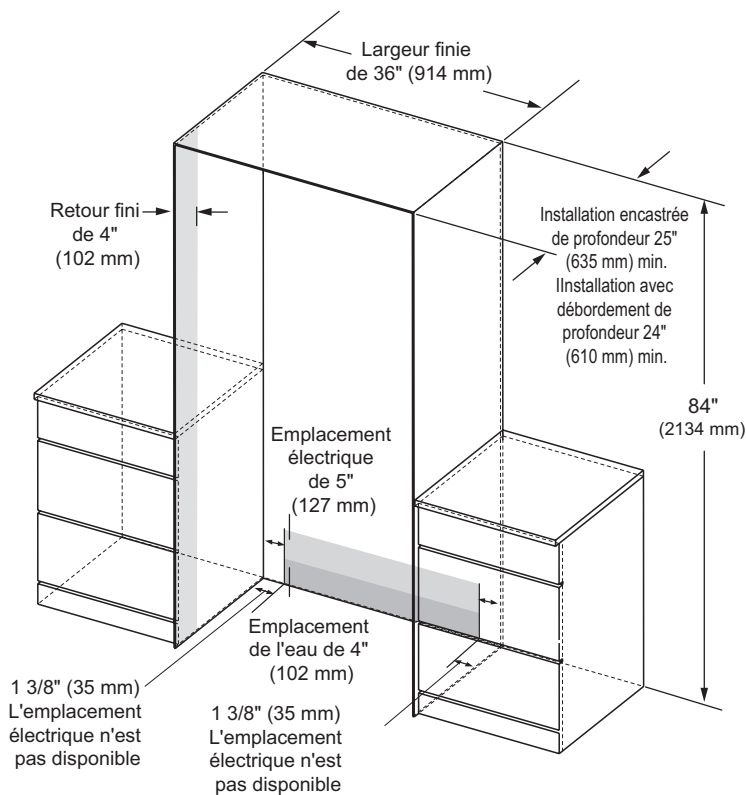
## Raccordement de l'eau

### **PRÉCAUTION**

- Connecter l'appareil uniquement à l'eau potable.
- Une connexion d'eau froide est requise pour le fonctionnement de la machine à glaçons automatique. La pression de l'eau doit être comprise entre 20 et 120 psi. (138 - 827 kPa).
- L'installation doit être conforme aux réglementations locales en matière de plomberie.
- Une vanne d'arrêt séparée doit être installée pour le raccordement d'eau de l'appareil.
- Ne pas utiliser de robinet vanne.
- Ne pas installer la vanne d'arrêt pour l'eau derrière l'appareil. La vanne d'arrêt doit être facilement accessible.
- Installer le raccord d'eau dans la zone indiquée dans le diagramme sous Dimensions et Dégagements. La ligne d'alimentation en eau peut être située sur le côté droit, sur le côté gauche ou dans le plancher. Le diamètre extérieur maximal de la conduite d'alimentation (sans raccords) est de 3/8" (9,5 mm).

# SKSFD3604P - RÉFRIGÉRATEUR AVEC PORTE FRANÇAISE INTÉGRÉE 36 po

## DIMENSIONS DE COUPE - INSTALLATION ENCASTRÉE OU AVEC DÉBORDEMENT



### REMARQUE

Le réfrigérateur peut être installé encastré ou avec débordement.

Encastré - Avec une profondeur de découpe de 25" (635 mm), la face avant du congélateur s'encastre dans les armoires adjacentes avec une profondeur de 25" (635 mm).

Avec débordement - Avec une découpe de profondeur de 24" (610 mm), la face avant du congélateur s'étend sur environ 3/4" (19 mm) au-delà des armoires adjacentes de 24" (610 mm) de profondeur.

- Un retour fini de 4" (102 mm) minimum correspondant à l'extérieur de l'armoire est recommandé sur tous les côtés et le haut de l'ouverture de la découpe. La zone ombrée doit être visible après l'installation.

### ÉLECTRIQUE

Une alimentation électrique 115V, 60Hz, 15 ou 20 amp est nécessaire. Un circuit de dérivation ou un disjoncteur correctement mis à la terre doit être utilisé en cas de nécessité de déconnexion après l'installation. Installer un réceptacle électrique à 3 broches bien mis à la terre encastré dans le mur arrière. L'électrique doit être situé dans le mur arrière tel que montré. Remarque: Un DD (disjoncteur différentiel) est recommandé.

### LIGNE D'EAU

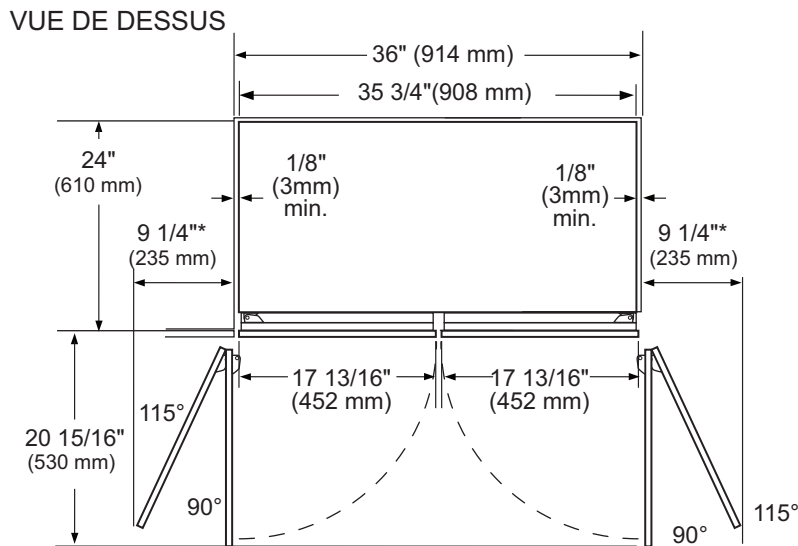
Une alimentation en eau froide est requise pour le fonctionnement de la machine à glaçons automatique. La pression de l'eau doit être comprise entre 20 et 120 psi.

La tuyauterie devrait être assez longue pour s'étendre jusqu'à l'avant du congélateur. Laisser suffisamment de tuyauterie pour accueillir un coude qui mène à la connexion de la ligne d'eau.

La ligne d'eau peut entrer à travers une ouverture dans le plancher ou le mur arrière.

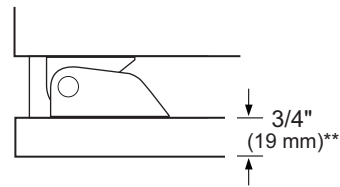
Installer une vanne d'arrêt entre la vanne d'eau de la machine à glaçons et l'alimentation en eau froide de la maison.

## DÉGAGEMENTS DE L'INSTALLATION



\*\*La poignée de la porte doit être ajoutée à cette dimension.

\*\*\*\*Varie selon l'épaisseur du panneau de cabinet personnalisé.  
3/4" (19 mm) est approprié en utilisant le Kit de Panneau de Porte En Acier Inoxydable (accessoire en option)..



### REMARQUE

#### Dégagements d'ouverture de porte

L'installation doit permettre les dégagements par rapport aux murs adjacents ou les armoires. Ce congélateur est équipé d'un système d'arrêt de porte à 2 positions.

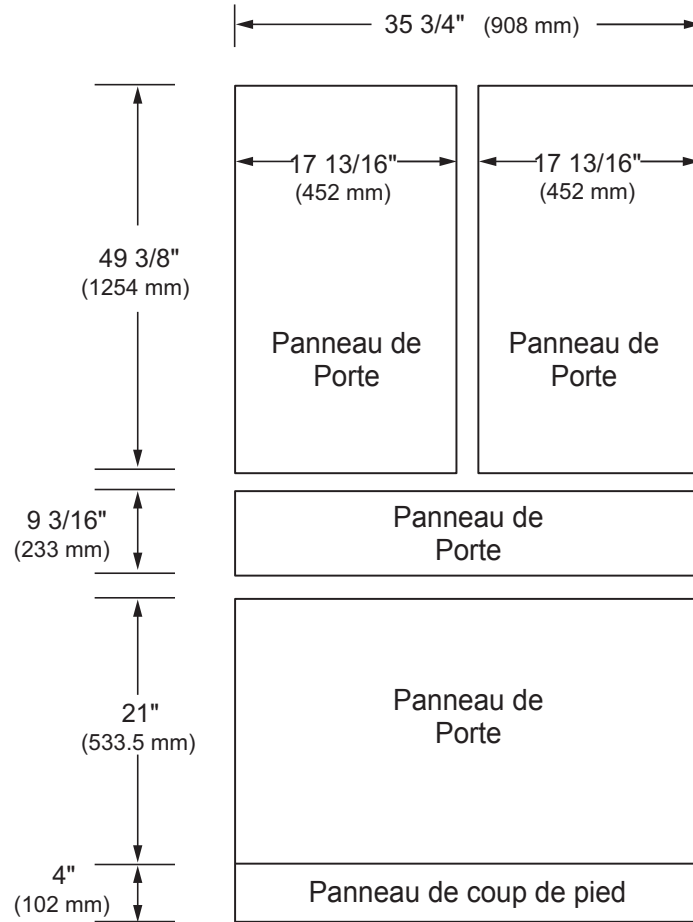
L'ouverture de porte à 115 ° réglée en usine peut être réglée à 90 ° si le dégagement sur les armoires ou les murs adjacents est limité.

#### Dégagements de poignée de porte

La profondeur de la poignée de la porte doit être ajoutée à la dimension indiquée pour déterminer le dégagement total requis des armoires ou des murs adjacents. Ce dégagement varie en fonction de la poignée personnalisée utilisée. Lorsque vous utilisez les poignées Signature Kitchen Suite ou le kit de panneau de porte en acier inoxydable Signature Kitchen Suite avec poignées (accessoires en option), le dégagement de poignée de porte avec la porte ouverte 115° est de 12" (305mm).

# SKSFD3604P - RÉFRIGÉRATEUR AVEC PORTE FRANÇAISE INTÉGRÉE 36 po

## 3/4" (19 MM) DIMENSIONS DU PANNEAU PERSONNALISÉ – INSTALLATION ENCASTRÉE



FRANÇAIS

### REMARQUES

Les unités découpées sont conçues pour être personnalisées avec les panneaux décoratifs. Des panneaux de porte personnalisés de 3/4" (19 mm) installés sur le terrain sont nécessaires.

Pour les panneaux personnalisés: Utiliser les gabarits fournis avec les unités pour percer des trous pour les supports de panneaux de montage (fournis avec l'unité). Les vis de réglage et les instructions sont également fournies avec les unités.

Le poids total maximum pour les panneaux personnalisés pour le modèle Porte Française 36" est de 88 lb. Pour les poids maximum pour chaque panneau, voir la fiche technique.

### CONSEILS DE CONCEPTION

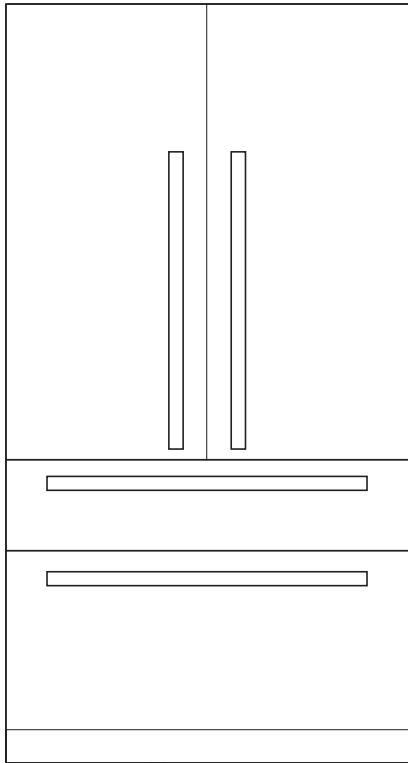
4" (102 mm) seront visibles dans les faces intérieures de la découpe. Il est recommandé que l'intérieur de l'enceinte soit fini pour être en harmonie avec l'extérieur. Pour les installations de rénovation / remplacement, le kit de cadre en option peut être utilisé.

Si vous utilisez des panneaux personnalisés, un coup de pied personnalisé est nécessaire. Le fond du boîtier est non fini.

Poignées de porte: Les poignées ne sont pas incluses avec les unités.

Des poignées personnalisées sont nécessaires pour l'installation. Les poignées en aluminium brossé sont disponibles en option.

## ACCESSOIRES EN OPTION - INSTALLATION ENCASTRÉE OU AVEC DÉBORDEMENT



### SKSPK360FS - KIT DE PANNEAUX EN ACIER INOXYDABLE POUR RÉFRIGÉRATEUR AVEC PORTE FRANÇAISE 36 po

Cette unité peut être installée avec un kit de panneau en acier inoxydable en option. Le kit comprend deux panneaux de porte pour aliments frais, un panneau de tiroir convertible, un panneau de tiroir de congélateur, un coup de pied et quatre poignées.

### SKSFK800CS - KIT DE CADRE

Cette unité peut être installée dans une découpe profonde de 24" (610 mm) avec un kit de cadre en option. Le kit comprend deux garnitures latérales en aluminium brossé de 80" (2032 mm). Chaque pièce de garniture mesure 5" (127 mm) de profondeur avec une face avant de 1/8" (3 mm).

### POIGNÉES À UTILISER AVEC DES PANNEAUX PERSONNALISÉS

SKSHK310HS - Poignée en aluminium brossé moyen de 31 11/16" (805 mm)

### CONSEILS DE CONCEPTION

Le kit de panneau en acier inoxydable peut être utilisé dans une installation avec une profondeur de découpe de 25" (635 mm) ou dans une installation avec une profondeur de découpe de 24" (610 mm).

Le kit de cadre en option est recommandé pour les installations de rénovation / remplacement lorsque la découpe existante a une profondeur de 24" (610 mm).



## Accessoires et outils nécessaires


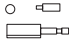
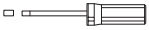

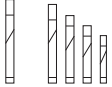



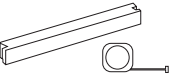

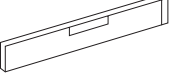
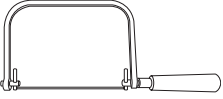
### Accessoires fournis

- Instructions d'installation
- Instructions de fonctionnement
- Kit d'installation
- Filtre à eau (inclus avec le réfrigérateur)

### Autre

- Échelle
- Chariot
- Perceuse à percussion pour percer des trous dans le mur ou le plancher.
- Forets de différentes tailles et adaptés aux matériaux
- Vis à bois de différentes tailles
- Feuille de contreplaqué mince, panneau de particules ou carton pour protéger le plancher contre les dommages
- Matériau approprié pour recouvrir et protéger les meubles (par exemple des feuilles de protection)
- Ruban adhésif

### Outils

	Tournevis sans fil
	Embout Torx T20, T30 + support magnétique (Fourni)
	Tournevis Torx T20, T30
	Entraîneur à écrou hexagonal de 6/16" (10 mm)
	Divers forets
	Pince multiprise
	Clé à molette
	Cutter avec lame ajustable
	Mètre à ruban métallique, mètre pliant
	Équerre
	Niveau, longueur 2' (60 cm) et 4' (1,2 m)
	scie pour couper les pièces de garniture supérieures (pour l'installation de rénovation seulement)

# Installation

Les instructions d'installation suivantes décrivent les étapes d'installation pour différents types d'appareil :

- Unités de réfrigérateur avec distributeur d'eau
- Unités de congélateur avec machine à glaçons
- Unités de réfrigérateur et de congélateur intégrées avec distributeur d'eau et machine à glaçons

Les schémas peuvent être une représentation générale de votre appareil.

La référence particulière est faite aux étapes d'installation spéciales pour des types d'appareil individuels.

## Déballage

### ⚠ AVERTISSEMENT

Pour éviter des blessures graves ou endommager le produit:

- NE PAS ouvrir les portes de l'appareil à moins que le produit ne soit sécurisé contre le basculement.
- L'appareil est très lourd et a tendance à basculer s'il n'est pas sécurisé.
- Pour éviter toute blessure, utiliser 2 personnes ou plus et les techniques de levage appropriées de l'appareil.

Inspecter l'appareil pour vérifier les dommages pouvant résulter du transport.

Ne pas installer l'appareil s'il est visiblement endommagé.

En cas de doute, contacter votre revendeur.

1. Retirer le carton d'emballage, en veillant à ne pas endommager la surface de l'appareil.
2. Pour éviter d'endommager le plancher, placer le carton d'emballage ou du contre-plaqué sous l'appareil.
3. Retirer les accessoires sur les côtés et au-dessous de l'appareil.

#### REMARQUES:

Pour éviter d'endommager le plancher, placer le carton d'emballage ou du contre-plaqué sous l'appareil.

Retirer les accessoires sur les côtés et au-dessous de l'appareil.

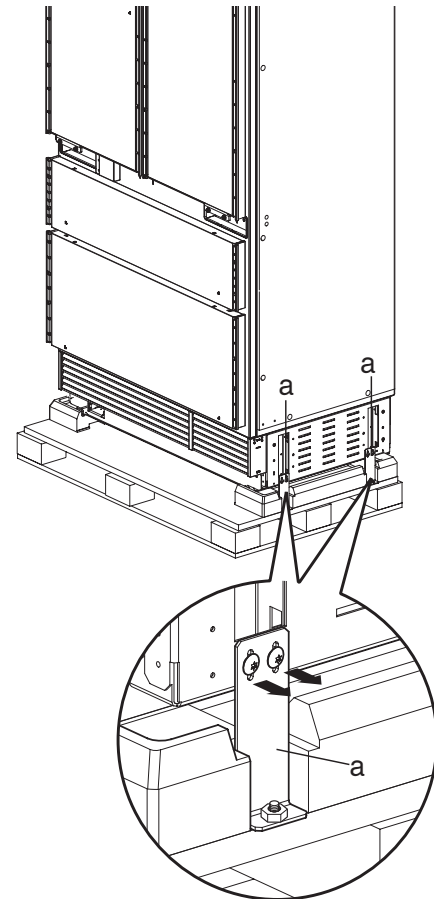
#### 4. Préparation de l'installation

Déballer le matériel et les accessoires d'installation. Pour simplifier l'installation, les emballages sont identifiés par les étiquettes A, B et C correspondant aux sections manuelles.

#### ATTENTION:

L'appareil est très lourd. Utiliser deux ou plusieurs personnes lors du levage ou du déplacement de l'appareil.

5. Retirer les cales de transport (a) et soulever l'appareil de la palette.



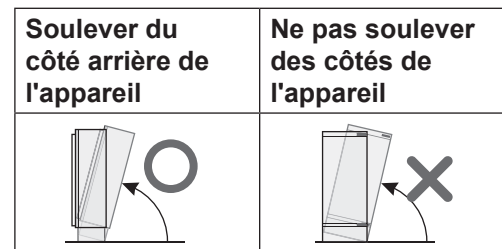
## Déplacer l'appareil

### ⚠ AVERTISSEMENT

- Pour éviter toute blessure, utiliser 2 personnes ou plus et respecter les techniques de levage appropriées lors du levage et du déplacement de l'appareil.
- Si l'appareil ne peut pas être transporté dans une position verticale, le transporter horizontalement.

#### Pour éviter d'endommager le produit:

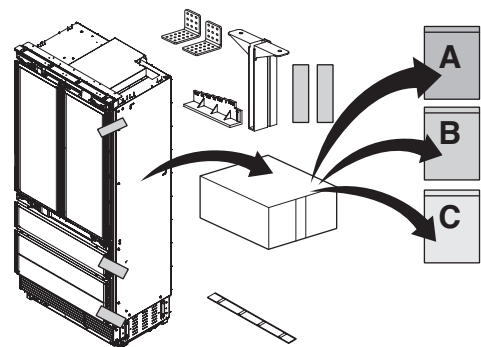
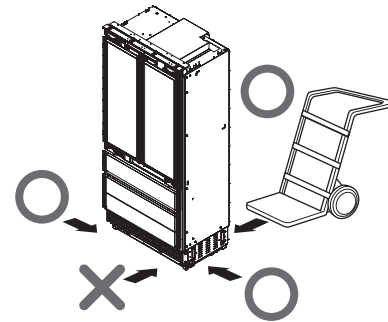
- Ne pas incliner l'appareil vers les côtés ou le poser sur les côtés.
- S'assurer qu'il y a assez de place pour supporter l'appareil avant de le faire.
- Utiliser un chariot, élévateur ou un chariot à main pour transporter l'appareil.
- Transporter l'appareil **UNIQUEMENT** du côté arrière.
- Fixer l'appareil pendant le transport pour éviter qu'il ne bascule pas.



### Circonstances particulières

Avant l'installation, vérifier les circonstances spéciales suivantes pendant votre installation. S'il en est ainsi, suivre les instructions pertinentes dans la section d'Installations Spéciale avant de continuer l'installation.

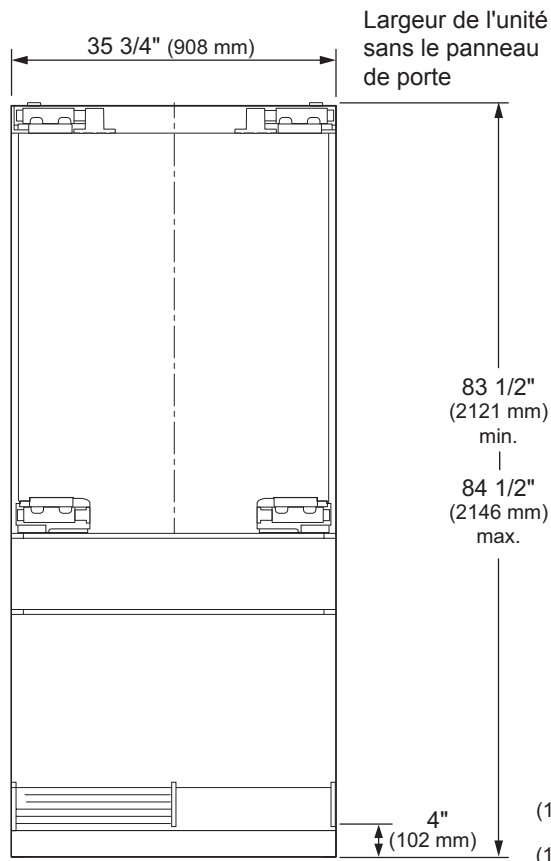
- Installation de rénovation dans l'enceinte existante : voir la section d'Accessoire de Kit de Cadre en option.
- Inverser l'ouverture de porte : voir la section Inverser la Porte.
- Installation côte à côte de 2 appareil : voir la section Installation côte à côte.



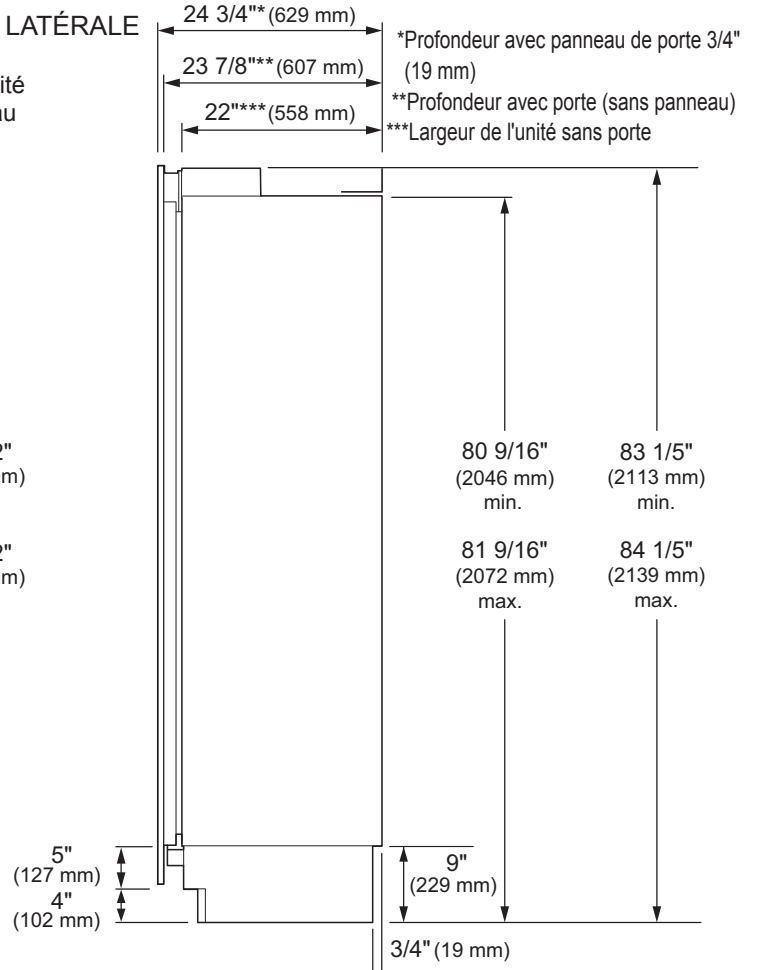
# Dimensions du produit

## Colonne 36" du Réfrigérateur/Congélateur

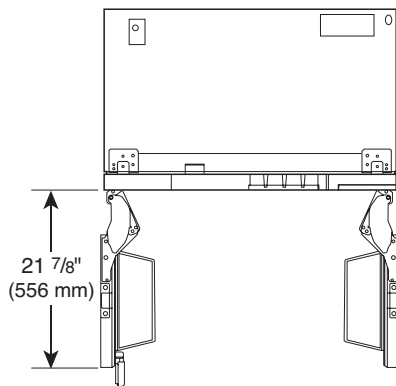
VUE DE FACE



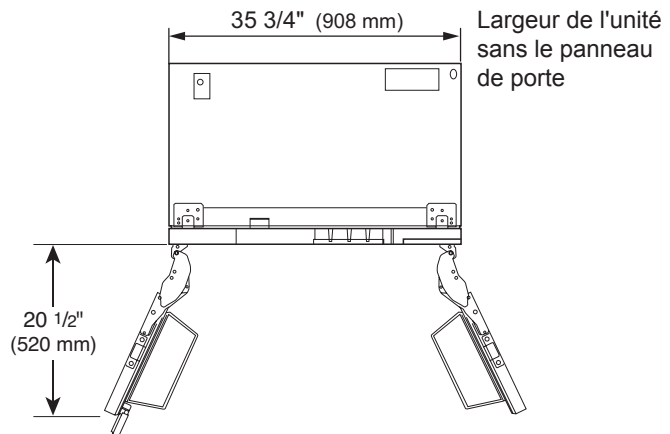
VUE LATÉRALE



VUE DE DESSUS  
PORTE OUVERTE 90°



VUE DE DESSUS  
PORTE OUVERTE 115°



## A

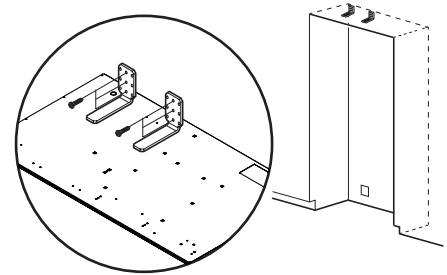
## Installation des supports anti-basculement

### ⚠ AVERTISSEMENT

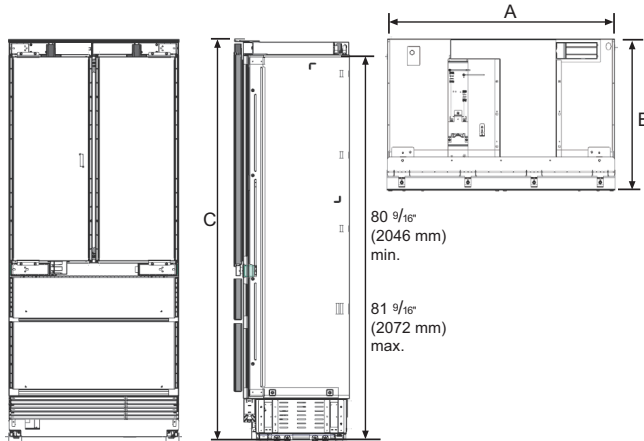
Pour éviter toute blessure ou les dégâts, vérifier les fils électriques ou la plomberie dans des murs avant de forer ou installer des vis.

### ⚠ PRÉCAUTION

Pour éviter toute blessure, respecter toutes les pratiques de sécurité lors de l'installation, notamment le port de lunettes de sécurité et autres vêtements de sécurité.



FRANÇAIS



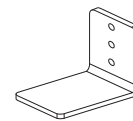
	Unité 36"
A (Largeur)	35 3/4" (908mm)
B (Profondeur)	23 7/8" (607mm)
C (Hauteur)	83 1/2" (2121mm) min.

### REMARQUE :

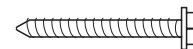
2 supports anti-basculement sont nécessaires pour chaque appareil.

Les supports anti-basculement doivent se chevaucher avec un minimum de 2 1/8" (54 mm) au-delà de l'appareil pour sécuriser l'appareil.

1. Installer les supports anti-basculement à l'arrière de l'enceinte, avec la base des supports à 3 5/16" à partir de la partie supérieure de l'enceinte.
2. S'assurer que les supports anti-basculement sont solidement fixés à un goujon ou à toute autre structure portante. Ne pas fixer les supports aux cloisons sèches, aux parpaings ou au béton non durci. Pour assurer la sécurité, au moins un support doit être attaché à un goujon. Fixer les supports aux montants dans la mesure du possible dans l'enceinte. Utiliser un minimum de 3 vis ou boulons pour fixer chaque support.



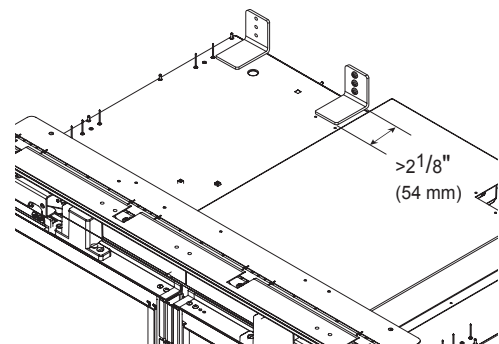
Supports anti-basculement (2)



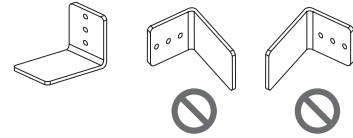
Béton / Mur en bois  
5X45 6X (Hex)



6x30 6X

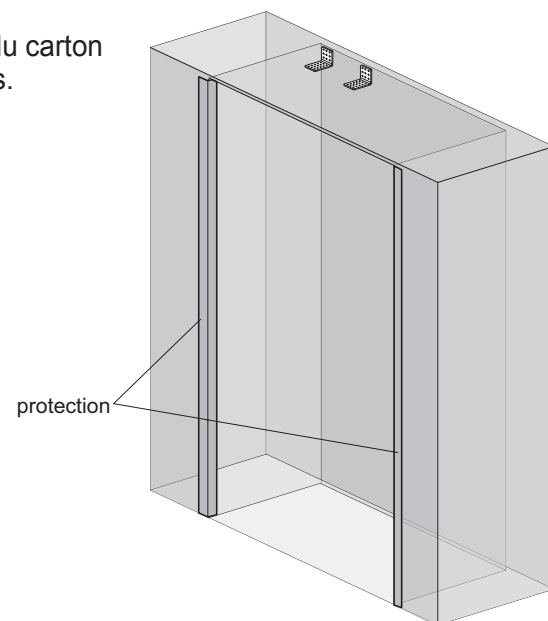


Les supports doivent être fixés comme indiqué à droite. Les supports peuvent échouer à empêcher le basculement de l'unité s'ils sont installés dans une autre orientation.



## Protéger les bords de l'enceinte

Pour protéger les bords avant de l'enceinte, coller du carton mince ou un autre matériau protecteur sur les bords.



## Installation de l'appareil dans l'enceinte

### ⚠ AVERTISSEMENT

Utiliser 2 personnes ou plus lors de l'installation de l'appareil. Faire attention lors du déplacement de l'appareil. Il est très lourd et peut basculer lorsqu'il n'est pas sécurisé.

### ⚠ PRÉCAUTION

Veillez à ne pas endommager la conduite d'eau ou le cordon d'alimentation lorsque vous déplacez l'appareil dans l'enceinte.

Avant le déplacement de l'unité en position, sécuriser la porte / les tiroirs fermés et protéger tout revêtement de sol fini.

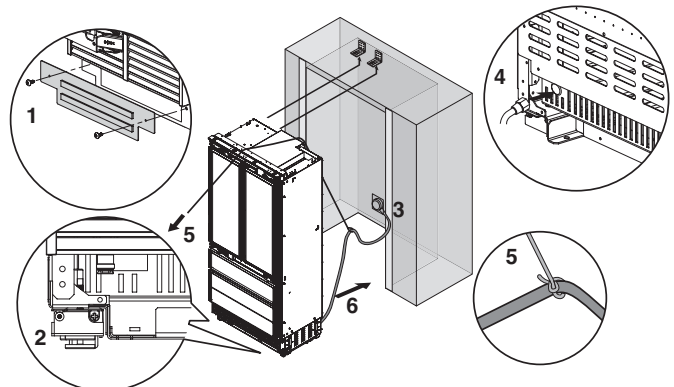
Utiliser un chariot d'appareil pour déplacer l'unité près de l'ouverture.

Les pieds de nivellement avant sont étendus sous les roulettes à l'avant pour améliorer la stabilité pendant le placement. Une fois que l'unité est placée devant l'ouverture, rétracter complètement les pieds de nivellement avant pour permettre à l'unité d'être roulée en position. Les pieds de nivellement avant et arrière peuvent être ajustés à l'avant une fois que l'unité est en position.

Si l'unité a été placée sur le dos, elle doit rester debout pendant au moins 24 heures avant d'être mise sous tension.

Après avoir roulé l'appareil, vérifier que les supports anti-basculement sont correctement engagés.

1. Retirer le panneau de base.
2. Rétracter les pieds de nivellement pour pouvoir déplacer l'appareil vers l'avant.
3. Brancher le cordon d'alimentation dans la prise.
4. Pousser la conduite d'eau à travers le trou à l'arrière de l'appareil jusqu'à ce qu'elle émerge du trou à l'avant de l'appareil.
5. Attacher une longue ficelle autour du milieu du cordon d'alimentation. Enfiler la ficelle sur le dessus de l'appareil, la tirer jusqu'à ce que le cordon d'alimentation soit tenu hors du sol, puis coller la ficelle à l'avant de l'appareil pour maintenir le cordon d'alimentation hors du plancher. Ne pas pincer et ne pas tirer sur le cordon d'alimentation. S'assurer qu'il est toujours branché.
6. Déplacer soigneusement l'appareil dans l'enceinte en veillant à ne pas pincer le cordon d'alimentation ou la conduite d'eau sous ou derrière l'appareil.
7. Retirer la protection de bord sur l'enceinte.



## Alignement et mise à niveau de l'appareil

### AJUSTEMENT DE LA PROFONDEUR

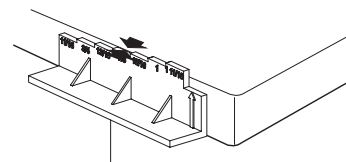
Ajuster la profondeur de l'unité dans l'enceinte afin que les panneaux de porte affleurent les armoires environnantes. Utiliser l'outil de mesure fourni pour un ajustement précis.

#### 1. Mesurer l'épaisseur de vos panneaux de porte décoratifs en utilisant l'outil de mesure.

Placer le panneau de porte sur une surface plane et protégée et placer l'outil de mesure à côté du panneau. Marquer l'encoche sur l'outil de mesure qui correspond à l'épaisseur du panneau de porte.

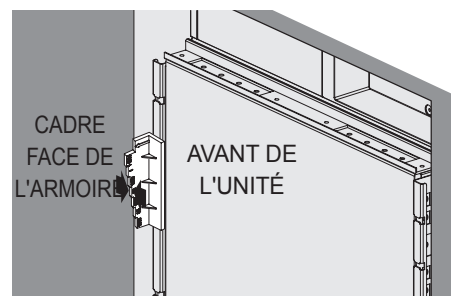
#### 2. Utiliser la marque sur l'outil de mesure pour ajuster la profondeur de l'appareil dans l'enceinte.

Placer l'outil de mesure contre la porte fermée de l'appareil sur le côté de l'enceinte. L'encoche marquée sur l'outil de mesure doit être alignée avec le bord avant de l'enceinte.



Outil de mesure

Mesurer l'épaisseur du panneau

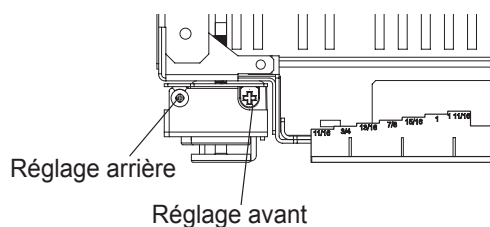


Aligner la profondeur de l'unité

Les pieds de nivellement avant et arrière peuvent tous deux être réglés par l'avant.

Avant: Utiliser un tournevis Philips de 5/16" (8 mm) avec manche flexible.

Arrière: Utiliser un tournevis Philips de 5/16" (8 mm) avec manche flexible.



Réglage arrière

Réglage avant



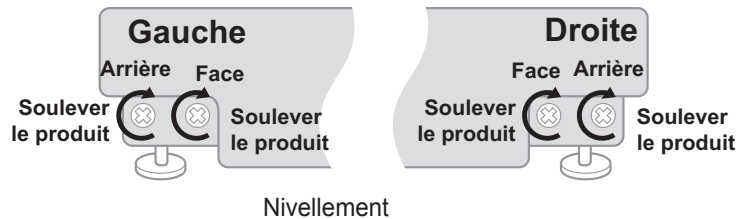
## **⚠ AVERTISSEMENT**

Pour réduire les risques de basculement vers l'avant, les pieds de nivellement avant doivent être en contact avec le sol.

## **NIVELLEMENT**

Une fois l'appareil correctement aligné dans l'enceinte, le mettre à niveau à l'aide des pieds de nivellement avant et arrière.

1. Utiliser un tournevis cruciforme pour rallonger les pieds de nivellement avant et arrière jusqu'à ce qu'ils soient en contact ferme avec le sol.



2. Tourner les vis comme indiqué ci-dessus pour soulever l'appareil. Tourner les vis dans la direction opposée pour abaisser l'appareil.
3. S'assurer que le poids du réfrigérateur est porté sur les pieds, pas les roues.
4. Utiliser une application de mise à niveau pour smartphone ou placer un niveau de menuisier sur le dessus et les côtés de l'appareil pour vérifier qu'il est de niveau et d'aplomb. Ou utiliser l'outil de mesure fourni pour mesurer la distance entre le bord inférieur de l'appareil et le sol aux coins avant.

## **⚠ PRÉCAUTION**

- Si vous utilisez une perceuse électrique, utilisez le réglage de couple le plus bas.
- Laisser au moins 3/8 pouce (10 mm) entre l'avant supérieur de l'appareil et le haut du boîtier pour s'adapter à la bande de remplissage supérieure.
- Ne pas dépasser 20 pouces-livres (2,25 Nm) de couple.
- 20 tours égal à 1/16" (2 mm) de réglage en hauteur.

## Fixation de l'appareil à l'enceinte

### ⚠ AVERTISSEMENT

- Pour éviter les basculements, l'appareil doit être fixé sur le dessus de l'enceinte.
- Le dessus de l'enceinte doit être fait à partir d'un matériau solide (pas de MDF) d'au moins 5/8" (16 mm) d'épaisseur.

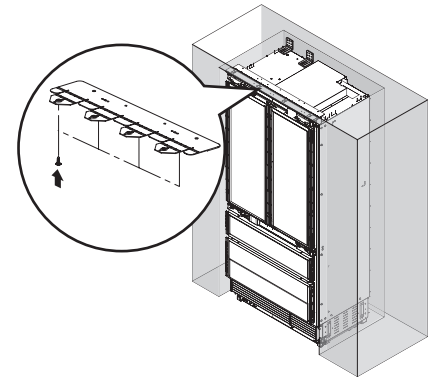
1. Visser les languettes sur le support de sécurité en haut de l'appareil sur le dessus de l'enceinte.
2. S'il y a un grand écart entre le haut de l'appareil et le haut de l'enceinte, insérer un morceau de bois entre les pattes et le haut de l'enceinte pour combler l'espace.
3. Visser les supports de sécurité latéraux sur les côtés de l'enceinte.

**REMARQUE:** Si vous installez deux appareils côte à côte, fixez les appareils l'un à l'autre à l'aide du kit d'unification. Fixez-les aux côtés de l'enceinte comme s'ils étaient une unité.

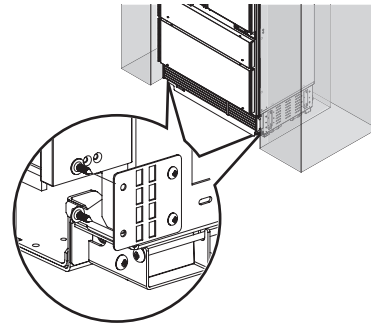
4. Faire glisser la pièce supérieure de l'ensemble de remplissage avant (a) dans la partie supérieure de l'appareil jusqu'à ce qu'elle s'enclenche dans le support de sécurité supérieur.

5. Une fois que la partie supérieure de l'ensemble de remplissage est en place, glisser la base de l'ensemble de remplissage en dessous et enclencher le haut dans la base (b).

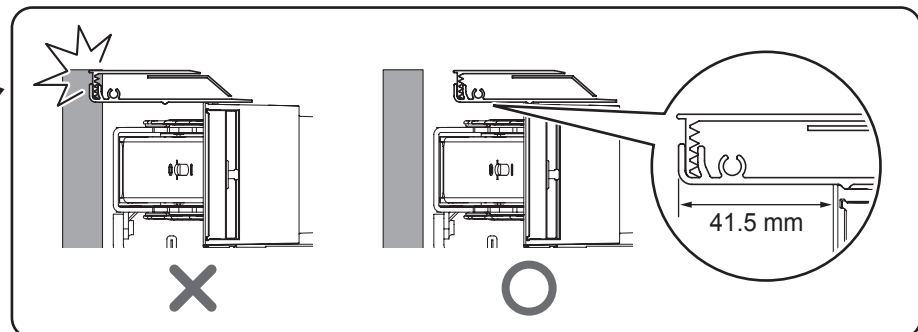
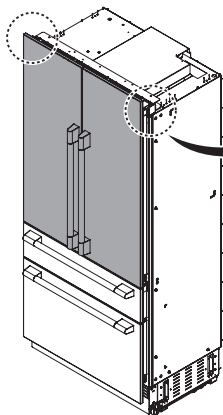
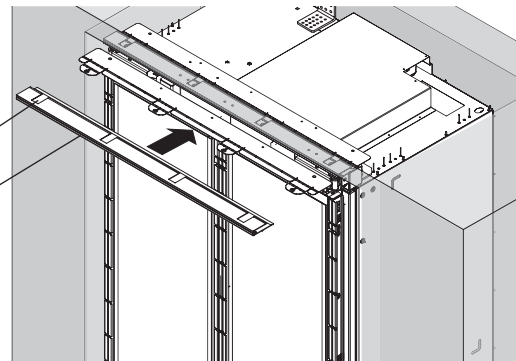
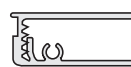
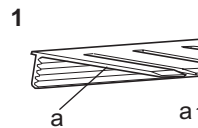
**REMARQUE:** Si vous installez deux appareils côte-à-côte, fixer les deux couvercles supérieurs à l'aide du boulon fourni dans le paquet d'accessoires.



4X15 4X



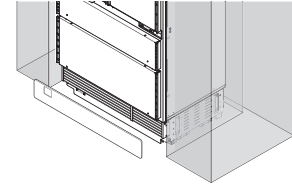
4X15 4X



## Fixation du panneau de coup de pied

### ⚠ PRÉCAUTION

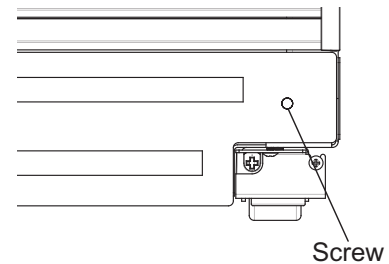
Pour éviter d'endommager l'appareil, ne pas bloquer les fentes de ventilation du panneau de base.



FRANÇAIS

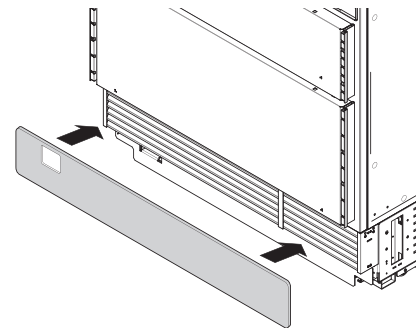
### Panneau de coup de pied en acier inoxydable (Accessoire en option)

1. Visser le panneau de base à l'appareil.
2. Retirer le film protecteur de l'adhésif sur les bandes magnétiques fournies.
3. Coller les bandes magnétiques à l'arrière du panneau de coup de pied en acier inoxydable.
4. Fixer le panneau de coup de pied en acier inoxydable au panneau de base en utilisant les bandes magnétiques.



### Panneau de coup de pied en bois

1. Si nécessaire, découper le panneau de bois pour l'adapter à la largeur de l'enceinte.
2. Visser le panneau de base à l'appareil.
3. Retirer le film protecteur de l'adhésif sur les bandes magnétiques fournies.
4. Coller les bandes magnétiques à l'arrière du panneau de coup de pied en bois.
5. Fixer le panneau de coup de pied en bois au panneau de base en utilisant les bandes magnétiques.

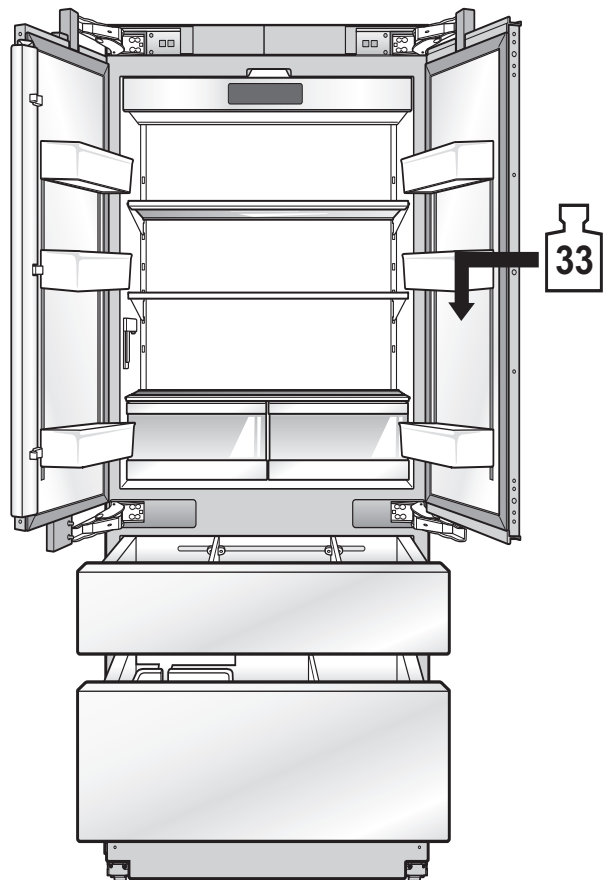


## Chargement de la porte de l'appareil

Pour obtenir des résultats précis, avant de fixer les panneaux de porte, charger les bacs de porte avec des poids pour vous assurer que la largeur de l'espace reste correcte après le stockage des aliments dans la porte.

Recommandations:

- Appareil 36" : 33 lb / 15 kg



## C

## Installation des panneaux de porte

Les dimensions typiques du panneau sont basées sur une hauteur finie de 84" (213,4 cm) avec des ouvertures 1/8" (3,2 mm). Le positionnement du gabarit doit être ajusté pour les panneaux dépassant les dimensions typiques.

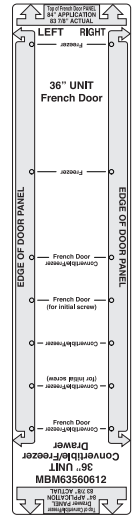
Les panneaux de porte doivent être installés en premier, suivis du panneau de tiroir supérieur puis inférieur, si nécessaire.

1. Placer le panneau de porte face vers le bas sur une surface protégée.
2. Localiser le bon côté du gabarit de panneau de porte pour votre produit et positionner le gabarit à fleur avec les côtés supérieur et gauche du panneau.
3. Utiliser le gabarit pour marquer les bons emplacements de vis à l'arrière du panneau.
4. Faire glisser le gabarit vers la droite pour qu'il affleure les côtés supérieur et droit du panneau.
5. Utiliser le gabarit pour marquer les bons emplacements de vis à l'arrière du panneau.
6. Commencer par insérer une vis # 8 x 1/2" dans le cinquième trou à partir du haut de chaque côté. Arrêter lorsque les vis dépassent le panneau de 3/16" (4 mm). Ce seront les vis de support lors de l'installation du panneau.
7. Insérer les vis de support dans les trous oblongs des supports de montage de la porte de l'appareil afin que le panneau soit accroché à la porte.

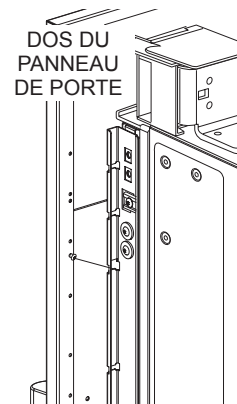
### PANNEAU DE PORTE SUPÉRIEUR



### PANNEAU DE PORTE INFÉRIEUR



FRANÇAIS



Montage du panneau de porte

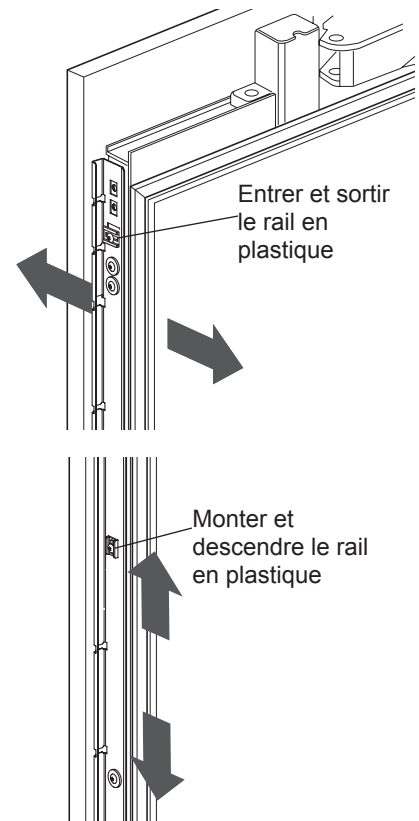
## ⚠ PRÉCAUTION

Faire attention aux points de pincement lors de l'installation des panneaux de porte ou de l'ouverture et la fermeture des portes.

## Ajustement des panneaux de porte

Des ajustements précis peuvent maintenant être faits pour aligner les panneaux de porte.

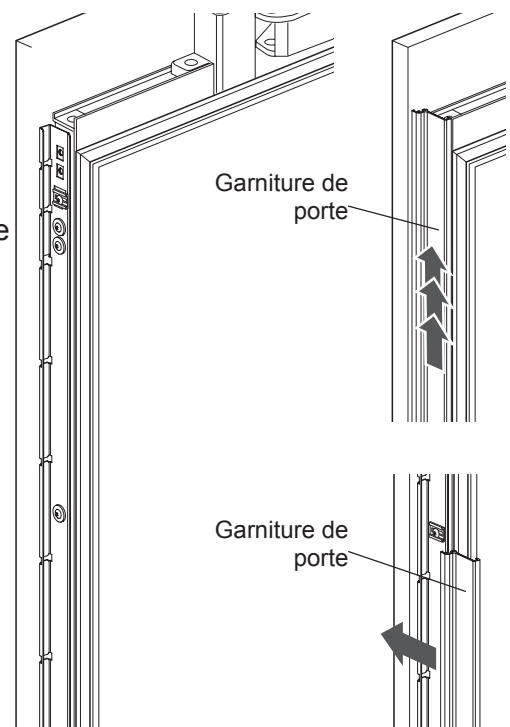
1. Pour ajuster le panneau de porte horizontalement, faire glisser les vis de support de panneau vers la gauche ou la droite dans les trous oblongs comme vous le souhaitez. Demander à un assistant de maintenir le panneau en place pendant que vous serrez les vis de support et insérer et serrer toutes les vis de montage restantes.
2. Pour ajuster le panneau de porte verticalement ou en avant et en arrière, desserrer les vis dans le support de porte de l'appareil. Déplacer les rails en plastique pour effectuer les réglages souhaités. Demander à un assistant de maintenir le support en place pendant que vous serrez toutes les vis du support.



## Installation de la garniture de porte

Après l'ajustement des panneaux, installer la garniture latérale décorative sur les portes.

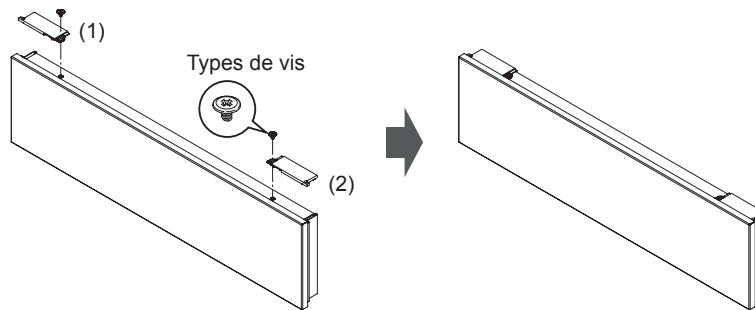
Pour installer, commencer au milieu et aligner la garniture avec les brides avant et arrière sur le support, puis enclencher en place en poussant la garniture vers l'arrière du panneau. Une fois que le milieu est sécurisé, continuer l'installation vers le haut jusqu'à ce que la garniture restante soit complètement sécurisée.



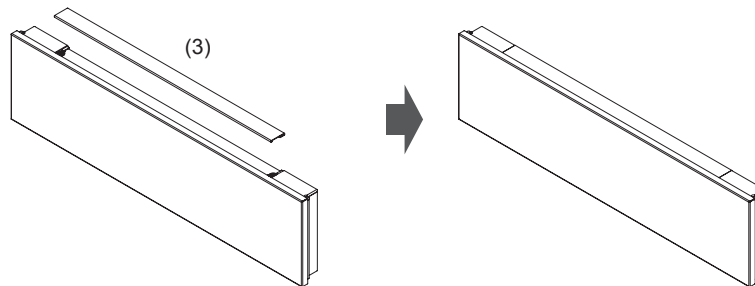
## Installation de la garniture supérieure ( finition) des portes du compartiment convertible et du congélateur

Après avoir installé les garnitures latérales ( finition) des portes, installez la garniture supérieure ( finition) des portes du compartiment convertible et du congélateur.

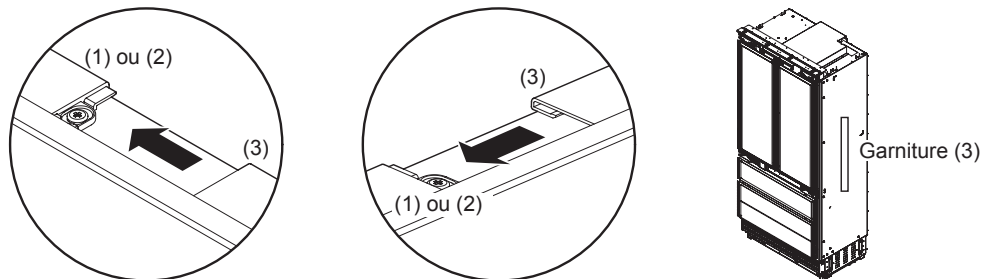
1. À l'aide des vis d'installation fournies, fixer les garnitures ( finition) (1) et (2) sur les côtés gauche et droit.



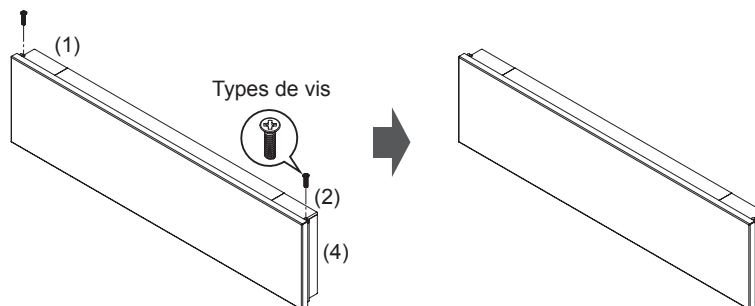
2. Insérez la garniture (3) dans les garnitures (1) et (2), et fixez-la. Toutefois, au moment de fixer la garniture (3), retirez le séparateur de ruban adhésif double face fixé à la garniture (3), et poussez cette dernière dans les garnitures (1) et (2) pour la fixer.



**Remarque:** Sens d'insertion de la garniture (3)



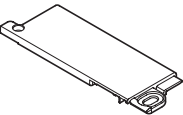
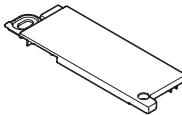
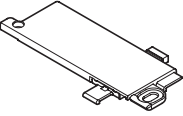
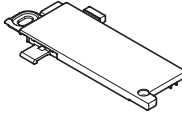
3. À l'aide des vis d'installation et de la garniture de porte (4) fournies, fixez les garnitures (1) et (2).



4. Après avoir installé les garnitures (matériaux de finition), vérifiez s'il y a un interstice ou une dénivellation entre celles-ci. Ajustez les garnitures au besoin.

## **⚠ PRÉCAUTION**

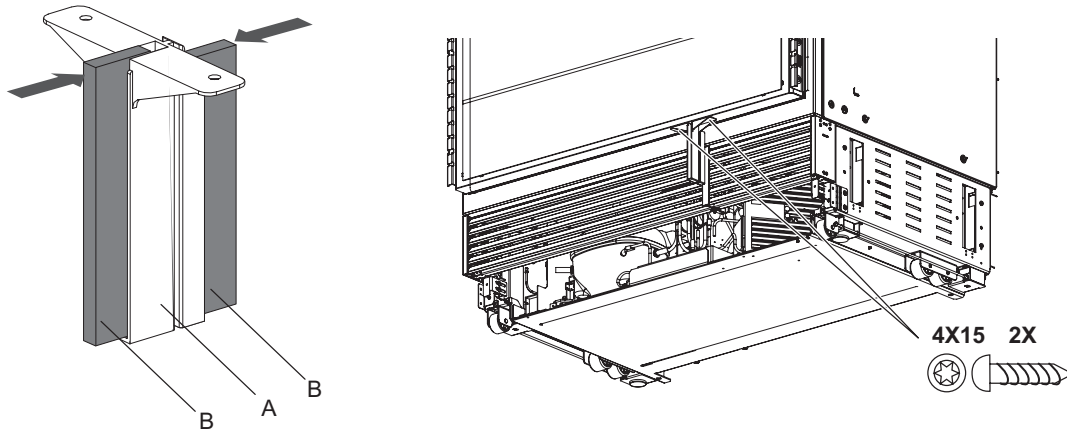
- Si vous avez acheté l'ensemble de panneaux en acier inoxydable (CP-D36R.AKOR) pour le réfrigérateur à porte française de 36 po, un accessoire offert en option, les garnitures supérieures (matériau de finition) des portes du compartiment convertible et du congélateur ainsi que (1) et (2) seront différents. Toutefois, la méthode d'installation est la même. Vérifiez la méthode d'installation ci-dessus et installez la garniture supérieure (matériau de finition) de la porte.
- Les garnitures (1) et (2) sont différentes parce que le panneau en acier inoxydable du congélateur est muni d'une poignée qui facilite l'ouverture de la porte du congélateur.

	<b>Garniture (1)</b>	<b>Garniture (2)</b>
<b>Garniture du compartiment convertible</b>		
<b>Garniture du congélateur</b> <ul style="list-style-type: none"> <li>• Cela ne s'applique que si vous avez acheté l'accessoire offert en option.</li> </ul>		



## Fixation du séparateur d'air

Assembler A avec B et les fixer sur le centre avant de la porte.

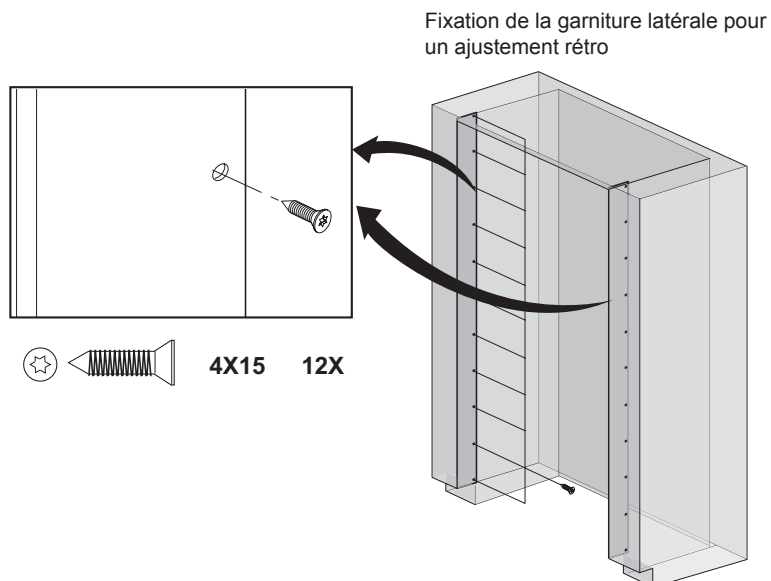


FRANÇAIS

## Installations spéciales

### Accessoire du kit de cadre en option

Achetez et installez le kit de cadre en option pour les installations côte à côte. Le kit comprend des pièces de finition en acier inoxydable pour couvrir les bords avant à l'intérieur de l'enceinte. Voir les instructions d'installation détaillées avec le kit.



## Réglage du ressort de la porte

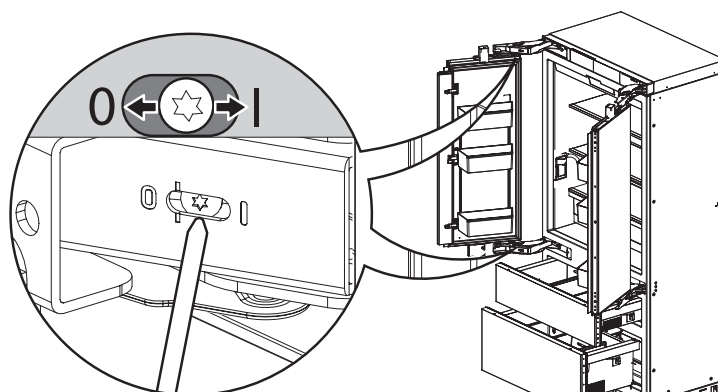
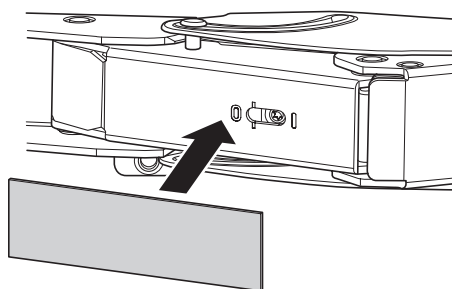
Tourner la vis de réglage avec le foret T20 fourni.

I = tension maximale du ressort

0 = pas de tension de ressort

La tension maximale du ressort est recommandée.

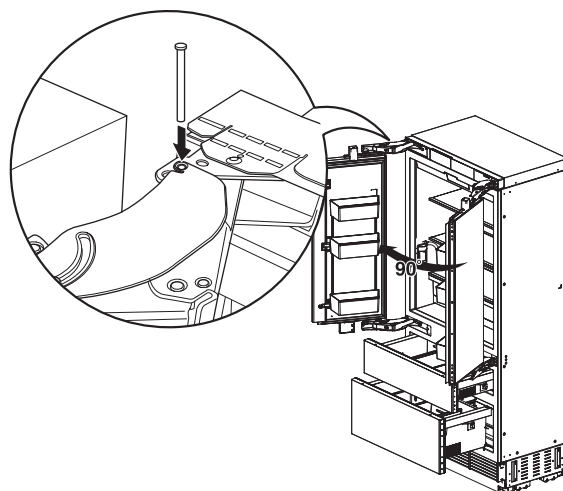
(Facultatif) Après avoir réglé le ressort de la porte, fixez les feuilles de plastique gris pour cacher les vis de réglage.



## Réglage la butée de porte

La position d'arrêt de porte par défaut est de 115 °. Suivre ces instructions pour changer la position d'arrêt de porte à 90 °.

1. Ouvrir la porte à 90 °.
2. Insérer la goupille d'arrêt de la porte dans les trous qui sont maintenant alignés à l'arrière de la charnière. Utiliser un maillet en caoutchouc pour insérer complètement la goupille.

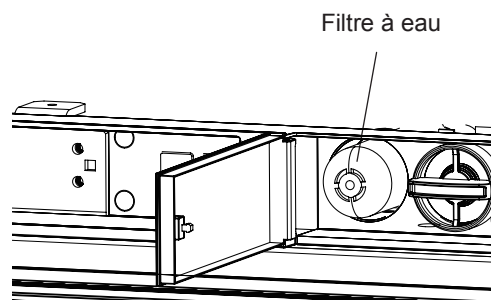


## Dérivation du filtre à eau

Le retrait du filtre à eau met automatiquement l'appareil en mode de dérivation du filtre. Cela permet à l'appareil de fonctionner sans filtre à eau.

### Retrait du filtre à eau

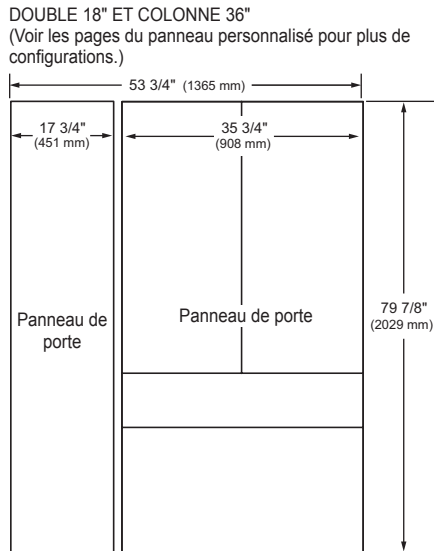
1. Pousser légèrement sur la porte d'accès du filtre à eau pour l'ouvrir.
2. Utiliser le capuchon pour faire tourner le filtre à eau dans le sens antihoraire et retirer le filtre à eau. Voir le manuel du propriétaire pour des instructions détaillées.



## Installation de rinçage côte à côte

### FLUSH INSTALLATION CLEARANCES

**REMARQUE :** Lors de l'installation de produits avec une partition entre eux, suivez l'installation standard. La taille minimum de la partition est de 6" (15,2 cm) pour éviter les interférences entre les portes.



### REMARQUE:

Lors de l'installation de deux produits côte à côte avec une ouverture de porte gauche et une porte droite, un dégagement de 1/16 po (2 mm) est requis entre les produits. Ceci s'applique à la fois aux nouvelles installations et aux installations de rénovation.

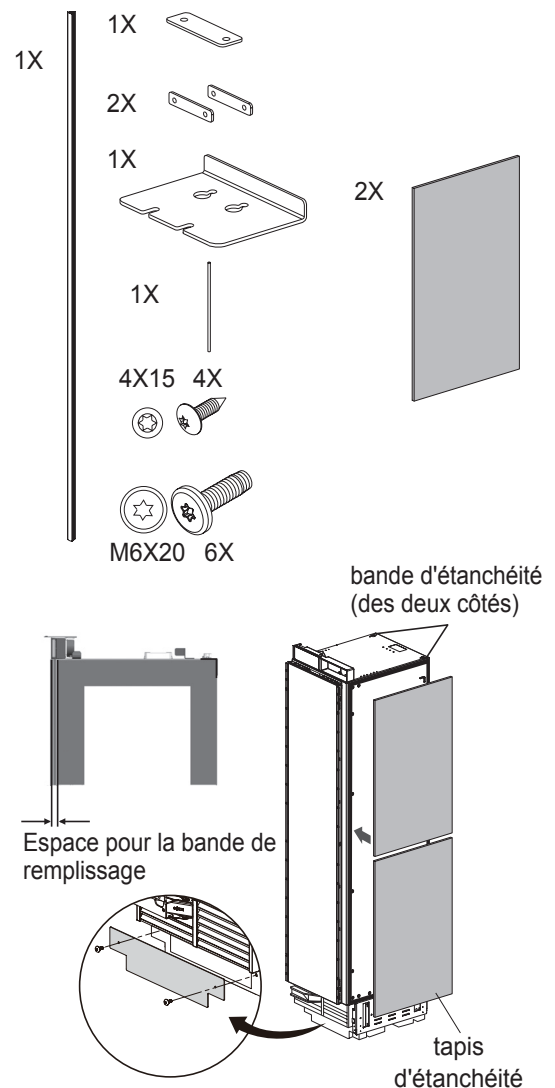
Dans une installation de chasse côte à côte, un kit d'unification doit être utilisé pour sceller les appareils ensemble.

Un kit d'unification est inclus avec tous les congélateurs à colonnes. Le kit contient un tapis d'étanchéité qui empêche la formation de condensation entre les deux appareils.

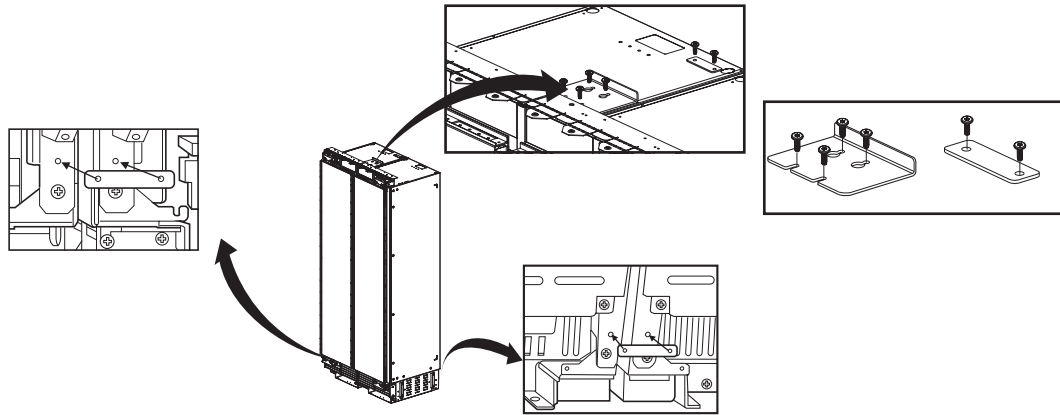
1. Déballez le kit d'unification et assurez-vous qu'il ne manque aucun accessoire.
2. Placez les appareils les uns près des autres dans la configuration d'installation prévue.
3. Retirez les panneaux de base des deux appareils.
4. Fixez le tapis d'étanchéité inclus sur le côté du congélateur qui fait face au réfrigérateur. (Le tapis d'étanchéité doit être entre les deux appareils après leur connexion.)

Installez le tapis d'étanchéité gris sur les bandes d'étanchéité noires préinstallées de sorte que le bord du tapis affleure le bord arrière du congélateur. Cela laissera un petit espace libre sur le bord avant pour adapter la bande de remplissage entre les deux appareils.

Des kits d'unification supplémentaires peuvent être achetés auprès de Signature Kitchen Suite (numéro de pièce SKSFJ800P).



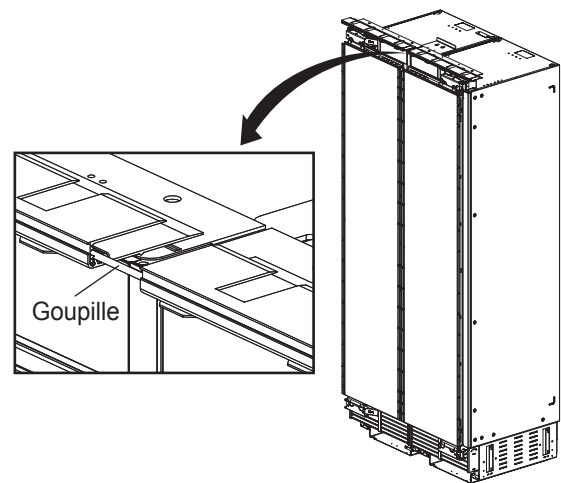
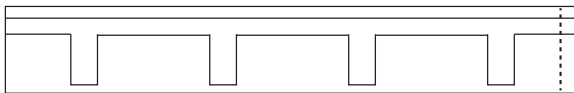
5. Placez les appareils l'un à côté de l'autre. Fixez les deux appareils ensemble en installant des supports de connexion entre les deux appareils en haut et en bas.



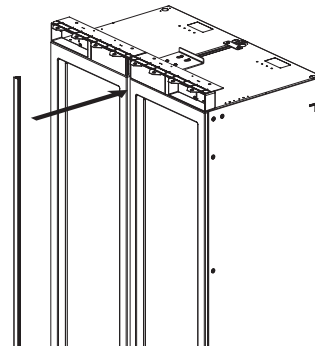
6. Insérez la goupille fournie dans les deux rails du couvercle en haut des unités combinées.

**REMARQUE:**

Si vous installez des colonnes de 18" et 36" dans un boîtier de 53 1/2" de large, coupez 1/4" d'un côté des deux rails.



7. Insérez la bande de remplissage dans l'espace entre les appareils. La bande de remplissage est incluse avec le kit d'unification.



## Précautions d'installation du panneau

### REMARQUE :

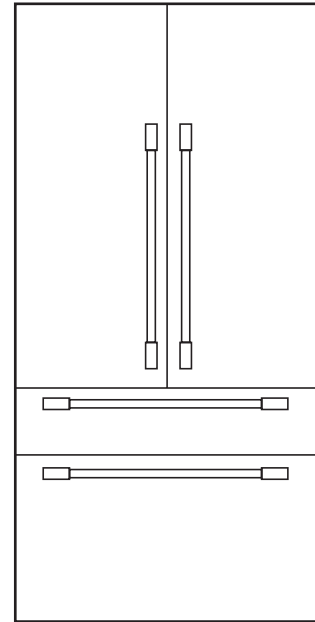
L'espacement entre le connecteur et le panneau est important.

- A : Panneau de la chambre du réfrigérateur
- B : Connecteur
- C : Panneau de chambre convertible

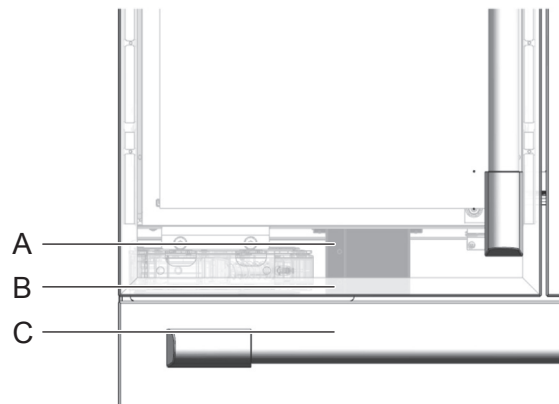
### Écart

1. Plus bas de A - Plus bas de B : 1.8 mm
2. Inférieur de B - Supérieur de C : 6.8 mm

Même si vous ne respectez pas les dimensions ci-dessus, B doit être installé de sorte qu'il n'atteigne pas l'extrémité inférieure de A.



FRANÇAIS



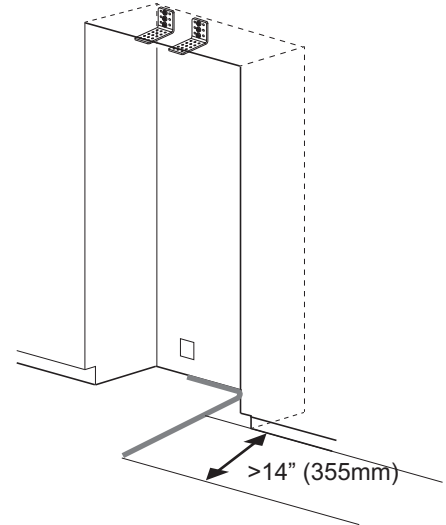
## Préparation de la connexion de la ligne d'eau

### REMARQUE :

Fermer la vanne d'arrêt d'eau principale pour éviter les inondations et les dommages matériels.

Installer la ligne d'eau.

Respecter toujours les dimensions indiquées pour éviter d'endommager la conduite d'eau lorsque vous poussez l'appareil

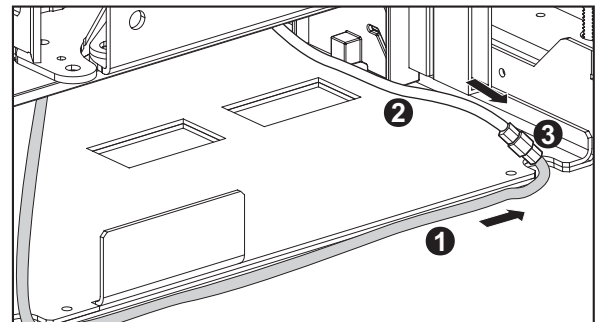
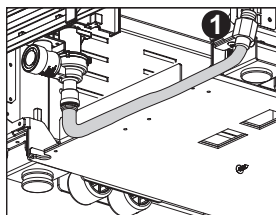
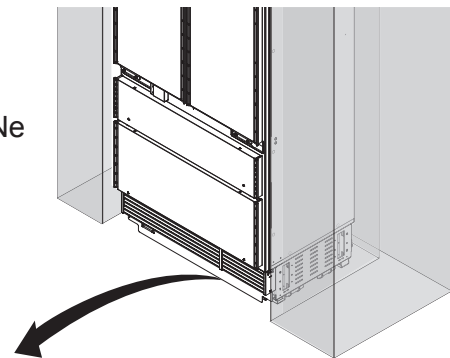


## Connexion de la ligne d'eau

### REMARQUE :

Lorsque vous courbez la ligne d'eau, éviter de la plier, sinon il y a un risque de fuites et de dégâts d'eau.

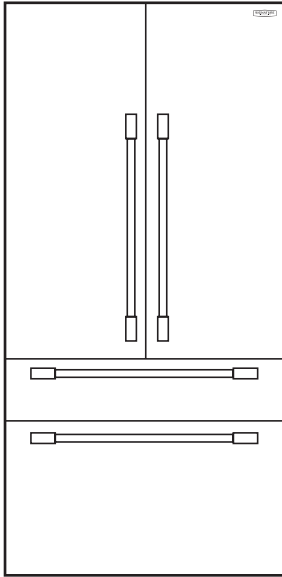
1. Retirer le capuchon de la connexion de l'appareil (1).
2. Plier la conduite d'eau en fonction de l'emplacement de la connexion sur l'appareil (2).
3. Pousser l'écrou-raccord et le joint sur la conduite d'eau.
4. Pousser l'extrémité de la conduite d'eau dans le raccord de l'appareil et visser l'écrou-raccord (3). Serrer à la main.
5. À l'aide de la clé à fourche, serrer l'écrou-raccord. Ne pas trop serrer.



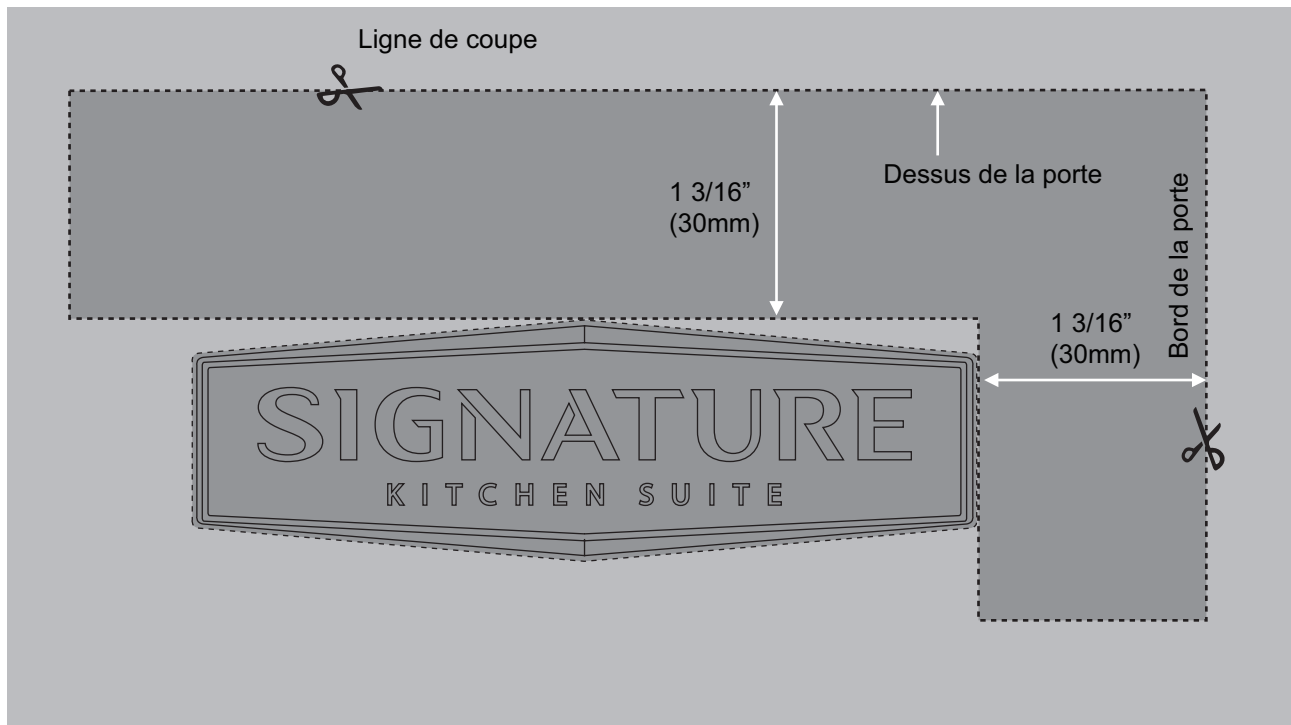
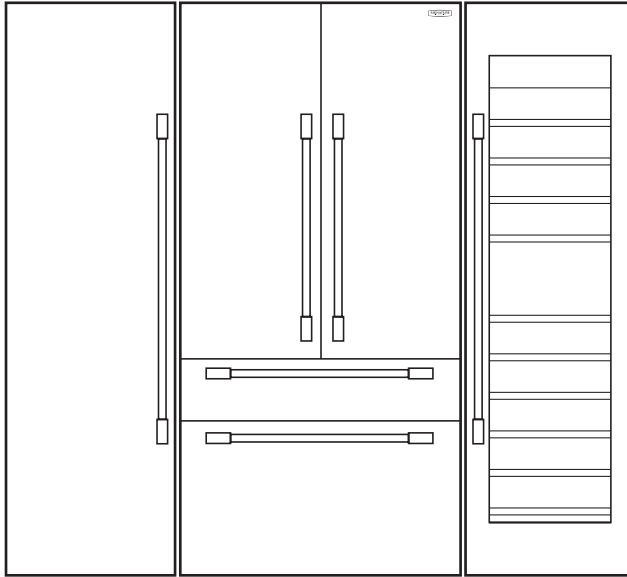
## Fixer l'insigne

- Pour fixer l'insigne, tracer ou découper le modèle ci-dessous et la placer en suivant les dispositions du panneau ci-dessous.
- Aligner le gabarit dans l'angle supérieur le plus proche de la charnière et placer l'insigne.

UNITÉ DE 36"



36" UNITÉ et Colonne pour l'installation continue  
: La colonne n'est pas appliquée du badge.









ESPAÑOL

# Guía de instalación de la refrigeración integrada REFRIGERACIÓN INTEGRADA

SKSFD3604P

[www.signaturekitchensuite.com](http://www.signaturekitchensuite.com) (USA)  
[www.signaturekitchensuite.ca](http://www.signaturekitchensuite.ca) (CANADA)

# Índice

## INSTRUCCIONES DE SEGURIDAD..... 3

### Antes de la instalación ..... 6

Selección del lugar de instalación ..... 6

SKSFD3604P: FRIGORÍFICO DE PUERTA  
FRANCESA INTEGRADO DE 36" ..... 9

Herramientas y accesorios necesarios ..... 13

### Instalación ..... 14

Desembalaje ..... 14

Movimiento del electrodoméstico ..... 15

Circunstancias especiales ..... 15

Dimensiones del producto ..... 16

## A

Instalación de los soportes antivuelco ..... 17

Protección de los bordes de la cabina de  
instalación ..... 18

Instalación del electrodoméstico en la cabina  
de instalación ..... 19

## B

Alineación y nivelación del electrodoméstico .. 20

Acoplamiento del electrodoméstico a la  
cabina de instalación ..... 22

Acoplamiento del panel del rodapié ..... 23

Carga de la puerta del electrodoméstico ..... 24

## C

Instalación de los paneles de la puerta ..... 25

Ajuste de los paneles de la puerta ..... 26

Instalación de la moldura de la puerta ..... 26

Instalación de la moldura superior (acabado)  
para las puertas de los compartimientos de  
congelador/cámara convertible ..... 27

Acoplamiento del separador de aire ..... 29

### ◆ Instalaciones especiales

Accesorio de kit de bastidor opcional ..... 29

Ajuste del muelle de la puerta ..... 30

Ajuste del tope de la puerta ..... 30

Elusión del filtro de agua ..... 30

Instalación enrasada en paralelo ..... 31

Precauciones que deben tenerse en cuenta  
para la instalación de los paneles ..... 33

Preparación para la conexión de la red de  
abastecimiento de agua ..... 34

Conexión de la red de abastecimiento  
de agua ..... 34

Acoplamiento de la placa ..... 35

# INSTRUCCIONES DE SEGURIDAD

## INSTRUCCIONES DE SEGURIDAD IMPORTANTES

Esta guía contiene muchos mensajes de seguridad importantes.

Lea y respete siempre todos los mensajes de seguridad.

Este es el símbolo de alerta de seguridad. Alerta sobre mensajes de seguridad que informan de peligros que pueden provocar la muerte o lesiones al usuario o a otras personas o causar daños en el producto.

Todos los mensajes de seguridad estarán precedidos por el símbolo de alerta de seguridad y las palabras indicadoras de peligro ADVERTENCIA o PRECAUCIÓN. Estas palabras significan:

**⚠ ADVERTENCIA** El usuario puede morir o sufrir lesiones graves si no sigue las instrucciones.

**⚠ PRECAUCIÓN** Indica una situación inminentemente peligrosa que, si no se evita, puede provocar lesiones leves o moderadas o daños en el producto.

Todos los mensajes de seguridad identifican el peligro y explican cómo reducir las posibilidades de lesión y qué puede ocurrir si no se siguen las instrucciones.

### ⚠ ADVERTENCIA

#### PELIGRO DE VUELCO

El frigorífico deben moverlo e instalarlo dos o más personas.

Para evitar que el frigorífico vuelque, instale soportes antivuelco (incluidos).

No seguir las instrucciones de instalación del frigorífico puede provocar lesiones graves o la muerte.



### ⚠ ADVERTENCIA

Para reducir el riesgo de incendio, descarga eléctrica o lesión al utilizar el producto, deben seguirse precauciones de seguridad básicas, incluidas las que se indican a continuación. Lea todas las instrucciones antes de utilizar este electrodoméstico.

### ⚠ ADVERTENCIA

Este producto contiene productos químicos que el estado de California ha comprobado que provocan cáncer y defectos congénitos u otras lesiones reproductivas.

**Lávese las manos después de manipularlo.**

## Instalación

- Estos productos no están diseñados para utilizarse como unidades independientes. Hacerlo produce riesgo de vuelco, lesión y daños materiales o en el producto.
- No instale el frigorífico cerca de fogones o calentadores de agua de gas ni otras fuentes de ignición que puedan perder gas. No instale el producto donde reciba luz solar directa. Instale el producto en una zona bien ventilada.
- Asegúrese de que las dimensiones de la cabina de instalación permitan suficiente circulación de aire en los lados y la parte trasera del producto. No bloquee la entrada de aire delantera. No seguir estas instrucciones puede provocar un fallo del producto.
- La cabina de instalación debe estar construida con materiales suficientemente fuertes para evitar daños durante la instalación y el uso frecuente.

- Los materiales del armario deben poder soportar el calor y la humedad producidos durante el funcionamiento y el uso del producto sin retorcerse ni deformarse.
- Instale el producto sobre una superficie firme y nivelada que pueda soportar el peso del producto sin doblarse. El producto debe estar nivelado tanto horizontal como verticalmente.
- Mantenga a los niños fuera de la zona durante la instalación.
- No utilice alargadores eléctricos ni regletas con este producto.
- No instale el frigorífico en lugares húmedos ni donde esté expuesto a agua corriente. El deterioro del aislamiento de las piezas eléctricas puede causar riesgo de descarga eléctrica.
- Conecte el frigorífico solo a agua potable. El agua no potable puede causar riesgos sanitarios.
- Si conecta el frigorífico a un circuito protegido mediante fusibles, utilice fusibles de acción retardada.

## Conexión eléctrica

### Utilice una toma exclusiva.

- Conectar varios dispositivos a una toma puede provocar un incendio.

### Conecte el enchufe con el cable de alimentación mirando hacia abajo.

No hacerlo puede dañar el enchufe o el cable y provocar un incendio o una descarga eléctrica.

### Al instalar o mover el frigorífico, tenga cuidado para no pasar por encima del cable de alimentación ni dañarlo. No apriete ni aplaste el cable ni el enchufe al empujar el frigorífico.

Hacerlo puede provocar un incendio o una descarga eléctrica.

### No permita que el cable de alimentación se doble, aplaste ni dañe. No pase el cable de alimentación bajo objetos pesados como muebles u otros electrodomésticos ni por zonas con mucho tránsito.

Hacerlo puede dañar el cable de alimentación y provocar un incendio o una descarga eléctrica.

### No aumente ni modifique el largo del cable de alimentación.

Utilice solo piezas de repuesto originales para evitar problemas eléctricos, incendios y descargas eléctricas.

### Apague el frigorífico antes de limpiarlo o moverlo.

- No hacerlo puede provocar una descarga eléctrica o lesiones.
- Pulse el botón POWER del panel de indicación durante tres segundos para apagar el frigorífico.

### No desconecte el cable ni toque el enchufe con las manos mojadas.

Hacerlo puede provocar una descarga eléctrica o lesiones.

### Elimine el agua y el polvo del enchufe e insértelo firmemente en la toma de corriente.

El polvo, el agua y las conexiones flojas pueden provocar un incendio o una descarga eléctrica.

### No desenchufe el frigorífico tirando del cable.

Hacerlo puede provocar una descarga eléctrica o un cortocircuito y causar un incendio.

### No utilice el cable de alimentación ni el enchufe si están dañados o si la toma está dañada.

Hacerlo puede provocar una descarga eléctrica o un cortocircuito y causar un incendio.

### Espere cinco minutos como mínimo al volver a conectar el enchufe o encender el frigorífico.

El compresor necesita tiempo para ponerse en marcha antes del reinicio.

Si el cable de alimentación está dañado, deben reemplazarlo el fabricante, uno de sus agentes de servicio técnico o una persona con una cualificación similar para evitar peligros.

## **⚠ PRECAUCIÓN**

**No quite la cubierta del dispensador automático de hielo.**

El mecanismo interno del equipo para fabricar hielo puede causar lesiones si se toca.

**No meta las manos bajo el frigorífico.**

Los bordes afilados, los ventiladores y los cables pueden causar lesiones.

**Guarde estas instrucciones para uso del inspector local.**

**Respete todos los códigos y ordenanzas aplicables.**

**Instalador: entregue estas instrucciones al cliente.**

**Cliente: guarde estas instrucciones con el manual del propietario para poder consultarlas en el futuro.**

## **Generalidades**

Estas instrucciones de instalación solo deben utilizarlas instaladores cualificados. Todas las conexiones de agua, electricidad y toma de tierra deben cumplir los códigos y las ordenanzas locales y debe realizarlas personal autorizado cuando sea necesario. Si no existe ningún código local:

- ✓ En los Estados Unidos, de acuerdo con la edición más reciente del National Electric Code (NEC), las normas del American National Standards Institute (ANSI) o la norma 70 de la National Fire Protection Association (NFPA), los códigos estatales y municipales o los códigos locales.
- ✓ En Canadá, de acuerdo con la edición más reciente de la serie C22.1 del Canadian Electric Code, los códigos provinciales y municipales o los códigos locales.

Frigorífico de puerta francesa de 36" y aproximadamente 532 lb/241 kg

# Antes de la instalación

## **ADVERTENCIA**

No almacene ni instale el electrodoméstico donde pueda estar expuesto a:

- inclemencias del tiempo
- daños por agua
- temperaturas inferiores a 32 °F (0 °C)

## Selección del lugar de instalación

### Temperatura y humedad

El electrodoméstico debe instalarse en una zona seca y bien ventilada. La temperatura ambiente debe permanecer entre 55 °F (13 °C) y 110 °F (43 °C) para evitar fallos. No instale el producto donde vaya a estar expuesto a luz solar directa ni cerca de una fuente de calor como un horno o un radiador.

## Dispositivos antivuelco

### **ADVERTENCIA: Peligro de vuelco**

- El electrodoméstico es muy pesado y puede volcar si se abre la puerta antes de instalarlo de forma segura.
- Instale los soportes antivuelco incluidos para evitar que el electrodoméstico vuelque. El método más seguro para instalar el electrodoméstico en una posición estable es utilizar los dispositivos antivuelco incluidos.
- No abra la puerta ni los cajones del electrodoméstico a menos que aún esté en el palé o estén encajados los soportes antivuelco.

Si la cabina de instalación es suficientemente robusta, acoplar el electrodoméstico a las paredes superior y laterales de dicha cabina de instalación puede proporcionar estabilidad adicional, siempre que la cabina de instalación esté conectada con firmeza a la pared trasera. Si tiene dudas, póngase en contacto con un arquitecto o un ingeniero estructural.

## Cabina de instalación

- El panel situado encima del electrodoméstico debe estar hecho de un material sólido (no tablero de fibra de densidad media [MDF]) de 5/8" (16 mm) de grosor como mínimo.
- Las paredes laterales de la cavidad o la cabina de instalación deben estar alineadas.
- Las 4 pulgadas (100 mm) delanteras de la superficie interior (porción del mueble) serán visibles cuando las puertas estén abiertas. Asegúrese de que esta zona tenga una profundidad mínima de 4 pulgadas.
- Siga las especificaciones de la cabina de instalación para asegurarse de que no haya problemas en la instalación.
- Lo más importante es que la cabina de instalación no esté fuera de escuadra. Utilice un nivel o mida las diagonales de la abertura para asegurarse de que las esquinas estén en ángulo recto.
- El electrodoméstico se acopla a los lados y a la parte superior de la cabina de instalación o los armarios adyacentes. Asegúrese de que la cabina de instalación o los armarios adyacentes estén conectados de forma segura al suelo o las estructuras de la pared.

## Suelo

### ⚠ ADVERTENCIA

- El suelo de la zona de instalación debe ser firme y rígido y estar nivelado para permitir una instalación segura y el mejor rendimiento.
- No instale el electrodomésticos sobre plataformas ni estructuras elevadas.
- La estructura situada bajo el electrodoméstico debe poder soportar el peso de dicho electrodoméstico sin inclinarse ni doblarse.
- Para obtener el mejor rendimiento y evitar fugas, nivele el electrodoméstico.

## Requisitos eléctricos

### ⚠ ADVERTENCIA

Peligro de descarga eléctrica

- Conecte el electrodoméstico a una toma para enchufes de tres clavijas con toma de tierra.
- No quite la clavija de la toma de tierra.
- No utilice adaptadores.
- No utilice alargadores eléctricos.

No seguir estas instrucciones puede provocar la muerte, un incendio o una descarga eléctrica. Siga todos los códigos estatales y locales o el NEC.

El electrodoméstico incluye un cable de alimentación de tres hilos homologado por Underwriters Laboratories (UL).

El electrodoméstico necesita una toma para tres hilos.

La toma debe instalarla un electricista autorizado.

## Toma de tierra

Este electrodoméstico debe tener toma de tierra. En caso de fallo o avería, la toma de tierra reduce el riesgo de descarga eléctrica al ofrecer una ruta de resistencia mínima a la corriente eléctrica.

### **ADVERTENCIA**

Una conexión incorrecta del conductor de toma de tierra del equipo puede provocar una descarga eléctrica. Un electricista o un técnico de servicio cualificados deben revisar el electrodoméstico si tiene dudas sobre si la toma de tierra de dicho electrodoméstico es correcta.

### **NOTA**

Algunos reglamentos locales pueden exigir una toma de tierra independiente. En ese caso, la toma de tierra, la abrazadera y el tornillo necesarios están disponibles como accesorios independientes y deben adquirirse por separado.

Nunca conecte a tierra el electrodoméstico en tuberías de agua, de gas ni de fontanería de plástico.

## Conexión de agua

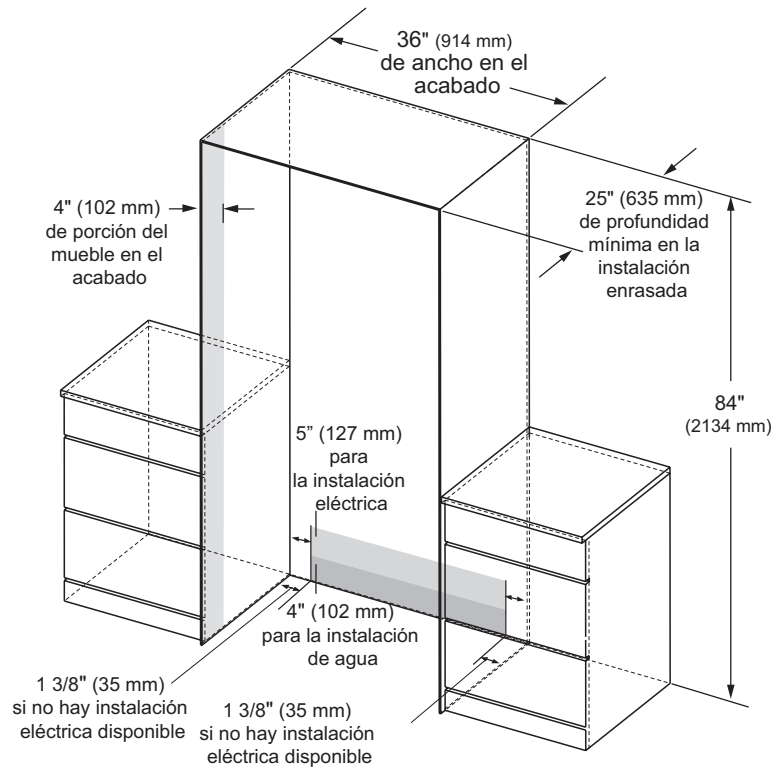
### **PRECAUCIÓN**

- Conecte el electrodoméstico solo a agua potable.
- El equipo automático para fabricar hielo necesita una conexión de agua fría. La presión del agua debe estar entre 20 y 120 psi (138-827 kPa).
- La instalación debe cumplir los reglamentos de fontanería locales.
- Debe instalarse una válvula de desconexión independiente en la conexión de agua del electrodoméstico.
- No utilice válvulas autoperforantes.
- No instale la válvula de desconexión del agua detrás del electrodoméstico. Debe poder accederse fácilmente a la válvula de desconexión.
- Instale la conexión de agua en la zona mostrada en el esquema bajo Dimensiones y espacio libre. La tubería de abastecimiento de agua puede estar a la derecha, a la izquierda o en el suelo. El diámetro exterior máximo de la tubería de abastecimiento (sin empalmes) es de 3/8" (9,5 mm).



## SKSFD3604P: FRIGORÍFICO DE PUERTA FRANCESA INTEGRADO DE 36"

### MEDIDAS DE ENCASTRE: INSTALACIÓN ENRASADA O SOBRESALIENTE



**NOTA:** El refrigerador puede instalarse enrasado o sobresaliente.

Enrasado: con 25" (635 mm) de profundidad de encastre, la parte delantera del congelador queda enrasada con los armarios adyacentes de 25" (635 mm) de profundidad.

Sobresaliente: con 24" (610 mm) de profundidad de encastre, la parte delantera del congelador sobresale aproximadamente 3/4" (19 mm) de los armarios adyacentes de 24" (610 mm) de profundidad.

- Se recomienda dejar una porción del mueble mínima en el acabado de 4" (102 mm) que coincida con el exterior del armario en todos los lados y en la parte superior de la abertura de encastre. La zona sombreada será visible tras la instalación.

#### ELECTRICIDAD

Se necesita una fuente de alimentación de 115 V, 60 Hz y 15 o 20 A. Si es necesario desconectar el equipo después de instalarlo, se necesitará un circuito de derivación o un disyuntor adecuadamente conectado a tierra. Instale una toma eléctrica para enchufes de tres clavijas correctamente conectada a tierra. La toma debe estar en la pared trasera, como se muestra. Nota: No se recomienda utilizar interruptores diferenciales (ID).

#### RED DE ABASTECIMIENTO DE AGUA

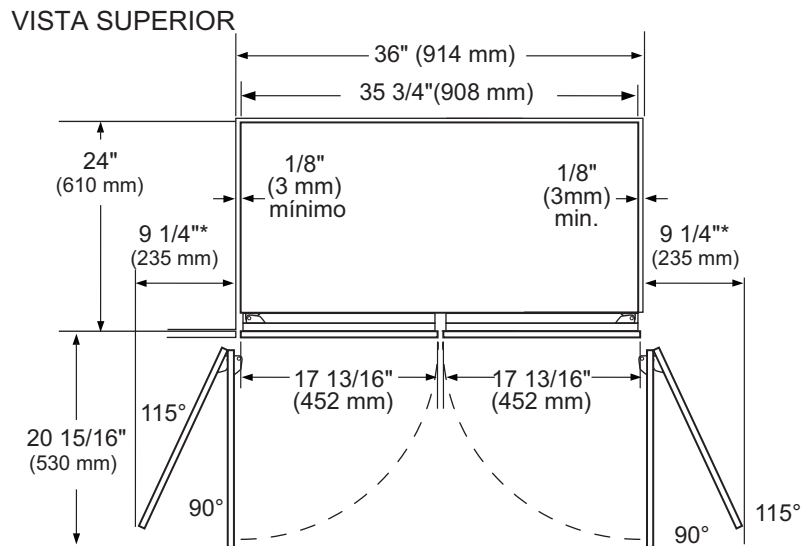
La presión del agua debe estar entre 20 y 120 psi.

La tubería debe ser suficientemente larga para llegar a la parte delantera del congelador. Deje bastante tubería para colocar un codo que dé paso a la conexión de la red de abastecimiento de agua.

La tubería de agua puede entrar en la abertura desde el suelo o la pared trasera.

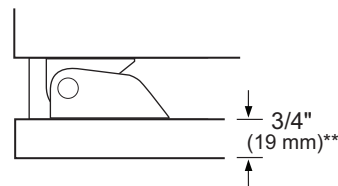
Instale una válvula de desconexión entre la válvula de agua del equipo para fabricar hielo y el abastecimiento de agua fría de la vivienda.

## ESPACIO LIBRE EN LA INSTALACIÓN



\*\*A esta dimensión debe añadirse el tirador de la puerta.

\*\*Varía en función del grosor del panel del armario personalizado. 3/4" (19 mm) son necesarias si se utiliza el kit de paneles de la puerta de acero inoxidable (accesorio opcional).



### NOTA

#### Espacio libre para la oscilación de la puerta

En la instalación debe dejarse espacio libre respecto a los armarios o las paredes adyacentes. Este congelador está equipado con un tope de puerta de dos posiciones.

La oscilación de la puerta de 115° ajustada de fábrica puede ajustarse a 90° si el espacio libre respecto a los armarios o las paredes adyacentes está limitado.

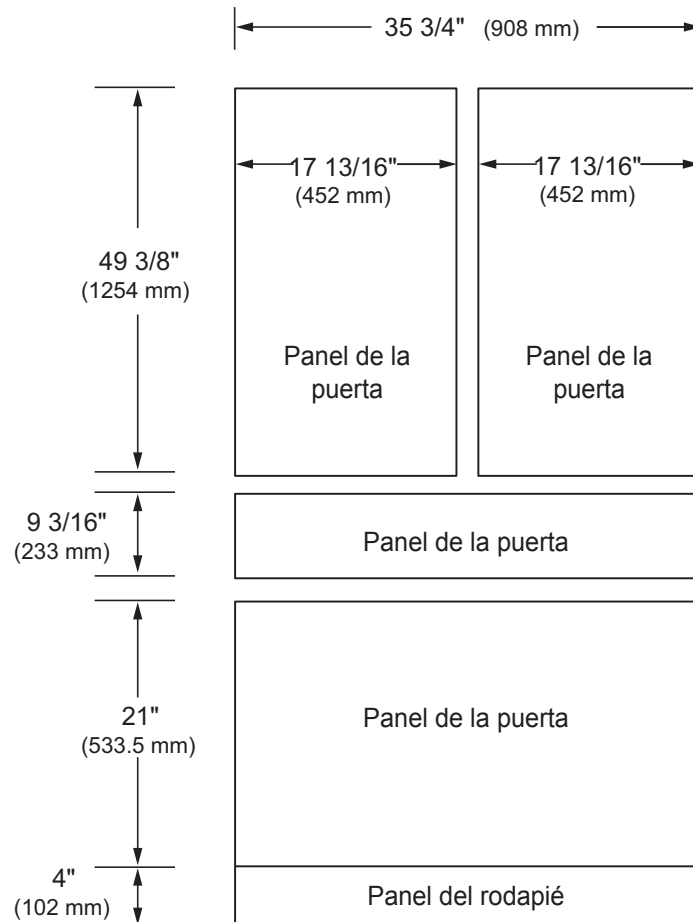
#### Espacio libre para el tirador de la puerta

Debe añadirse la profundidad del tirador de la puerta a las dimensiones donde se indica para determinar el espacio libre total necesario respecto a los armarios o las paredes adyacentes.

Este espacio libre varía dependiendo del tirador personalizado utilizado. Si se utilizan tiradores de Signature Kitchen Suite o el kit de paneles de la puerta de acero inoxidable de Signature Kitchen Suite con tiradores (accesorios opcionales), el espacio libre para el tirador de la puerta con la puerta abierta 115° es de 12" (305 mm).

## SKSFD3604P: FRIGORÍFICO DE PUERTA FRANCESA INTEGRADO DE 36"

### DIMENSIONES DEL PANEL PERSONALIZADO DE 3/4" (19 mm): INSTALACIÓN ENRASADA



#### NOTAS

Las unidades recortadas están diseñadas para personalizarse con paneles decorativos. Se deben instalar in situ paneles de la puerta personalizados de 3/4" (19 mm).

Para los paneles personalizados: utilice plantillas incluidas con las unidades para hacer previamente orificios para los soportes de montaje de los paneles (incluidos con las unidades). Las unidades también incluyen tornillos ajustadores e instrucciones.

El peso total máximo de los paneles personalizados para el modelo de puerta francesa de 36" es de 88 lb. Para conocer los pesos máximos de cada panel, consulte la hoja de especificaciones.

#### CONSEJOS DE DISEÑO

4" (102 mm) serán visibles en los lados interiores del encastre. Se recomienda que el acabado del interior de la cabina de instalación coincida con el exterior. Para instalaciones de acondicionamiento o repuesto, puede utilizarse el kit de bastidor opcional.

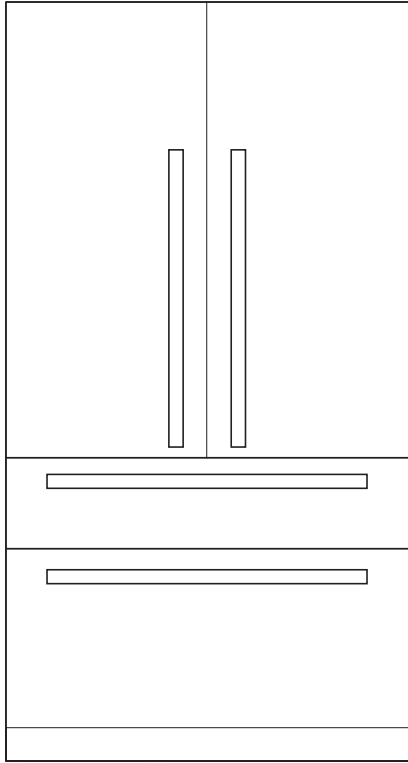
Si se utilizan paneles personalizados, es necesario un rodapié personalizado.

La parte inferior de la caja está sin acabar.

Tiradores de las puertas: las unidades no incluyen tiradores.

Se necesitan tiradores personalizados para la instalación. Tiene a su disposición tiradores de aluminio cepillado como accesorio opcional.

## ACCESORIOS OPCIONALES: INSTALACIÓN ENRASADA O SOBRESALIENTE



### SKSPK360FS: KIT DE PANELES DE ACERO INOXIDABLE PARA FRIGORÍFICO DE PUERTA FRANCESA DE 36"

Esta unidad puede instalarse con un kit de paneles de acero inoxidable opcional. El kit incluye dos paneles de la puerta para alimentos frescos, un panel del cajón convertible, un panel del cajón del congelador, un rodapié y cuatro tiradores.

### SKSFK800CS: KIT DE BASTIDOR

Esta unidad puede instalarse en un encastre con una profundidad de 610 mm (24") con un kit de bastidor opcional. El kit incluye dos piezas de moldura laterales de aluminio cepillado de 2032 mm (80"). Cada pieza de moldura tiene una profundidad de 127 mm (5") con una parte delantera de 3 mm (1/8").

### TIRADORES PARA PANELES PERSONALIZADOS

SKSHK310HS: tirador de aluminio cepillado medio de 31 11/16" (805 mm)

### CONSEJOS DE DISEÑO

El kit de paneles de acero inoxidable puede utilizarse en una instalación de encastre enrasado de 25" (635 mm) de profundidad o en una instalación de encastre sobresaliente de 24" (610 mm) de profundidad.

El kit de bastidor opcional se recomienda para instalaciones de acondicionamiento o repuesto en las que el encastre existente tenga 24" (610 mm) de profundidad.

## Herramientas y accesorios necesarios


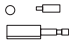


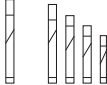

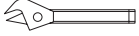

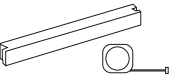

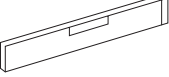
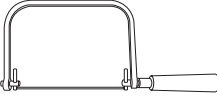
### Accesorios incluidos

- Instrucciones de instalación
- Instrucciones de uso
- Kit de instalación
- Filtro de agua (incluido con el frigorífico)

### Otros

- Escalera
- Carretilla
- Taladradora para hacer orificios en la pared o el suelo
- Brocas de varios tamaños y adecuadas para los materiales
- Tornillos para madera de diferentes tamaños
- Chapa fina de contrachapado, aglomerado o cartón para que no se dañe el suelo
- Material adecuado para cubrir y proteger los muebles (por ejemplo, láminas protectoras)
- Cinta adhesiva

### Herramientas

	Destornillador inalámbrico
	Punta Torx T20, T30 + soporte magnético (incluidos)
	Destornillador Torx T20, T30
	Llave de tuerca hexagonal de 6/16" (10 mm)
	Diferentes brocas
	Alicate multiagarre
	Llave inglesa
	Cúter con hoja ajustable
	Cinta métrica metálica, regla plegable
	Escuadra
	Nivel, largo 2' (60 cm) y 4' (1,2 m)
	Sierra para cortar piezas superiores de la moldura (solo para la instalación de acondicionamiento)

# Instalación

Las siguientes instrucciones de instalación describen los pasos de la instalación para diferentes tipos de electrodomésticos:

- Frigoríficos con dispensador de agua
- Congeladores con equipo para fabricar hielo
- Unidades de frigorífico y congelador integrados con dispensador de agua y equipo para fabricar hielo

Los esquemas pueden ser una representación general de su electrodoméstico.

Se hace referencia en particular a pasos especiales de la instalación necesarios en tipos concretos de electrodomésticos.

## Desembalaje

### ⚠ ADVERTENCIA

Para evitar lesiones graves o daños en el producto:

- NO abra las puertas del electrodoméstico a menos que el producto esté asegurado para que no vuelque.
- El electrodoméstico es muy pesado y es propenso a volcar si no se asegura.
- Para evitar lesiones, se necesitan dos personas como mínimo y las técnicas adecuadas para levantar el electrodoméstico.

Revise el electrodoméstico para comprobar que no haya sufrido daños durante el traslado.

No instale el electrodoméstico si está visiblemente dañado. Si tiene dudas, póngase en contacto con su distribuidor.

1. Quite la caja de embalaje con cuidado para no dañar la superficie del electrodoméstico.
2. Para no dañar el suelo, coloque contrachapado o cartón de embalaje bajo el electrodoméstico.
3. Quite los accesorios de los lados y la parte inferior del electrodoméstico.

#### NOTA:

Para no dañar las piezas, no quite los materiales protectores de envío del interior del electrodoméstico hasta completar la instalación.

#### 4. Installation Preparation

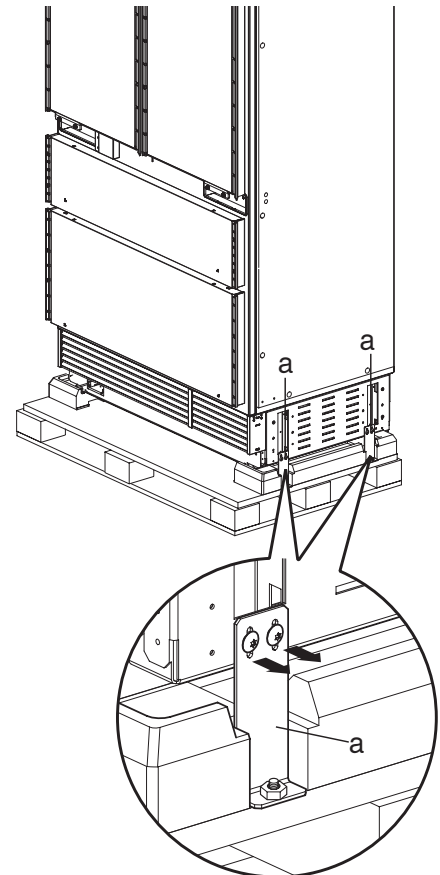
Unpack installation materials and accessories.

To simplify installation, the packages are identified with labels A, B and C corresponding to the manual sections.

#### PRECAUCIÓN:

El electrodoméstico es muy pesado. Se necesitan dos personas como mínimo para levantar o mover el electrodoméstico.

5. Quite los soportes de envío (a) y separe el electrodoméstico del palé.



## Movimiento del electrodoméstico

### ⚠️ ADVERTENCIA

- Para evitar lesiones, se necesitan dos personas como mínimo y las técnicas adecuadas para levantar o mover el electrodoméstico.
- Si el electrodoméstico no puede transportarse en posición vertical, transpórtelo horizontalmente.

#### Para evitar daños en el producto:

- No incline el electrodoméstico hacia los lados ni lo tienda de lado.
- Asegúrese de que haya espacio suficiente para que el electrodoméstico esté de pie antes de ponerlo de pie.
- Utilice una carretilla o una transpaleta para transportar el electrodoméstico.
- Transporte el electrodoméstico SOLO desde su parte trasera.
- Asegure el electrodoméstico durante el transporte para que no vuelque.

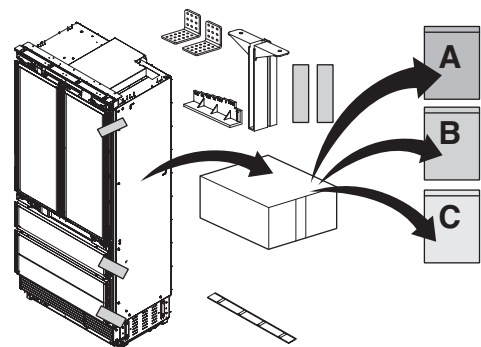
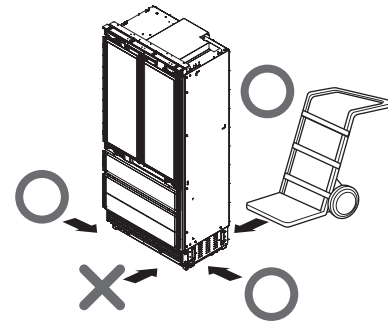


ESPAÑOL

### Circunstancias especiales

Antes de proceder a instalar el electrodoméstico, compruebe si alguna de las circunstancias especiales que se indican a continuación se aplican a su instalación. En caso afirmativo, siga las instrucciones correspondientes de la sección Instalaciones especiales antes de continuar con la instalación.

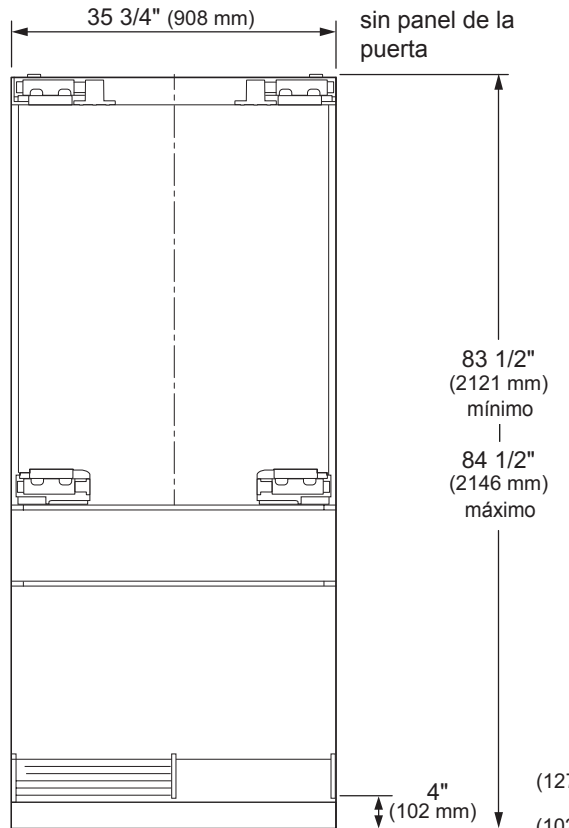
- Instalación de acondicionamiento en cabina de instalación existente: consulte la sección Accesorio de kit de bastidor opcional.
- Oscilación invertida de la puerta: consulte la sección Inversión de la puerta.
- Instalación en paralelo de dos electrodomésticos: consulte la sección Instalación en paralelo.



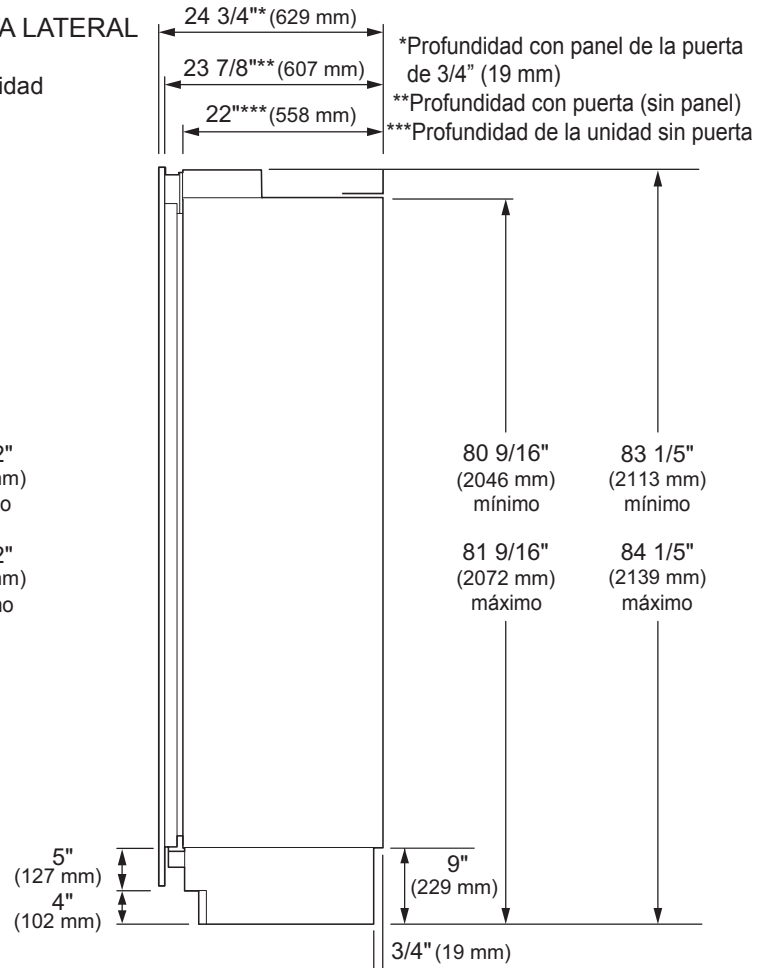
# Dimensiones del producto

## Columna de frigorífico y congelador de 36"

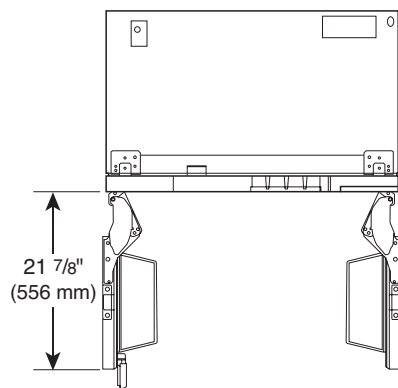
VISTA DELANTERA



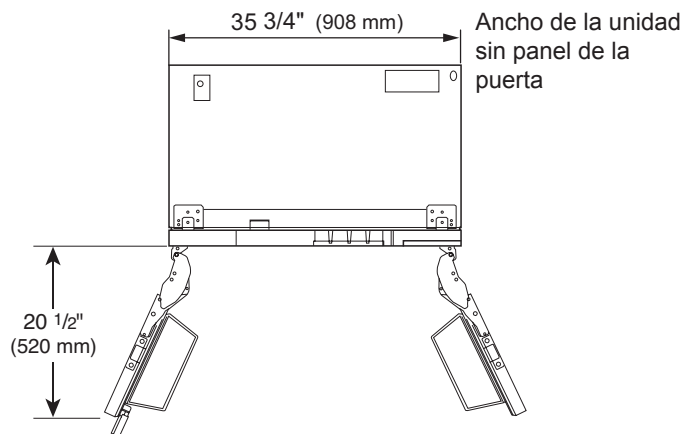
VISTA LATERAL



VISTA SUPERIOR CON LA PUERTA ABIERTA A 90°



VISTA SUPERIOR CON LA PUERTA ABIERTA A 115°





## A

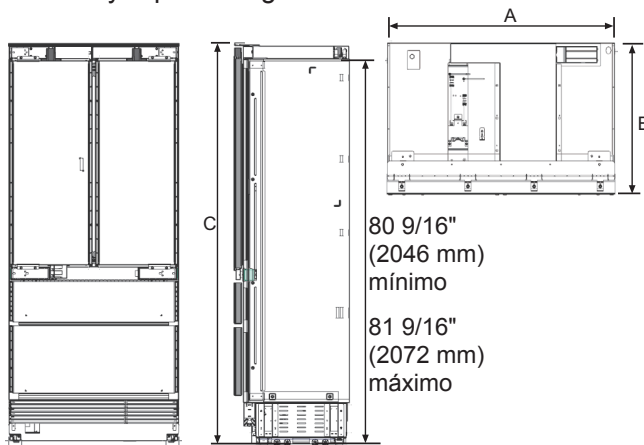
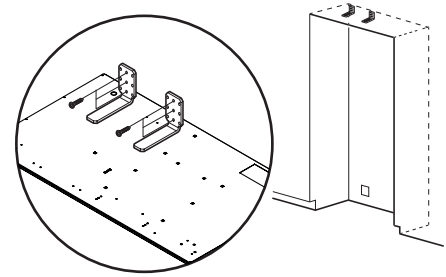
## Instalación de los soportes antivuelco

### ⚠ ADVERTENCIA

Para evitar lesiones y daños, compruebe el cableado eléctrico y la fontanería de las paredes antes de perforar o instalar tornillos.

### ⚠ PRECAUCIÓN

Para evitar lesiones, aplique todas las prácticas de seguridad durante la instalación, incluido el uso de gafas protectoras y ropa de seguridad.



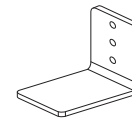
	Unidad de 36"
A (ancho)	35 3/4" (908mm)
B (profundidad)	23 7/8" (607mm)
C (alto)	83 1/2" (2121mm) mínimo.

### NOTA:

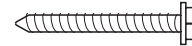
Cada electrodoméstico necesita dos soportes antivuelco.

Los soportes antivuelco deben superponerse un mínimo de 2 1/8" (54 mm) al electrodoméstico para asegurarlo.

1. Instale los soportes antivuelco en la parte trasera de la cabina de instalación, con la base de los soportes a 3 5/16" de la parte superior de dicha cabina de instalación.
2. Asegúrese de que los soportes antivuelco estén firmemente acoplados a un taco u otra estructura que soporte el peso.  
No acople los soportes a paneles de yeso, bloques ni hormigón sin curar.  
Para garantizar la seguridad, debe acoplarse un soporte como mínimo a un taco. Acople los soportes a tacos siempre que sea posible en la cabina de instalación. Utilice tres tornillos o pernos como mínimo para acoplar cada soporte.



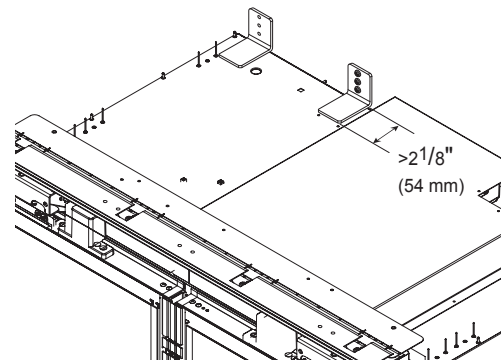
Soportes antivuelco (2)



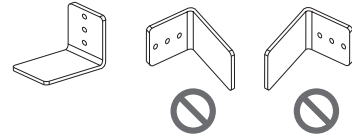
Hormigón /  
Pared de madera  
5X45 6X (Hex)



6x30 6X

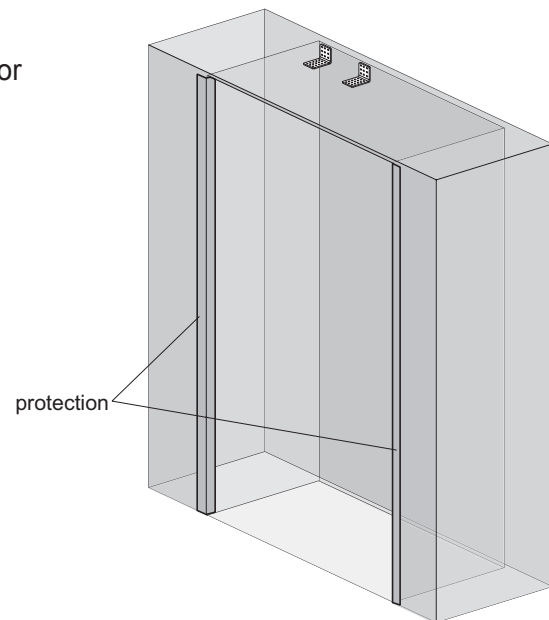


Los soportes deben colocarse según lo indicado en la imagen de la derecha. Si los soportes se instalan en otra dirección no podrían evitar el vuelco de la unidad.



## Protección de los bordes de la cabina de instalación

Para proteger los bordes delanteros de la cabina de instalación, pegue cartón fino u otro material protector alrededor de dichos bordes.



## Instalación del electrodoméstico en la cabina de instalación

### ⚠ ADVERTENCIA

Se necesitan dos personas como mínimo para instalar el electrodoméstico. Tenga cuidado al mover el electrodoméstico. Es muy pesado y es propenso a volcar si no se asegura.

### ⚠ PRECAUCIÓN

Tenga cuidado para no dañar la red de abastecimiento de agua ni el cable de alimentación al introducir el electrodoméstico en la cabina de instalación.

Antes de colocar la unidad en posición, asegure la puerta y los cajones para que no se abran y proteja el suelo.

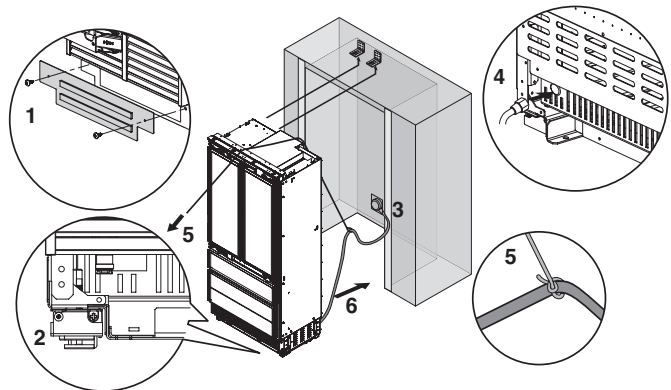
Utilice una carretilla para acercar la unidad a la abertura.

Las patas niveladoras delanteras están extendidas bajo los rodillos delanteros para aumentar la estabilidad durante la colocación. Una vez colocada la unidad delante de la abertura, recoja completamente las patas niveladoras delanteras para que dicha unidad pueda rodar hasta su posición. Las patas niveladoras delanteras y traseras pueden ajustarse desde la parte delantera una vez colocada la unidad.

Si la unidad ha estado tendida sobre su parte trasera, debe estar de pie durante 24 horas como mínimo antes de encenderse.

Después de que el electrodoméstico ruede hasta su posición, compruebe que los soportes antivuelco estén correctamente encajados.

1. Quite el panel de la base.
2. Recoja las patas niveladoras para poder empujar el electrodoméstico hacia adelante.
3. Conecte el cable de alimentación a la toma.
4. Empuje la tubería de agua por el orificio situado en la parte trasera del electrodoméstico hasta que salga por el orificio situado en la parte delantera de dicho electrodoméstico.
5. Ate una cuerda larga alrededor de la mitad del cable de alimentación. Pase la cuerda por la parte superior del electrodoméstico, tire de ella hasta que el cable de alimentación esté bien separado del suelo y, a continuación, pegue la cuerda a la parte delantera de dicho electrodoméstico para mantener el cable de alimentación mencionado separado del suelo. No apriete ni tense el cable de alimentación. Asegúrese de que continúe conectado.
6. Introduzca con cuidado el electrodoméstico en la cabina de instalación, asegurándose de no apretar el cable de alimentación ni la tubería de agua bajo dicho electrodoméstico ni detrás de él.
7. Quite la protección de los bordes de la cabina de instalación.



## Alineación y nivelación del electrodoméstico

### AJUSTE DE LA PROFUNDIDAD

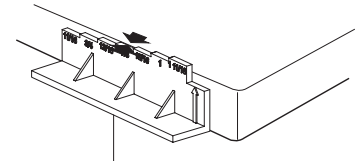
Ajuste la profundidad de la unidad en la cabina de instalación para que los paneles de la puerta queden enrasados con los armarios que lo rodean. Utilice la herramienta de medida incluida para realizar un ajuste preciso.

#### 1. Mida el grosor de los paneles decorativos de la puerta utilizando la herramienta de medida.

Coloque el panel de la puerta sobre una superficie plana y protegida y sitúe la herramienta de medida junto a dicho panel. Marque la muesca de la herramienta de medida que coincida con el grosor del panel de la puerta.

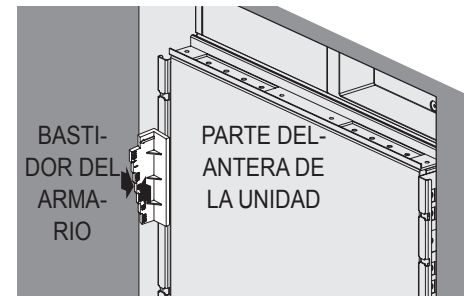
#### 2. Utilice la marca de la herramienta de medida para ajustar la profundidad del electrodoméstico en la cabina de instalación.

Coloque la herramienta de medida sobre la puerta cerrada del electrodoméstico, en un lado de la cabina de instalación. La muesca marcada en la herramienta de medida debe estar alineada con el borde delantero de la cabina de instalación.



Herramienta de medida

Mida el grosor del panel

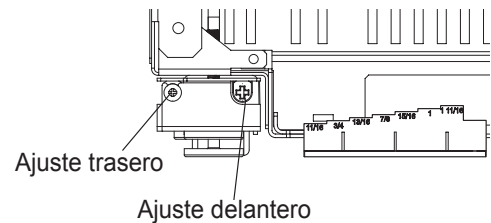


Alinee la profundidad de la unidad

Tanto las patas niveladoras delanteras como las traseras pueden ajustarse desde la parte delantera.

Delanteras: utilice un destornillador Phillips de 5/16" (8 mm) con barra flexible.

Traseras: utilice un destornillador Phillips de 5/16" (8 mm) con barra flexible.



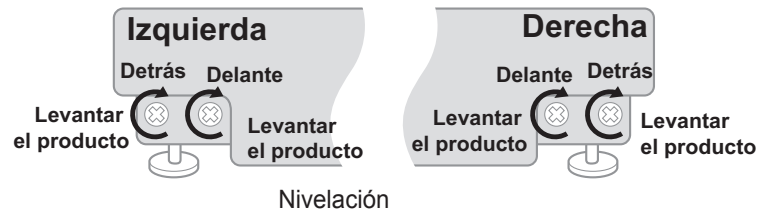
## **⚠️ ADVERTENCIA**

Para reducir la posibilidad de que la unidad vuelque hacia adelante, las patas niveladoras delanteras deben estar en contacto con el suelo.

## **NIVELACIÓN**

Una vez alineado correctamente el electrodoméstico en la cabina de instalación, nivélelo utilizando las patas niveladoras delanteras y traseras.

1. Utilice un destornillador Phillips para extender las patas niveladoras delanteras y traseras hasta que estén firmemente en contacto con el suelo.



2. Gire los tornillos como se muestra arriba para levantar el electrodoméstico. Gire los tornillos en sentido contrario para bajar el electrodoméstico.
3. Asegúrese de que sean las patas, y no las ruedas, las que soporten el peso del frigorífico.
4. Utilice una aplicación de nivelación de su teléfono inteligente o coloque un nivel en la parte superior y los lados del electrodoméstico para comprobar que esté nivelado y vertical. También puede utilizar la herramienta de medida incluida para medir la distancia existente entre el borde inferior del electrodoméstico y el suelo en las esquinas delanteras.

## **⚠️ PRECAUCIÓN**

- Si utiliza una taladradora mecánica, ajústela en el par de torsión más bajo.
- Deje al menos 10 mm (3/8 pulgadas) entre la parte delantera superior del electrodoméstico y la parte superior de la cabina de instalación para colocar la tira de relleno superior.
- No supere los 2,25 Nm (20 libras por pulgada) de par de torsión.
- 20 revoluciones que equivalen a 2 mm (1/16") de ajuste de altura.

## Acoplamiento del electrodoméstico a la cabina de instalación

### ⚠️ ADVERTENCIA

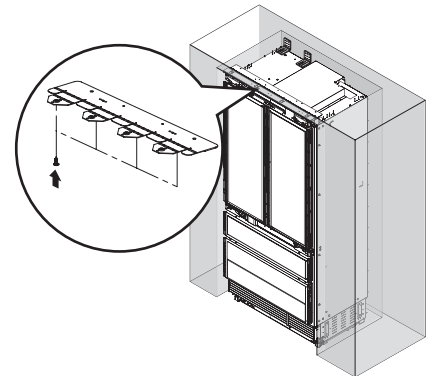
- Para evitar el vuelco, el electrodoméstico debe estar acoplado a la parte superior de la cabina de instalación.
- La parte superior de la cabina de instalación debe estar hecha de un material sólido (no MDF) de 5/8" (16 mm) de grosor como mínimo.

1. Atornille las lengüetas del soporte de seguridad de la parte superior del electrodoméstico a la parte superior de la cabina de instalación.
2. Si hay mucho espacio entre la parte superior del electrodoméstico y la parte superior de la cabina de instalación, inserte una pieza de madera entre las lengüetas y la parte superior de dicha cabina de instalación para rellenar el mencionado espacio.
3. Atornille los soportes de seguridad laterales a los lados de la cabina de instalación.

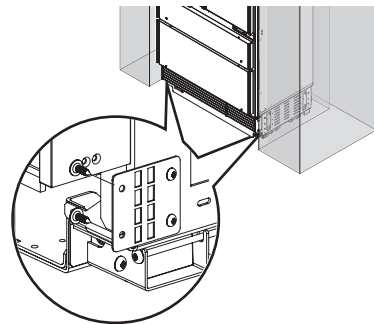
**NOTA:** Si instala dos electrodomésticos en paralelo, acóplelos con el kit de unificación. Acóplelos a los lados de la cabina de instalación como si fueran una unidad.

4. Deslice la pieza superior desde la unidad de relleno delantera (a) en la parte superior del electrodoméstico hasta que encaje con el soporte de seguridad superior.
5. Una vez colocada la pieza superior de la unidad de relleno, deslice la base de la unidad de relleno bajo ella y encaje la parte superior con la base (b).

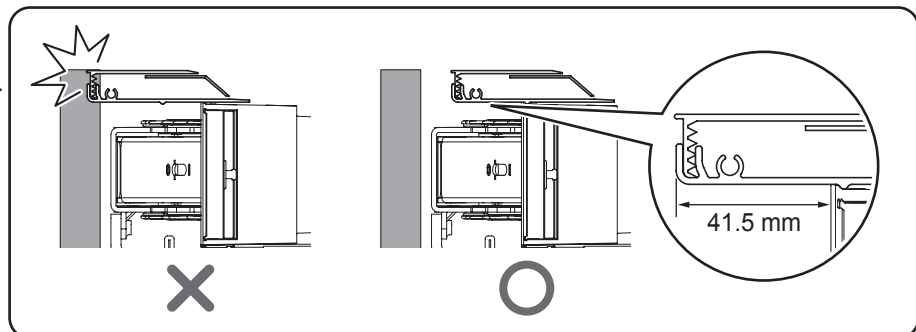
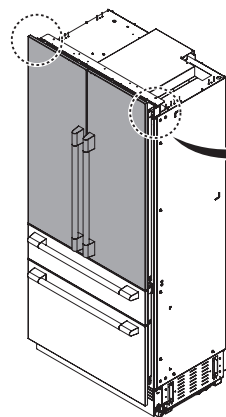
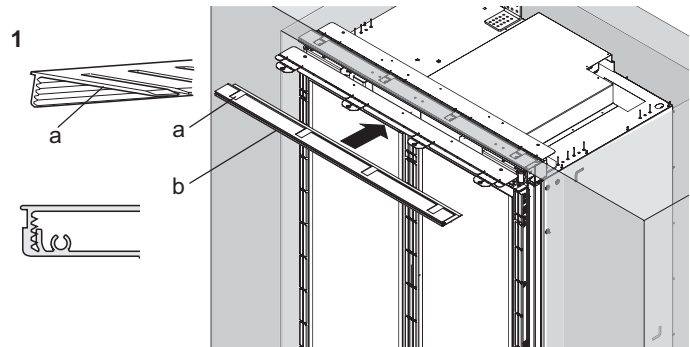
**NOTA:** Para instalar dos electrodomésticos en paralelo, acople las dos cubiertas superiores utilizando el perno del paquete de accesorios.



 4X15 4X



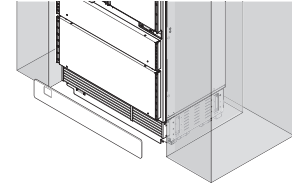
 4X15 4X



## Acoplamiento del panel del rodapié

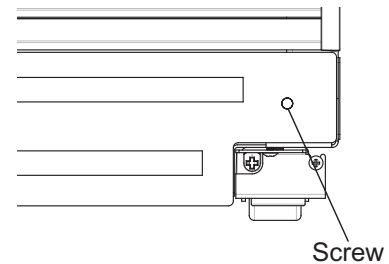
### **⚠ PRECAUCIÓN**

Para evitar daños en el electrodoméstico, no bloquee las ranuras de ventilación del panel de la base.



### Panel inoxidable del rodapié (accesorio opcional)

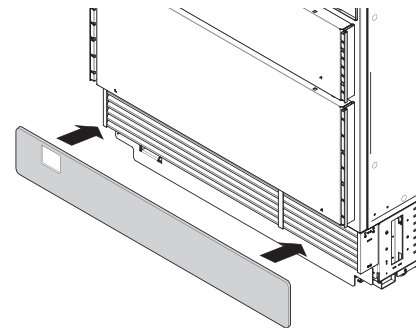
1. Atornille el panel de la base al electrodoméstico.
2. Quite la película protectora del adhesivo de las bandas magnéticas incluidas.
3. Pegue las bandas magnéticas a la parte trasera del panel inoxidable del rodapié.
4. Acople el panel inoxidable del rodapié al panel de la base utilizando las bandas magnéticas.



ESPAÑOL

### Panel de madera del rodapié

1. Si es necesario, recorte el panel de madera para ajustarlo al ancho de la cabina de instalación.
2. Atornille el panel de la base al electrodoméstico.
3. Quite la película protectora del adhesivo de las bandas magnéticas incluidas.
4. Pegue las bandas magnéticas a la parte trasera del panel de madera del rodapié.
5. Acople el panel de madera del rodapié al panel de la base utilizando las bandas magnéticas.

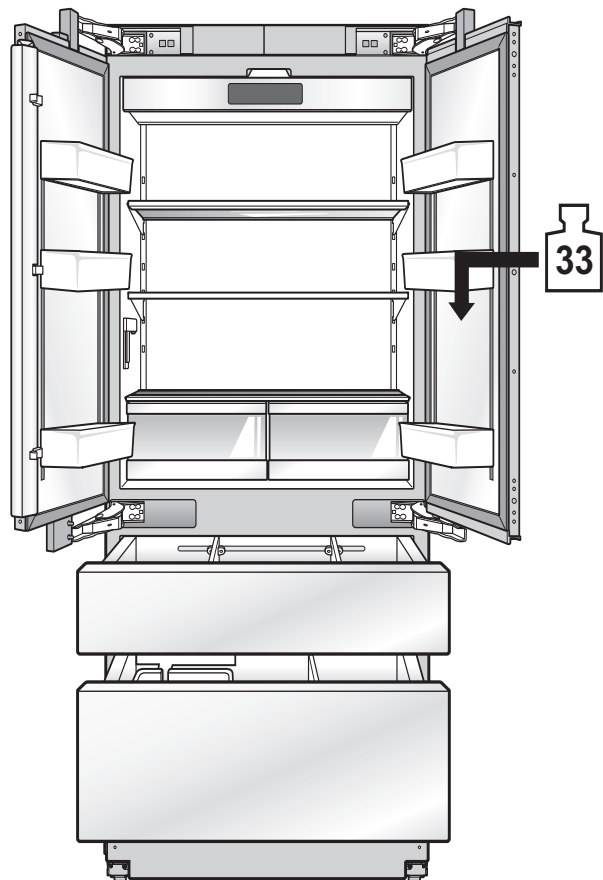


## Carga de la puerta del electrodoméstico

Para obtener resultados precisos, antes de acoplar los paneles de la puerta, cargue los compartimentos de dicha puerta con peso para asegurarse de que el ancho siga siendo correcto tras almacenar alimentos en la mencionada puerta.

Recomendaciones:

- Electrodoméstico de 36": 33 lb/15 kg





## C

## Instalación de los paneles de la puerta

Las dimensiones típicas de los paneles se basan en un alto de 84" (213,4 cm) en el acabado con 1/8" (3,2 mm) a la vista. La colocación de la plantilla debe ajustarse en paneles que superen las dimensiones típicas.

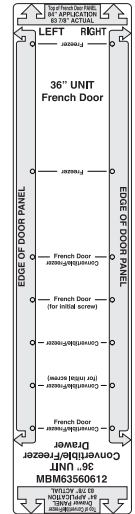
Los paneles de la puerta deben instalarse en primer lugar, seguidos por el panel del cajón superior y, a continuación, el del inferior si es necesario.

1. Coloque el panel de la puerta boca abajo sobre una superficie protegida.
2. Localice el lado correcto de la plantilla de paneles de la puerta correspondiente a su producto y coloque la plantilla enrasada con los lados superior e izquierdo del panel.
3. Utilice la plantilla para marcar las posiciones correctas de los tornillos en la parte trasera del panel.
4. Deslice la plantilla a la derecha para que quede enrasada con los lados superior y derecho del panel.
5. Utilice la plantilla para marcar las posiciones correctas de los tornillos en la parte trasera del panel.
6. Empiece insertando un tornillo número 8 de 1/2" en el quinto orificio desde la parte superior en cada lado. Deténgase cuando los tornillos sobresalgan 3/16" (4 mm) del panel. Estos serán los tornillos de soporte durante la instalación del panel.
7. Inserte los tornillos de soporte en los orificios ranurados de los soportes de montaje de la puerta del electrodoméstico para que el panel cuelgue de la puerta.

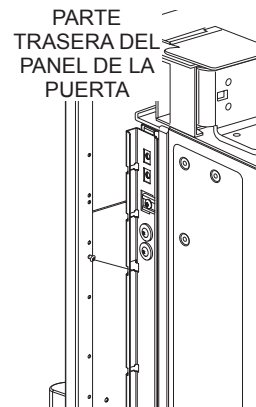
PANEL DE LA PUERTA SUPERIOR



PANEL DE LA PUERTA INFERIOR



ESPAÑOL



Montaje del panel de la puerta

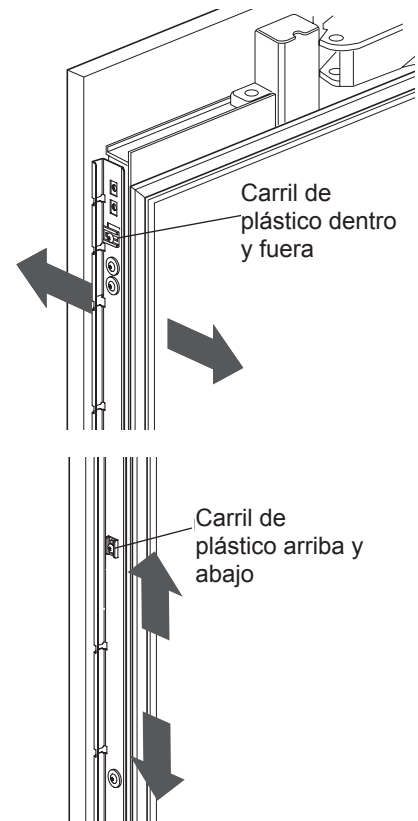
### ⚠ PRECAUCIÓN

Tenga cuidado con los puntos de aplastamiento al instalar los paneles de la puerta o abrir y cerrar las puertas.

## Ajuste de los paneles de la puerta

Ahora pueden hacerse ajustes finos para alinear los paneles de la puerta.

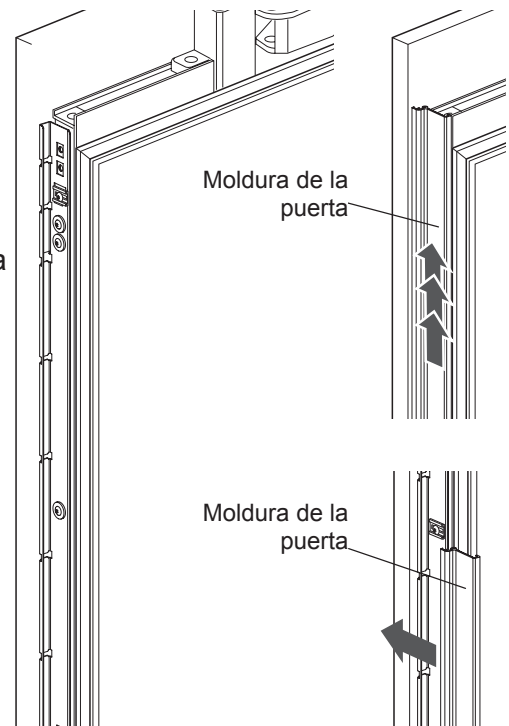
1. Para ajustar el panel de la puerta horizontalmente, deslice los tornillos de soporte del panel a la izquierda o a la derecha en los orificios ranurados como desee. Pídale a otra persona que sostenga el panel en su sitio mientras aprieta los tornillos de soporte e inserta y aprieta todos los tornillos de montaje restantes.
2. Para ajustar el panel de la puerta verticalmente o hacia atrás y adelante, afloje los tornillos del soporte de la puerta del electrodoméstico. Mueva los carriles de plástico para hacer los ajustes deseados. Pídale a otra persona que sostenga el soporte en su sitio mientras aprieta todos los tornillos del soporte.



## Instalación de la moldura de la puerta

Una vez ajustados los paneles, instale la moldura lateral decorativa en las puertas.

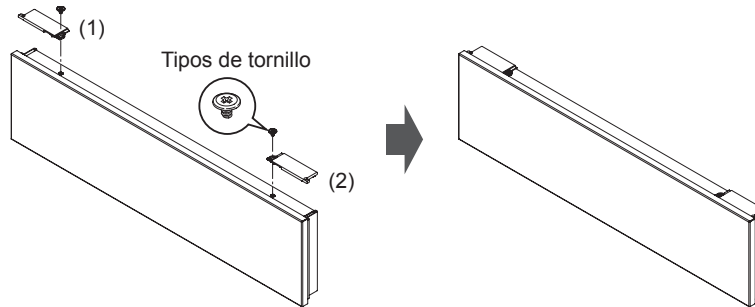
Para instalarla, empiece por el medio y alinee la moldura con los rebordes delantero y trasero del soporte y, a continuación, encájela empujando dicha moldura hacia la parte trasera del panel. Una vez asegurado el medio, continúe la instalación hacia arriba hasta asegurar completamente la moldura restante.



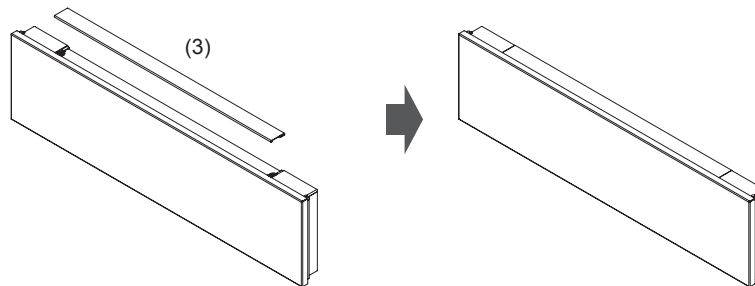
## Instalación de la moldura superior (acabado) para las puertas de los compartimientos de congelador/cámara convertible

Tras instalar la moldura de la puerta lateral (acabado), instale la moldura superior (acabado) de las puertas de los compartimientos de congelador/cámara convertible.

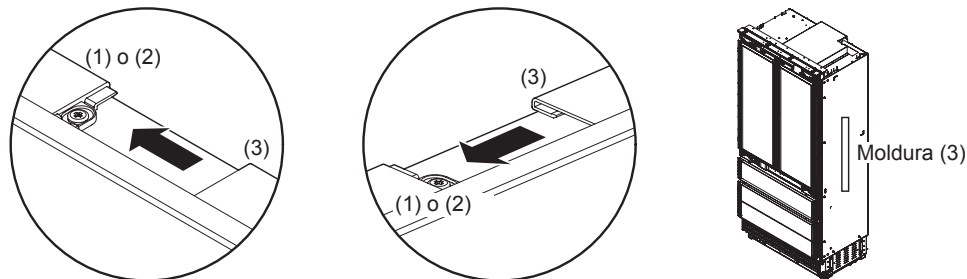
1. Utilice los tornillos de instalación incluidos para fijar las molduras (acabado) (1) y (2) en los lados izquierdo y derecho.



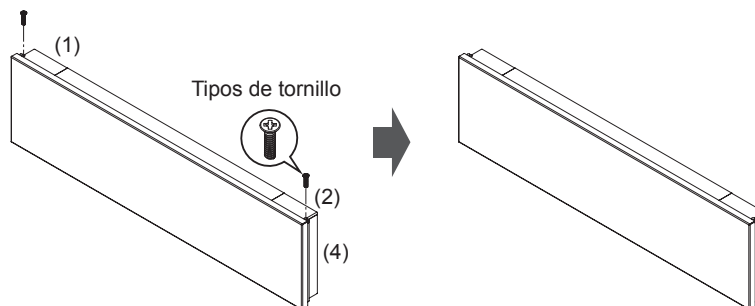
2. Inserte la moldura (3) en las molduras (1) y (2) y fíjela. Sin embargo, al fijar la moldura (3), retire el separador de la cinta de doble cara colocada en la moldura (3) y desplácela hacia las molduras (1) y (2) para fijarla.



**Nota:** Dirección de inserción de la moldura (3)



3. Utilice los tornillos de instalación incluidos y la moldura de la puerta (4) para fijar las molduras (1) y (2).



4. Tras instalar las molduras (material de acabado), compruebe los intervalos y los pasos entre las molduras y ajústelos con precisión.

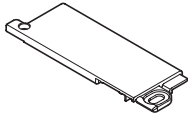
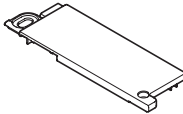
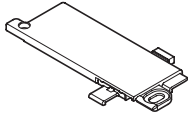
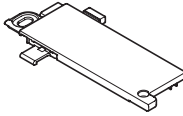
## **⚠ PRECAUCIÓN**

- Si ha comprado el kit de panel de acero inoxidable (CP-D36R.AKOR) para el frigorífico de puerta francesa de 91,44 cm, un accesorio opcional, las molduras superiores (material de acabado) de las puertas de compartimento de congelador y cámara convertible, (1) y (2), serán distintas.

Sin embargo, el método de instalación es el mismo.

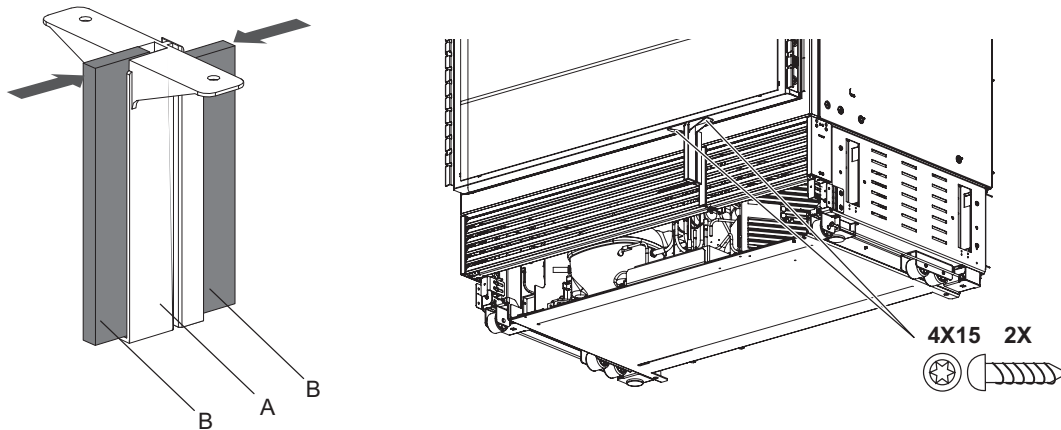
Compruebe el método de instalación anterior e instale la moldura superior (material de acabado) de la puerta.

- Las molduras (1) y (2) son distintas porque el panel del congelador de acero inoxidable está equipado con un asa de apertura fácil que facilita la apertura de la puerta del congelador.

	<b>Moldura (1)</b>	<b>Moldura (2)</b>
<b>Moldura de la cámara convertible</b>		
<b>Moldura del compartimento del congelador</b> <ul style="list-style-type: none"> <li>• Esto solo se aplica si ha comprado el accesorio opcional.</li> </ul>		

## Acoplamiento del separador de aire

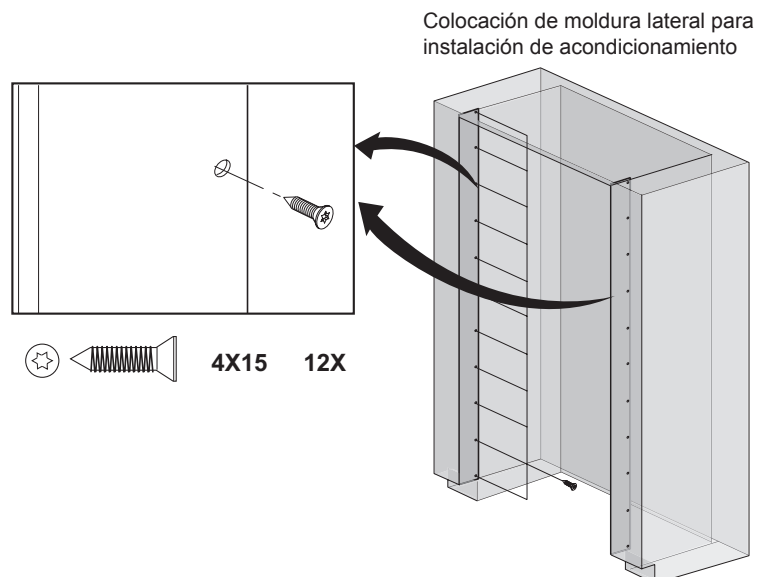
Ensamble A con B y acóplelos en la parte central delantera inferior de la puerta.



## Instalaciones especiales

### Accesorio de kit de bastidor opcional

Adquiera e instale el kit de bastidor opcional para instalaciones de acondicionamiento en paralelo. El kit incluye piezas de moldura de acero inoxidable para proteger los bordes delanteros del interior de la cabina de instalación. Consulte las instrucciones de instalación detalladas que se suministran con el kit.



## Ajuste del muelle de la puerta

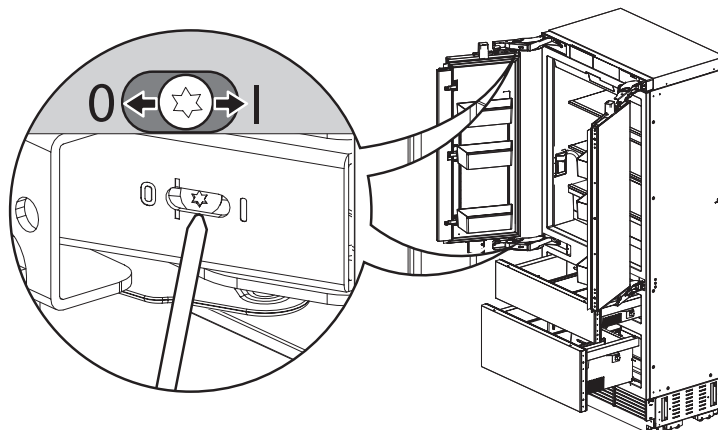
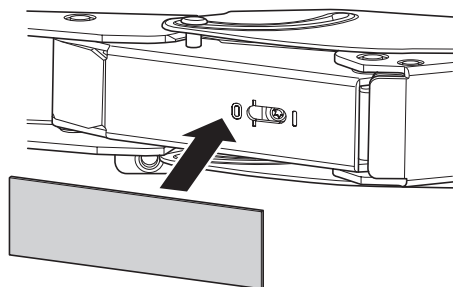
Gire el tornillo ajustador con la punta T20 incluida.

I = tensión máxima del muelle

0 = muelle sin tensión

Se recomienda utilizar la tensión máxima del muelle.

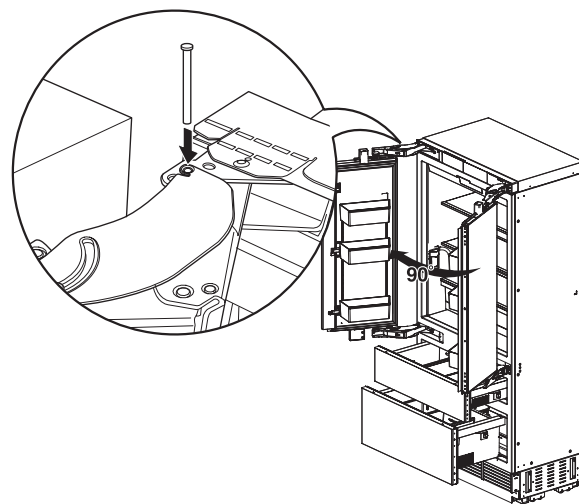
(Opcional) Después de ajustar el muelle de la puerta, coloque las planchas de material plástico de color gris para ocultar los tornillos de ajuste.



## Ajuste del tope de la puerta

La posición predeterminada del tope de la puerta es en un ángulo de 115°. Siga estas instrucciones para cambiar la posición del tope de la puerta a un ángulo de 90°.

1. Abra la puerta 90°.
2. Inserte el perno del tope de la puerta en los orificios que ahora están alineados en la parte trasera de la bisagra. Utilice un mazo de goma para insertar completamente el perno.

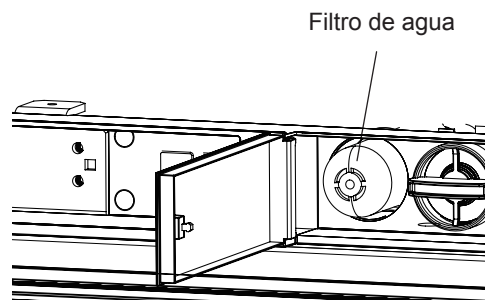


## Elusión del filtro de agua

Al quitar el filtro de agua, el electrodoméstico entra automáticamente en el modo de elusión del filtro. Esto permite utilizar el electrodoméstico sin filtro de agua.

### Retirada del filtro de agua

1. Presione ligeramente la puerta de acceso al filtro de agua para abrirla.
2. Utilice la tapa para girar el filtro de agua en sentido contrario a las agujas del reloj y extráigalo. Consulte el manual del propietario si desea instrucciones detalladas.

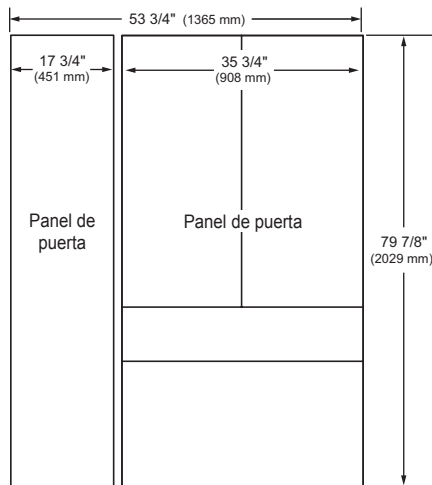


## Instalación enrasada en paralelo

### ESPACIOS LIBRES PARA LA INSTALACIÓN ENRASADA

**NOTE:** When installing products with a partition between them, follow the standard installation. The minimum size of the partition is 6" (15.2 cm) to avoid interference between the doors.

COLUMNA DOBLE DE 18" Y 36"  
(consulte las páginas de paneles personalizados para obtener información sobre otras configuraciones.)



#### NOTA:

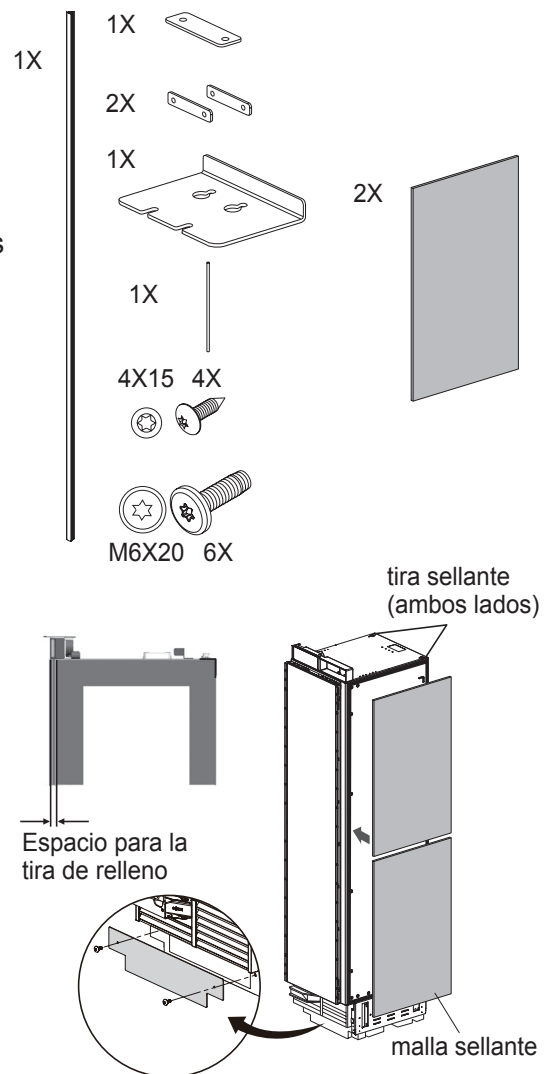
Al instalar dos productos en paralelo con una oscilación de las puertas izquierda y derecha, es necesario dejar un espacio libre de 2 mm (1/16") entre los productos. Esto se aplica tanto a las nuevas instalaciones como a las instalaciones de acondicionamiento.

En una instalación enrasada en paralelo, debe utilizarse un kit de unificación para acoplar los electrodomésticos. Se incluye un kit de unificación en todos los congeladores de columna. El kit incluye una malla sellante que evita que se forme condensación entre los dos electrodomésticos.

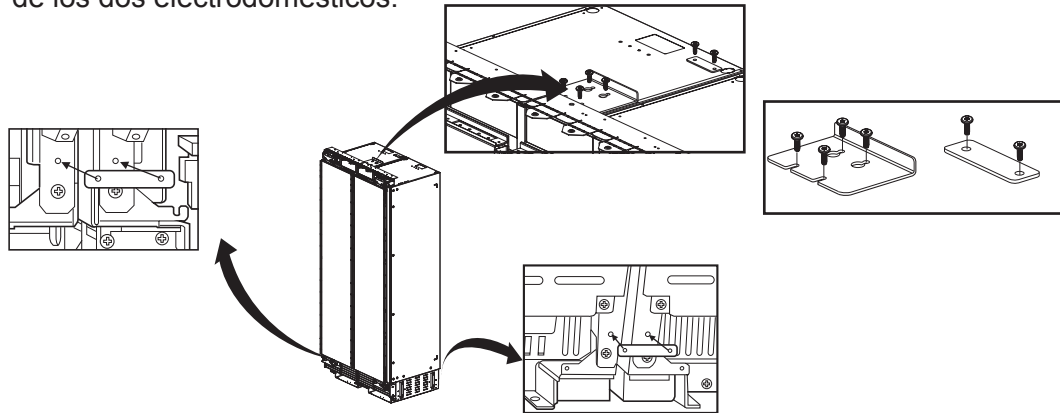
1. Desembale el kit de unificación y asegúrese de que no falte ningún accesorio.
2. Coloque los electrodomésticos uno junto al otro en la configuración de instalación prevista.
3. Quite los paneles de base de ambos electrodomésticos.
4. Coloque la malla sellante suministrada en el lateral del congelador orientado hacia el frigorífico. (la malla sellante debe colocarse entre los dos electrodomésticos una vez conectados.)

Instale la malla sellante de color gris sobre las tiras sellantes preinstaladas de color negro de modo que el borde de la malla esté a ras del borde negro del congelador. Esto dejará un pequeño espacio libre en el borde delantero para colocar la tira de relleno entre los dos electrodomésticos.

Los kits de unificación adicionales pueden adquirirse en Signature Kitchen Suite (número de pieza SKSFJ800P).



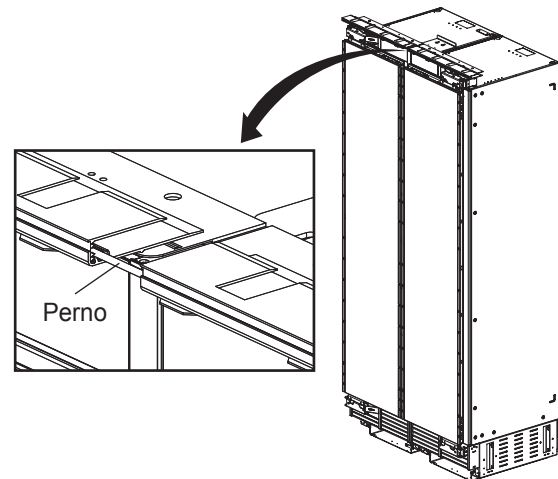
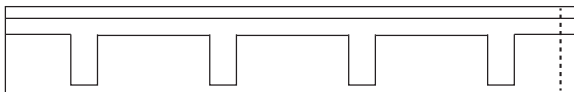
5. Coloque los electrodomésticos uno junto al otro. Para acoplar los dos electrodomésticos, instale los soportes de montaje entre la parte superior e inferior de los dos electrodomésticos.



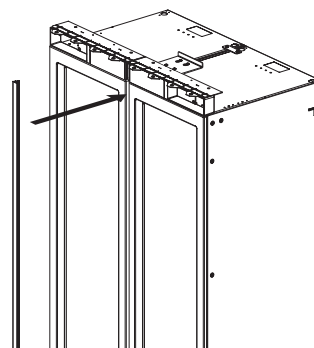
6. Introduzca el perno suministrado en ambos carriles de cubierta en la parte superior de las unidades combinadas.

**NOTA:**

Si realiza una instalación de acondicionamiento de columnas de 18" y 36" en una cabina de instalación de 53 1/2", recorte 1/4" de un lado de los carriles de cubierta.



7. Introduzca la tira de relleno en el espacio que hay entre los electrodomésticos. La tira de relleno se incluye en el kit de unificación.





## Precauciones que deben tenerse en cuenta para la instalación de los paneles

### NOTA :

Debe tener en cuenta el espacio que hay entre el conector y el panel.

A : panel de frigorífico

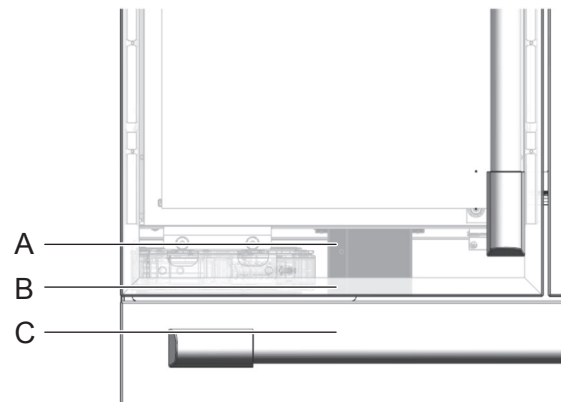
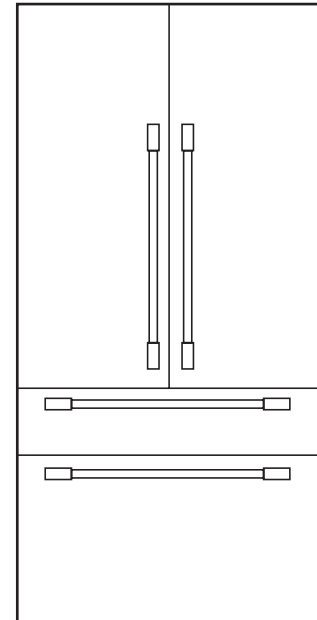
B : conector

C : panel convertible

### Espacio

1. Parte inferior de A - Parte inferior de B: 1.8 mm
2. Parte inferior de B – Parte superior de C: 6.8 mm

Aunque no siga las dimensiones indicadas anteriormente, B debe instalarse de modo que no entre en contacto con el extremo inferior de A.



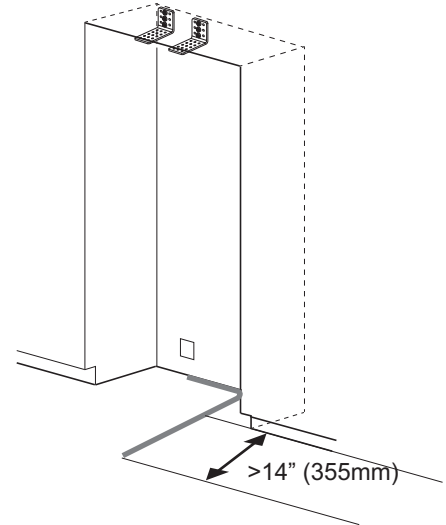
## Preparación para la conexión de la red de abastecimiento de agua

### NOTA:

Cierre la válvula principal de desconexión del agua para evitar inundaciones y daños materiales.

Instale la tubería de agua.

Respete siempre las dimensiones indicadas para no dañar la tubería de agua al empujar el electrodoméstico.

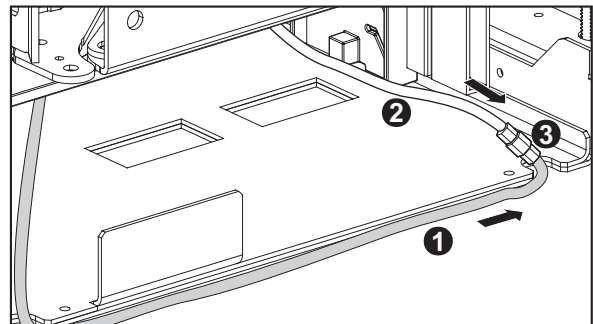
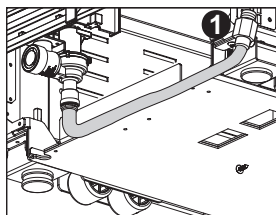
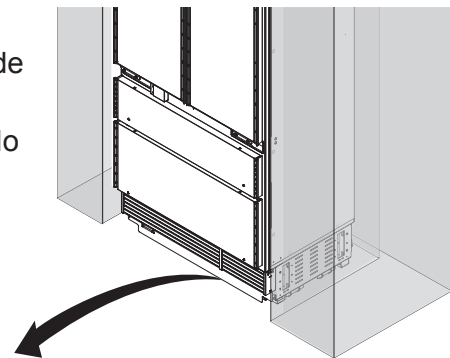


## Conexión de la red de abastecimiento de agua

### NOTA:

Al doblar la tubería de agua, no la retuerza; de lo contrario, existe riesgo de fugas y daños por agua.

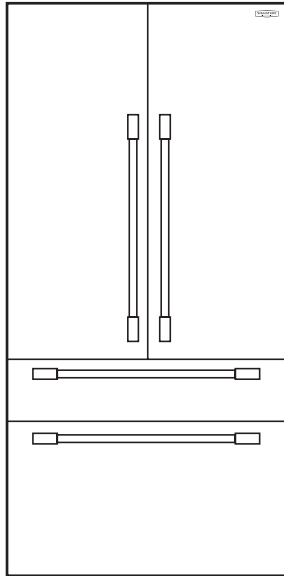
1. Quite la tapa de la conexión del electrodoméstico (1).
2. Doble la tubería de agua en función de la ubicación de la conexión del electrodoméstico (2).
3. Empuje la tuerca de unión y la junta hacia la tubería de agua.
4. Empuje el extremo de la tubería de agua hacia la conexión del electrodoméstico y atornille la tuerca de unión (3). Apriete con la mano.
5. Con la llave de tuerca, apriete la tuerca de unión. No apriete excesivamente.



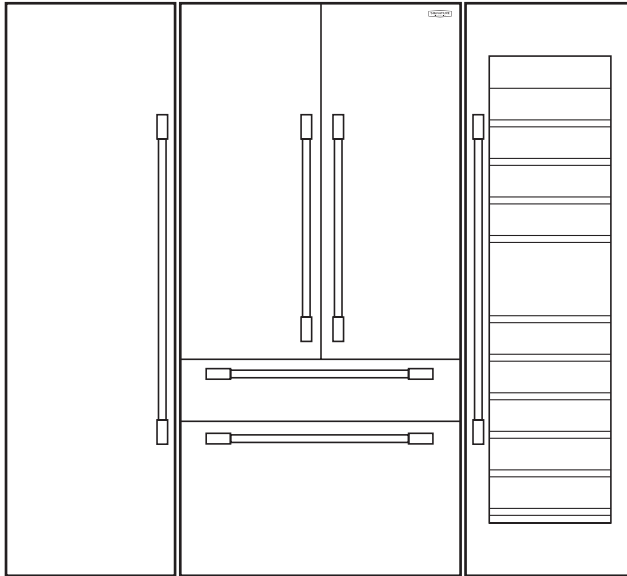
## Acoplamiento de la placa

- Para instalar la placa, calque o corte la plantilla que aparece a continuación y colóquela de acuerdo con los diseños de paneles que verá más adelante.
- Alinee la plantilla en la esquina superior lo más cerca posible de la bisagra y coloque la placa.

36" UNIT



Columna y UNIDAD de 36" para una instalación permanente  
: la placa no está instalada en la columna.



ESPAÑOL

