

ENGLISH

FRANÇAIS



INSTALLATION GUIDE

ELECTRIC CONVECTION BUILT-IN OVEN

SKSSV3001S
SKSDV3002S
SKSCV3002S



MFL51224811_01

www.signaturekitchensuite.ca

Copyright © 2021 - 2022 Signature Kitchen Suite. All Rights Reserved.

1 BEFORE BEGINNING

Remove all tape and packing materials before using the oven. Dispose of all plastic bags after unpacking the oven.

Never allow children to play with packing materials.

You can download an installation manual at www.signaturekitchensuite.ca

IMPORTANT SAFETY INSTRUCTIONS

Read and follow all instructions before using the oven to prevent the risk of fire, electric shock, injury to persons, or damage when using the oven. This guide does not cover all possible conditions that may occur. For further assistance contact the service agent or manufacturer.



This is the safety alert symbol. This symbol alerts you to potential hazards that can kill or hurt you and others. All safety messages will follow the safety alert symbol and either the word "WARNING" or "CAUTION". These words mean :

**WARNING**

This symbol will alert you to hazards or unsafe practices which could cause serious bodily harm or death.

**CAUTION**

This symbol will alert you to hazards or unsafe practices which could cause bodily injury or property damage.

WARNING

- **The information in this manual should be followed exactly.**
 - Failure to do so could result in fire or electrical shock, causing property damage, personal injury or death.
- **DO NOT put any weight on the oven door. Never allow anyone to climb, sit, stand or hang on the oven door.**
 - The oven could be tipped and injury might result from contact with hot food or the oven itself.
- **The electrical power must be shut off while the electrical connections are being made.**
 - Failure to do so can result in severe personal injury, death or electrical shock.
- **New branch-circuit installations (1996 NEC), mobile homes, recreational vehicles, or installations where local codes prohibit grounding through the neutral conductor require 4-wire branch-circuit connection.**
- **Improper connection of aluminum house wiring to copper leads can result in an electrical hazard or fire. Use only connectors designed for joining copper to aluminum and follow the manufacturer's recommended procedure closely.**
- **Mounting screws must be used.**
 - Failure to do so can result in the oven falling out of the cabinet causing serious injury.

CAUTION

- **Make sure the cabinets and wall coverings around the oven can withstand the temperature (up to 194°F[90°C]) generated by the oven.**
 - Discoloration, delamination or melting may occur.
- **DO NOT remove spacers on the side walls of the built-in oven.**
 - These spacers center the oven in the space provided. The oven must be centered to prevent excess heat buildup that may result in heat damage or fire.
- **DO NOT block the oven air exhaust located at the bottom of the oven.**
 - Blocking the exhaust may cause cabinet damage and product malfunction.

Part 1

SAFETY

IMPORTANT NOTE

This installation must be completed by a qualified installer or technician.

- Please read the entire Installation Instructions prior to installation.
- Remove all packing materials from the oven compartments before connecting the electrical supply to the oven.
- Installer: please retain these instructions for local inspector's reference, then leave them with the consumer.
- Consumer: please read and keep these instructions for future reference and be sure to read the entire OWNER'S MANUAL prior to use.
- Do not use any parts except for provided components when you install the product.

WARNING

- **The information in this manual should be followed exactly.**
 - Failure to do so could result in fire or electrical shock, causing property damage, personal injury or death.

IMPORTANT NOTE

Proper installation is the responsibility of the installer, and product failure due to improper installation is NOT covered under warranty.

WARNING

- **DO NOT put any weight on the oven door. Never allow anyone to climb, sit, stand or hang on the oven door.**
 - The oven could tip and injury might result from contact with hot food or the oven itself.

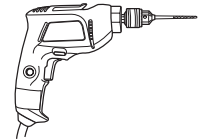
WARNING

- **The electrical power must be shut off while the electrical connections are being made.**
 - Failure to do so can result in severe personal injury, death or electrical shock.

REQUIRED TOOLS



Phillips Screwdriver

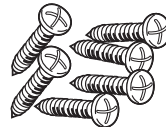


Drill

MATERIALS INCLUDED



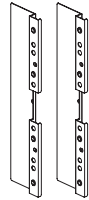
4X14
6 Wood Screws for Mounting



4X24
6 Wood Screws for Mounting
(for Flush Installation)



4X22
Self-Tapping Screws
for Cover Bracket



Cover Brackets for Flush Installation

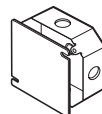


4X10 2 Screws
for bottom decorative trim



Bottom decorative trim

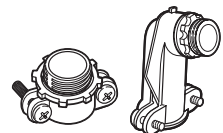
MATERIALS NEEDED



Junction Box



Wire Nuts



3/4" Conduit
Connector



36" (91 cm)
of String

Part 2

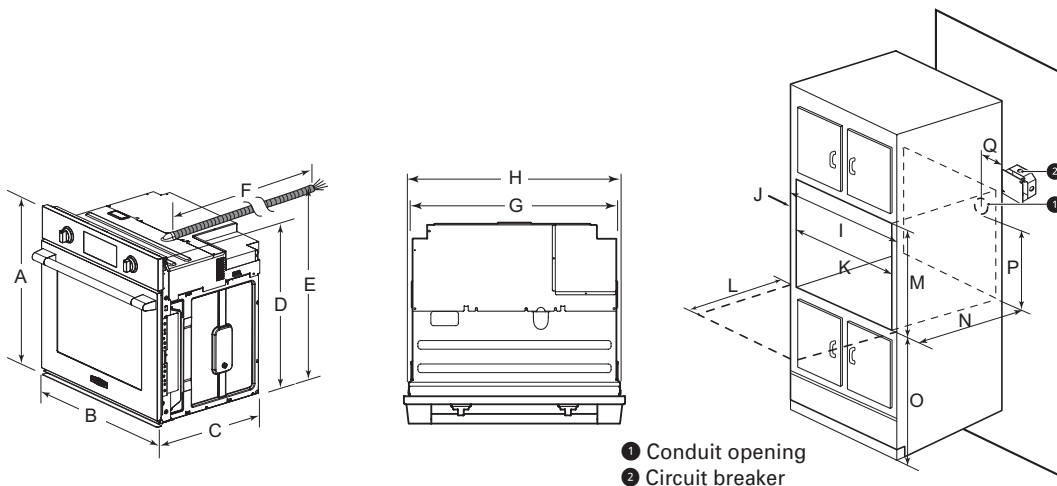
INSTALLATION REQUIREMENTS

1 INSTALLATION DRAWINGS (SKSSV3001S, FOR 30" SINGLE BUILT-IN OVEN)

The first step of the installation is to measure the current cutout dimensions and compare them to the cutout dimensions shown below. Little or no cabinet work may be necessary.

IMPORTANT NOTE

- The cabinet base platform must be able to support 190 lbs (86 kg). If the cabinet does not have a solid bottom, two braces or runners must be installed level with the bottom of the cutout to support the weight of the oven. Make sure the base is level and the front of the cabinet is square. If the cabinet base is not level, the oven racks will tend to slide out when opening the door.
- If marks, blemishes or the cutout opening are visible above the installed oven, it may be necessary to add wood shims under the runners and front trim until the marks or opening are covered.
- If the cabinet does not have a front frame and the sides are less than 3/4" (1.9 cm) thick, shim both sides equally to establish the cutout width.
- The junction box must be flush with the rear wall of the cabinet as shown below.
- Allow at least a 23" clearance for the door depth when it is open.
- Kitchen cabinets in contact with the oven must be heat resistant up to 194°F (90°C), and fronts of nearby units up to at least 158°F (70°C).
- Do not remove the gliding racks from the base packing. Gliding racks are attached separately to the top and bottom of the oven.

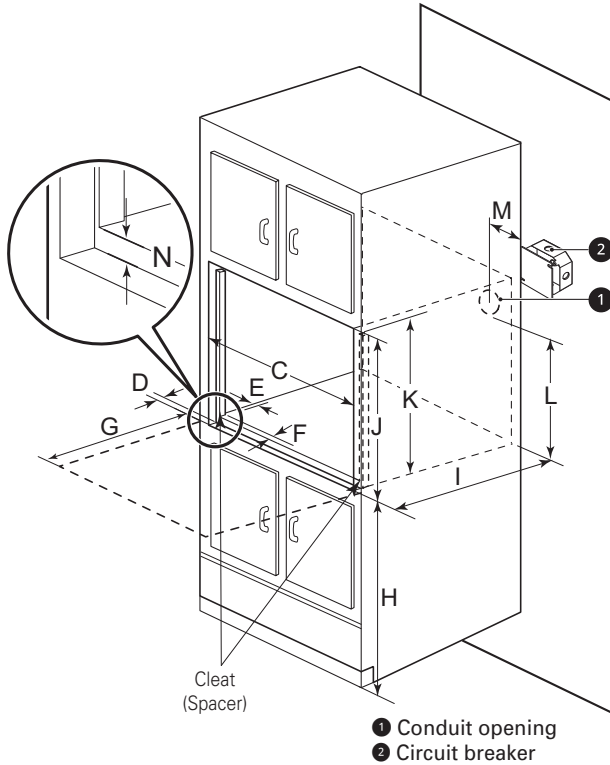


-	Dimensions	Single Oven
A	Height	29 7/16" (747 mm)
B	Width	29 3/4" (755 mm)
C	Depth	23 3/8" (593 mm)
D	Height (standard installation)	29" (736 mm)
E	Height (power cord)	27 1/2" (699.5mm)
F	Length (power cord)	60" (1524 mm)
G	Width (back)	27 3/8" (695.3 mm)
H	Width (standard installation)	28 3/7" (722 mm)
I	Cabinet width	30" (762 mm)
J	Overlap of oven	1" (25.4 mm)
K	Cutout width	28 1/2" Min. (723.9 mm), 28 5/8" Max. (727 mm)
L	Depth of open door	23" (584.2 mm)
M	Cutout height	29 1/8" Min. (740 mm), 29 3/16" Max. (741.4 mm)
N	Cutout depth	24" Min. (610 mm)
O	Cutout location from floor	31" (787.4 mm)
P	Height of conduit opening from floor of cutout	23 1/2" (596.9 mm)
Q	Distance of conduit opening from side of cabinet	5" (127mm)

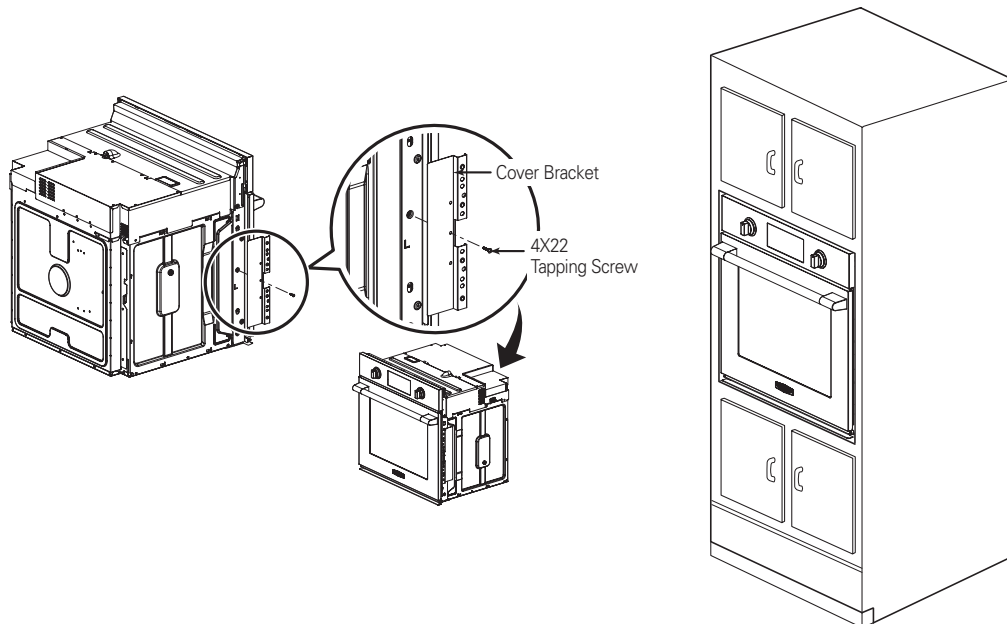
Part 2

INSTALLATION REQUIREMENTS

Cutout Dimensions (Flush)



-	Dimensions	Single Oven
C	Cutout width	30" (762 mm)
D	Cleat (spacer) inset from front of cabinet	1 3/8" (34.8mm)
E	Cleat (spacer) width	3/16" (5 mm)
F	Cleat (spacer) depth	1" (25.4 mm)
G	Depth of open door	23" (584.2 mm)
H	Bottom of cutout from floor	31" (787.4mm)
I	Cutout depth	25" (635.0 mm)
J	Cleat (spacer) height	29 5/8" (752.4 mm)
K	Cutout height	28 9/16" (726 mm)
L	Height of conduit opening from floor of cutout	23 1/2" (596.9 mm)
M	Distance of conduit opening from side of cabinet	5" (127mm)
N	Bottom of bottom decorative trim to vent opening	3/4" (19 mm)



- The provided cover brackets are only used for flush cabinet installations.
- Remove one screw from the left and right sides as shown. These screw holes will be used to mount the cover brackets. Install the cover brackets on the sides of the oven with the provided self-tapping screws.

Part 2

INSTALLATION REQUIREMENTS

2 INSTALLATION DRAWINGS (SKSSV3001S, FOR 30" SINGLE BUILT-IN OVEN UNDERCOUNTER)

The first step of the installation is to measure the current cutout dimensions and compare them to the cutout dimensions shown below. Little or no cabinet work may be necessary.

IMPORTANT NOTE

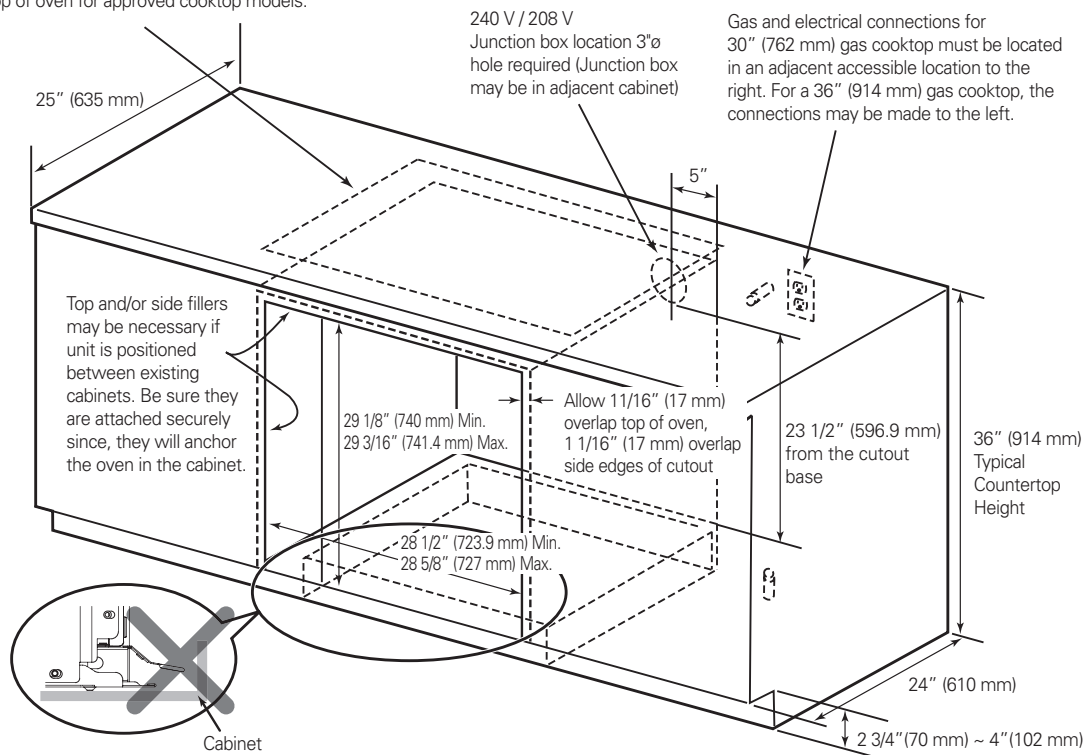
- The cabinet base platform must be able to support 190lbs (86kg). If the cabinet does not have a solid bottom, two braces or runners must be installed level with the bottom of the cutout to support the weight of the oven. Make sure the base is level and the front of the cabinet is square. If the cabinet base is not level, the oven racks will tend to slide out when opening the door.
- If marks, blemishes or the cutout opening are visible above the installed oven, it may be necessary to add wood shims under the runners and front trim until the marks or opening are covered.
- If the cabinet does not have a front frame and the sides are less than 3/4" (1.9 cm) thick, shim both sides equally to establish the cutout width.
- The junction box must be flush with the rear wall of the cabinet as shown below.
- This oven is only approved to be installed under the specific models as labeled on this unit.
- Kitchen cabinets in contact with the oven must be heat resistant up to 194°F (90°C), and fronts of nearby units up to at least 158°F (70°C).
- Do not remove the gliding racks from the base packing. Gliding racks are attached separately to the top and bottom of the oven.

Product Dimensions

Dimensions are the same as the single built-in oven.

Cutout Dimensions

Gas or electric cooktops may be installed over this oven.
See cooktop installation instructions for cutout size.
See label on top of oven for approved cooktop models.



CAUTION

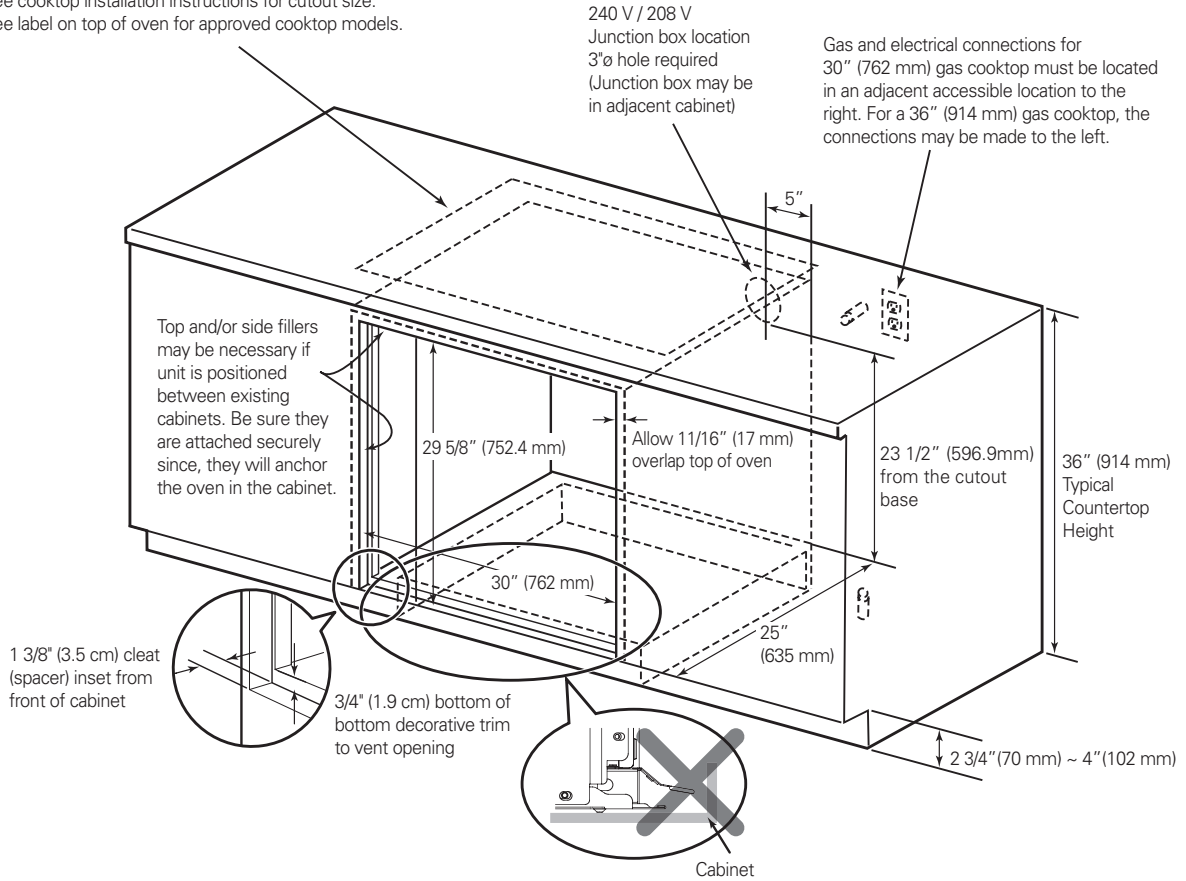
- **DO NOT block the oven air exhaust located at the bottom of the oven.**
 - Blocking the exhaust may cause cabinet damage and product malfunction.

Part 2

INSTALLATION REQUIREMENTS

Cutout Dimensions (Flush)

Gas or electric cooktops may be installed over this oven.
See cooktop installation instructions for cutout size.
See label on top of oven for approved cooktop models.



Part 2

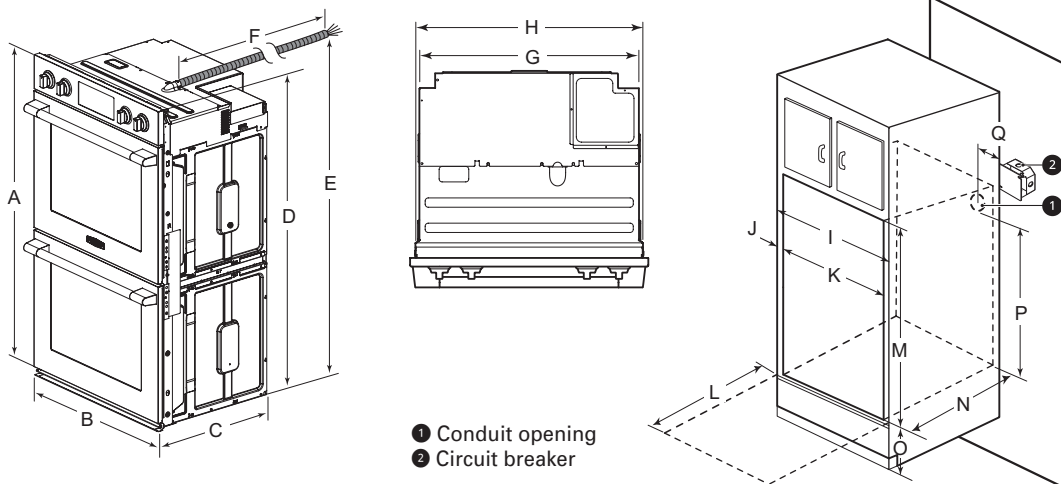
INSTALLATION REQUIREMENTS

3 INSTALLATION DRAWINGS (SKSDV3002S, FOR 30" DOUBLE BUILT-IN OVEN)

The first step of the installation is to measure the current cutout dimensions and compare them to the cutout dimensions shown below. Little or no cabinet work may be necessary.

IMPORTANT NOTE

- The cabinet base platform must be able to support 325lbs (147kg). If the cabinet does not have a solid bottom, two braces or runners must be installed level with the bottom of the cutout to support the weight of the oven. Make sure the base is level and the front of the cabinet is square. If the cabinet base is not level, the oven racks will tend to slide out when opening the door.
- If marks, blemishes or the cutout opening are visible above the installed oven, it may be necessary to add wood shims under the runners and front trim until the marks or opening are covered.
- If the cabinet does not have a front frame and the sides are less than 3/4" (1.9 cm) thick, shim both sides equally to establish the cutout width.
- The junction box must be flush with the rear wall of the cabinet as shown below.
- Allow at least a 23" clearance for the door depth when it is open.
- Kitchen cabinets in contact with the oven must be heat resistant up to 194°F (90°C), and fronts of nearby units up to at least 158°F (70°C).
- Do not remove the gliding racks from the base packing. Gliding racks are attached separately to the top and bottom of the oven.



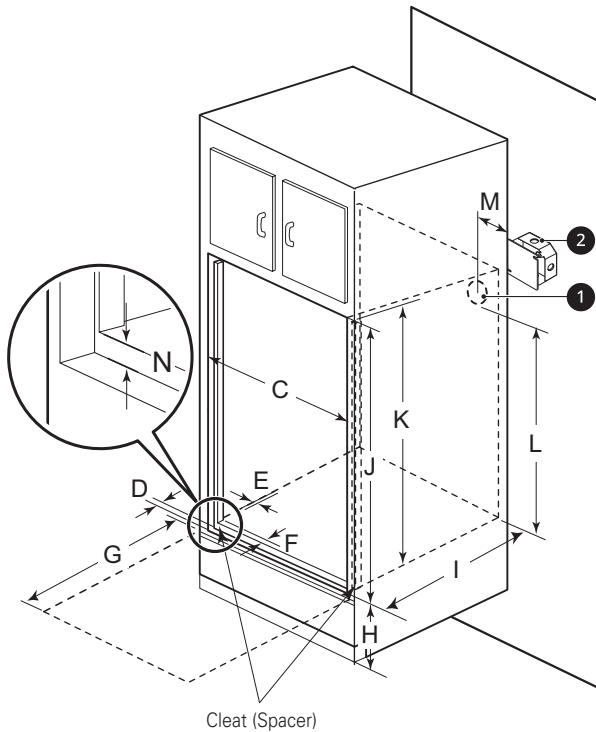
- ① Conduit opening
- ② Circuit breaker

-	Dimensions	Double Oven
A	Height	52 1/16" (1323 mm)
B	Width	29 3/4" (755 mm)
C	Depth	23 3/8" (593 mm)
D	Height (standard installation)	51 9/16" (1310 mm)
E	Height (power cord)	50 5/16" (1277.2 mm)
F	Length (power cord)	60" (1524 mm)
G	Width (back)	27 3/8" (695.3 mm)
H	Width (standard installation)	28 3/7" (722 mm)
I	Cabinet width	30" (762 mm)
J	Overlap of oven	1" (25.4 mm)
K	Cutout width	28 1/2" Min. (723.9 mm), 28 5/8" Max. (727 mm)
L	Depth of open door	23" (584.2 mm)
M	Cutout height	51 13/16" Min. (1316 mm), 51 15/16" Max. (1319.2 mm)
N	Cutout depth	24" Min. (610 mm)
O	Cutout location from floor	12" (304.8 mm)
P	Height of conduit opening from floor of cutout	47" (1193.8 mm)
Q	Distance of conduit opening from side of cabinet	5" (127 mm)

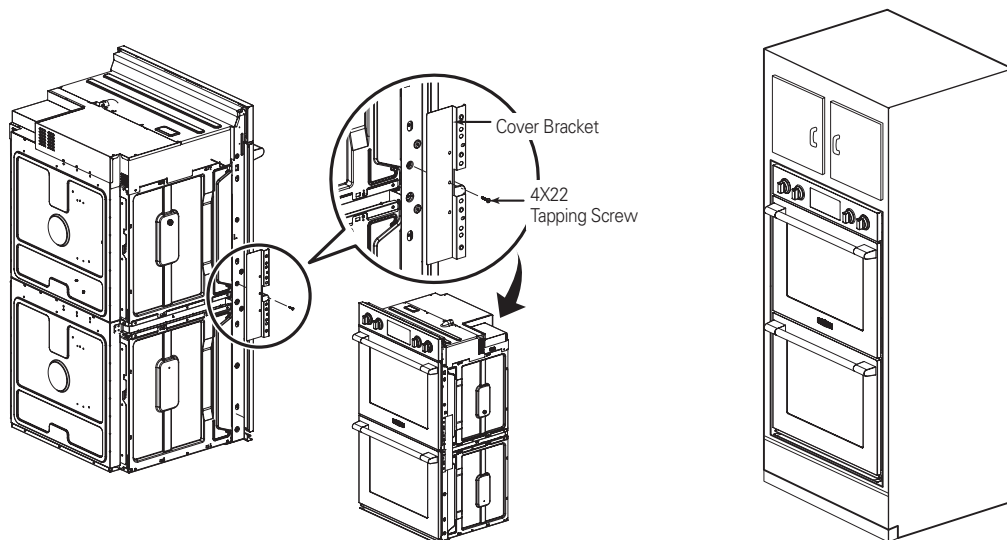
Part 2

INSTALLATION REQUIREMENTS

Cutout Dimensions (Flush)



-	Dimensions	Double Oven
C	Cutout width	30" (762 mm)
D	Cleat (spacer) inset from front of cabinet	1 3/8" (34.8 mm)
E	Cleat (spacer) width	3/16" (5 mm)
F	Cleat (spacer) depth	1" (25.4 mm)
G	Depth of open door	23" (584.2 mm)
H	Bottom of cutout from floor	12" (304.8mm)
I	Cutout depth	25" (635.0 mm)
J	Cleat (spacer) height	52 5/16" (1329 mm)
K	Cutout height	51 9/32" (1303 mm)
L	Height of conduit opening from floor of cutout	47" (1193.8 mm)
M	Distance of conduit opening from side of cabinet	5" (127 mm)
N	Bottom of bottom decorative trim to vent opening	3/4" (19 mm)



- The provided cover brackets are only used for flush cabinet installations.
- Remove one screw from the left and right sides as shown. These screw holes will be used to mount the cover brackets. Install the cover brackets on the sides of the oven with the provided self-tapping screws.

Part 2

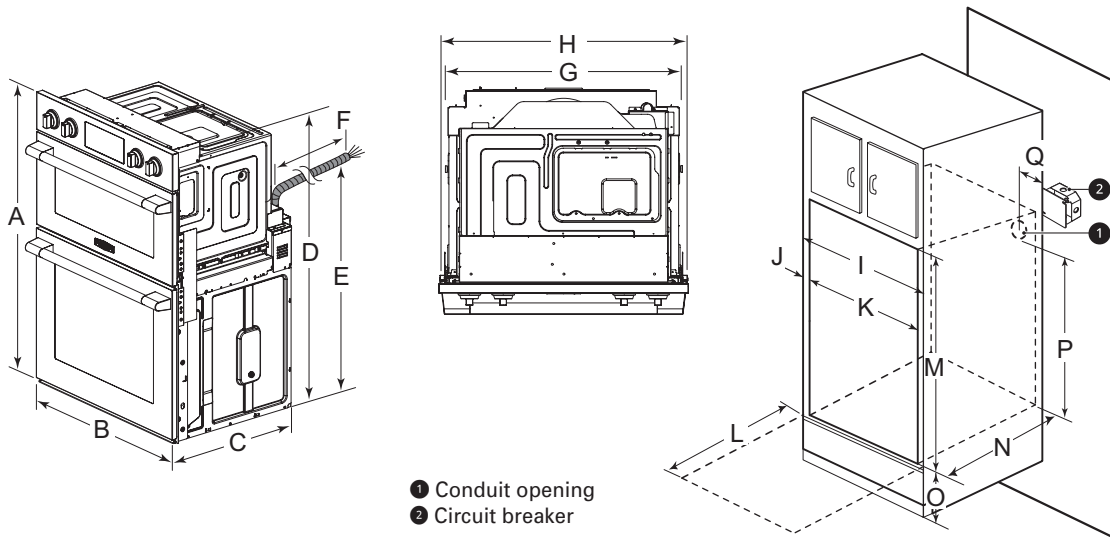
INSTALLATION REQUIREMENTS

4 INSTALLATION DRAWINGS (SKSCV3002S, FOR 30" MICROWAVE COMBINATION WALL OVEN)

The first step of the installation is to measure the current cutout dimensions and compare them to the cutout dimensions shown below. Little or no cabinet work may be necessary.

IMPORTANT NOTE

- The cabinet base platform must be able to support 202 lbs (91.65 kg). If the cabinet does not have a solid bottom, two braces or runners must be installed level with the bottom of the cutout to support the weight of the oven. Make sure the base is level and the front of the cabinet is square. If the cabinet base is not level, the oven racks will tend to slide out when opening the door.
- If marks, blemishes or the cutout opening are visible above the installed oven, it may be necessary to add wood shims under the runners and front trim until the marks or opening are covered.
- If the cabinet does not have a front frame and the sides are less than 3/4" (1.9 cm) thick, shim both sides equally to establish the cutout width.
- The junction box must be flush with the rear wall of the cabinet as shown below.
- Allow at least a 23" clearance for the door depth when it is open.
- Kitchen cabinets in contact with the oven must be heat resistant up to 194°F (90°C), and fronts of nearby units up to at least 158°F (70°C).
- Do not remove the gliding racks from the base packing. Gliding racks are attached separately to the top and bottom of the oven.



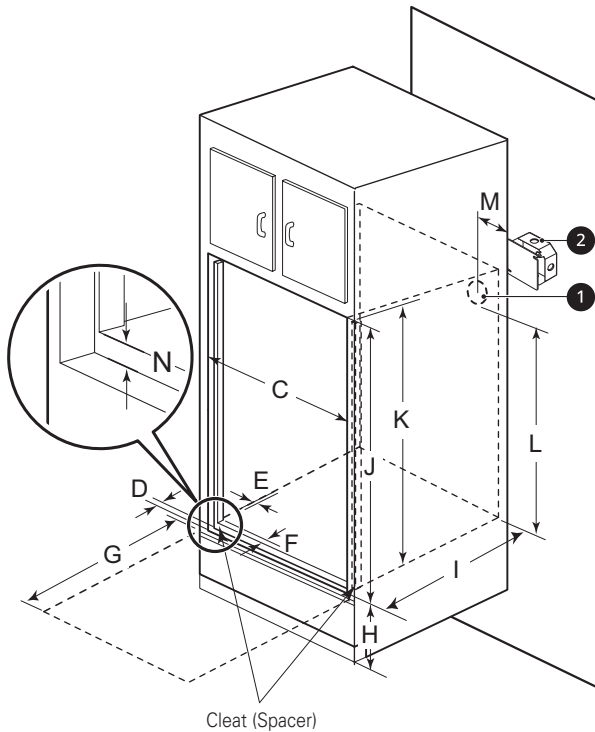
- ① Conduit opening
- ② Circuit breaker

-	Dimensions	Single Oven
A	Height	43 13/16" (1113 mm)
B	Width	29 3/4" (755 mm)
C	Depth	23 3/8" (593 mm)
D	Height (standard installation)	43 3/16" (1097 mm)
E	Height (power cord)	27 3/16" (690 mm)
F	Length (power cord)	60" (1524 mm)
G	Width (back)	27 3/8" (695.3 mm)
H	Width (standard installation)	28 3/7" (722 mm)
I	Cabinet width	30" (762 mm)
J	Overlap of oven	1" (25.4 mm)
K	Cutout width	28 1/2" Min. (723.9 mm), 28 5/8" Max. (727 mm)
L	Depth of open door	23" (584.2 mm)
M	Cutout height	43 7/16" Min. (1103 mm), 43 1/2" Max. (1106 mm)
N	Cutout depth	24" Min. (610 mm)
O	Cutout location from floor	12" (304.8 mm)
P	Height of conduit opening from floor of cutout	39 7/8" (1012.8 mm)
Q	Distance of conduit opening from side of cabinet	5" (127mm)

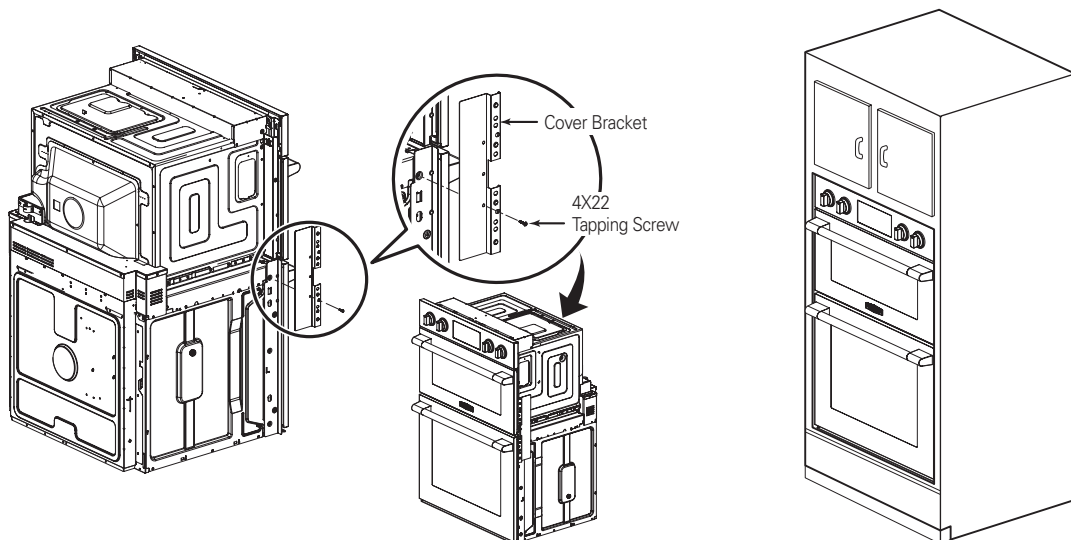
Part 2

INSTALLATION REQUIREMENTS

Cutout Dimensions (Flush)



-	Dimensions	Combi Oven
C	Cutout width	30" (762 mm)
D	Cleat (spacer) inset from front of cabinet	1 3/8" (34.8mm)
E	Cleat (spacer) width	13/64" (5 mm)
F	Cleat (spacer) depth	1" (25.4 mm)
G	Depth of open door	23" (584.2 mm)
H	Bottom of cutout from floor	12" (304.8 mm)
I	Cutout depth	25" (635.0 mm)
J	Cleat (spacer) height	44" (1118 mm)
K	Cutout height	43 13/16" (1113 mm)
L	Height of conduit opening from floor of cutout	39 7/8" (1012.8 mm)
M	Distance of conduit opening from side of cabinet	5" (127mm)
N	Bottom of bottom decorative trim to vent opening	3/4" (19 mm)



- The provided cover brackets are only used for flush cabinet installations.
- Remove one screw from the left and right sides as shown. These screw holes will be used to mount the cover brackets. Install the cover brackets on the sides of the oven with the provided self-tapping screws.

Part 2

INSTALLATION REQUIREMENTS

5 PREPARATION FOR MOVING THE OVEN

The second step of the installation is to remove any packing material from the oven before installing the oven.

1. Remove all tape from around the oven.
2. Open the oven door and remove packaging materials and oven racks inside the oven.
3. Door removal is not a requirement for installation of the oven, but is an added convenience.

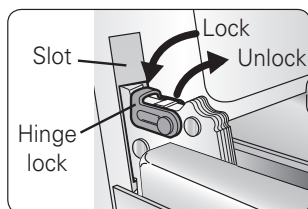
To remove the door, follow the steps below.

Step. 1

Fully open the door.

Step. 2

Pull the hinge locks up towards the door's frame, to the unlocked position.

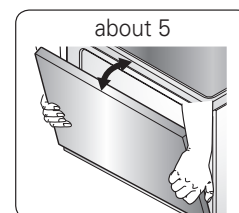


Step. 3

Firmly grasp both sides of the door at the top.

Step. 4

Close door to the door removal position, which is approximately 5 degrees.



Step. 5

Lift door up and out until the hinge arm is clear of the slot.

4. Place the oven on a table or platform even with the cutout opening. (The table or platform must support **190 lbs [86 Kg] for a single built-in oven, 325 lbs [147 Kg] for a double built-in oven, 202 lbs [91.65 kg] for a Microwave Combination Wall Oven.**)
5. Remove the metal bottom trim from the oven. It will be installed at the end of the installation process. The trim is wrapped separately and taped to the top of the unit.

CAUTION

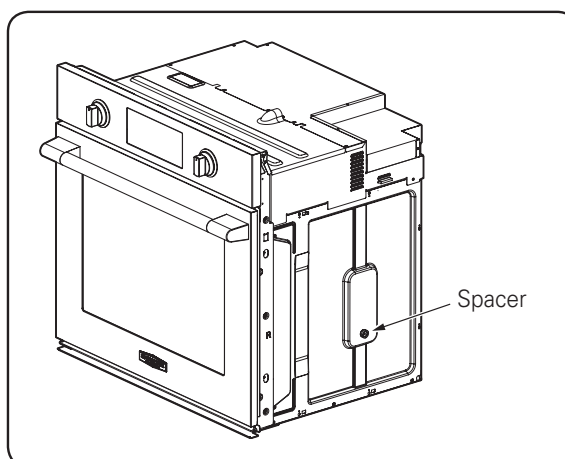
- **Make sure the cabinets and wall coverings around the oven can withstand the temperature (up to 194 °F [90 °C]) generated by the oven.**
 - Discoloration, delamination or melting may occur.

CAUTION

- **DO NOT remove spacers on the side walls of the built-in oven.**
 - These spacers center the oven in the space provided. The oven must be centered to prevent excess heat buildup that may result in heat damage or fire.

IMPORTANT NOTE

- Do not lift the door by the handle. The oven door is very heavy. Firmly grasp the door by the sides before lifting it off the hinges.
- Do not lay the oven door on its handle. Doing so may cause dents or scratches.
- Use two or more people to lift or move the oven into the cabinet opening. Use caution when lifting the oven and wear gloves to protect hands from any sharp edges. Failure to follow these instructions may result in injury.



1 ELECTRICAL CONNECTION REQUIREMENTS

The third step of the installation is to follow the electrical connection requirements below. Ensure that dedicated circuit protection is prepared as recommended and that the oven is grounded properly.

IMPORTANT NOTE

Be sure the wall oven is installed and grounded properly by a qualified installer or service technician.

- This wall oven must be electrically grounded in accordance with local codes or, in their absence, with the National Electrical Code ANSI/NFPA No.70- latest edition in United States, or with CSA Standard C22.1-1982 and C22.2 No.01982 (or latest edition), Canadian Electrical Code, Part1, and all local codes and ordinances.
- This wall oven must be supplied with the proper voltage and frequency, and connected to an individual, properly grounded branch circuit, protected by a circuit breaker or fuse. To know the circuit breaker or fuse required by this model, see the rating plate to find the wattage consumption and refer to the table below to get the circuit breaker or fuse amperage.

[Appliance rating Watts 240 V]

Category	Power Consumption	Protection circuit recommended	Wire gauge recommended
Single wall oven	6100 W	40 A	12 AWG
Double wall oven	10200 W	50 A	8 AWG
Combi wall oven	7800 W	40 A	10 AWG

[Appliance rating Watts 208 V]

Category	Power Consumption	Protection circuit recommended	Wire gauge recommended
Single wall oven	4600 W	30 A	12 AWG
Double wall oven	7700 W	50 A	8 AWG
Combi wall oven	6200 W	40 A	10 AWG

IMPORTANT NOTE

- Do Not ground to a gas pipe.
- Do Not have a fuse in the neutral or grounding circuit.
- A U.L.-listed conduit connector must be provided at the junction box.

⚠ WARNING

- **New branch-circuit installations (1996 NEC), mobile homes, recreational vehicles, or installations where local codes prohibit grounding through the neutral conductor require 4-wire branch-circuit connection.**

⚠ WARNING

- **Improper connection of aluminum house wiring to copper leads can result in an electrical hazard or fire. Use only connectors designed for joining copper to aluminum and follow the manufacturer's recommended procedure closely.**

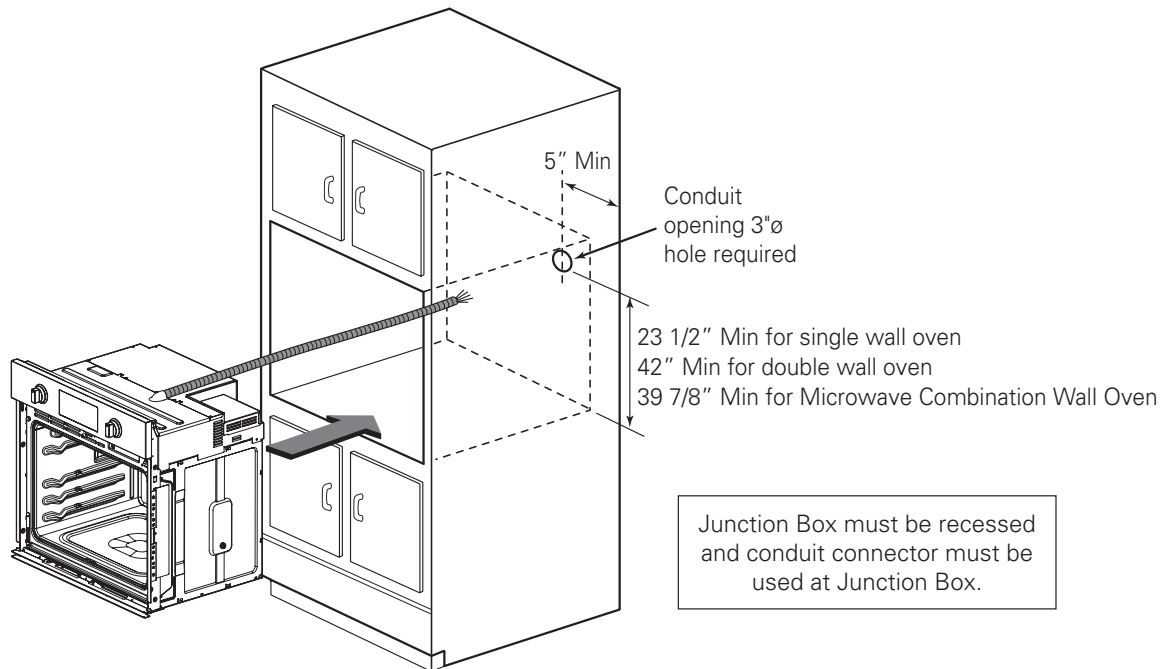
Part 3

ELECTRICAL CONNECTIONS

2 ELECTRICAL CONNECTION

The fourth step of the installation is to prepare the electrical connection as follows:

1. Turn off the circuit breaker or remove fuses to the oven branch circuit.
2. With the oven positioned directly in front of the cabinet opening, connect the flexible conduit to the electrical junction box as shown below. Position the conduit in such a manner that it will lie on top of the oven in a natural loop when the oven is installed.



3. If local codes permit connection of the frame grounding conductor to the neutral(white) wire, follow the instructions for a 3-wire circuit connection.
If used in mobile homes or new construction, or a recreational vehicle, or local codes do not permit connection of the frame grounding conductor to the neutral (white) wire, follow the instructions for a 4-wire circuit connection.

IMPORTANT NOTE

- The wall ovens must be hard wired (direct wired) into an approved junction box. A plug and receptacle is not permitted on these products.
- DO NOT shorten the flexible conduit. The conduit connector must be securely attached to the junction box and the flexible conduit must be securely attached to the conduit connector. If the flexible conduit will not fit within the connector, do not install the oven until a connector of the proper size is obtained.

NOTE TO ELECTRICIAN

The power leads supplied with the appliance are UL, CSA recognized for connection to larger gauge household wiring. The insulation of these leads is rated at temperatures much higher than the temperature rating of household wiring. The current carrying capacity of the conductor is governed by the wire gauge and the temperature rating of the insulation around the wire.

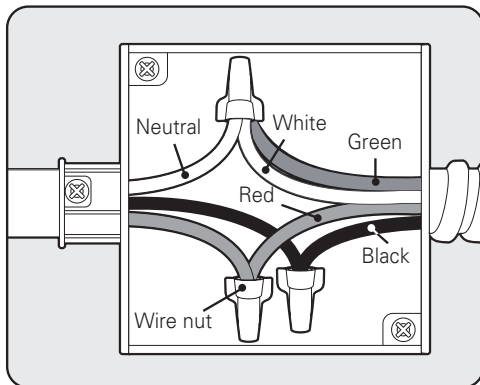
IMPORTANT NOTE

- You will need to purchase an appropriate conduit connector to complete the connection of the conduit to the junction box.

3-Wire Circuit Connection

To connect to a three-wire circuit, follow these steps:

1. Connect the oven's ground (green) wire and neutral (white) wire to the branch circuit's neutral (white or gray) wire, using a wire nut.
2. Connect the oven's red wire to the branch circuit's red (L2) wire in accordance with local codes, using a wire nut.
3. Connect the oven's black wire to the branch circuit's black (L1) wire in accordance with local codes, using a wire nut. If the house wiring uses aluminum conductors, see the **WARNING**.
4. Install the junction box cover.

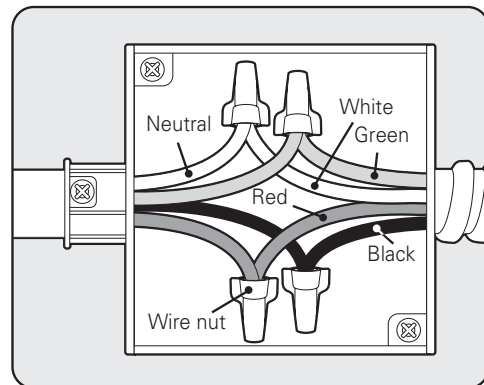


Junction Box

4-Wire Circuit Connection

To connect to a four-wire circuit, follow these steps:

1. Separate the oven's ground and white wires if necessary.
2. Connect the oven's ground (green) wire to the branch circuit's ground (green) wire in accordance with local codes, using a wire nut. If the house wiring uses aluminum conductors, see the **WARNING**.
3. Connect the oven's white wire to the branch circuit's neutral (white or gray in color) wire in accordance with local codes, using a wire nut.
4. Connect the oven's red wire to the branch circuit's red (L2) wire in accordance with local codes, using a wire nut.
5. Connect the oven's black wire to the branch circuit's black (L1) wire in accordance with local codes, using a wire nut. If the house wiring uses aluminum conductors, see the **WARNING**.
6. Install the junction box cover.



Junction Box

Part 4

INSTALL THE OVEN

1 CABINET INSTALLATION

Install the oven into the cabinet as follows :

1. Sliding the oven into the opening.

- Loop (do not tie) a 36" (91 cm) string around the conduit before the oven is slid into place. Lay the string over the top of the oven and use it to keep the conduit from falling behind the oven.
- Lift oven into cabinet cutout using the oven opening as a grip. Carefully push against the oven front frame. Do not push against outside edges.
- While sliding the oven back, pull the string so that the conduit lies on the top of the oven in a natural loop.
- When you are sure the conduit is out of the way, slide the oven 3/4 of the way back into the opening. Remove the string by pulling on one end of the loop.

CAUTION

- **DO NOT block the oven air exhaust located at the bottom of the oven.**

- Blocking the exhaust may cause cabinet damage and product malfunction.

WARNING

- **Mounting screws must be used.**

- Failure to do so can result in the oven falling out of the cabinet causing serious injury.

2. Securing the oven.

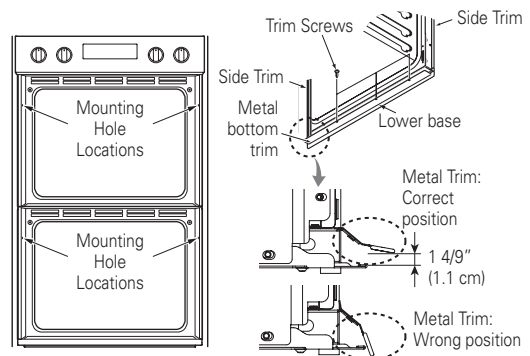
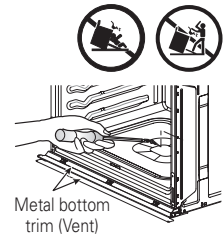
- Using the mounting holes on the oven side trim as a guide, drill pilot holes for screws provided (For securing the double wall oven, use a minimum of 4 screws, one on each side in both the upper and lower ovens. For securing the single wall oven, use a minimum of 2 screws, one on each side. For securing the Combi Oven, use a minimum of 4 screws, one on each side in both the upper and lower ovens.)

- Secure the oven to the cabinet with screws provided.

If the cabinet is particle board, you must use 3/4" particle board screws. These may be purchased at any hardware store.

3. Reinstall the oven door.

- Ensure that the metal bottom trim is correctly installed.
- When you install the oven door, be careful not to bump the metal bottom trim.
- Keep oven vents unobstructed. Replace the bottom trim if it becomes bent or deformed. Never block the vent with plastic or heat-sensitive items.



Part 4

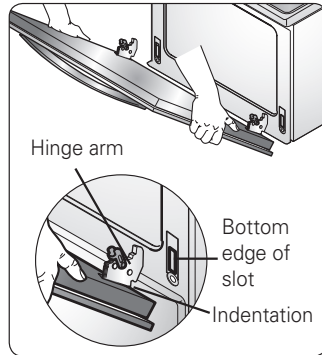
INSTALL THE OVEN

Step. 1

Firmly grasp both sides of the door at the top.

Step. 2

With the door at the same angle as the removal position, seat the indentation of the hinge arm into the bottom edge of the hinge slot. The notch in the hinge arm must be fully seated into the bottom of the slot.

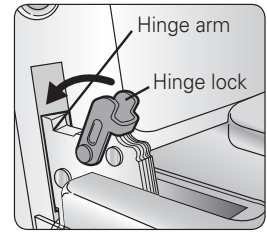


Step. 3

Fully open the door. If the door will not fully open, the indentation is not seated correctly in the bottom edge of the slot.

Step. 4

Push the hinge locks up against the front frame of the oven cavity to the locked position.



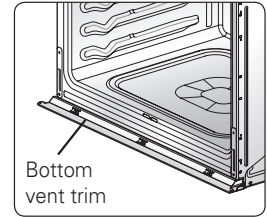
Step. 5

Close the oven door.

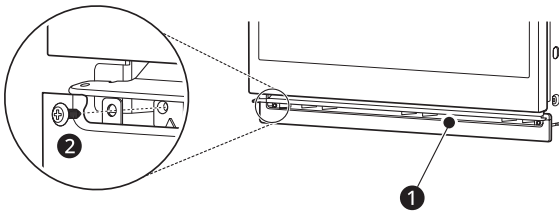
NOTE

When you install the oven door, be careful not to bump the bottom vent trim.

Keep oven vents unobstructed. Replace the bottom vent trim if it becomes bent or deformed. Never block the vent with plastic or heat-sensitive items.



2 ASSEMBLING THE BOTTOM DECORATIVE TRIM



1 Bottom decorative trim

- After installing the oven in the cabinet, assemble bottom decorative trim with 2 screws 2 (4X10).

1 CHECKING OPERATION

Each of the functions has been factory checked before shipping. However, it is suggested that you verify the operation of the oven once more. Refer to the Owner's Manual. Follow the instructions for the basic check.

Common

1. Turn on power supply. The initial signal sound will be heard.
2. Check the operation of the broil mode. When the oven is set to broil, the upper element in the oven should become red. After a few minutes, partially open the oven door. You should feel heat from the oven. Adjust the oven mode knob to OFF position.
3. Check the operation of the bake mode. After setting the oven to 350 °F / 177 °C for baking, the temperature of the oven in the display should increase. Adjust the oven mode knob to OFF position.
4. Check the operation of the convection bake mode. After setting the oven to 350 °F / 177 °C for convection baking, the fan inside the oven should come on with the door closed. Adjust the oven mode knob to OFF position.
5. Turn on and off the oven light to check the lights are in normal condition.
6. Check the operation of the burner for each convection mode. After setting the oven to 350 °F / 177 °C for each convection mode, the fan inside the oven should come on with door closed.

Combi Oven Only

1. Check the Microwave function. Place a glass bowl filled with water in upper oven. Turn the microwave on for 1 minute. The water should be hot. Adjust the oven mode knob to OFF

IMPORTANT NOTE

- A small amount of smoke and odor may be noticeable during the initial break-in period.
- If the oven does not operate properly or an F-, followed by a number, appears in the display, see the Owner's Manual for the troubleshooting list. The list includes common occurrences that are not the result of defective workmanship or materials in this product. If the problem occurs continuously, contact the dealer.
- Refer to the warranty in the Owner's Manual for the LG toll-free service number and address.



FOUR MURAL COMBINÉ
**FOUR À CONVECTION ÉLECTRIQUE
ENCASTRÉ**

SKSSV3001S
SKSDV3002S
SKSCV3002S



MFL51224811_01

www.signaturekitchensuite.ca

Copyright © 2021 - 2022 Signature Kitchen Suite. Tous droits réservés.

1 ANTES DE COMENZAR

Retirez tous les rubans adhésifs et emballages avant d'utiliser le four. Jetez les sacs plastiques après avoir déballé le four.

Ne laissez jamais les enfants jouer avec les emballages.

Vous pouvez télécharger le manuel d'installation au www.signaturekitchensuite.ca

IMPORTANTES CONSIGNES DE SÉCURITÉ

Lisez et suivez toutes les directives avant d'utiliser votre four afin d'éviter tout risque d'incendie, de choc électrique, de blessure ou de dommage lors de l'utilisation du four. Ce manuel ne couvre pas tous les risques pouvant survenir. Pour plus d'assistance, contactez votre agent de service ou le fabricant.



Ce symbole représente une alerte de sécurité. Ce symbole vous avise de dangers possibles pouvant causer la mort, des blessures ou autres. Tous les messages de sécurité seront précédés du symbole d'alerte de sécurité ainsi que des mots «AVERTISSEMENT» ou «MISE EN GARDE». Ces mots signifient :

**AVERTISSEMENT**

Ce symbole vous avertit des risques ou des pratiques dangereuses qui pourraient causer de graves blessures, voire la mort.

**MISE EN GARDE**

Ce symbole vous avertit des risques ou des pratiques dangereuses qui pourraient causer de graves blessures ou des dommages à la propriété.

**AVERTISSEMENT**

- **Les informations contenues dans ce manuel doivent être suivies à la lettre.**
 - Il pourrait en résulter un incendie ou un choc électrique pouvant causer des dommages à la propriété, des blessures ou la mort.
- **Ne JAMAIS appuyer sur la porte du four. Ne laisser personne grimper, s'asseoir, se mettre debout ou se suspendre à la porte du four.**
 - Le four pourrait basculer causant des blessures par le déversement d'aliments ou par le four lui-même.
- **L'appareil doit être hors tension lors des connexions électriques.**
 - Le non-respect de ces règles peut entraîner de graves blessures corporelles, la mort ou un choc électrique.
- **Il est nécessaire d'utiliser un câble à 4 conducteurs pour les nouvelles installations avec alimentation par un circuit secondaire (NEC 1996) dans les résidences mobiles et les véhicules récréatifs ou pour les installations où les codes locaux interdisent la mise à la terre par l'intermédiaire d'un conducteur neutre.**
- **Une connexion incorrecte du câblage en aluminium à des fils en cuivre peut causer un risque électrique ou un incendie. Utilisez seulement des connecteurs permettant de connecter le cuivre à l'aluminium et suivez, avec soin, la procédure recommandée par le fabricant.**
- **Les vis de montage doivent être utilisées.**
 - En cas de non-respect de cette règle, le four peut tomber du meuble causant de graves blessures.

**MISE EN GARDE**

- **Assurez-vous que les revêtements des meubles et du mur peuvent supporter la température du four (jusqu'à 90°C (194°F)).**
 - Les revêtements pourraient être décolorés, délaminés ou fondus.
- **NE PAS retirer les cales sur les parois extérieures sur les côtés du four encastrable.**
 - Ces cales permettent de centrer le four dans l'ouverture prévue à son effet. Le four doit être centré pour éviter l'accumulation de chaleur qui pourrait causer des dommages par la chaleur ou un incendie.
- **NE PAS bloquer les évacuations d'air situées au bas du four.**
 - Le meuble pourrait être endommagé ou l'appareil mal fonctionner si les évacuations d'air sont bloquées.

REMARQUE IMPORTANTE

L'installation doit être effectuée par un installateur ou un technicien qualifié.

- Avant de procéder à l'installation, veuillez lire les instructions d'installation au complet.
- Retirez tout le matériel d'emballage des compartiments du four avant de raccorder le four à l'alimentation électrique.
- Installateur : veuillez garder ces instructions comme référence pour l'inspecteur local, puis remettez-les au client.
- Consommateur : veuillez lire et garder ces instructions pour toute référence future. Il est également nécessaire d'avoir lu le MANUEL D'UTILISATION en entier avant toute utilisation.
- N'utilisez que les pièces fournies avec le produit lors de l'installation de ce dernier.

⚠ AVERTISSEMENT

- **Les informations contenues dans ce manuel doivent être suivies à la lettre.**

– Il pourrait en résulter un incendie ou un choc électrique pouvant causer des dommages à la propriété, des blessures ou la mort.

REMARQUE IMPORTANTE

L'installateur est responsable de bien installer le produit; toute défaillance causée par une mauvaise installation n'est PAS couverte par la garantie.

⚠ AVERTISSEMENT

- **Ne JAMAIS appuyer sur la porte du four. Ne laisser personne grimper, s'asseoir, se mettre debout ou se suspendre à la porte du four.**

– Le four pourrait basculer causant des blessures par le déversement d'aliments ou par le four lui-même.

⚠ AVERTISSEMENT

- **L'appareil doit être hors tension lors des connexions électriques.**

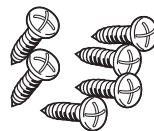
– Le non-respect de ces règles peut entraîner de graves blessures corporelles, la mort ou un choc électrique.

OUTILS REQUIS

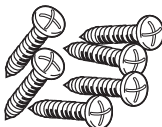
Tournevis Phillips



Perceuse

MATÉRIAUX INCLUS

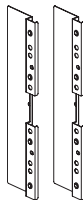
4X14
6 vis à bois pour la fixation



4X24
6 vis à bois pour la fixation
(pour l'installation encastrée)



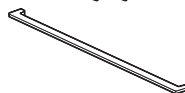
4X22
Vis autoperceuses pour le
support du couvercle



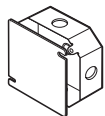
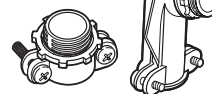
Supports de couvercle pour
l'installation encastrée



2 vis 4 × 10 pour la garniture
décorative inférieure



Garniture décorative inférieure

EQUIPEMENTS REQUISBoîte de
jonctionWire
Nuts Serre-filsRaccord de
conduit 3/4 poFicelle de 36 po
(91 cm)

Section 2

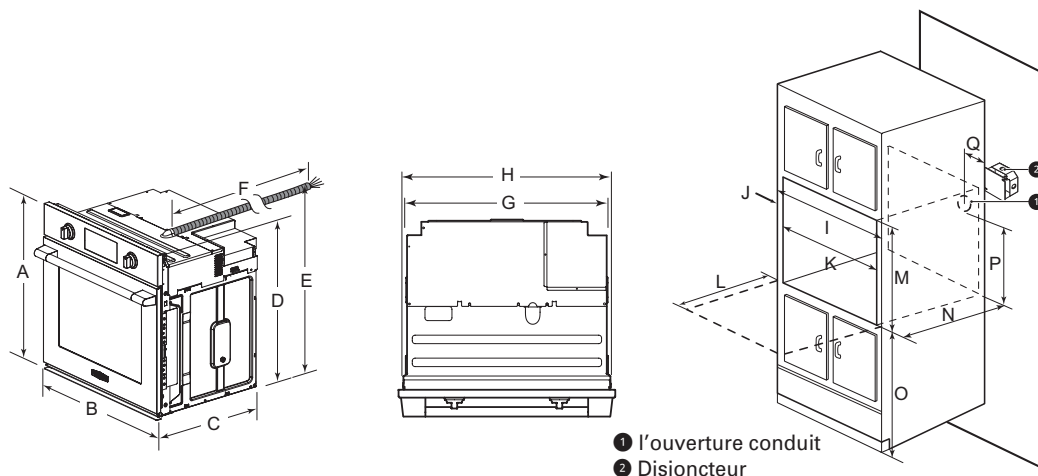
SPÉCIFICATIONS DE L'INSTALLATION

1 PLANS D'INSTALLATION (SKSSV3001S, POUR FOUR SIMPLE DE 30 PO ENCASTRÉ)

La première étape de l'installation consiste à mesurer les dimensions de la découpe actuelle et à la comparer aux dimensions de la découpe indiquées ci-dessous. Il est possible que vous ayez très peu à faire pour préparer l'armoire, voire rien du tout.

REMARQUE IMPORTANTE

- La base de la plateforme de l'armoire doit pouvoir supporter 190 lb (86 kg). Four mural combiné à microondes. Si la base du meuble n'est pas pleine, deux équerres de renfort ou deux chevrons doivent être installés au niveau de la base de l'ouverture découpée pour supporter le poids du four. Assurez-vous que la base est de niveau et que le devant du meuble est d'équerre. Si la base du meuble n'est pas de niveau, les grilles du four auront tendance à sortir à l'ouverture de la porte.
- Si des marques, des défauts ou l'ouverture découpée sont visibles au-dessus du four après installation, il sera peut-être nécessaire d'ajouter des cales en bois sous les chevrons et sous la garniture avant jusqu'à ce que les marques ou l'ouverture découpée soient recouvertes.
- Si le meuble n'a pas de face et les côtés ont une épaisseur inférieure à 3/4 po (1,9cm), calez les deux côtés de façon identique pour établir la largeur de l'ouverture découpée.
- La boîte de jonction doit être au même niveau que la paroi arrière du meuble, comme indiqué ci-dessous.
- Laissez un espace d'au moins 23 po (58cm) pour permettre l'ouverture de la porte.
- L'armoire de cuisine en contact avec le four doit être résistante à la chaleur jusqu'à 90 °C, et l'avant des appareils voisins jusqu'au moins 70 °C.
- Ne retirez pas les grilles coulissantes de l'emballage de la base. Les grilles coulissantes sont fixées séparément au-dessus et au-dessous du four.



- ① l'ouverture conduit
② Disjoncteur

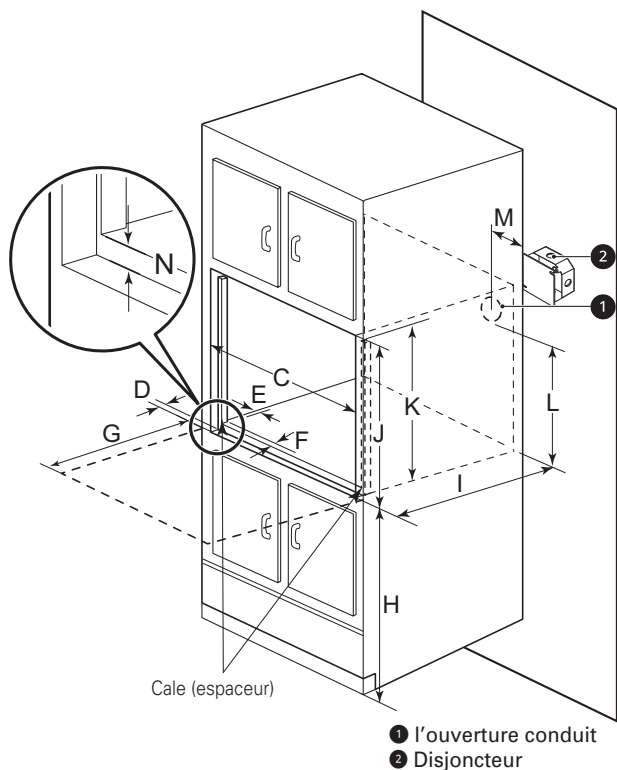
-	Dimensions	Four simple
A	Hauteur	29 7/16 po (747 mm)
B	Largeur	29 3/4 po (755 mm)
C	Profondeur	23 3/8 po (593 mm)
D	Hauteur (installation standard)	29 po (736 mm)
E	Hauteur (cordon d'alimentation)	27 1/2 po (699.5mm)
F	Longueur (cordon d'alimentation)	60 po (1524 mm)
G	Largeur (arrière)	27 3/8 po (695.3 mm)
H	Largeur (installation standard)	28 3/7 po (722 mm)
I	Largeur de l'armoire	30 po (762 mm)
J	Chevauchement du four	1 po (25.4 mm)
K	Largeur de la découpe	28 1/2 po Min. (723.9 mm), 28 5/8 po Max. (727 mm)
L	Profondeur de la porte ouverte	23 po (584.2 mm)
M	Hauteur de la découpe	29 1/8 po Min. (740 mm), 29 3/16 po Max. (741.4 mm)
N	Profondeur de la découpe	24 po Min. (610 mm)
O	Emplacement de la découpe à partir du plancher	31 po (787.4 mm)
P	Hauteur de l'ouverture du conduit à partir du plancher de la découpe	23 1/2 po (596.9 mm)
Q	Distance de l'ouverture du conduit à partir du côté de l'armoire	5 po (127mm)

Section 2

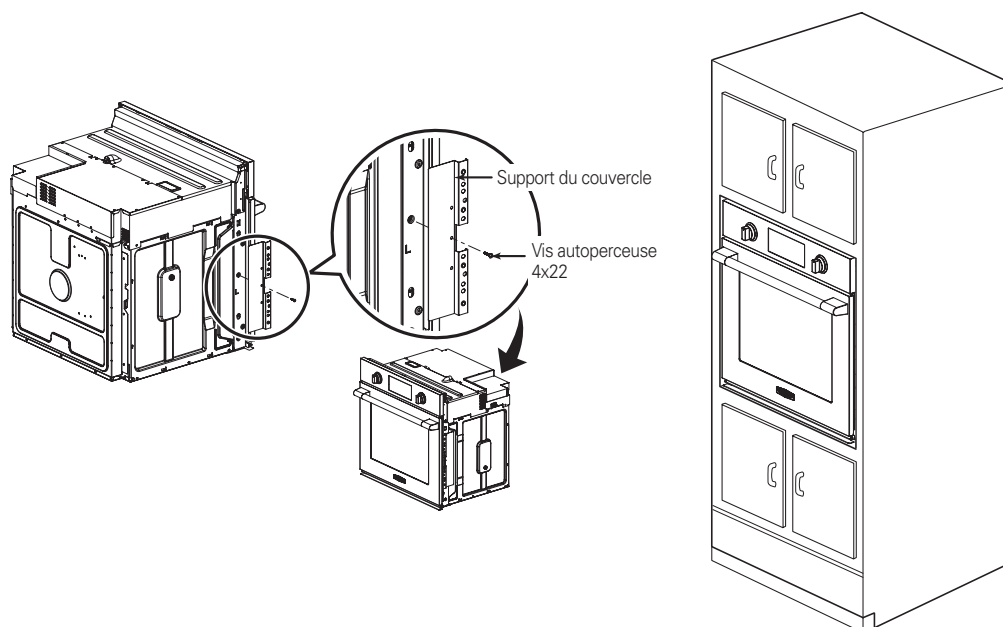
SPÉCIFICATIONS DE L'INSTALLATION

Dimensions de la découpe (pour l'installation encastrée)

FRANÇAIS



-	Dimensions	Four simple
C	Largeur de la découpe	30 po (762 mm)
D	Retrait de la cale (espaceur) à partir du devant de l'armoire	1 3/8 po (34.8mm)
E	Largeur de la cale (espaceur)	3/16 po (5 mm)
F	Profondeur de la cale (espaceur)	1 po (25.4 mm)
G	Profondeur de la porte ouverte	23 po (584.2 mm)
H	Partie inférieure de la découpe à partir du plancher	31 po (787.4mm)
I	Profondeur de la découpe	25 po (635.0 mm)
J	Hauteur de la cale (espaceur)	29 5/8 po (752.4 mm)
K	Hauteur de la découpe	28 9/16 po (726 mm)
L	Hauteur de l'ouverture du conduit à partir du plancher de la découpe	23 1/2 po (596.9 mm)
M	Distance de l'ouverture du conduit à partir du côté de l'armoire	5 po (127mm)
N	De la partie inférieure de la garniture décorative inférieure à l'ouverture de l'évent	3/4 po (19 mm)



- Les supports du couvercle fournis sont uniquement utilisés pour l'installation encastrée.
- Retirez une vis des côtés gauche et droit comme indiqué. Ces trous de vis seront utilisés pour fixer les supports du couvercle. Installez les supports du couvercle sur les côtés du four à l'aide des vis autoperceuses fournies.

Section 2

SPÉCIFICATIONS DE L'INSTALLATION

2 PLANS D'INSTALLATION (SKSSV3001S, POUR FOUR SIMPLE DE 30 PO ENCASTRÉ SOUS LE COMPTOIR)

La première étape de l'installation consiste à mesurer les dimensions de la découpe actuelle et à la comparer aux dimensions de la découpe indiquées ci-dessous. Il est possible que vous ayez très peu à faire pour préparer l'armoire, voire rien du tout.

REMARQUE IMPORTANTE

- La base de la plateforme de l'armoire doit pouvoir supporter 190 lb (86 kg). Four mural combiné à microondes. Si la base du meuble n'est pas pleine, deux équerres de renfort ou deux chevrons doivent être installés au niveau de la base de l'ouverture découpée pour supporter le poids du four. Assurez-vous que la base est de niveau et que le devant du meuble est d'équerre. Si la base du meuble n'est pas de niveau, les grilles du four auront tendance à sortir à l'ouverture de la porte.
- Si des marques, des défauts ou l'ouverture découpée sont visibles au-dessus du four après installation, il sera peut-être nécessaire d'ajouter des cales en bois sous les chevrons et sous la garniture avant jusqu'à ce que les marques ou l'ouverture découpée soient recouvertes.
- Si le meuble n'a pas de face et les côtés ont une épaisseur inférieure à 3/4po (1,9cm), calez les deux côtés de façon identique pour établir la largeur de l'ouverture découpée.
- La boîte de jonction doit être au même niveau que la paroi arrière du meuble, comme indiqué ci-dessous.
- L'installation de ce four est seulement autorisée sous certains modèles particuliers tels qu'indiqués sur l'appareil.
- L'armoire de cuisine en contact avec le four doit être résistante à la chaleur jusqu'à 90 °C, et l'avant des appareils voisins jusqu'au moins 70 °C.
- Ne retirez pas les grilles coulissantes de l'emballage de la base. Les grilles coulissantes sont fixées séparément au-dessus et au-dessous du four.

Dimensions de l'appareil

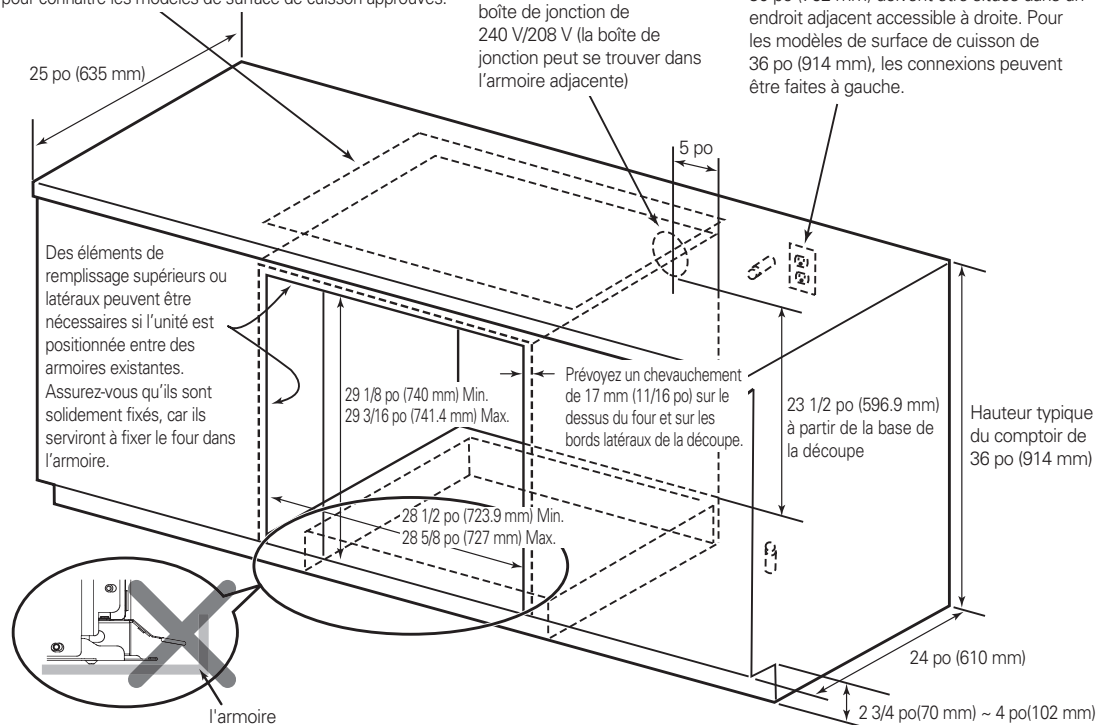
Les dimensions sont les mêmes que celles pour le four simple encastré.

Dimensions de l'ouverture découpée

Des surfaces de cuisson au gaz ou électriques peuvent être installées au-dessus de ce four. Consultez les instructions d'installation de la surface de cuisson pour connaître la taille de la découpe. Consultez l'étiquette sur le dessus du four pour connaître les modèles de surface de cuisson approuvés.

Trou de 3 po de diamètre requis à l'emplacement de la boîte de jonction de 240 V/208 V (la boîte de jonction peut se trouver dans l'armoire adjacente)

Le raccord de gaz et la connexion électrique pour les modèles de surface de cuisson de 30 po (762 mm) doivent être situés dans un endroit adjacent accessible à droite. Pour les modèles de surface de cuisson de 36 po (914 mm), les connexions peuvent être faites à gauche.



CAUTION

• NE PAS bloquer les évacuations d'air situées au bas du four.

- Le meuble pourrait être endommagé ou l'appareil mal fonctionner si les évacuations d'air sont bloquées.

Section 2

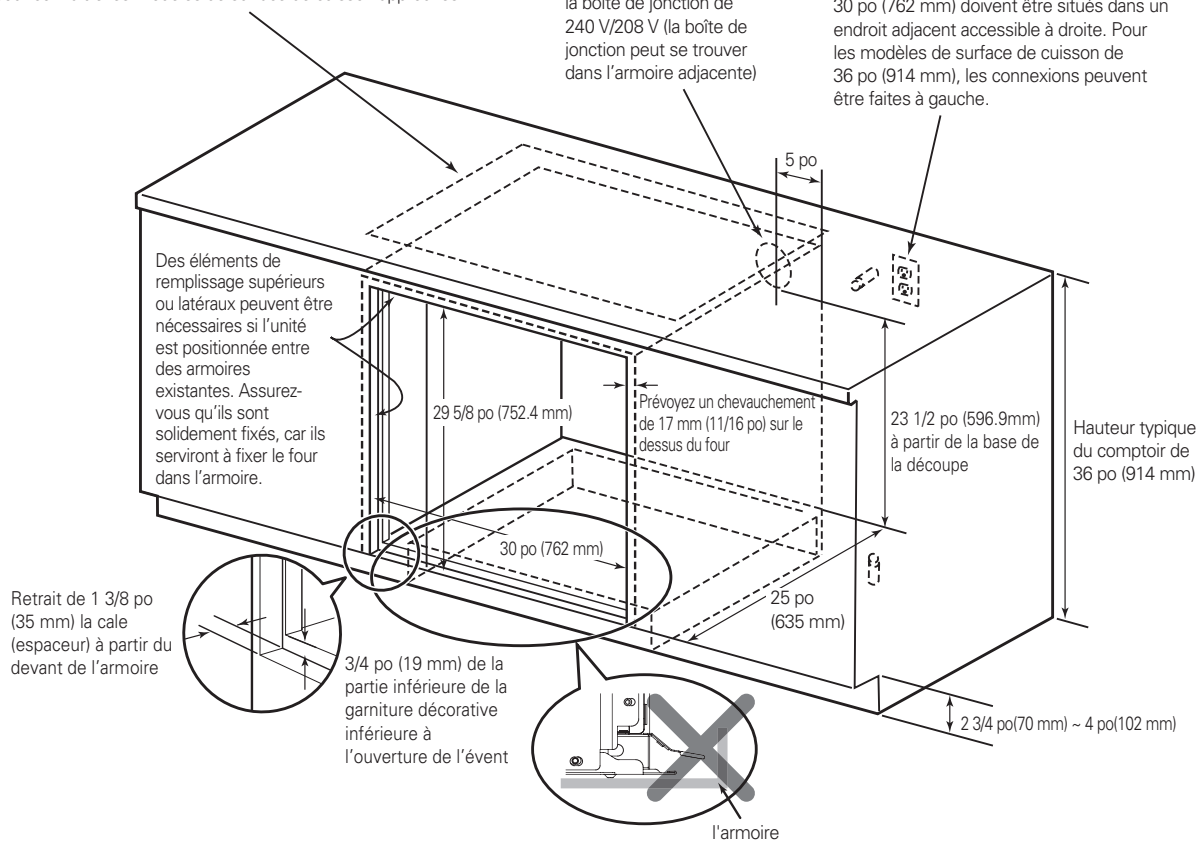
SPÉCIFICATIONS DE L'INSTALLATION

Dimensions de la découpe (pour l'installation encastrée)

Des surfaces de cuisson au gaz ou électriques peuvent être installées au-dessus de ce four. Consultez les instructions d'installation de la surface de cuisson pour connaître la taille de la découpe. Consultez l'étiquette sur le dessus du four pour connaître les modèles de surface de cuisson approuvés.

Trou de 3 po de diamètre requis à l'emplacement de la boîte de jonction de 240 V/208 V (la boîte de jonction peut se trouver dans l'armoire adjacente)

Le raccord de gaz et la connexion électrique pour les modèles de surface de cuisson de 30 po (762 mm) doivent être situés dans un endroit adjacent accessible à droite. Pour les modèles de surface de cuisson de 36 po (914 mm), les connexions peuvent être faites à gauche.



Section 2

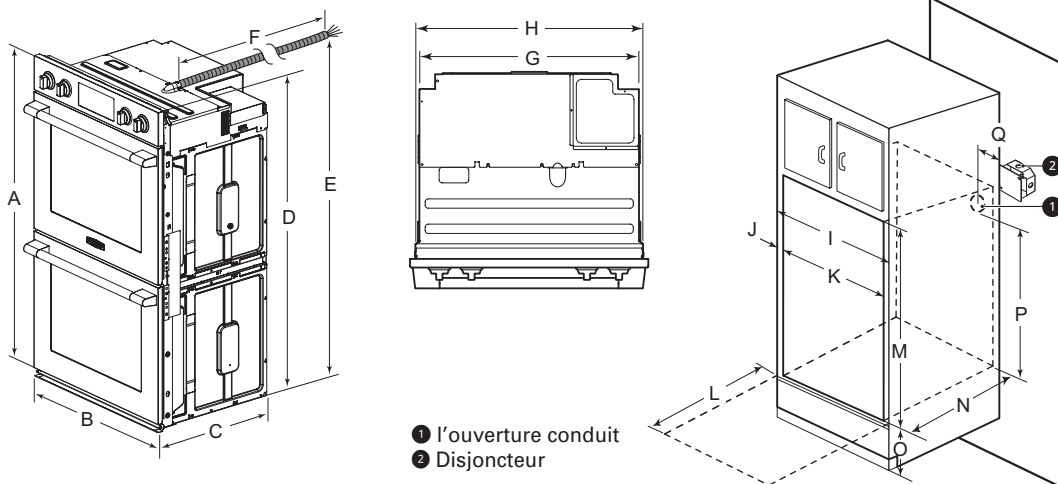
SPÉCIFICATIONS DE L'INSTALLATION

3 PLANS D'INSTALLATION (SKSDV3002S, POUR FOUR DOUBLE DE 30 PO ENCASTRÉ)

La première étape de l'installation consiste à mesurer les dimensions de la découpe actuelle et à la comparer aux dimensions de la découpe indiquées ci-dessous. Il est possible que vous ayez très peu à faire pour préparer l'armoire, voire rien du tout.

REMARQUE IMPORTANTE

- La base de la plateforme de l'armoire doit pouvoir supporter 325 lbs (147 kg). Four mural combiné à microondes. Si la base du meuble n'est pas pleine, deux équerres de renfort ou deux chevrons doivent être installés au niveau de la base de l'ouverture découpée pour supporter le poids du four. Assurez-vous que la base est de niveau et que le devant du meuble est d'équerre. Si la base du meuble n'est pas de niveau, les grilles du four auront tendance à sortir à l'ouverture de la porte.
- Si des marques, des défauts ou l'ouverture découpée sont visibles au-dessus du four après installation, il sera peut-être nécessaire d'ajouter des cales en bois sous les chevrons et sous la garniture avant jusqu'à ce que les marques ou l'ouverture découpée soient recouvertes.
- Si le meuble n'a pas de face et les côtés ont une épaisseur inférieure à 3/4 po (1,9 cm), calez les deux côtés de façon identique pour établir la largeur de l'ouverture découpée.
- La boîte de jonction doit être au même niveau que la paroi arrière du meuble, comme indiqué ci-dessous.
- Laissez un espace d'au moins 23 po (58 cm) pour permettre l'ouverture de la porte.
- L'armoire de cuisine en contact avec le four doit être résistante à la chaleur jusqu'à 90 °C, et l'avant des appareils voisins jusqu'au moins 70 °C.
- Ne retirez pas les grilles coulissantes de l'emballage de la base. Les grilles coulissantes sont fixées séparément au-dessus et au-dessous du four.



- ① l'ouverture conduit
② Disjoncteur

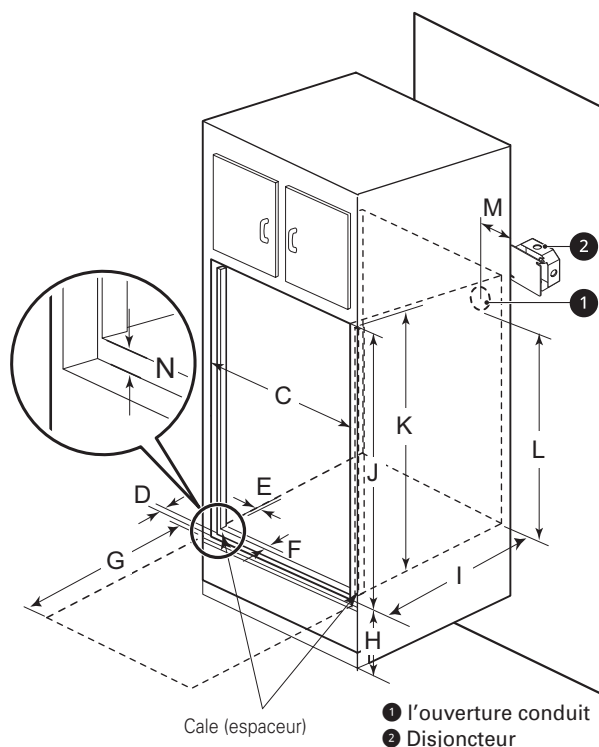
-	Dimensions	Four double
A	Hauteur	52 1/16 po (1323 mm)
B	Largeur	29 3/4 po (755 mm)
C	Profondeur	23 3/8 po (593 mm)
D	Hauteur (installation standard)	51 9/16 po (1310 mm)
E	Hauteur (cordon d'alimentation)	50 5/16 po (1277.2 mm)
F	Longueur (cordon d'alimentation)	60 po (1524 mm)
G	Largeur (arrière)	27 3/8 po (695.3 mm)
H	Largeur (installation standard)	28 3/7 po (722 mm)
I	Largeur de l'armoire	30 po (762 mm)
J	Chevauchement du four	1 po (25.4 mm)
K	Largeur de la découpe	28 1/2 po Min. (723.9 mm), 28 5/8 po Max. (727 mm)
L	Profondeur de la porte ouverte	23 po (584.2 mm)
M	Hauteur de la découpe	51 13/16 po Min. (1316 mm), 51 15/16 po Max. (1319.2 mm)
N	Profondeur de la découpe	24 po Min. (610 mm)
O	Emplacement de la découpe à partir du plancher	12 po (304.8 mm)
P	Hauteur de l'ouverture du conduit à partir du plancher de la découpe	47 po (1193.8 mm)
Q	Distance de l'ouverture du conduit à partir du côté de l'armoire	5 po (127 mm)

Section 2

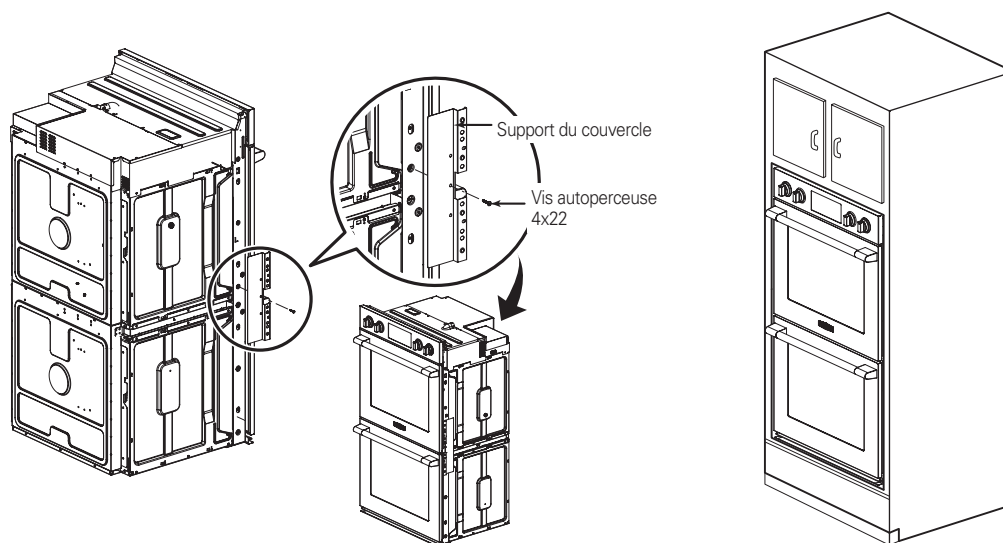
SPÉCIFICATIONS DE L'INSTALLATION

Dimensions de la découpe (pour l'installation encastrée)

FRANÇAIS



-	Dimensions	Four double
C	Largeur de la découpe	30 po (762 mm)
D	Retrait de la cale (espaceur) à partir du devant de l'armoire	1 3/8 po (34.8 mm)
E	Largeur de la cale (espaceur)	3/16 po (5 mm)
F	Profondeur de la cale (espaceur)	1 po (25.4 mm)
G	Profondeur de la porte ouverte	23 po (584.2 mm)
H	Partie inférieure de la découpe à partir du plancher	12 po (304.8 mm)
I	Profondeur de la découpe	25 po (635.0 mm)
J	Hauteur de la cale (espaceur)	52 5/16 po (1329 mm)
K	Hauteur de la découpe	51 9/32 po (1303 mm)
L	Hauteur de l'ouverture du conduit à partir du plancher de la découpe	47 po (1193.8 mm)
M	Distance de l'ouverture du conduit à partir du côté de l'armoire	5 po (127 mm)
N	De la partie inférieure de la garniture décorative inférieure à l'ouverture de l'évent	3/4 po (19 mm)



- Les supports du couvercle fournis sont uniquement utilisés pour l'installation encastrée.
- Retirez une vis des côtés gauche et droit comme indiqué. Ces trous de vis seront utilisés pour fixer les supports du couvercle. Installez les supports du couvercle sur les côtés du four à l'aide des vis auto-perceuses fournies.

Section 2

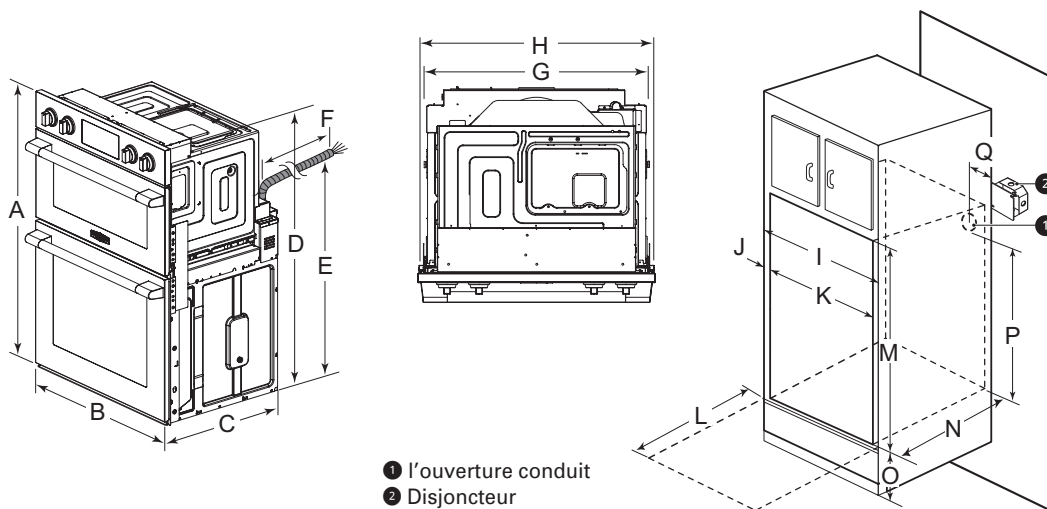
SPÉCIFICATIONS DE L'INSTALLATION

4 PLANS D'INSTALLATION (SKSCV3002S, POUR FOUR MURAL COMBINÉ À UN MICRO-ONDES DE 30 PO)

La première étape de l'installation consiste à mesurer les dimensions de la découpe actuelle et à la comparer aux dimensions de la découpe indiquées ci-dessous. Il est possible que vous ayez très peu à faire pour préparer l'armoire, voire rien du tout.

REMARQUE IMPORTANTE

- La base de la plateforme de l'armoire doit pouvoir supporter 202 lbs (91.65 kg). Four mural combiné à microondes. Si la base du meuble n'est pas pleine, deux équerres de renfort ou deux chevrons doivent être installés au niveau de la base de l'ouverture découpée pour supporter le poids du four. Assurez-vous que la base est de niveau et que le devant du meuble est d'équerre. Si la base du meuble n'est pas de niveau, les grilles du four auront tendance à sortir à l'ouverture de la porte.
- Si des marques, des défauts ou l'ouverture découpée sont visibles au-dessus du four après installation, il sera peut-être nécessaire d'ajouter des cales en bois sous les chevrons et sous la garniture avant jusqu'à ce que les marques ou l'ouverture découpée soient recouvertes.
- Si le meuble n'a pas de face et les côtés ont une épaisseur inférieure à 3/4 po (1,9 cm), calez les deux côtés de façon identique pour établir la largeur de l'ouverture découpée.
- La boîte de jonction doit être au même niveau que la paroi arrière du meuble, comme indiqué ci-dessous.
- Laissez un espace d'au moins 23 po (58 cm) pour permettre l'ouverture de la porte.
- L'armoire de cuisine en contact avec le four doit être résistante à la chaleur jusqu'à 90 °C, et l'avant des appareils voisins jusqu'au moins 70 °C.
- Ne retirez pas les grilles coulissantes de l'emballage de la base. Les grilles coulissantes sont fixées séparément au-dessus et au-dessous du four.



- ① l'ouverture conduit
② Disjoncteur

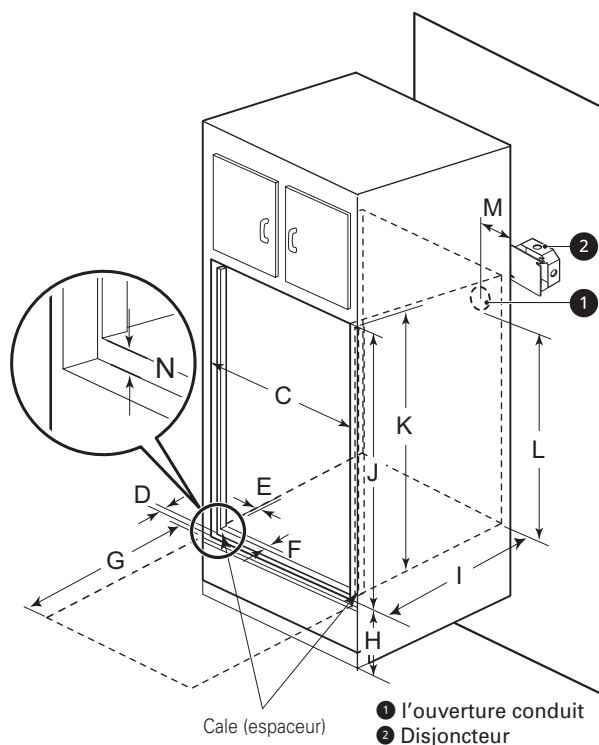
-	Dimensions	Four mural combiné
A	Hauteur	43 13/16 po (1113 mm)
B	Largeur	29 3/4 po (755 mm)
C	Profondeur	23 3/8 po (593 mm)
D	Hauteur (installation standard)	43 3/16 po (1097 mm)
E	Hauteur (cordon d'alimentation)	27 3/16 po (690 mm)
F	Longueur (cordon d'alimentation)	60 po (1524 mm)
G	Largeur (arrière)	27 3/8 po (695.3 mm)
H	Largeur (installation standard)	28 3/7 po (722 mm)
I	Largeur de l'armoire	30 po (762 mm)
J	Chevauchement du four	1 po (25.4 mm)
K	Largeur de la découpe	28 1/2 po Min. (723.9 mm), 28 5/8 po Max. (727 mm)
L	Profondeur de la porte ouverte	23 po (584.2 mm)
M	Hauteur de la découpe	43 7/16 po Min. (1103 mm), 43 1/2 po Max. (1106 mm)
N	Profondeur de la découpe	24 po Min. (610 mm)
O	Emplacement de la découpe à partir du plancher	12 po (304.8 mm)
P	Hauteur de l'ouverture du conduit à partir du plancher de la découpe	39 7/8 po (1012.8 mm)
Q	Distance de l'ouverture du conduit à partir du côté de l'armoire	5 po (127 mm)

Section 2

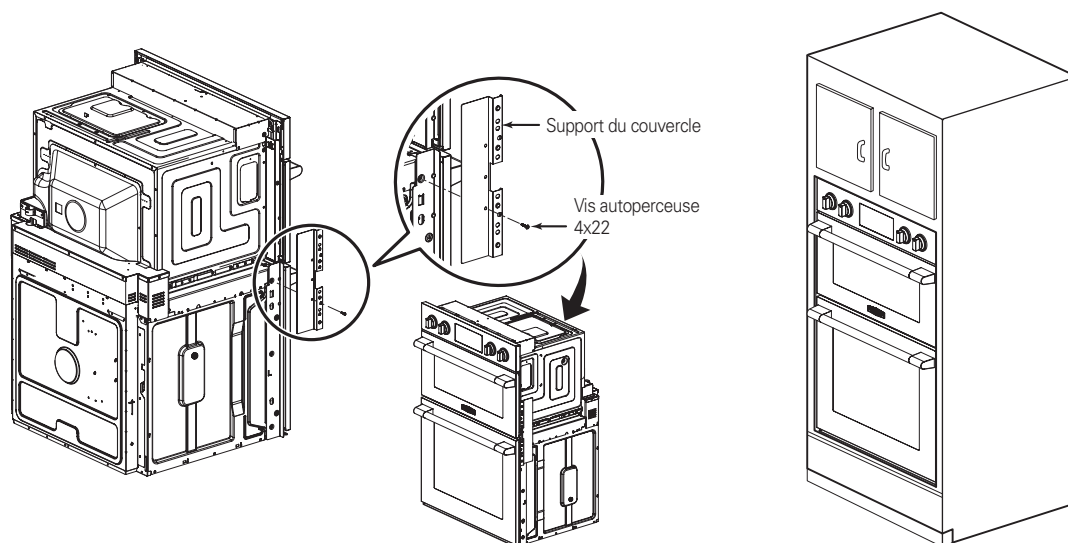
SPÉCIFICATIONS DE L'INSTALLATION

Dimensions de la découpe (pour l'installation encastrée)

FRANÇAIS



-	Dimensions	Four mural combiné
C	Largeur de la découpe	30 po (762 mm)
D	Retrait de la cale (espaceur) à partir du devant de l'armoire	1 3/8 po (34.8mm)
E	Largeur de la cale (espaceur)	13/64 po (5 mm)
F	Profondeur de la cale (espaceur)	1 po (25.4 mm)
G	Profondeur de la porte ouverte	23 po (584.2 mm)
H	Partie inférieure de la découpe à partir du plancher	12 po (304.8 mm)
I	Profondeur de la découpe	25 po (635.0 mm)
J	Hauteur de la découpe	44 po (1118 mm)
K	Hauteur de la découpe	43 13/16 po (1113 mm)
L	Hauteur de l'ouverture du conduit à partir du plancher de la découpe	39 7/8 po (1012.8 mm)
M	Distance de l'ouverture du conduit à partir du côté de l'armoire	5 po (127mm)
N	De la partie inférieure de la garniture décorative inférieure à l'ouverture de l'évent	3/4 po (19 mm)



- Les supports du couvercle fournis sont uniquement utilisés pour l'installation encastrée.
- Retirez une vis des côtés gauche et droit comme indiqué. Ces trous de vis seront utilisés pour fixer les supports du couvercle. Installez les supports du couvercle sur les côtés du four à l'aide des vis auto-perceuses fournies.

Section 2

SPÉCIFICATIONS DE L'INSTALLATION

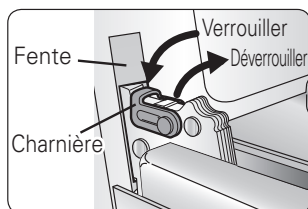
5 PRÉPARATION POUR LE DÉPLACEMENT DU FOUR

La deuxième étape de l'installation consiste à retirer tout matériau d'emballage du four avant de l'installer.

1. Retirez tout le ruban adhésif situé autour du four.
2. Ouvrez les portes et retirez du four les matériaux d'emballages et les grilles.
3. Il n'est pas nécessaire de retirer la porte pour installer le four mais l'installation en sera facilitée.
Pour retirer la porte, suivez les étapes suivantes :

Etape 1

Ouvrez complètement la porte.



Etape 2

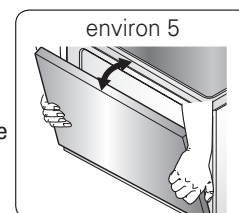
Tirez les charnières (Fig.1) vers le cadre de la porte dans la position déverrouillée.

Etape 3

Maintenir fermement le haut de la porte des deux côtés.

Etape 4

Refermez la porte jusqu'à la position permettant de la retirer, c'est-à-dire lorsque la porte forme un angle d'environ 5 degrés.



Etape 5

Soulevez la porte jusqu'à ce que la charnière se désunisse de la fente.

4. Positionnez le four sur une table ou sur la plateforme aligné avec l'ouverture découpée. (La table ou la plateforme doit supporter **190 lb [86 kg] pour un four encastré simple, 325 lb [147 kg] pour un four encastré double ou 202 lb [91,65 kg] pour un four mural combiné à un micro-ondes.**)
5. Enlevez la garniture inférieure en métal du four. Elle sera installée à la fin du processus d'installation. La garniture est emballée séparément et collée avec du ruban adhésif sur le dessus de l'appareil.

MISE EN GARDE

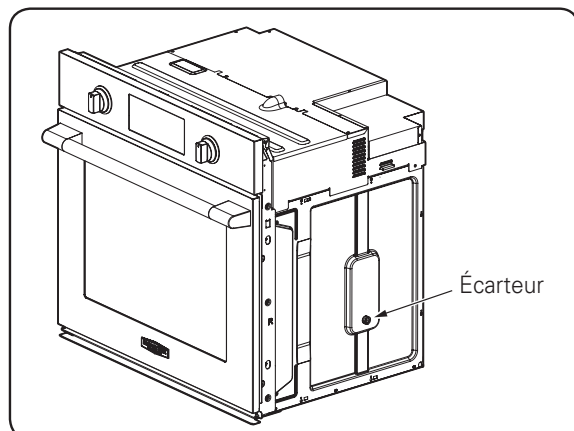
- **Assurez-vous que les revêtements des meubles et du mur peuvent supporter la température du four (jusqu'à 90°C (194°F)).**
 - Les revêtements pourraient être décolorés, délamés ou fondus.

MISE EN GARDE

- **NE PAS retirer les cales sur les parois extérieures sur les côtés du four encastrable.**
 - Ces cales permettent de centrer le four dans l'ouverture prévue à son effet. Le four doit être centré pour éviter l'accumulation de chaleur qui pourrait causer des dommages par la chaleur ou un incendie.

REMARQUE IMPORTANTE

- NE PAS soulever la porte par la poignée. La porte est très lourde. Saisir fermement la porte par les côtés avant de la soulever de ses charnières.
- Ne pas déposer la porte du four sur sa poignée. Cela pourrait l'entailler ou l'égratigner.
- Utiliser deux personnes ou plus pour soulever ou déplacer le four dans l'ouverture de l'armoire. Soyez prudent lorsque vous soulevez le four, portez des gants pour vous protéger les mains de tout bord tranchant. Le non-respect de ces consignes peut provoquer des blessures.



1 SPÉCIFICATION DES CONNEXIONS ÉLECTRIQUES

La troisième étape de l'installation consiste à respecter les exigences relatives au branchement électrique présentées ci-dessous.

La protection du circuit correspondante doit être préparée telle que recommandée dans les spécifications de connexions électriques et le four doit être mis à la terre correctement.

REMARQUE IMPORTANTE

Il est préférable de faire installer et de faire mettre votre four mural à la terre par un installateur qualifié ou un technicien de maintenance.

- Ce four mural doit être mis à la terre conformément aux prescriptions des codes locaux en vigueur ou, en leurs absences, du Code Électrique national ANSI/NFPA No.70 - édition la plus récente aux USA ou de la norme CSA C22.1-1982 et C22.2 No.01982 (ou l'édition la plus récente) du Code Canadien Électrique, 1ère Partie et de tout code ou règlement local en vigueur.
- Ce four mural doit être fourni avec la tension et la fréquence correcte, connecté à un circuit secondaire correctement mis à la terre et protégé par un disjoncteur ou un fusible. Pour connaître le disjoncteur ou le fusible requis pour ce modèle, se référer à la plaque signalétique pour connaître la consommation électrique et se référer au tableau ci-dessous l'ampérage du disjoncteur ou du fusible.

[Puissance de l'appareil Watts 240 V]

Catégorie	Consommation d'énergie	Circuit de protection recommandé	Calibre de fil recommandé
Four mural simple	6100 W	40 A	12 AWG
Four mural double	10200 W	50 A	8 AWG
Four mural combiné	7800 W	40 A	10 AWG

[Puissance de l'appareil Watts 208 V]

Catégorie	Consommation d'énergie	Circuit de protection recommandé	Calibre de fil recommandé
Four mural simple	4600 W	30 A	12 AWG
Four mural double	7700 W	50 A	8 AWG
Four mural combiné	6200 W	40 A	10 AWG

REMARQUE IMPORTANTE

- Ne pas connecter à une tuyauterie de gaz pour une mise à la terre.
- Ne Pas mettre de fusible dans le circuit neutre ou de mise à la terre.
- Un raccord de conduit listé U.L. doit être installé à la boîte de jonction.

⚠ AVERTISSEMENT

- **Il est nécessaire d'utiliser un câble à 4 conducteurs pour les nouvelles installations avec alimentation par un circuit secondaire (NEC 1996) dans les résidences mobiles et les véhicules récréatifs ou pour les installations où les codes locaux interdisent la mise à la terre par l'intermédiaire d'un conducteur neutre.**

⚠ AVERTISSEMENT

- **Une connexion incorrecte du câblage en aluminium à des fils en cuivre peut causer un risque électrique ou un incendie. Utilisez seulement des connecteurs permettant de connecter le cuivre à l'aluminium et suivez, avec soin, la procédure recommandée par le fabricant.**

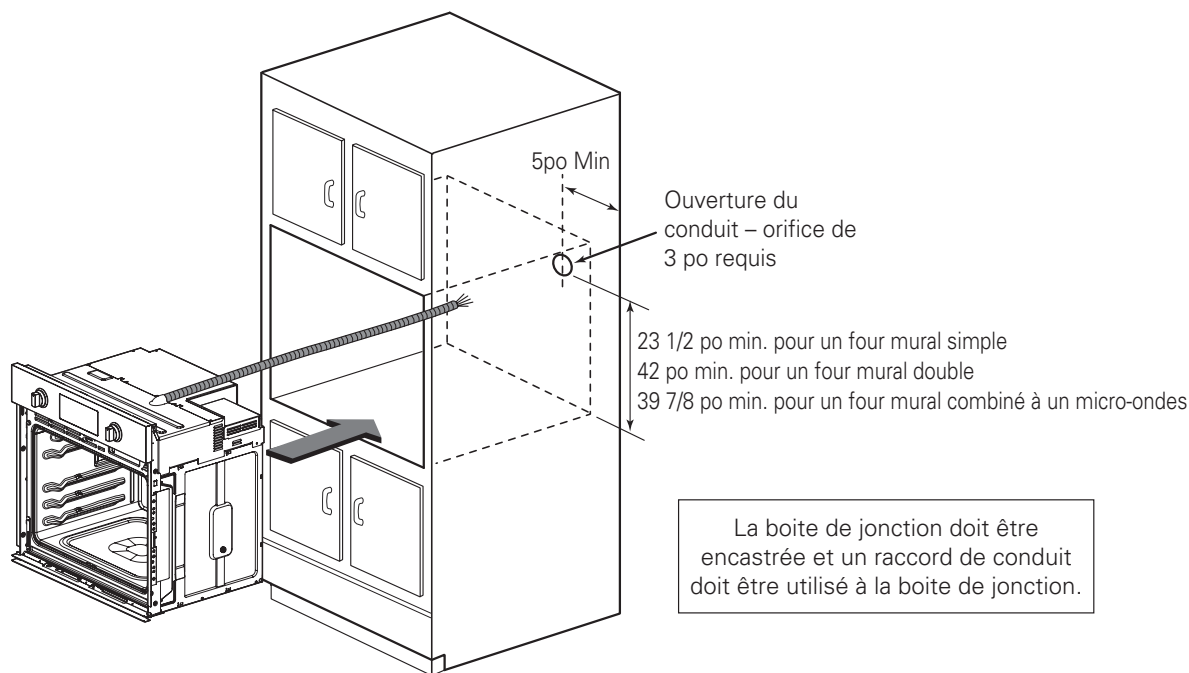
Section 3

CONNEXIONS ÉLECTRIQUES

2 CONNEXION ÉLECTRIQUE

La quatrième étape de l'installation consiste à préparer la connexion électrique comme suit :

1. Déconnectez le disjoncteur ou retirez les fusibles du circuit secondaire du four.
2. Avec le four positionné devant l'ouverture découpée dans le meuble, connectez le câble armé souple à la boîte de jonction électrique comme indiqué ci-dessous. Positionnez le câble de telle façon qu'il repose en une boucle naturelle sur le dessus du four lorsque celui-ci sera en place.



3. Si les codes locaux permettent la connexion d'un conducteur de mise à la terre du cadre au fil neutre (blanc), suivez les instructions sur la connexion d'un circuit à 3 câbles.
Si les codes locaux permettent la connexion d'un conducteur de mise à la terre du cadre au fil neutre (blanc), suivez les instructions sur la connexion d'un circuit à 4 câbles.

REMARQUE IMPORTANTE

- Les fours muraux doivent être raccordés (directement) à une boîte de jonction autorisée. Une fiche d'alimentation et une prise femelle ne sont pas autorisées pour ces appareils.
- NE PAS raccourcir le câble souple. Le raccord de conduit doit être solidement branché à la boîte de jonction et le câble souple doit être solidement branché au raccord de conduit. Si le câble flexible est trop large pour le connecteur, n'installez pas le four avant d'avoir obtenu un connecteur de la taille adaptée.

REMARQUE POUR L'ÉLECTRICIEN

Les câbles d'alimentation fournis avec les appareils sont répertoriés UL et certifiés CSA pour une connexion aux câblages domestiques de plus gros diamètre. L'isolation de ces câbles est conçue pour résister à des températures bien plus élevées que les caractéristiques thermiques des câblages domestiques. L'intensité maximale admissible de ce conducteur est régie par l'épaisseur du fil et par les caractéristiques thermiques de l'isolation autour du fil.

Section 3

CONNEXIONS ÉLECTRIQUES

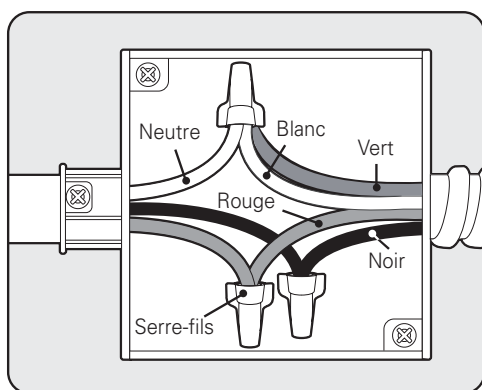
REMARQUE IMPORTANTE

- Il vous sera nécessaire d'acheter le raccord de conduit approprié pour compléter la connexion du câble à la boîte de jonction.

Connexion d'un circuit à 3 câbles

Pour connecter un circuit à 3 câbles, suivez les instructions suivantes :

1. Branchez le fil de terre du four (vert) et le fil neutre (blanc) au fil neutre du circuit secondaire (de couleur grise ou blanche) en utilisant un serre-fils.
2. Branchez le fil rouge du four au fil rouge (L2) du circuit secondaire conformément aux codes locaux, en utilisant un serre-fils.
3. Branchez le fil noir du four au fil noir (L1) du circuit secondaire conformément aux codes locaux, en utilisant un serre-fils. Si les fils rouge, noir ou blanc de la résidence sont en aluminium, se référer à l'AVERTISSEMENT.
4. Installez le couvercle de la boîte de jonction.

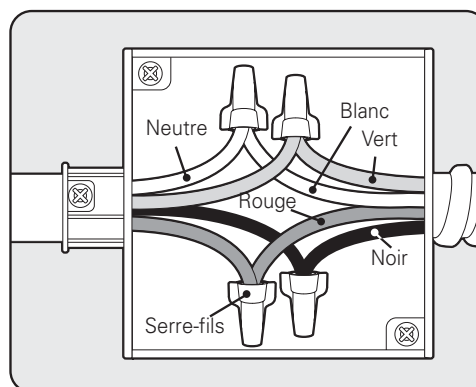


Boîte de jonction

Connexion d'un circuit à 4 câbles

Pour connecter un circuit à 4 câbles, suivez les instructions suivantes :

1. Si nécessaire, séparez les fils de terre et les fils blancs du four.
2. Branchez le fil de terre (vert) du four au fil de terre (vert) du circuit secondaire conformément aux codes locaux, en utilisant un serre-fils. Si les fils rouge, noir ou blanc de la résidence sont en aluminium, se référer à l'AVERTISSEMENT.
3. Branchez le fil blanc du four au fil neutre (de couleur blanche ou grise) du circuit secondaire conformément aux codes locaux, en utilisant un serre-fils.
4. Branchez le fil rouge du four au fil rouge (L2) du circuit secondaire conformément aux codes locaux, en utilisant un serre-fils.
5. Branchez le fil noir du four au fil noir (L1) du circuit secondaire conformément aux codes locaux, en utilisant un serre-fils. Si les fils rouge, noir ou blanc de la résidence sont en aluminium, se référer à l'AVERTISSEMENT.
6. Installez le couvercle de la boîte de jonction.



Boîte de jonction

Section 4

INSTALLATION DU FOUR

1 INSTALLATION DU FOUR

Installez le four dans l'armoire comme suit

1. Faites glisser le four dans l'ouverture.

- Faites une boucle (sans l'attacher) autour du câble à l'aide de la ficelle de 36po (91cm) avant de positionner le four. Placez la ficelle sur le dessus du four et utilisez-la pour empêcher le conduit de tomber derrière le four.
- Levez le four et placez-le dans l'ouverture découpée dans le meuble en utilisant l'intérieur du four pour une meilleure prise de ce dernier. Poussez doucement contre la face du four. Ne poussez pas contre les bords extérieurs.
- Tirez sur la ficelle quand vous faites glisser le four en place de telle façon que le câble repose sur le dessus du four en formant une boucle naturelle.
- Lorsque vous êtes sûr que le câble ne risque pas d'être bloqué derrière le four, faites glisser le four au 3/4 dans l'ouverture découpée. Retirez la ficelle en tirant sur une des extrémités de la boucle.

⚠ MISE EN GARDE

• NE PAS bloquer les évacuations d'air situées au bas du four.

- Le meuble pourrait être endommagé ou l'appareil mal fonctionner si les évacuations d'air sont bloquées.

⚠ AVERTISSEMENT

• Les vis de montage doivent être utilisées.

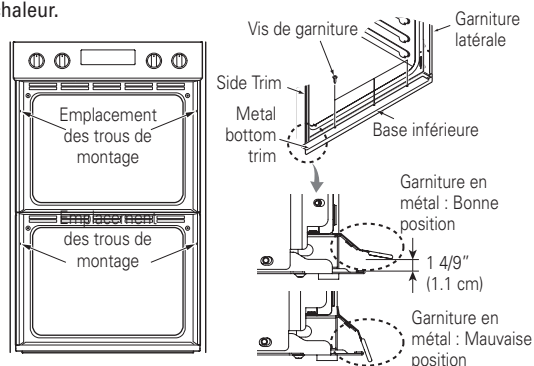
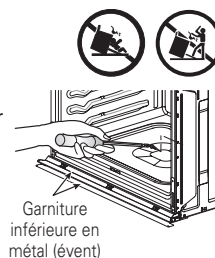
- En cas de non-respect de cette règle, le four peut tomber du meuble causant de graves blessures.

2. Sécuriser le four.

- Percez des trous pour les vis fournies en utilisant comme guide les trous de montage sur la garniture du côté du four. (Pour fixer le four mural double, utilisez au moins quatre vis, une de chaque côté des fours supérieur et inférieur. Pour fixer le four mural simple, utilisez au moins deux vis, une de chaque côté. Pour fixer le four mural combiné, utilisez au moins quatre vis, une de chaque côté des fours supérieur et inférieur.)
- Fixez le four au meuble à l'aide des vis fournies. Si le meuble est en panneau d'aggloméré, vous devez utiliser des vis de 3/4po pour panneau d'aggloméré. Elles peuvent être achetées dans toute quincaillerie.

3. Réinstallez la porte du four.

- Assurez-vous que la garniture en métal inférieure est correctement installée.
- Lorsque vous installez la porte du four, faites attention de ne pas heurter la garniture en métal inférieure.
- Gardez les événements du four dégagés. Remplacez la garniture inférieure si elle devient tordue ou déformée. Ne bloquez jamais l'évent avec des objets en plastique ou sensibles à la chaleur.



Section 4

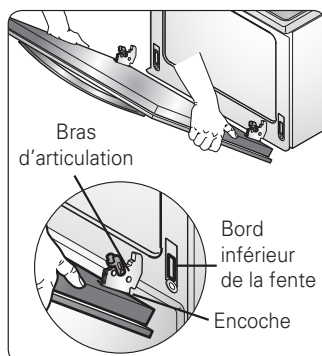
INSTALLATION DU FOUR

Etape 1

Saisissez fermement les deux côtés de la porte sur le haut.

Etape 2

Avec la porte dans la même position que pour la retirer, positionnez l'indentation du bras d'articulation dans le bord inférieur de la fente de la charnière. L'encoche du bras d'articulation doit entièrement reposer au fond de la fente.



Etape 3

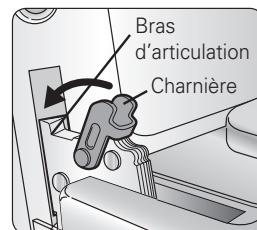
Ouvrez complètement la porte. Si la porte ne s'ouvre pas complètement, cela signifie que l'encoche ne doit pas reposer correctement sur le bord inférieur de la fente.

Etape 4

Repoussez les charnières contre la face du four de façon à le verrouiller.

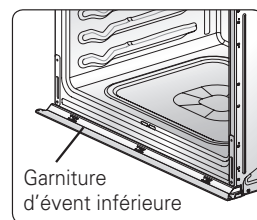
Etape 5

Fermez la porte du four.



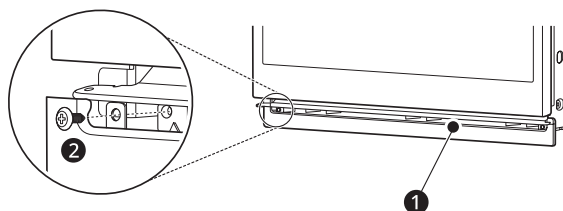
REMARQUE

- Lorsque vous installez la porte du four, assurez-vous de ne pas heurter la garniture d'évent inférieure.
- Gardez les événements du four dégagés. Remplacez la garniture d'évent inférieure si elle devient tordue ou déformée. Ne bloquez jamais l'évent avec des objets en plastique ou sensibles à la chaleur.



FRANÇAIS

2 ASSEMBLAGE DE LA GARNITURE DÉCORATIVE INFÉRIÈRE



1 Garniture décorative inférieure

- Après avoir installé le four dans l'armoire, installez la garniture décorative inférieure avec deux vis 2 (4X10).

Section 5

POINTS DE VÉRIFICATION DU FONCTIONNEMENT

1 VÉRIFICATION DU FONCTIONNEMENT

Chaque fonction a été vérifiée en usine avant expédition. Cependant, il est recommandé de vérifier le fonctionnement du four une dernière fois. Référez-vous au Manuel d'Utilisation Suivez les instructions pour une vérification sommaire.

Fonctions communes

1. Allumez le four. Le signal sonore initial se fera entendre.
2. Vérifiez le fonctionnement du mode grill (broil). Lorsque le four est réglé sur grill (broil), l'élément supérieur du four deviendra rougeoyant. Au bout de quelques minutes, ouvrez partiellement la porte du four. Vous devriez sentir la chaleur émanant du four. Réglez le bouton de mode du four à la position OFF (arrêt).
3. Vérifiez la fonction de micro-ondes. Lorsque le four est réglé à 350 °F (177 °C) pour la cuisson, la température sur l'écran devrait augmenter. Réglez le bouton de mode du four à la position OFF (arrêt).
4. Vérifiez le fonctionnement du mode cuisson par convection (convection bake). Après avoir réglé le four sur 350 °F / 177 °C pour une cuisson par convection, le ventilateur à l'intérieur se mettra en marche à la fermeture de la porte. Réglez le bouton du mode four à la position ARRÊT.
5. Allumez et éteignez la lumière du four pour vérifier son fonctionnement.
6. Vérifiez le fonctionnement du brûleur pour chaque mode de cuisson par convection. Une fois le four réglé à 350 °F / 177 °C pour chaque mode de cuisson par convection, le ventilateur situé à l'intérieur du four devrait s'activer lorsque la porte est fermée.

Four mural combiné seulement

1. Vérifiez la fonction de micro-ondes. Placez un bol en verre rempli d'eau dans le four supérieur. Faites fonctionner le micro-ondes pendant 1 minute. L'eau ne devrait pas être chaude. Réglez le bouton du mode four à la ARRÊT.

REMARQUE IMPORTANTE

- Vous remarquerez peut être de la fumée et des odeurs émanant du four pendant les premières utilisations.
- Si votre four ne fonctionne pas correctement ou un F- suivi d'un chiffre s'affiche à l'écran, référez-vous à votre Manuel d'Utilisation pour un dépiage des problèmes. Cette liste inclut les problèmes courants qui ne résultent pas d'un vice de matière ou de fabrication. Si un problème se produit régulièrement, contactez votre revendeur.
- Veuillez vous référer à votre Manuel d'Utilisation pour obtenir notre numéro d'appel sans frais et notre adresse.

MEMO

MEMO

MEMO

