

SKSFD4826P

48-INCH BUILT-IN FRENCH DOOR REFRIGERATOR / FREEZER

SIGNATURE
KITCHEN SUITE



PRECISE FOOD PRESERVATION

Always keeps temperature fluctuation within +/-1° F to enhance food freshness for longer period of time*

DUAL ICE MAKER WITH EXCLUSIVE CRAFT ICE™

Options for both the slow-melting, spherical Craft Ice and frustum ice elevate beverages of all kinds

TEMPERATURE ADJUSTABLE CONVERTIBLE DRAWER

Functional and innovative convertible drawer offers five preset temperatures ranging from 41° F to -7° F for precise food preservation

PERFECTLY POSITIONED LED LIGHTING

Additional hidden LED lighting under the shelves means the interior is fully illuminated with lighting focused on the shelving

INNOVATION AND PEACE OF MIND

An industry leading 3-Year warranty and ThinQ Care ensures your product is always working at its best

SIGNATURE FIT™ INTEGRATED DESIGN

Versatile design allows for true flush design without exposed grille and drawers that line up with standard countertop height

*Based on TÜV Rheinland test results using LG's internal testing method measuring the average peak to peak temperature fluctuation in the fresh food compartment at the factory temperature setting under no load condition. Applicable models only. The result may vary in actual usage.

© 2023 Signature Kitchen Suite. All rights reserved. Design, features and specifications are subject to change without notice. Specifications are for planning purposes only. Consult the product's installation instructions for final dimensional data and other details prior to making cutouts or custom panels. Consult with a heating and ventilation engineer for your specific ventilation requirements. Non-metric weights and measurements are approximate. Smart features require Internet access.

1-888-289-2802 | www.signaturekitchensuite.com

Style

| | |
|-------------------------|-------------|
| Door Style | Panel Ready |
| Interior Cabinet Finish | Metal |

Innovation

| | |
|------------------------------------------------------------|-----|
| Wi-Fi-Enabled for ThinQ® Control with iPhone / Android App | Yes |
| Remote Operations | Yes |
| Dual Inverter Compressors | Yes |
| 4 Drawer Design | Yes |
| Craft Ice™ and Cubed Ice | Yes |

Performance

| | |
|----------------------------|-----|
| Smart Cooling Plus® System | Yes |
| Dual Evaporators | Yes |
| Ice Plus | Yes |
| Adaptive Defrost | Yes |

Modes

Sabbath, Ice Plus, Demo, Icemaker On / Off, Power On / Off, Temp Control, Water Filter Reset, Smart Diagnosis, WiFi, Smart Grid

| | |
|--------------------------|-----|
| Internal Water Dispenser | Yes |
| Water Filter (6 Months) | Yes |
| Fresh Air Filter | Yes |

Capacity and Storage

| | |
|---------------------------------------|---------------------------|
| Total Capacity (cu. ft.) | 26.0 |
| Refrigerator Capacity (cu. ft.) | 18.35 |
| Freezer Capacity (cu. ft.) | 5.3 |
| Convertible Drawer Capacity (cu. ft.) | 2.35 |
| Full-Extension Freezer Storage Drawer | 2 Soft Close / Self Close |
| Full-Extension Dual Icemaker Drawer | 1 Soft Close / Self Close |
| Full-Extension Convertible Drawer | 1 Soft Close / Self Close |

Convertible Drawer Modes

Freezer (-7° to 5° F), Meat / Seafood (30° F), Cold Drinks (33° F), Fridge / Deli (37° F), Chilled Wine (41° F)

| | |
|-----------------------------|---|
| Convertible Drawer Dividers | 1 |
|-----------------------------|---|

SKSFD4826P

48-INCH BUILT-IN FRENCH DOOR REFRIGERATOR / FREEZER

Capacity and Storage (continued)

| | |
|---------------------------------------------------|--------------------------------------|
| Storage Shelves | 4 Adjustable w/LED Lighting, 1 Fixed |
| Lift and Go™ Crisper / Storage Drawers | 2 Soft Close / Self Close |
| Aluminum Framed Door Bins (Holds 2-Liter Bottles) | 6 Adjustable |

General Features

| | |
|-------------------------------------|---------------------------------|
| LCD Touch Screen | Yes |
| Water Filter Indicator | Yes |
| Dual Ice Makers with Craft Ice™ | Yes |
| Ice Production (24 Hrs.), Cubed | 3.5 lbs (3.8 lbs with Ice Plus) |
| Ice Production (24 Hrs.) Craft Ice™ | 3 Clear or 6 Standard |
| Ice On / Off | Yes |
| Smart Grid Ready | Yes |
| Hidden LED Interior Lighting | Yes |
| Operating Temperatures | |
| Refrigerator: 33° to 43° F | |
| Convertible Drawer: 5 Preset Modes | |
| Freezer Drawers: -7° to 5° F | |
| Temperature Sensors | 4 |
| Door Alarm | Yes |
| Cooling System | Multi-Air-Flow Technology |
| Maximum Sound Level | 39 dBA |
| Star-K Certified Sabbath Mode | Yes |
| ENERGY STAR® Certified | Yes |

Installation Features

| | |
|-------------------------------------------|----------------------------|
| Four Point Front Adjustable with 5 Wheels | Yes |
| Attachment Method to Cabinetry | Top with No Visible Screws |
| Front Serviceable | Yes |
| Anti-tip Bracket Included | Yes |

Technical Specs

| | |
|-----------------------|----------------------|
| Required Power Supply | 115 V, 60 Hz, 15 Amp |
| Plug Type | 3-Prong |
| Power Cord Length | 86 1/2" |

Dimensions and Weight

| | |
|-------------------------------------------------|------------------------------|
| Overall Width (inches) | 47 1/4" |
| Overall Height (inches) | 83 1/2" Min. – 84 3/16" Max. |
| Overall Depth Without Panel or Handles (inches) | 23 7/8" |
| Net Weight (approx.) | 668 lbs. |
| Shipping Weight (approx.) | 725 lbs. |

Optional Accessories

| | |
|------------------------------------------------|------------|
| Stainless Steel Panels / Handles / Toekick Kit | SKSPK480FS |
| Retrofit Frame Kit | SKSFK800CS |
| Brushed Aluminum Handle | |
| Medium – 31 11/16" | SKSHK310HS |
| Short – 22 3/4" (for Drawers) | SKSHK230HS |
| Replacement Water Filter | LT1000P |

Warranty Summary*

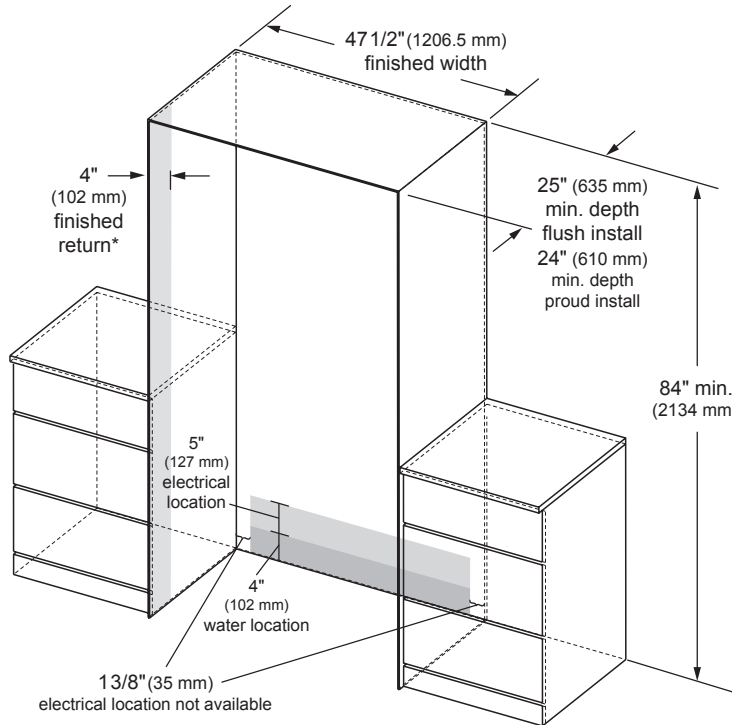
| | |
|---------------------------------------------------------------|----------|
| Limited Warranty, Parts & Labor | 3 Years |
| Limited Warranty, Sealed System and Compressor, Parts & Labor | 5 Years |
| Limited Warranty Compressor, Parts Only | 10 Years |

*These warranties give you specific legal rights and you may have other rights that vary from state to state. For complete warranty details, refer to your Use & Care manual.

SKSFD4826P

48-INCH BUILT-IN FRENCH DOOR REFRIGERATOR / FREEZER

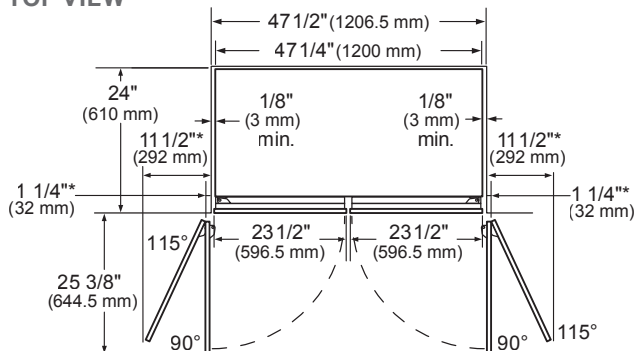
CUTOUT DIMENSIONS – FLUSH INSTALLATION



* A minimum 4" (102 mm) finished return that matches the cabinet exterior is recommended on all sides and the top of the cutout opening. The shaded area will be visible after installation.

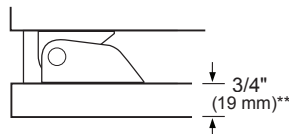
INSTALLATION CLEARANCES – FLUSH INSTALLATION

TOP VIEW



* Door handle must be added to this dimension.

** Varies depending on the thickness of the custom cabinet panel. 3/4" (19 mm) is relevant when using the Stainless Steel Door Panel Kit (optional accessory).



Notes

Refrigerator can be installed flush with 3/4" custom panel or optional stainless steel panel kit. With a 25" (635 mm) cutout depth, the front face of the refrigerator fits flush with 25" (635 mm) depth adjacent cabinets.

Electrical

A 115V, 60Hz., 15 amp power supply is required. An individual properly grounded branch circuit or circuit breaker is recommended. Install a properly grounded 3-prong electrical receptacle recessed into the back wall. Electrical must be located on rear wall as shown.

Note: GFI (ground fault interrupter) is not recommended.

Water Line

A cold water supply is required for automatic icemaker operation. Water pressure must be between 20 and 120 p.s.i.

Tubing should be long enough to extend to the front of the refrigerator. Allow enough tubing to accommodate a bend leading into the water line connection.

Water line can enter an opening through floor or back wall.

Install a shut-off valve between the icemaker water valve and cold water supply in the home.

Notes

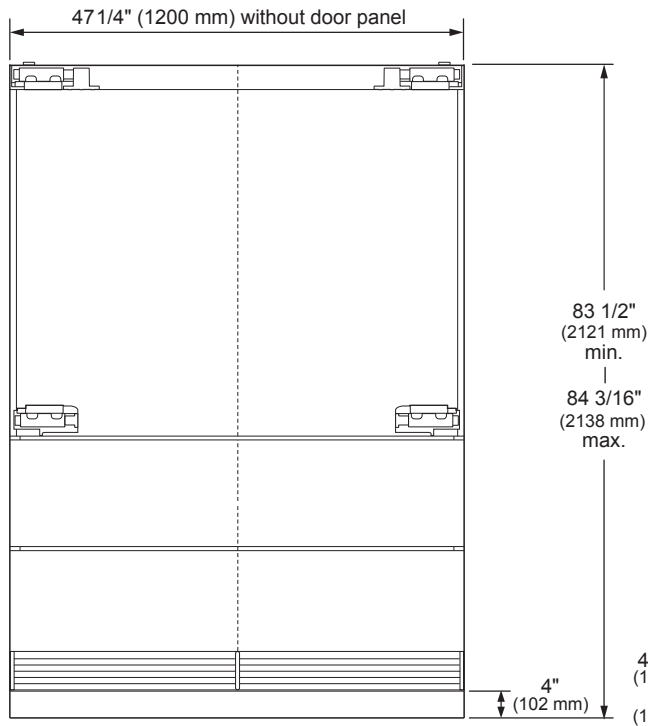
Door Swing Clearances – The installation must allow for clearances to adjacent walls or cabinets. This refrigerator is equipped with a 2-position door stop. The factory-set 115° door swing can be adjusted to 90° if clearance to adjacent cabinets or walls is restricted.

Door Handle Clearances – The Door Handle depth must be added to the dimension noted to determine the total clearances required from adjacent cabinets or walls. This clearance will vary depending on the custom handle used. When using the Stainless Steel Door Panel Kit w/Handles or the Brushed Aluminum Handles (optional accessories), the door handle clearance with door open 115° is 12" (305 mm).

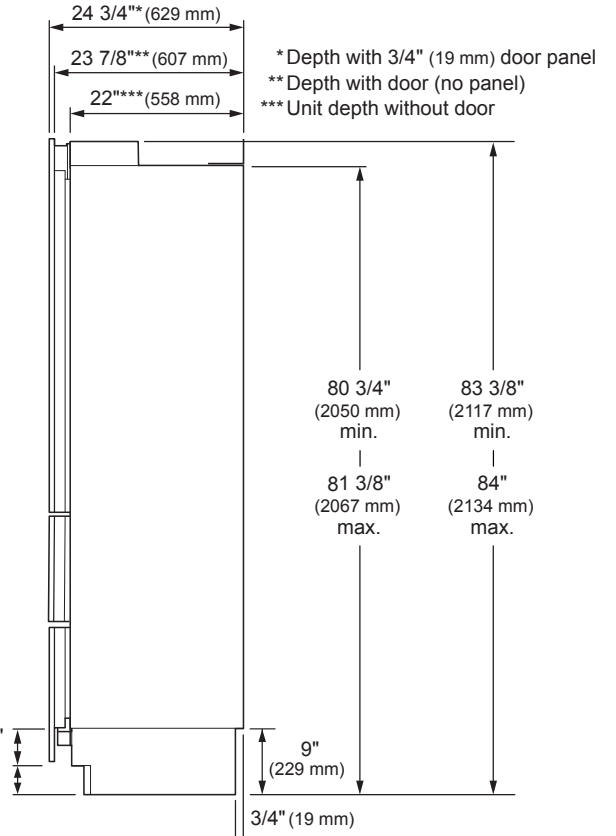
SKSFD4826P
48-INCH BUILT-IN FRENCH DOOR
REFRIGERATOR / FREEZER

OVERALL PRODUCT DIMENSIONS

FRONT VIEW



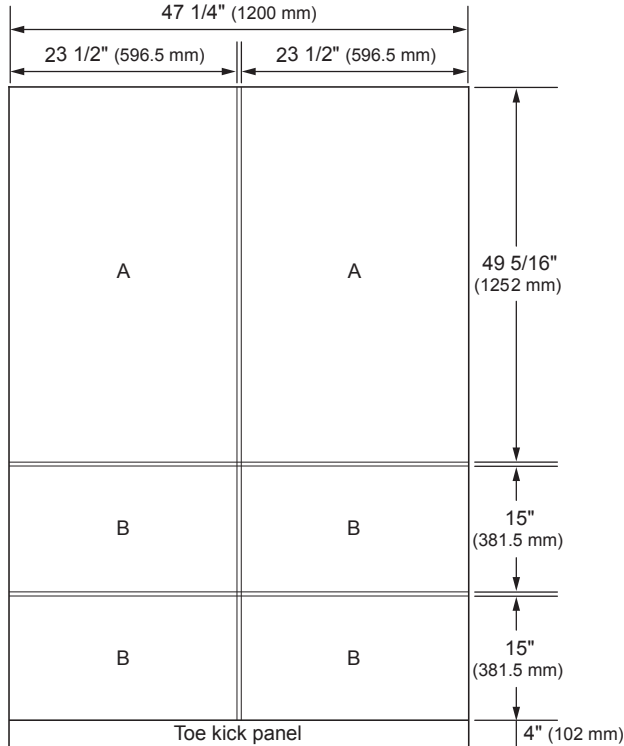
SIDE VIEW



SKSFD4826P

48-INCH BUILT-IN FRENCH DOOR REFRIGERATOR / FREEZER

CUSTOM PANEL DIMENSIONS



Notes

These units are designed to be customized with decorative panels. Field-installed custom door panels or an optional Stainless Steel Panel Kit is required.

For Custom Panels: Use templates provided with units to pre-drill holes for mounting panel brackets (provided with unit). Adjustment screws and instructions also provided with units.

Maximum Panel Weight:

A – Fresh food door panels: 33 lbs.

B – Drawer panels: 14 lbs.

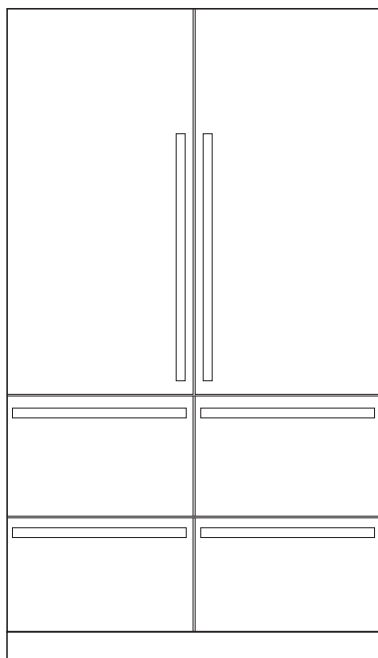
Design Tips

4" (102 mm) will be visible on the interior sides of the furniture return. It is recommended that both sides of each cutout panel be finished to match the cabinet exterior.

If using custom panels, a custom toe kick is required. The bottom of case is unfinished.

Door Handles: Handles are not included with the refrigerator. Custom handles are required for installation. Brushed Aluminum Handles are available as an optional accessory.

OPTIONAL ACCESSORIES



SKSPK480FS – Stainless Steel Panel Kit for 48-inch Built-in French Door Refrigerator / Freezer

This refrigerator can be installed with an optional Stainless Steel Panel Kit. Kit includes two fresh food door panels, four drawer panels, one toe kick and six handles.

Handles for Use With Custom Panels

SKSHK310HS – 31 11/16" (805 mm) Medium Handle for Doors – Brushed Aluminum

SKSHK230HS – 22 3/4" (578 mm) Short Handle for Drawers – Brushed Aluminum

SKSFK800CS - Frame Kit

This unit can be installed in a 24" (610 mm) deep cutout with an optional frame kit. The kit includes two 80" (2032 mm) brushed aluminum side trim pieces. Each trim piece is 5" (127 mm) deep with a 1/8" (3 mm) front face.