



INSTALLATION MANUAL

SPEED MICROWAVE OVEN

Read this installation manual thoroughly before installing the appliance and keep it handy for reference at all times.

ENGLISH



MFL71846702
Rev.02_022024

www.signaturekitchensuite.com

Copyright © 2024 Signature Kitchen Suite. All Rights Reserved.

TABLE OF CONTENTS

3 IMPORTANT SAFETY INSTRUCTIONS

- 3 READ ALL INSTRUCTIONS BEFORE USE
- 3 WARNING

5 INSTALLATION

- 5 Before Installing
- 9 Installing the Oven

10 APPENDIX

- 10 Checking Operation

IMPORTANT SAFETY INSTRUCTIONS

READ ALL INSTRUCTIONS BEFORE USE

Safety Messages

Your safety and the safety of others are very important.

We have provided many important safety messages in this manual and on your appliance. Always read and follow all safety messages.



This is the safety alert symbol.

This symbol alerts you to potential hazards that can kill or injure you and others. All safety messages will follow the safety alert symbol and either the word **WARNING** or **CAUTION**.

These words mean:



WARNING

You may be killed or seriously injured if you do not follow instructions.



CAUTION

You may be injured or cause damage to the product if you do not follow instructions.

All safety messages will tell you what the potential hazard is, tell you how to reduce the chance of injury, and tell you what may happen if the instructions are not followed.

WARNING



WARNING

- To reduce the risk of explosion, fire, death, electric shock, injury or scalding to persons when using this product, follow basic precautions, including the following:

Installation

- This appliance should not be installed by anyone except properly qualified service personnel.
- You will need two people to install this appliance. It is heavy and could cause personal injury if not handled properly.
- Avoid Electric Shock.

Before you drill into the wall, note where electrical outlets are and where electrical wires might be concealed behind the wall. You could get an electric shock if you contact electrical wires with your drill bit.

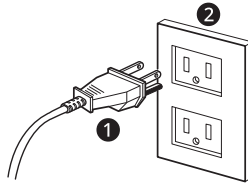
Locate and disconnect the power to any electrical circuits that could be affected by installing this appliance. If you do not disconnect the power, you could get an electric shock.

- This appliance must be grounded.

If there is an electrical short circuit, grounding reduces the risk of electric shock by providing an escape wire for the electric current. This appliance is equipped with a cord which includes a grounding wire with a grounding plug.

4 IMPORTANT SAFETY INSTRUCTIONS

- Place the plug into a properly installed and grounded outlet



- ❶ Three-pronged (grounding) plug
- ❷ Properly polarized and grounded outlet
- Do not use an extension cord.
- Keep the power cord dry and do not pinch or crush it. Failure to follow this instruction may cause a fire hazard.
- Do not, under any circumstances, remove the power supply cord grounding prong.
- If you use the grounding plug improperly, you risk electric shock and/or fire.
Check with a qualified electrician if you are not sure whether the oven is properly grounded or if you do not completely understand the grounding instructions.
- Do not use a fuse in the neutral or grounding circuit.
- Improper grounding could result in electric shock, fire or other personal injury.

Operation

- If you do not use the oven as instructed, you could be exposed to excessive microwave energy.
- Do not try to operate the oven with the door open.
- Do not tamper with or defeat the safety interlocks.
- Do not place objects between the oven front face and the door.
- Do not allow soil or cleaner residue to build up on the flat surfaces around the oven door.
- Do not operate the oven if it is damaged.
- The oven door must close properly to operate safely.
- Do not use the oven:
 - If the door is bent.
 - If the hinges or latches are broken or loose.
 - If the door seals, sealing surfaces or glass is broken.
- Do not attempt to adjust or repair the oven yourself. It should be adjusted and repaired by a qualified technician who can check for microwave leakage after repairing the oven.

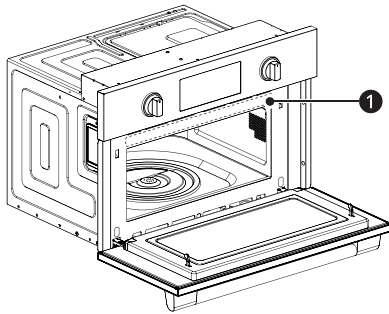
SAVE THESE INSTRUCTIONS

INSTALLATION

Before Installing

Before You Start

Be sure to read the following safety instructions. Read the entire manual before you begin. The model name, serial number, and cooking guide ❶ are located on the oven front.



and front trim until the marks or opening are covered.

- If the cabinet does not have a front frame and the sides are less than 3/4" (1.9 cm) thick, shim both sides equally to establish the cutout width.
- Allow at least a 23" clearance for the door depth when it is open.
- Kitchen cabinets in contact with the oven must be heat resistant up to 194 °F (90 °C), and fronts of nearby units up to at least 158 °F (70 °C).

NOTE

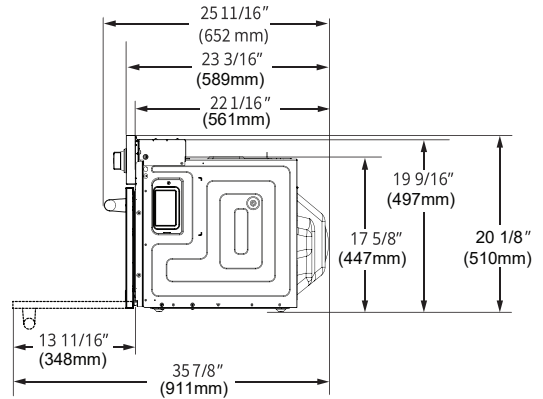
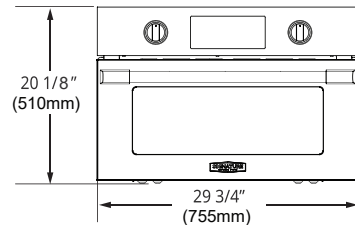
- This installation must be completed by a qualified installer or technician. Proper installation is the responsibility of the installer and product failure due to improper installation is NOT covered under warranty.
 - Installer: Retain these instructions for local inspector's reference, then leave them with the consumer.
 - Consumer: Read and keep these instructions for future reference and be sure to read the entire OWNER'S MANUAL prior to use.
 - Do not use parts other than the provided components when you install the product.

Measure the current cutout dimensions and compare them to the cutout dimensions shown below. Little or no cabinet work may be necessary.

NOTE

- The cabinet base platform must be able to support 90 lbs (40.82 kg) for the oven. If the cabinet does not have a solid bottom, two braces or runners must be installed level with the bottom of the cutout to support the weight of the oven. Make sure the base is level and the front of the cabinet is square. If the cabinet base is not level, the oven racks will tend to slide out when opening the door.
- If marks, blemishes or the cutout opening are visible above the installed oven, it may be necessary to add wood shims under the runners

Product Dimensions



Cabinet Cutout Dimensions

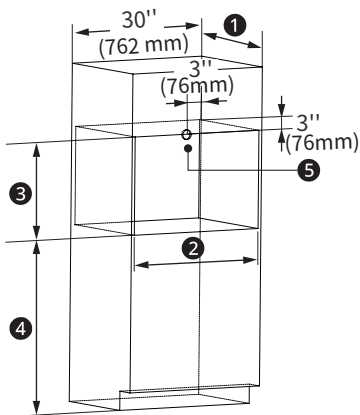
Prepare the Opening

The speed microwave oven can be installed in combination with other built-in appliances. Always follow each product's installation instructions to complete the installation.

Single Speed Microwave Oven Installation:

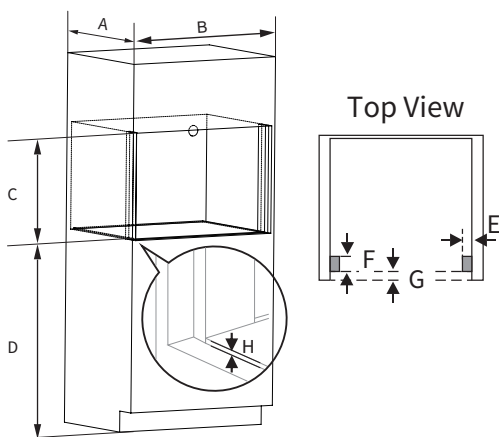
Order a 30" wide single oven cabinet or cut the opening in a wall to the dimensions shown.

Cutout Dimensions(Proud)



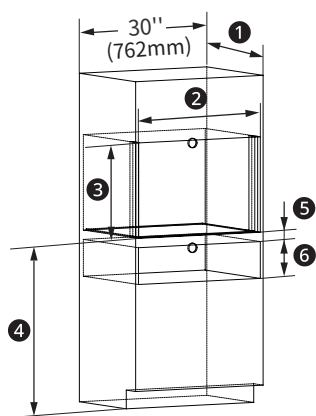
①	Cutout Depth	23 1/2" Min (597 mm)
②	Cutout Width	28 5/8" (727 mm)
③	Cutout Height	20" (508 mm)
④	Cutout location from floor	36 3/4" Min (934 mm) Recommended
⑤	Power cord hole	

Cutout Dimensions (Flush)



A	Cutout Depth	23 1/2" Min (597 mm)
B	Cutout Width	30" (762 mm)
C	Cutout Height	20 5/16" Min (516 mm)
D	Cutout location from floor	36 3/4" Min (934 mm)
E	Cleats Width	3/4" (19 mm)
F	Cleats Depth	2 1/2" (64 mm)
G	Door Inset Depth	1 1/8" (29 mm)
H	Cleat thickness	3/16" (5 mm)

Installation over a Warming Drawer:



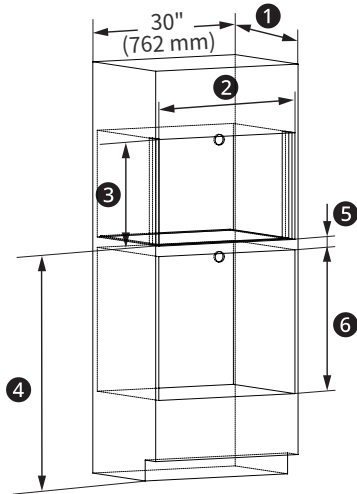
①	Cutout Depth	23 1/2" Min (597 mm)
②	Cutout Width	28 5/8" (727 mm)
③	Cutout Height	20" (508 mm)
④	Cutout location from floor	36 3/4" Min (934 mm) Recommended
⑤	2" Min (51 mm) * 3" (76 mm) Recommended	
⑥	Per warming drawer requirement	

NOTE

- Additional clearances between the cutouts may be required. Check to be sure the oven supports above the warming drawer location do not obstruct the required interior depth and height. See warming drawer's installation instructions for details.

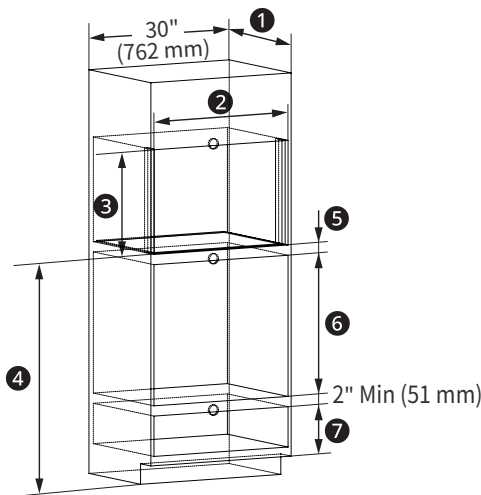
Installation over a Wall Oven:

If you are replacing an electric double oven with the combined installation of a wall oven and a speed microwave oven, use the dimensions shown. The middle rail separating the two openings may need to be larger than the 2" minimum shown.



1	Cutout Depth	23 1/2" Min (597 mm)
2	Cutout Width	28 5/8" (727 mm)
3	Cutout Height	20" (508 mm)
4	Cutout location from floor	45 1/4" Min (1149 mm) Recommended
5	2" Min (51 mm) * 3" (76 mm) Recommended	
6	Per oven requirement	

Installation over a Wall Oven and Warming Drawer:



1	Cutout Depth	23 1/2" Min (597 mm)
2	Cutout Width	28 5/8" (727 mm)
3	Cutout Height	20" (508 mm)
4	Cutout location from floor	45 1/4" Min (1149 mm) Recommended
5	2" Min (51 mm) * 3" (76 mm) Recommended	
6	Per oven requirement	
7	Per warming drawer requirement	

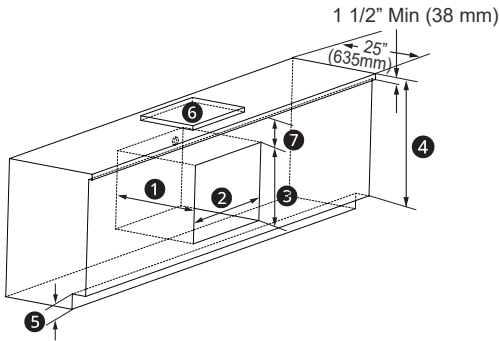
NOTE

- Additional clearances between the cutouts may be required. Check to be sure the oven supports above the warming drawer location do not obstruct the required interior depth and height. See warming drawer installation instructions for details.

Installation under a 30" or 36" Cooktop or Countertop:

Gas or electric cooktops may be installed over this oven. See cooktop installation instructions for the cutout size. This oven requires a separate, properly grounded 16-Amp, 120-Volt, 60Hz power supply. The cooktop requires a separate power supply. Use a 36" or wider base cabinet.

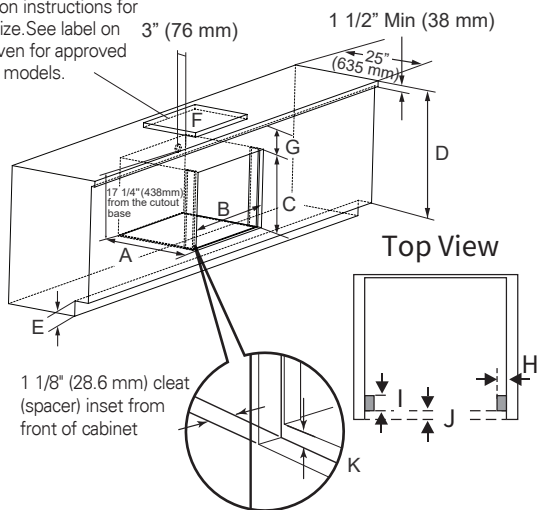
Cutout Dimensions (Proud)



1	Cutout Depth	23 1/2" Min (597 mm)
2	Cutout Width	28 5/8" (727 mm)
3	Cutout Height	20" (508 mm)
4	Countertop Height	36" (914 mm)
5	High Toe Kick	4" (102 mm)
6	Cooktop	
7	Cooktop height including depth of electrical box on some models. Refer to cooktop installation instructions. No minimum clearance required between cooktop and oven.	

Cutout Dimensions (Flush)

Gas or electric cooktops may be installed over this oven. See cooktop installation instructions for cutout size. See label on top of oven for approved cooktop models.



A	Cutout Depth	23 1/2" Min (597 mm)
B	Cutout Width	30" (762 mm)
C	Cutout Height	20 5/16" Min (516 mm)
D	Countertop Height	36" (914mm)
E	High Toe Kick	4" (102 mm)
F	Cooktop	
G	Cooktop height including depth of electrical box on some models. Refer to cooktop installation instructions. No minimum clearance required between cooktop and oven.	
H	Cleats Width	3/4" (19 mm)
I	Cleats Depth	2 1/2" (64 mm)
J	Door Inset Depth	1 1/8" (29 mm)
K	Cleat thickness	3/16" (5 mm)

Parts

Included Parts



4 X 14

6 Wood Screws (silver) for the oven mounting (4 needed for installation and 2 extras)

Tools and Materials

You will need the following tools and materials for the installation:

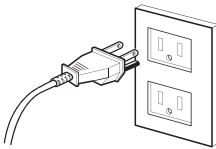


- ① Phillips Screwdriver ② Drill

Installing the Oven

Step 1: Prepare the Electrical Connection

Do not, under any circumstances, remove the power supply cord grounding prong.



⚠ WARNING

- Avoid electric shock. This appliance must be grounded.
- Improper grounding could result in electric shock or other personal injury.

NOTE

- The outlet should be on a circuit dedicated to the oven (120V, 60 Hz., AC only) with a 20 A fused electrical supply.
- Important: If you do not have the proper wall outlet, you must have one installed by a qualified electrician.
- Do not use an extension cord. Keep the power cord dry and do not pinch or crush it.

Step 2: Install the Oven in the Cabinet

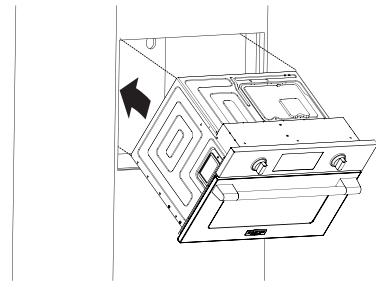
- 1 Remove the packaging and parts.
 - Remove all packing material and tape.
 - Locate parts package containing mounting screws.
 - Remove the oven from the carton. Do not lift unit by handle or conduit. Two people are required to lift this oven.
 - Open the door and remove any packaging in the oven.

- 2 Slide the oven into the cutout.

⚠ CAUTION

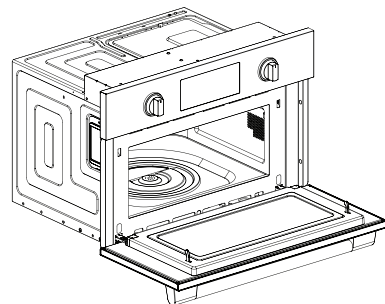
- Two people are required to lift the oven into the opening. Grasp the bottom at front and rear. **DO NOT USE THE HANDLE TO LIFT THE OVEN. DAMAGE WILL OCCUR.**

- Lift and hold the oven at the front of the opening. Hold the oven at an angle and plug in the power cord.
- Carefully slide the oven partway into the cabinet. Leave the oven a few inches forward of the cabinet frame.
- Check to be sure the power cord is not trapped under the oven or along the sides of the oven.



- 3 Install mounting screws.

- Slide the oven the remaining way into the opening so that the side flanges and control panel are against the cabinet frame. Make sure that the oven is centered in the opening.
- Open the door, place a turntable tray in the oven and make sure that the tray in the unit is level.
- Drill pilot holes through the side flanges.
- Drive the color-matched screws into the side flanges. It is recommended that the screws be hand tightened.



- 4 Finalize installation.

- Turn power on at the source. The interior light should come on when the door is opened.
- Refer to the Owner's Manual for operating instructions.

APPENDIX

Checking Operation

Before Using the Oven

- 1** Plug in the power supply cord.
- 2** Read your Owner's Manual, and then check the operation of your oven.



Customer Information Center

For inquiries or comments,
visit www.signaturekitchensuite.com or call:

1-855-790-6655 U.S.A.