

SKSDW2402P POWERSTEAM® PANEL-READY DISHWASHER

SIGNATURE
KITCHEN SUITE



POWERSTEAM® TECHNOLOGY

PowerSteam technology offers maximum steam cleaning for fewer water spots, resulting in sparkling clean dishes.

LODECIBEL™ QUIET OPERATION (44 dBA)

Signature Kitchen Suite dishwashers are among the quietest on the market, so you can enjoy a powerful clean—without disrupting your day.

INTELLIGENT LIGHTING

LED lighting illuminates the interior while a beam of light shines information on the floor to let you know the status of the cycle.

EASY LOADING AND MAXIMUM FLEXIBILITY

The EasyRack™ Plus system provides outstanding flexibility and convenience, adjusting to just about any load of dishes to help ensure optimal cleaning performance. The height adjustable 3rd rack provides more space and flexibility to fit virtually everything from flatware to wine glasses.

WI-FI ENABLED FOR SMART CONTROL

Monitor cycle status and start cycles remotely, get notifications when a cycle is completed, and download and use specialized dishwasher cycles—all from a mobile device using the ThinQ® app.

Innovation

Wi-Fi Enabled for ThinQ® Control with iPhone / Android App	Yes
Remote Operations	Yes

Performance

PowerSteam® Technology	Yes
QuadWash™ System	Yes
Inverter Direct Drive™ Technology	Yes
LoDecibel™ Quiet Operation	44 dBA
Number of Spray Arms	3 (Top, Upper, Lower)
SenseClean™ Wash System	Yes
Vario Wash	Yes
Hidden Water Heater	Yes
3-Stage Filtration System	Yes
Hybrid Condensing Drying System	Yes
Water Softener	Yes

Features

Number of Wash Cycles	10 (Auto, Heavy, Delicate, Refresh, Normal, Turbo, Download Cycle, Machine Clean, Rinse, Express)
Number of Options	8 (Dual Zone, Half Load, Steam, High Temp, Extra Dry, Delay Start, Control Lock, Remote Start)
End of Cycle Indicator	Beeper + END Indication on Display
Detergent and Rinse-Aid Dispenser	Yes
Tub Light	Yes

SKSDW2402P
POWERSTEAM® PANEL-READY DISHWASHER

Style and Design

Door Style	Panel Ready
European Style for Flush Installation	Yes
Electronic Controls	Top Control
Light Beam Status Indicator	Yes
Time Remaining Indicator	LED Light Beam
Tub Material	NeveRust™ Stainless Steel
Balanced Door	Yes

Capacity

Total Place Settings	14
EasyRack™ Plus System	Yes
Height-Adjustable 3rd Rack	Yes
Height Adjustable Upper Rack	Yes
Cutlery Baskets	Yes
Cup Rack	Yes
Stemware Holder	Yes
Fold Down Tines	Full Fold Upper / Lower
BPA-Free Nylon Coated Racks / Tines	Yes
Rack Handle	Upper / Lower
Glide Rail	Yes
Wheel Bearing	Yes

Technical Specs

ENERGY STAR® Certified	Yes
Energy Use (kWh/Year)	269 kWh/Year
Water Use (Gallons/Cycle)	2.9
Required Power Supply	120 V, 60 Hz, 15 Amp
Inlet Water Temperature	120 °F min. - 149 °F max.
Water Pressure	20 – 80 psi

Dimensions and Weight

Overall Width (Inches)	23 1/2"
Overall Height (Inches)	32 1/16" – 34 7/16"
Overall Depth (Inches)	21 13/16"
Depth with Door Open	48"
Net Weight (approx.)	88 lbs
Shipping Weight (approx.)	99 lbs

Warranty Summary*

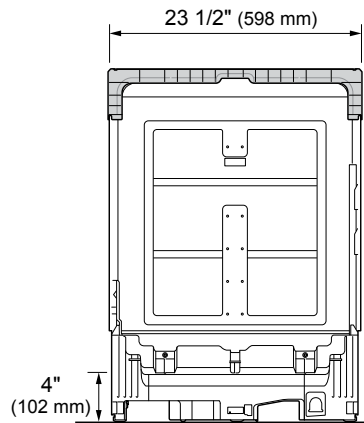
Limited Warranty, Parts & Labor	3 Years
Limited Warranty on Control Board, Rack Parts, and Stainless Steel Door Liner or Tub, Parts Only	5 Years
Limited Warranty on Direct Drive Motor, Parts Only	10 Years

*These warranties give you specific legal rights and you may have other rights that vary from state to state. For complete warranty details, refer to your Use & Care manual.

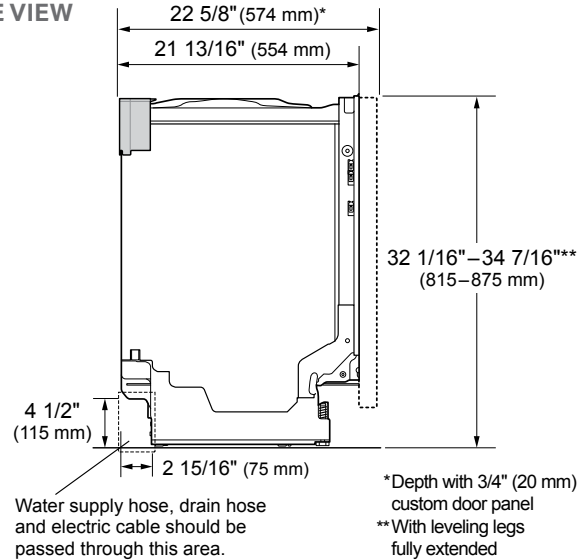
SKSDW2402P
POWERTEAM® PANEL-READY DISHWASHER

OVERALL PRODUCT DIMENSIONS

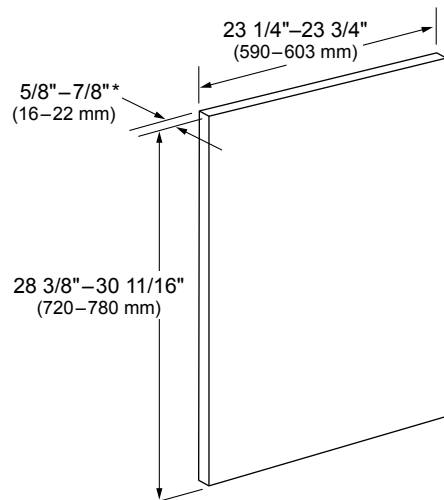
BACK VIEW



SIDE VIEW

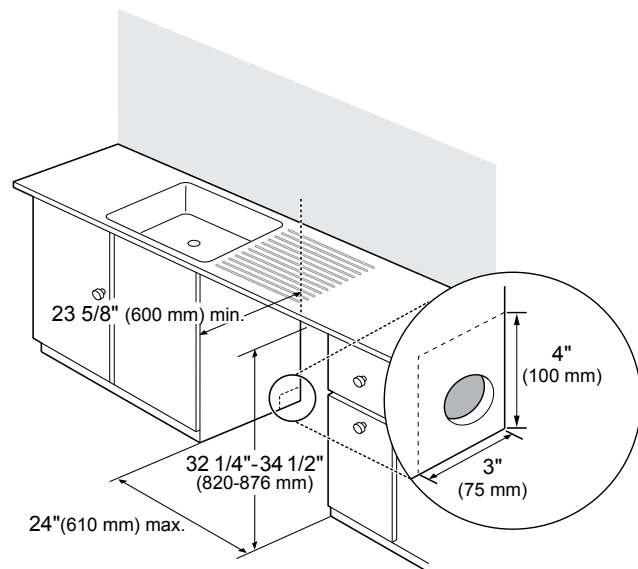


CUSTOM PANEL DIMENSIONS



*3/4" (20 mm) recommended panel thickness.
 5.5-24.2 lb. panel weight.

INSTALLATION CLEARANCES



Notes

This dishwasher is designed to be installed flush with a field-installed, 3/4" (20 mm) custom door panel. The dishwasher depth is European-style, designed to sit completely flush in 24" deep cabinets, within a standard dishwasher opening.

An opening may be needed on both sides to route plumbing and electrical connections. See marked areas above for water and electrical clearances in base of dishwasher.

To ensure proper drainage, install the dishwasher no more than 12 ft. (3.65 m) from the sink.

Electrical connection should be in an accessible location adjacent to and not behind the dishwasher and within 4 ft. (1.2 m) of the dishwasher's side.