

SKSFD3613S

36-INCH COUNTER-DEPTH FRENCH DOOR REFRIGERATOR

SIGNATURE
KITCHEN SUITE



DOOR-IN-DOOR® WITH COLDSAVER™ PANEL

Save time with storage ingeniously hidden inside the refrigerator door.

CRAFT ICE™

Our exclusive slow-melting round ice maker automatically makes batches of three or six ice balls per day.* Give your beverages unique ice for next level entertaining, from craft cocktails & whiskey to soft drinks.

SMART COOLING PLUS® SYSTEM

The Inverter Linear Compressor and Dual Evaporators react quickly to temperature levels to help keep food fresher, longer.

3-TIER ORGANIZATION FREEZER

Keep food organized and easily accessible so you can find anything fast.

COOL GUARD

Together with its charcoal gray inside, the Cool Guard metal interior panel adds a premium look.

WI-FI-ENABLED

With ThinQ® technology, you can control your refrigerator from a smartphone, monitor energy usage and get important alerts.

*Shape and clarity of ice may vary with settings, water supply and home use conditions

Style

Counter-Depth	Yes
Door-in-Door®	Yes

Innovation

Wi-Fi-Enabled for ThinQ® Control with iPhone / Android App	Yes
Remote Operations	Yes
Linear Compressor	Yes
Craft Ice™	Yes (In Freezer)

Performance

Dual Evaporators	Yes
Modes	Ice Plus, Demo, Icemaker On / Off, Power On / Off, Temp Control, Water Filter Reset, Smart Diagnosis, Sabbath, WiFi, Smart Grid
Water Filter (6 Months)	Yes

Capacity and Storage

Total Capacity (cu. ft.)	23.5
Refrigerator Capacity (cu. ft.)	15.4
Freezer Capacity (cu. ft.)	8.1
Refrigerator	
Storage Shelves	4 Adjustable, 1 Fixed
Fresh Filters	Yes
Folding Shelf	Yes
Shelf Construction	Spill Protector™ Tempered Glass
Crisper Bins	2-Humidity Crispers, 1 Condiment Box
Glide N' Serve™ Drawer with Digital Controls	Yes
Freezer	
Drawer Type	Pull-out Drawer
3-Tier Organization	Yes
DuraBase™ Solid Drawer Base	Yes
Ice Bin	Yes

© 2023 Signature Kitchen Suite. All rights reserved. Design, features and specifications are subject to change without notice. Specifications are for planning purposes only. Consult the product's installation instructions for final dimensional data and other details prior to making cutouts or custom panels. Consult with a heating and ventilation engineer for your specific ventilation requirements. Non-metric weights and measurements are approximate. Smart features require Internet access.

1-855-790-6655 | www.signaturekitchensuite.com

SKSFD3613S
36-INCH COUNTER-DEPTH
FRENCH DOOR REFRIGERATOR

General Features

SmoothTouch™ Stainless Steel Controls w/White LED Display	Yes (External)
Water Filter Indicator	Yes
Ice Production (24 Hrs.)	4.5 lbs (4.9 lbs with IcePlus™)
Ice On / Off	Yes
Cool Guard Metal Interior Panel	Yes
Premium LED Interior Lighting	Yes
Maximum Sound Level	42 dBA
ENERGY STAR® Certified	Yes
Energy Consumption	717 kWh/Year
Dual Ice Makers with Craft Ice™	Yes
External Ice & Water Dispenser	Yes
Smart Grid Ready	Yes
Ice System	Slim SpacePlus™
Temperature Sensors	10
Door Alarm	Yes
Cooling System	Multi-Air-Flow Technology
Sabbath Mode	Yes

Technical Specs

Required Power Supply	115 V, 60 Hz, 15 Amp
Plug Type	3-Prong
Power Cord Length	110"

Dimensions and Weight

Overall Width (inches)	35 3/4
Overall Height (inches)	70 1/4
Overall Depth with Handles (inches)	30 3/4
Overall Depth without Handles (inches)	28 1/4
Overall Depth without Door (inches)	24
Net Weight (approx.)	317 lbs.
Shipping Weight (approx.)	341 lbs.

Optional Accessories

Replacement Water Filter	LT1000P-S
--------------------------	-----------

Warranty Summary*

Limited Warranty, Parts & Labor	3 Years
Limited Warranty, Sealed System and Compressor, Parts & Labor	5 Years
Limited Warranty Compressor, Parts Only	10 Years

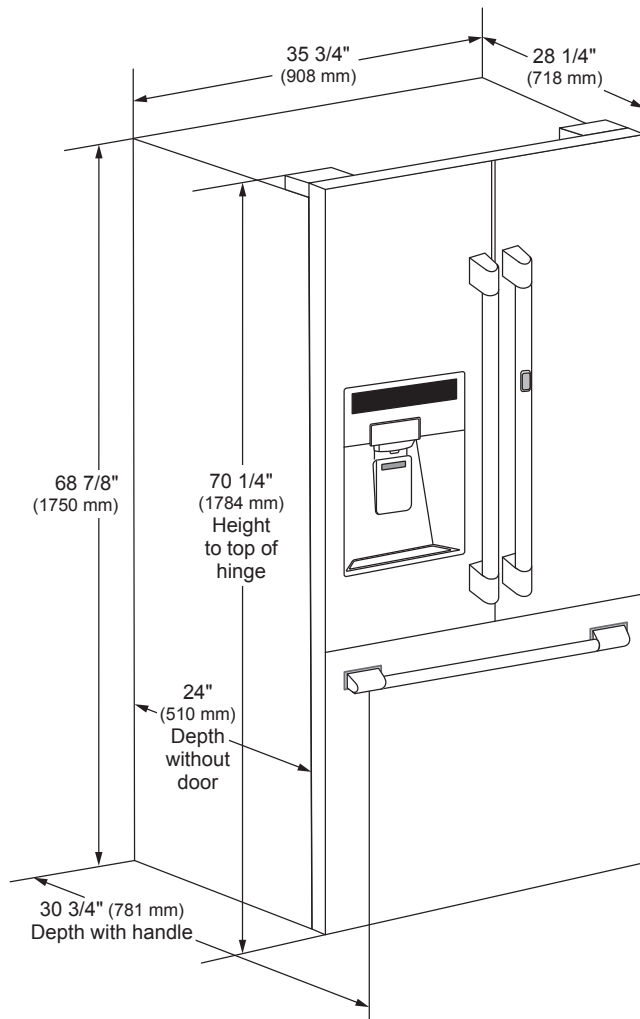
*These warranties give you specific legal rights and you may have other rights that vary from state to state. For complete warranty details, refer to your Use & Care manual.

SKSFD3613S

36-INCH COUNTER-DEPTH FRENCH DOOR REFRIGERATOR

OVERALL PRODUCT DIMENSIONS

FRONT VIEW



Notes

Check the dimension of the cutout to install the product against the dimension stated in the installation manual. The dimensions are the recommended dimensions to install the product. (If the cutout dimension is smaller than the recommended dimension, the product cannot be installed.)

Clearances

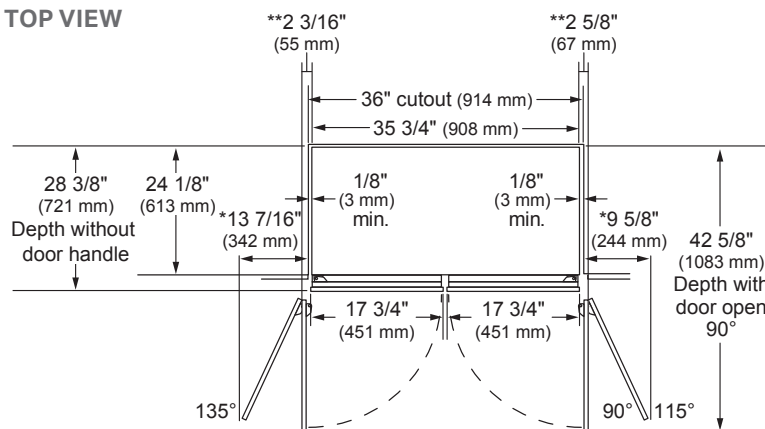
The installation must allow for clearances to adjacent walls or cabinets.

A minimum of 2" (50 mm) clearance to the back wall is required.

A minimum of 2" (50 mm) clearance above the refrigerator is required.

A minimum of 24" (610 mm) in front of the refrigerator is required.

TOP VIEW



*Add 2 1/2" (63 mm) for door handle

**Clearance required to open door 90°