

SIGNATURE

KITCHEN SUITE

INTEGRATED AND BUILT-IN REFRIGERATION PLANNING / INSTALLATION GUIDE

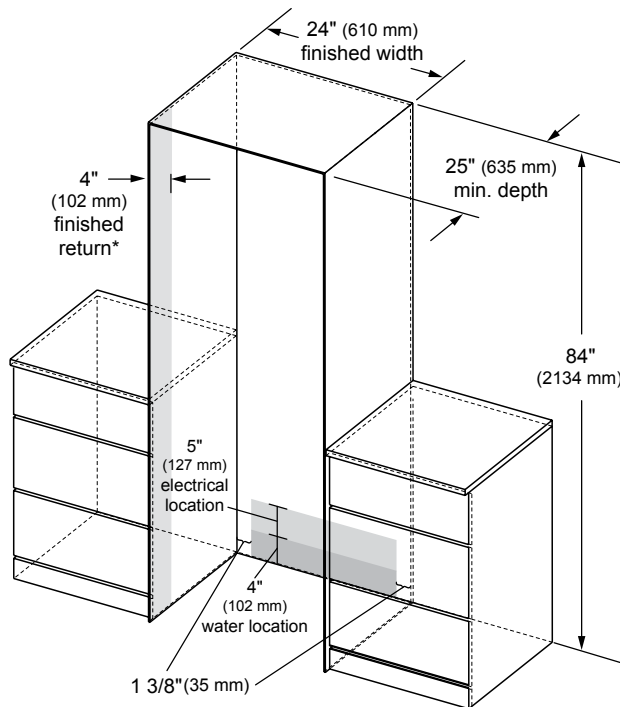


INTEGRATED COLUMN FLUSH INSTALLATION

24-INCH INTEGRATED COLUMN REFRIGERATOR

CUTOUT DIMENSIONS – FLUSH INSTALLATION

SINGLE COLUMN



* A minimum 4" (102 mm) finished return that matches the cabinet exterior is recommended on all sides and the top of the cutout opening. The shaded area will be visible after installation.

Notes

Refrigerator can be installed flush with 3/4" custom panel or optional stainless steel panel kit.

With a 25" (635 mm) cutout depth, the front face of the refrigerator fits flush with 25" (635 mm) depth adjacent cabinets.

Electrical

A 115V, 60Hz., 15 amp power supply is required. An individual properly grounded branch circuit or circuit breaker is recommended. Install a properly grounded 3-prong electrical receptacle recessed into the back wall. Electrical must be located on rear wall as shown.

Note: GFI (ground fault interrupter) is not recommended.

Water Line

A cold water supply is required for water dispenser operation. Water pressure must be between 20 and 120 p.s.i.

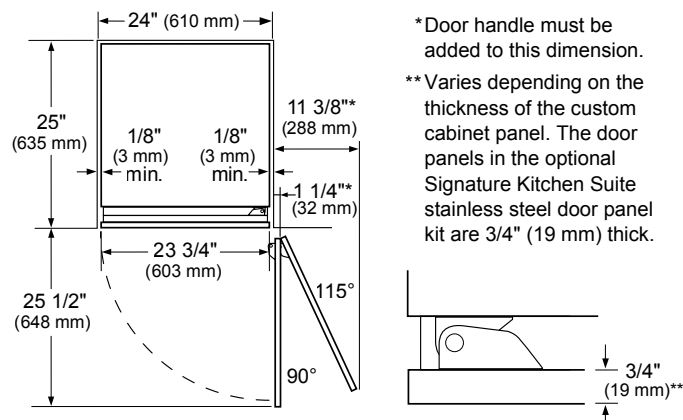
Tubing should be long enough to extend to the front of the refrigerator. Allow enough tubing to accommodate a bend leading into the water line connection.

Water line can enter an opening through floor or back wall.

24-INCH INTEGRATED COLUMN REFRIGERATOR

INSTALLATION CLEARANCES – FLUSH INSTALLATION

TOP VIEW



* Door handle must be added to this dimension.

**Varies depending on the thickness of the custom cabinet panel. The door panels in the optional Signature Kitchen Suite stainless steel door panel kit are 3/4" (19 mm) thick.

Notes

Door Swing Clearances – The installation must allow for clearances to adjacent walls or cabinets. This refrigerator is equipped with a 2-position door stop. The factory-set 115° door swing can be adjusted to 90° if clearance to adjacent cabinets or walls is restricted.

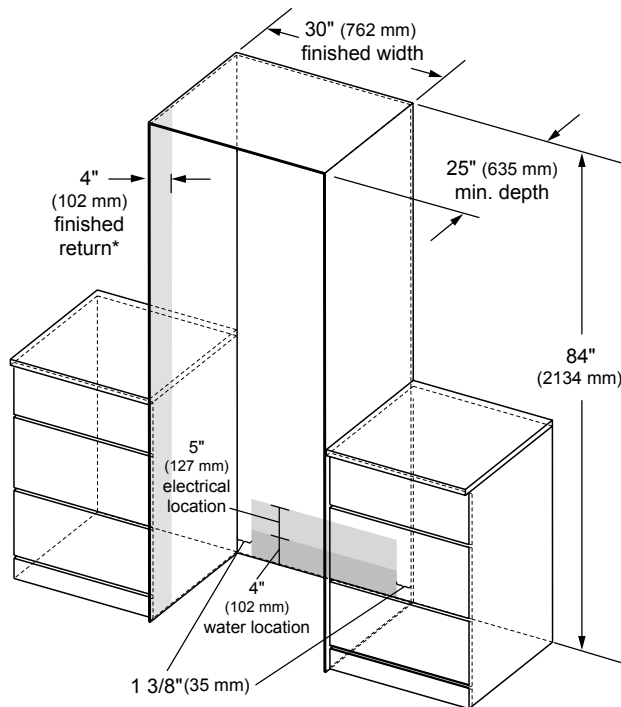
Door Handle Clearances – The Door Handle depth must be added to the dimension noted to determine the total clearances required from adjacent cabinets or walls. This clearance will vary depending on the custom handle used. When using the Stainless Steel Door Panel Kit w/Handle or the Brushed Aluminum Handle (optional accessories), the door handle clearance with door open 115° is 14" (356 mm).

INTEGRATED COLUMN FLUSH INSTALLATION

30-INCH INTEGRATED COLUMN REFRIGERATOR

CUTOUT DIMENSIONS – FLUSH INSTALLATION

SINGLE COLUMN



*A minimum 4" (102 mm) finished return that matches the cabinet exterior is recommended on all sides and the top of the cutout opening. The shaded area will be visible after installation.

Notes

Refrigerator can be installed flush with 3/4" custom panel or optional stainless steel panel kit.

With a 25" (635 mm) cutout depth, the front face of the refrigerator fits flush with 25" (635 mm) depth adjacent cabinets.

Electrical

A 115V, 60Hz., 15 amp power supply is required. An individual properly grounded branch circuit or circuit breaker is recommended. Install a properly grounded 3-prong electrical receptacle recessed into the back wall. Electrical must be located on rear wall as shown.

Note: GFI (ground fault interrupter) is not recommended.

Water Line

A cold water supply is required for water dispenser operation. Water pressure must be between 20 and 120 p.s.i.

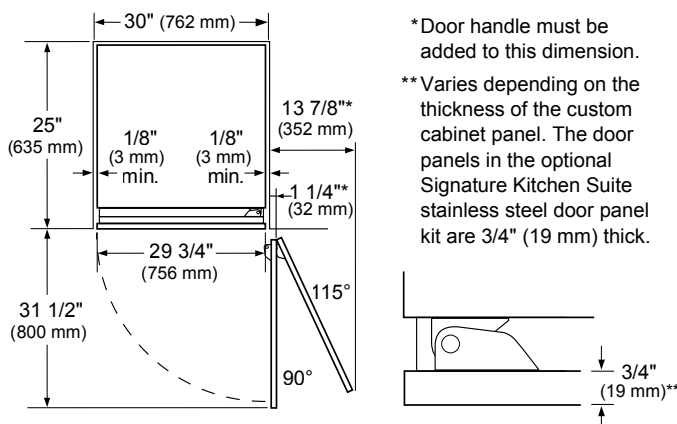
Tubing should be long enough to extend to the front of the refrigerator. Allow enough tubing to accommodate a bend leading into the water line connection.

Water line can enter an opening through floor or back wall.

30-INCH INTEGRATED COLUMN REFRIGERATOR

INSTALLATION CLEARANCES – FLUSH INSTALLATION

TOP VIEW



*Door handle must be added to this dimension.

**Varies depending on the thickness of the custom cabinet panel. The door panels in the optional Signature Kitchen Suite stainless steel door panel kit are 3/4" (19 mm) thick.

Notes

Door Swing Clearances – The installation must allow for clearances to adjacent walls or cabinets. This refrigerator is equipped with a 2-position door stop. The factory-set 115° door swing can be adjusted to 90° if clearance to adjacent cabinets or walls is restricted.

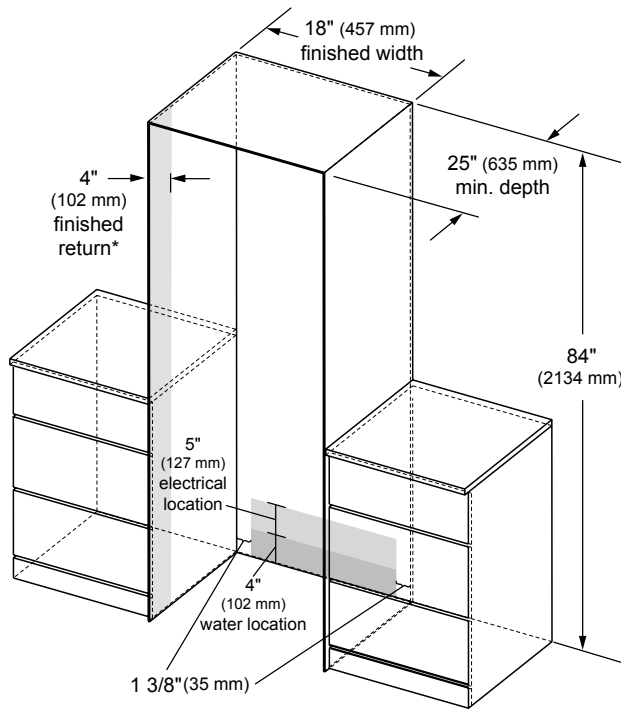
Door Handle Clearances – The Door Handle depth must be added to the dimension noted to determine the total clearances required from adjacent cabinets or walls. This clearance will vary depending on the custom handle used. When using the Stainless Steel Door Panel Kit w/Handle or the Brushed Aluminum Handle (optional accessories), the door handle clearance with door open 115° is 16" (406 mm).

INTEGRATED COLUMN FLUSH INSTALLATION

18-INCH INTEGRATED COLUMN FREEZER

CUTOUT DIMENSIONS – FLUSH INSTALLATION

SINGLE COLUMN



*A minimum 4" (102 mm) finished return that matches the cabinet exterior is recommended on all sides and the top of the cutout opening. The shaded area will be visible after installation.

Notes

Freezer can be installed flush or proud with 3/4" custom panel or optional stainless steel panel kit.

With a 25" (635 mm) cutout depth, the front face of the freezer fits flush with 25" (635 mm) depth adjacent cabinets.

Electrical

A 115V, 60Hz., 15 amp power supply is required. An individual properly grounded branch circuit or circuit breaker is recommended. Install a properly grounded 3-prong electrical receptacle recessed into the back wall. Electrical must be located on rear wall as shown.

Note: GFI (ground fault interrupter) is not recommended.

Water Line

A cold water supply is required for automatic icemaker operation. Water pressure must be between 20 and 120 p.s.i.

Tubing should be long enough to extend to the front of the freezer. Allow enough tubing to accommodate a bend leading into the water line connection.

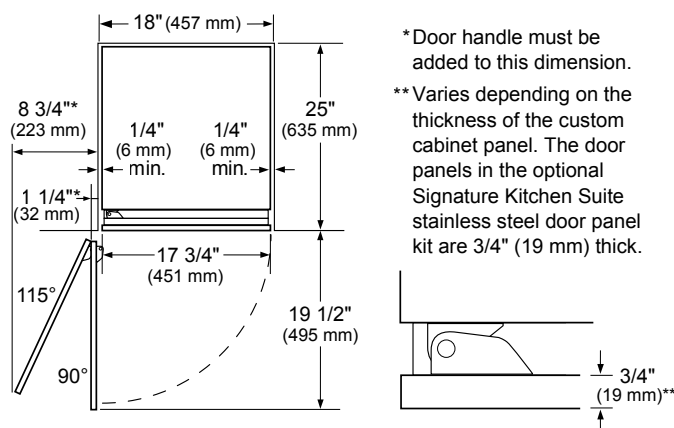
Water line can enter an opening through floor or back wall.

Install a shut-off valve between the icemaker water valve and cold water supply in the home.

18-INCH INTEGRATED COLUMN FREEZER

INSTALLATION CLEARANCES – FLUSH INSTALLATION

TOP VIEW



*Door handle must be added to this dimension.

**Varies depending on the thickness of the custom cabinet panel. The door panels in the optional Signature Kitchen Suite stainless steel door panel kit are 3/4" (19 mm) thick.

Notes

Door Swing Clearances – The installation must allow for clearances to adjacent walls or cabinets. This freezer is equipped with a 2-position door stop. The factory-set 115° door swing can be adjusted to 90° if clearance to adjacent cabinets or walls is restricted.

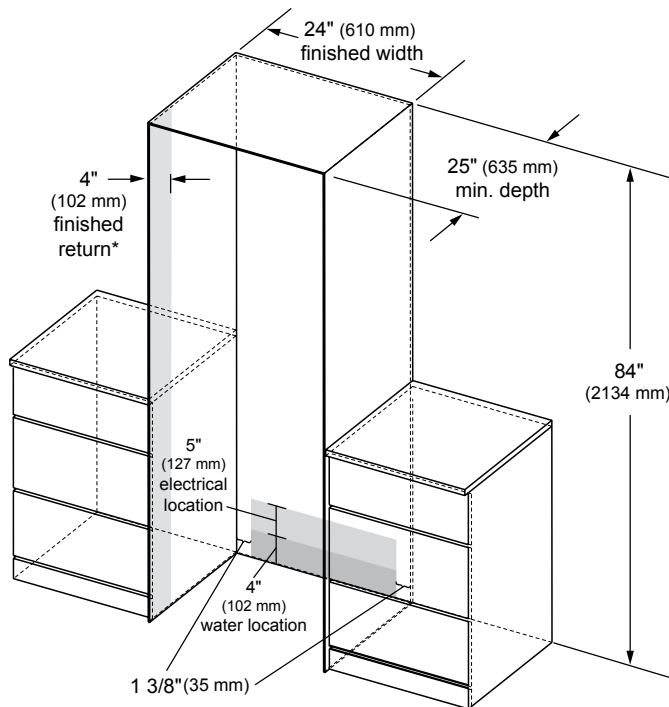
Door Handle Clearances – The Door Handle depth must be added to the dimension noted to determine the total clearances required from adjacent cabinets or walls. This clearance will vary depending on the custom handle used. When using the Stainless Steel Door Panel Kit w/Handle or the Brushed Aluminum Handle (optional accessories), the door handle clearance with door open 115° is 11" (279 mm).

INTEGRATED COLUMN FLUSH INSTALLATION

24-INCH INTEGRATED COLUMN FREEZER

CUTOUT DIMENSIONS – FLUSH INSTALLATION

SINGLE COLUMN



*A minimum 4" (102 mm) finished return that matches the cabinet exterior is recommended on all sides and the top of the cutout opening. The shaded area will be visible after installation.

Notes

Freezer can be installed flush with 3/4" custom panel or optional stainless steel panel kit.

With a 25" (635 mm) cutout depth, the front face of the freezer fits flush with 25" (635 mm) depth adjacent cabinets.

Electrical

A 115V, 60Hz., 15 amp power supply is required. An individual properly grounded branch circuit or circuit breaker is recommended. Install a properly grounded 3-prong electrical receptacle recessed into the back wall. Electrical must be located on rear wall as shown.

Note: GFI (ground fault interrupter) is not recommended.

Water Line

A cold water supply is required for automatic icemaker operation. Water pressure must be between 20 and 120 p.s.i.

Tubing should be long enough to extend to the front of the freezer. Allow enough tubing to accommodate a bend leading into the water line connection.

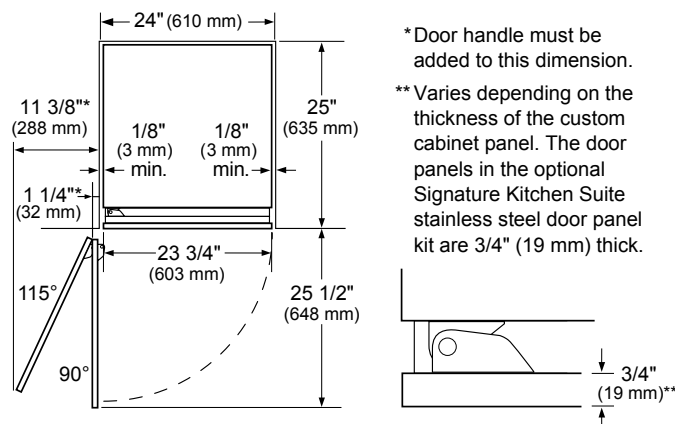
Water line can enter an opening through floor or back wall.

Install a shut-off valve between the icemaker water valve and cold water supply in the home.

24-INCH INTEGRATED COLUMN FREEZER

INSTALLATION CLEARANCES – FLUSH INSTALLATION

TOP VIEW



*Door handle must be added to this dimension.

**Varies depending on the thickness of the custom cabinet panel. The door panels in the optional Signature Kitchen Suite stainless steel door panel kit are 3/4" (19 mm) thick.

Notes

Door Swing Clearances – The installation must allow for clearances to adjacent walls or cabinets. This freezer is equipped with a 2-position door stop. The factory-set 115° door swing can be adjusted to 90° if clearance to adjacent cabinets or walls is restricted.

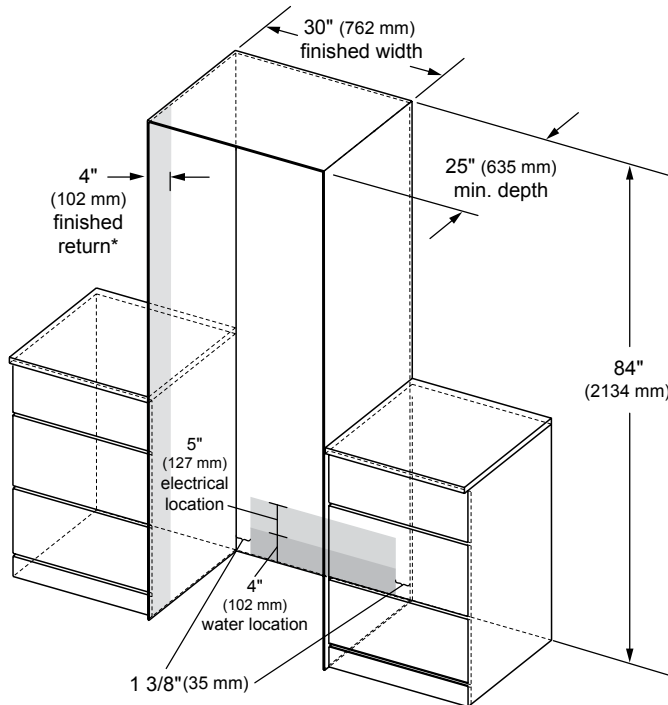
Door Handle Clearances – The Door Handle depth must be added to the dimension noted to determine the total clearances required from adjacent cabinets or walls. This clearance will vary depending on the custom handle used. When using the Stainless Steel Door Panel Kit w/Handle or the Brushed Aluminum Handle (optional accessories), the door handle clearance with door open 115° is 14" (356 mm).

INTEGRATED COLUMN FLUSH INSTALLATION

30-INCH INTEGRATED COLUMN FREEZER

CUTOUT DIMENSIONS – FLUSH INSTALLATION

SINGLE COLUMN



*A minimum 4" (102 mm) finished return that matches the cabinet exterior is recommended on all sides and the top of the cutout opening. The shaded area will be visible after installation.

Notes

Freezer can be installed flush with 3/4" custom panel or optional stainless steel panel kit.

With a 25" (635 mm) cutout depth, the front face of the freezer fits flush with 25" (635 mm) depth adjacent cabinets.

Electrical

A 115V, 60Hz., 15 amp power supply is required. An individual properly grounded branch circuit or circuit breaker is recommended. Install a properly grounded 3-prong electrical receptacle recessed into the back wall. Electrical must be located on rear wall as shown.

Note: GFI (ground fault interrupter) is not recommended.

Water Line

A cold water supply is required for automatic icemaker operation. Water pressure must be between 20 and 120 p.s.i.

Tubing should be long enough to extend to the front of the freezer. Allow enough tubing to accommodate a bend leading into the water line connection.

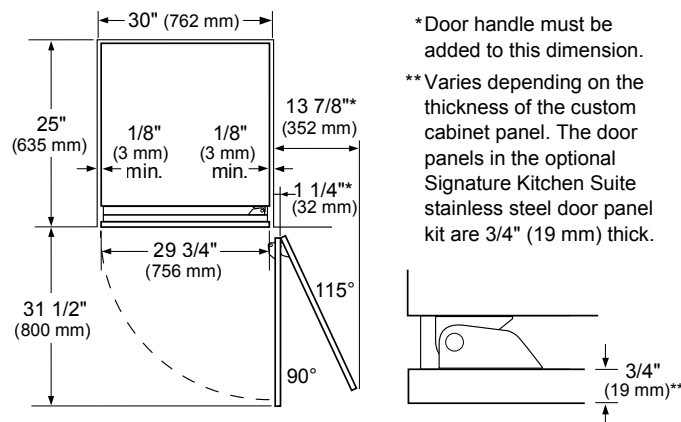
Water line can enter an opening through floor or back wall.

Install a shut-off valve between the icemaker water valve and cold water supply in the home.

30-INCH INTEGRATED COLUMN FREEZER

INSTALLATION CLEARANCES – FLUSH INSTALLATION

TOP VIEW



*Door handle must be added to this dimension.

**Varies depending on the thickness of the custom cabinet panel. The door panels in the optional Signature Kitchen Suite stainless steel door panel kit are 3/4" (19 mm) thick.

Notes

Door Swing Clearances – The installation must allow for clearances to adjacent walls or cabinets. This freezer is equipped with a 2-position door stop. The factory-set 115° door swing can be adjusted to 90° if clearance to adjacent cabinets or walls is restricted.

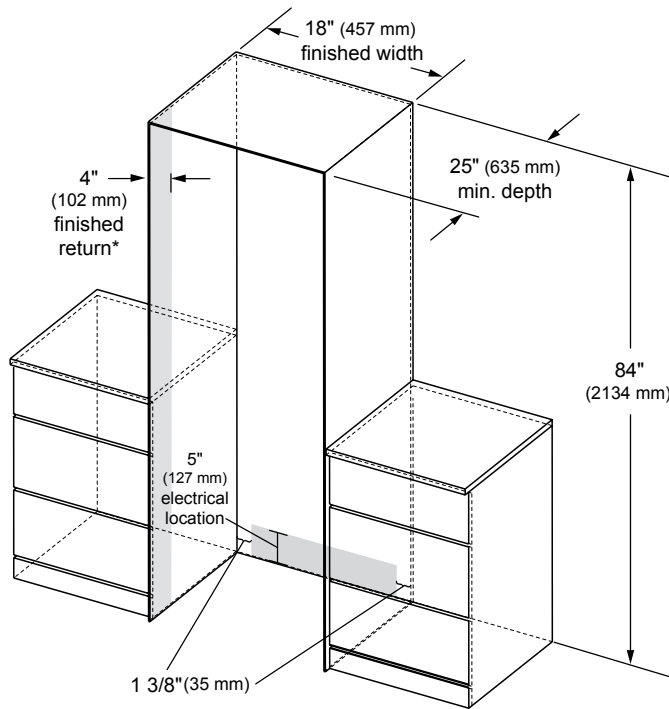
Door Handle Clearances – The Door Handle depth must be added to the dimension noted to determine the total clearances required from adjacent cabinets or walls. This clearance will vary depending on the custom handle used. When using the Stainless Steel Door Panel Kit w/Handle or the Brushed Aluminum Handle (optional accessories), the door handle clearance with door open 115° is 16" (406 mm).

INTEGRATED COLUMN FLUSH INSTALLATION

18-INCH INTEGRATED COLUMN WINE REFRIGERATOR

CUTOUT DIMENSIONS – FLUSH INSTALLATION

SINGLE COLUMN



*A minimum 4" (102 mm) finished return that matches the cabinet exterior is recommended on all sides and the top of the cutout opening. The shaded area will be visible after installation.

Notes

Wine refrigerator can be installed flush with 3/4" custom panel or optional stainless steel panel kit.

With a 25" (635 mm) cutout depth, the front face of the wine refrigerator fits flush with 25" (635 mm) depth adjacent cabinets.

Electrical

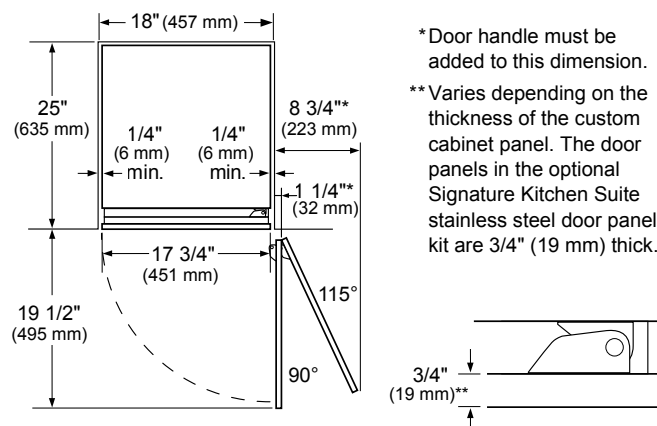
A 115V, 60Hz., 15 amp power supply is required. An individual properly grounded branch circuit or circuit breaker is recommended. Install a properly grounded 3-prong electrical receptacle recessed into the back wall. Electrical must be located on rear wall as shown.

Note: GFI (ground fault interrupter) is not recommended.

18-INCH INTEGRATED COLUMN WINE REFRIGERATOR

INSTALLATION CLEARANCES – FLUSH INSTALLATION

TOP VIEW



*Door handle must be added to this dimension.

**Varies depending on the thickness of the custom cabinet panel. The door panels in the optional Signature Kitchen Suite stainless steel door panel kit are 3/4" (19 mm) thick.

Notes

Door Swing Clearances – The installation must allow for clearances to adjacent walls or cabinets. This wine refrigerator is equipped with a 2-position door stop. The factory-set 115° door swing can be adjusted to 90° if clearance to adjacent cabinets or walls is restricted.

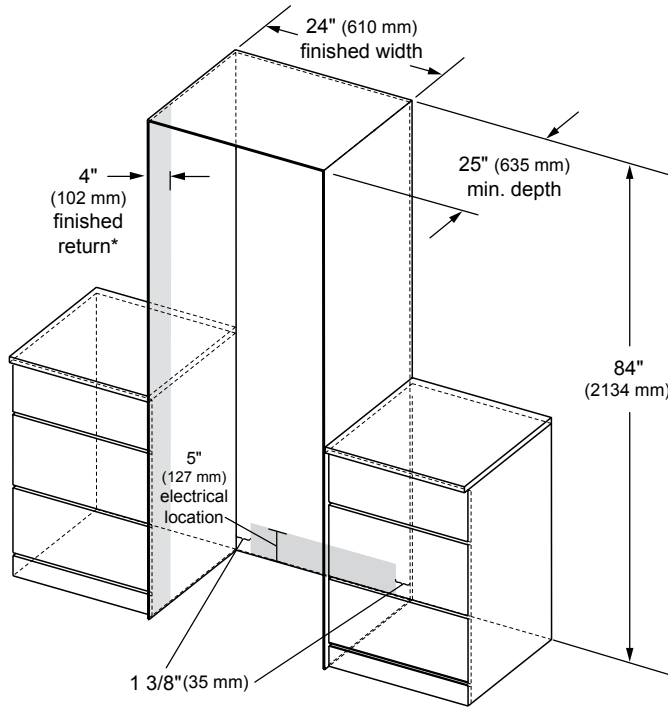
Door Handle Clearances – The Door Handle depth must be added to the dimension noted to determine the total clearances required from adjacent cabinets or walls. This clearance will vary depending on the custom handle used. When using the Stainless Steel Door Panel Kit w/Handle or the Brushed Aluminum Handle (optional accessories), the door handle clearance with door open 115° is 11" (279 mm).

INTEGRATED COLUMN FLUSH INSTALLATION

24-INCH INTEGRATED COLUMN WINE REFRIGERATOR

CUTOUT DIMENSIONS – FLUSH INSTALLATION

SINGLE COLUMN



* A minimum 4" (102 mm) finished return that matches the cabinet exterior is recommended on all sides and the top of the cutout opening. The shaded area will be visible after installation.

Notes

Wine refrigerator can be installed flush with 3/4" custom panel or optional stainless steel panel kit.

With a 25" (635 mm) cutout depth, the front face of the wine refrigerator fits flush with 25" (635 mm) depth adjacent cabinets.

Electrical

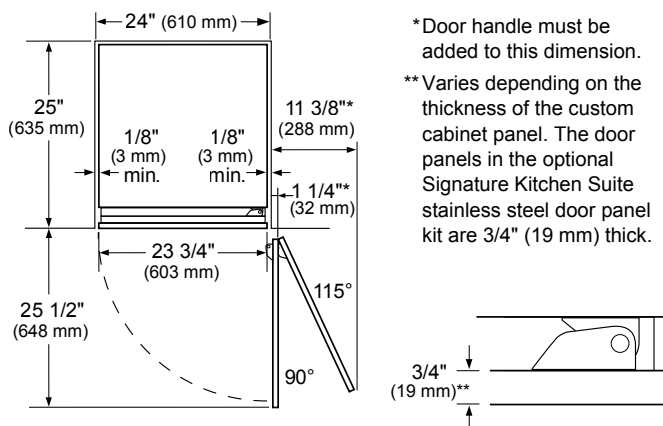
A 115V, 60Hz., 15 amp power supply is required. An individual properly grounded branch circuit or circuit breaker is recommended. Install a properly grounded 3-prong electrical receptacle recessed into the back wall. Electrical must be located on rear wall as shown.

Note: GFI (ground fault interrupter) is not recommended.

24-INCH INTEGRATED COLUMN WINE REFRIGERATOR

INSTALLATION CLEARANCES – FLUSH INSTALLATION

TOP VIEW



* Door handle must be added to this dimension.

** Varies depending on the thickness of the custom cabinet panel. The door panels in the optional Signature Kitchen Suite stainless steel door panel kit are 3/4" (19 mm) thick.

Notes

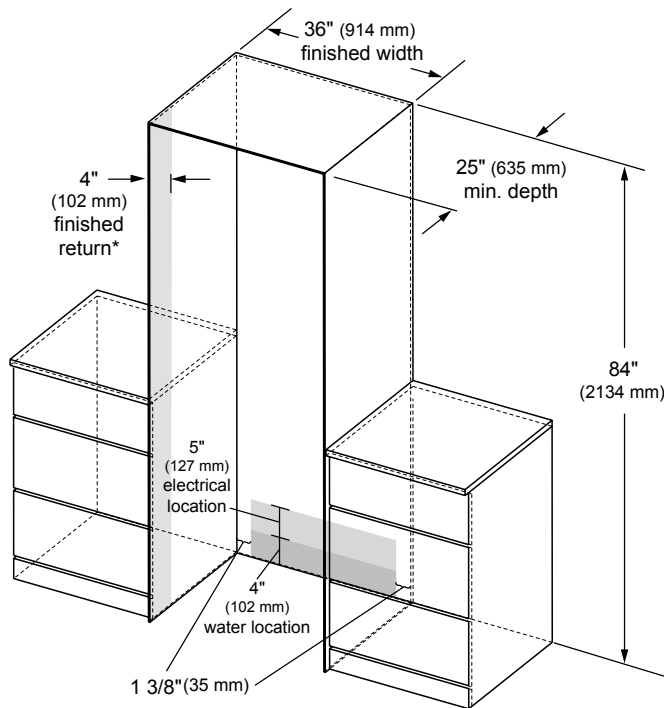
Door Swing Clearances – The installation must allow for clearances to adjacent walls or cabinets. This wine refrigerator is equipped with a 2-position door stop. The factory-set 115° door swing can be adjusted to 90° if clearance to adjacent cabinets or walls is restricted.

Door Handle Clearances – The Door Handle depth must be added to the dimension noted to determine the total clearances required from adjacent cabinets or walls. This clearance will vary depending on the custom handle used. When using the Stainless Steel Door Panel Kit w/Handle or the Brushed Aluminum Handle (optional accessories), the door handle clearance with door open 115° is 14" (356 mm).

BUILT-IN FRENCH DOOR REFRIGERATOR FLUSH INSTALLATION

36-INCH BUILT-IN FRENCH DOOR REFRIGERATOR

CUTOUT DIMENSIONS – FLUSH INSTALLATION



*A minimum 4" (102 mm) finished return that matches the cabinet exterior is recommended on all sides and the top of the cutout opening. The shaded area will be visible after installation.

Notes

Refrigerator can be installed flush with 3/4" custom panel or optional stainless steel panel kit.

With a 25" (635 mm) cutout depth, the front face of the refrigerator fits flush with 25" (635 mm) depth adjacent cabinets.

Electrical

A 115V, 60Hz., 15 amp power supply is required. An individual properly grounded branch circuit or circuit breaker is recommended. Install a properly grounded 3-prong electrical receptacle recessed into the back wall. Electrical must be located on rear wall as shown.

Note: GFI (ground fault interrupter) is not recommended.

Water Line

A cold water supply is required for automatic icemaker operation. Water pressure must be between 20 and 120 p.s.i.

Tubing should be long enough to extend to the front of the refrigerator. Allow enough tubing to accommodate a bend leading into the water line connection.

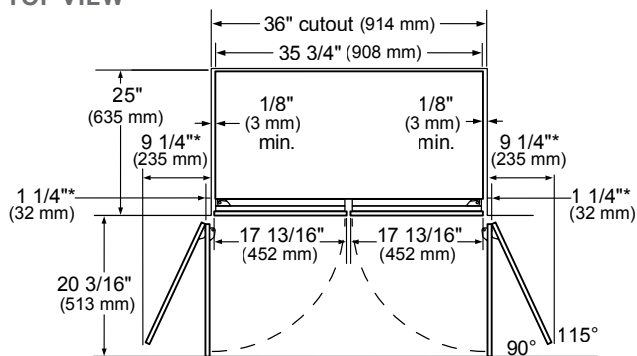
Water line can enter an opening through floor or back wall.

Install a shut-off valve between the icemaker water valve and cold water supply in the home.

36-INCH BUILT-IN FRENCH DOOR REFRIGERATOR

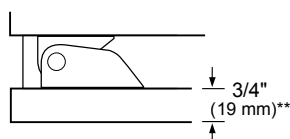
INSTALLATION CLEARANCES – FLUSH INSTALLATION

TOP VIEW



* Door handle must be added to this dimension.

**Varies depending on the thickness of the custom cabinet panel. 3/4" (19 mm) is relevant when using the Stainless Steel Door Panel Kit (optional accessory).



Notes

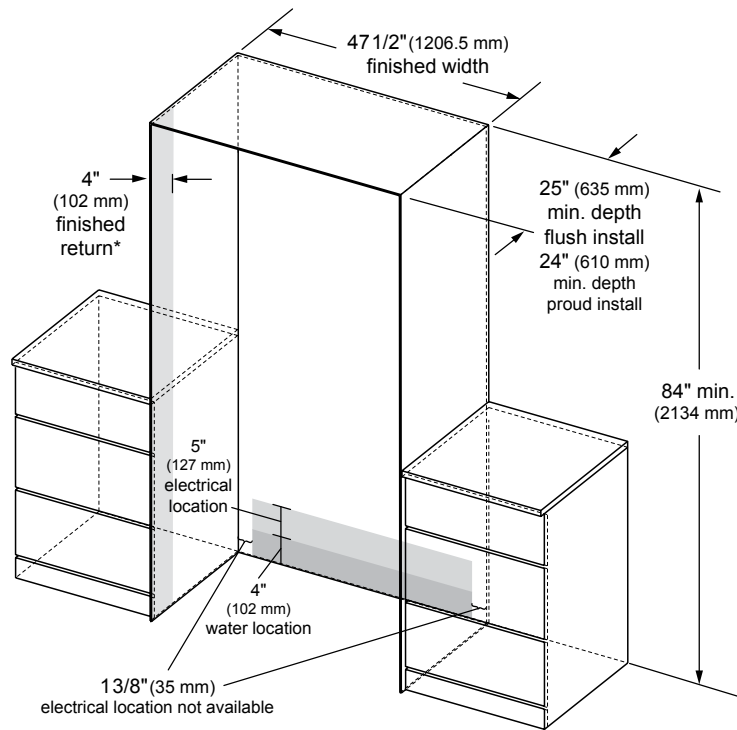
Door Swing Clearances – The installation must allow for clearances to adjacent walls or cabinets. This refrigerator is equipped with a 2-position door stop. The factory-set 115° door swing can be adjusted to 90° if clearance to adjacent cabinets or walls is restricted.

Door Handle Clearances – The Door Handle depth must be added to the dimension noted to determine the total clearances required from adjacent cabinets or walls. This clearance will vary depending on the custom handle used. When using the Stainless Steel Door Panel Kit w/ Handles or the Brushed Aluminum Handles (optional accessories), the door handle clearance with door open 115° is 12" (305 mm).

BUILT-IN FRENCH DOOR REFRIGERATOR FLUSH INSTALLATION

48-INCH BUILT-IN FRENCH DOOR REFRIGERATOR

CUTOUT DIMENSIONS – FLUSH INSTALLATION



* A minimum 4" (102 mm) finished return that matches the cabinet exterior is recommended on all sides and the top of the cutout opening. The shaded area will be visible after installation.

Notes

Refrigerator can be installed flush with 3/4" custom panel or optional stainless steel panel kit. With a 25" (635 mm) cutout depth, the front face of the refrigerator fits flush with 25" (635 mm) depth adjacent cabinets.

Electrical

A 115V, 60Hz., 15 amp power supply is required. An individual properly grounded branch circuit or circuit breaker is recommended. Install a properly grounded 3-prong electrical receptacle recessed into the back wall. Electrical must be located on rear wall as shown.

Note: GFI (ground fault interrupter) is not recommended.

Water Line

A cold water supply is required for automatic icemaker operation. Water pressure must be between 20 and 120 p.s.i.

Tubing should be long enough to extend to the front of the refrigerator. Allow enough tubing to accommodate a bend leading into the water line connection.

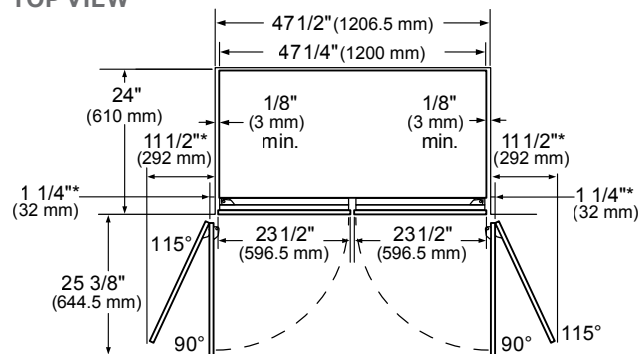
Water line can enter an opening through floor or back wall.

Install a shut-off valve between the icemaker water valve and cold water supply in the home.

48-INCH BUILT-IN FRENCH DOOR REFRIGERATOR

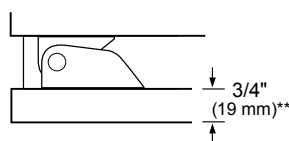
INSTALLATION CLEARANCES – FLUSH INSTALLATION

TOP VIEW



* Door handle must be added to this dimension.

** Varies depending on the thickness of the custom cabinet panel. 3/4" (19 mm) is relevant when using the Stainless Steel Door Panel Kit (optional accessory).



Notes

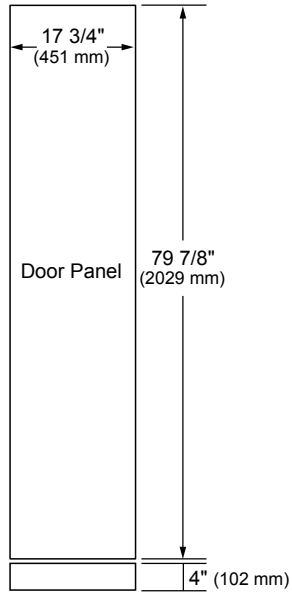
Door Swing Clearances – The installation must allow for clearances to adjacent walls or cabinets. This refrigerator is equipped with a 2-position door stop. The factory-set 115° door swing can be adjusted to 90° if clearance to adjacent cabinets or walls is restricted.

Door Handle Clearances – The Door Handle depth must be added to the dimension noted to determine the total clearances required from adjacent cabinets or walls. This clearance will vary depending on the custom handle used. When using the Stainless Steel Door Panel Kit w/Handles or the Brushed Aluminum Handles (optional accessories), the door handle clearance with door open 115° is 12" (305 mm).

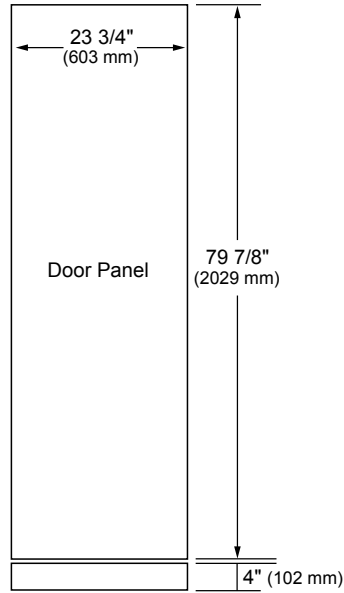
INTEGRATED COLUMN FLUSH INSTALLATION

CUSTOM PANEL DIMENSIONS

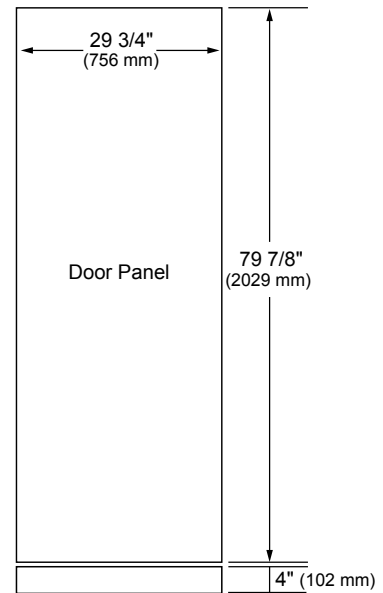
**18-INCH INTEGRATED
COLUMN FREEZER**



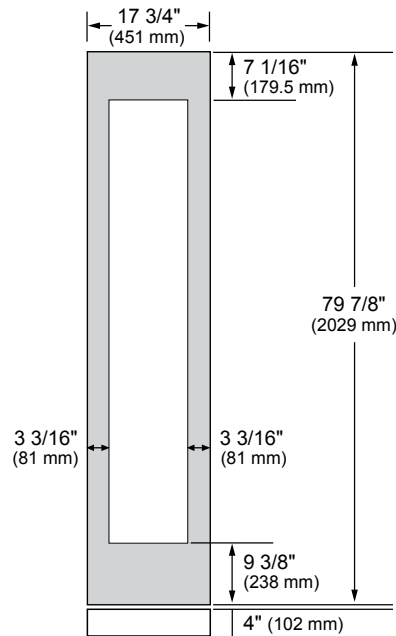
**24-INCH INTEGRATED COLUMN
REFRIGERATOR AND FREEZER**



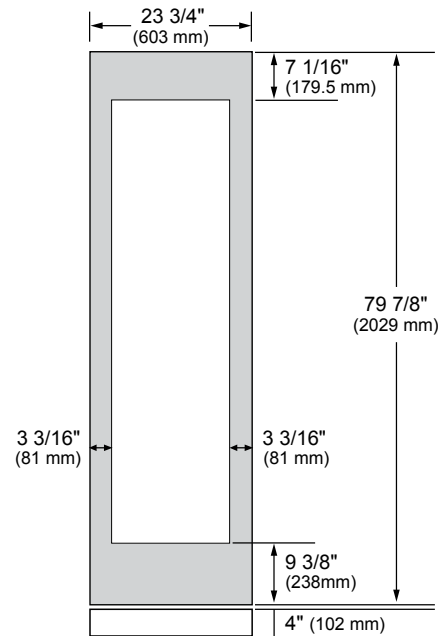
**30-INCH INTEGRATED COLUMN
REFRIGERATOR AND FREEZER**



**18-INCH INTEGRATED COLUMN
WINE REFRIGERATOR**



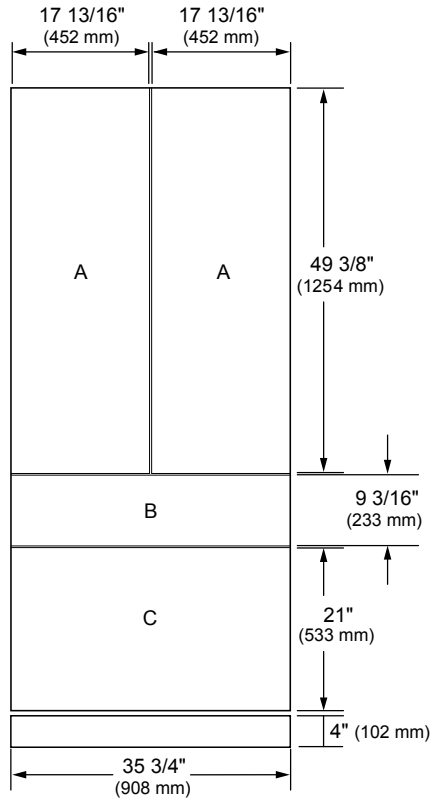
**24-INCH INTEGRATED COLUMN
WINE REFRIGERATOR**



BUILT-IN FRENCH DOOR REFRIGERATOR FLUSH INSTALLATION

36-INCH BUILT-IN FRENCH DOOR REFRIGERATOR

CUSTOM PANEL DIMENSIONS



Notes

These units are designed to be customized with decorative panels. Field-installed custom door panels or an optional Stainless Steel Panel Kit is required.

For Custom Panels: Use templates provided with units to pre-drill holes for mounting panel brackets (provided with unit). Adjustment screws and instructions also provided with units.

Maximum Panel Weight:

- A – Fresh food door panels: 33 lbs.
- B – Convertible drawer panel: 22 lbs.
- C – Freezer drawer panel: 33 lbs.

Design Tips

4" (102 mm) will be visible on the interior sides of the furniture return. It is recommended that both sides of each cutout panel be finished to match the cabinet exterior.

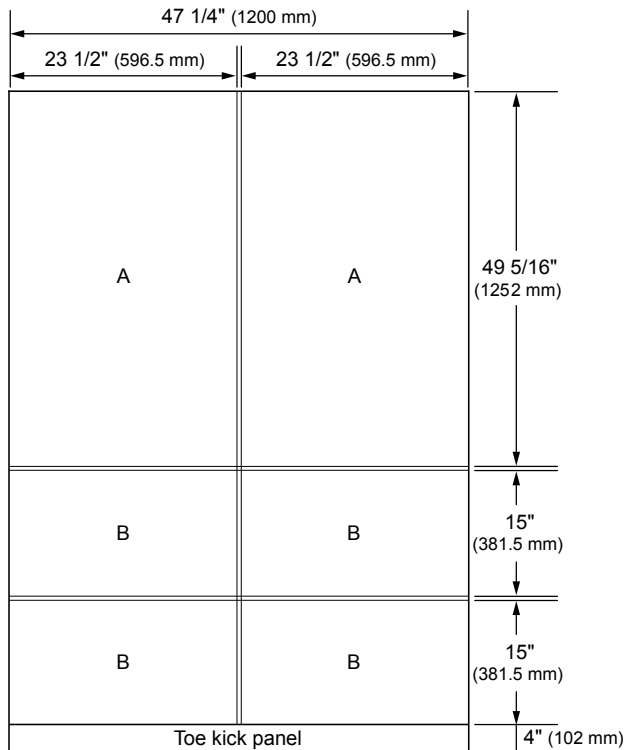
If using custom panels, a custom toe kick is required. The bottom of case is unfinished.

Door Handles: Handles are not included with the refrigerator. Custom handles are required for installation. Brushed Aluminum Handles are available as an optional accessory.

BUILT-IN FRENCH DOOR REFRIGERATOR FLUSH INSTALLATION

48-INCH BUILT-IN FRENCH DOOR REFRIGERATOR

CUSTOM PANEL DIMENSIONS



Notes

These units are designed to be customized with decorative panels. Field-installed custom door panels or an optional Stainless Steel Panel Kit is required.

For Custom Panels: Use templates provided with units to pre-drill holes for mounting panel brackets (provided with unit). Adjustment screws and instructions also provided with units.

Maximum Panel Weight:

A – Fresh food door panels: 33 lbs.

B – Drawer panels: 14 lbs.

Design Tips

4" (102 mm) will be visible on the interior sides of the furniture return. It is recommended that both sides of each cutout panel be finished to match the cabinet exterior.

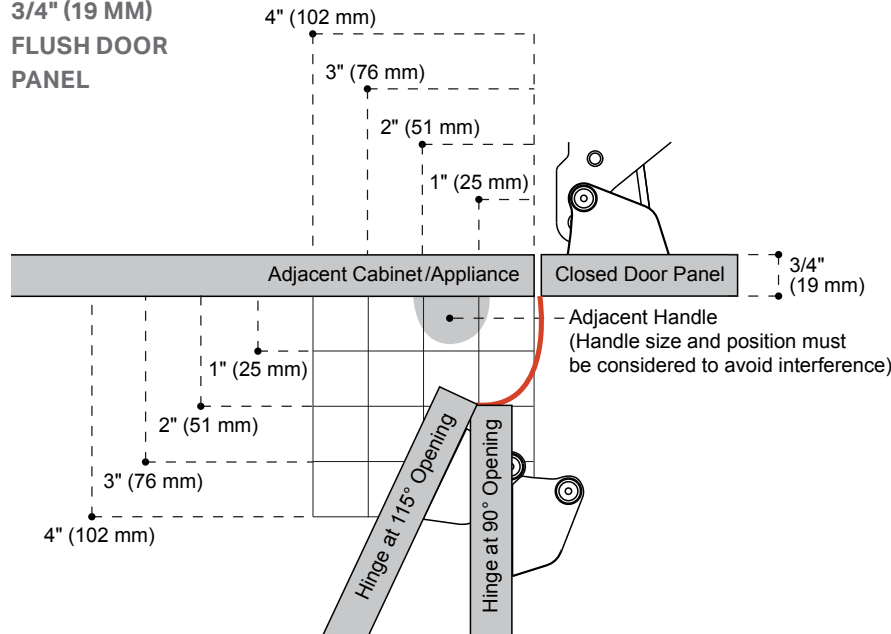
If using custom panels, a custom toe kick is required. The bottom of case is unfinished.

Door Handles: Handles are not included with the refrigerator. Custom handles are required for installation. Brushed Aluminum Handles are available as an optional accessory.

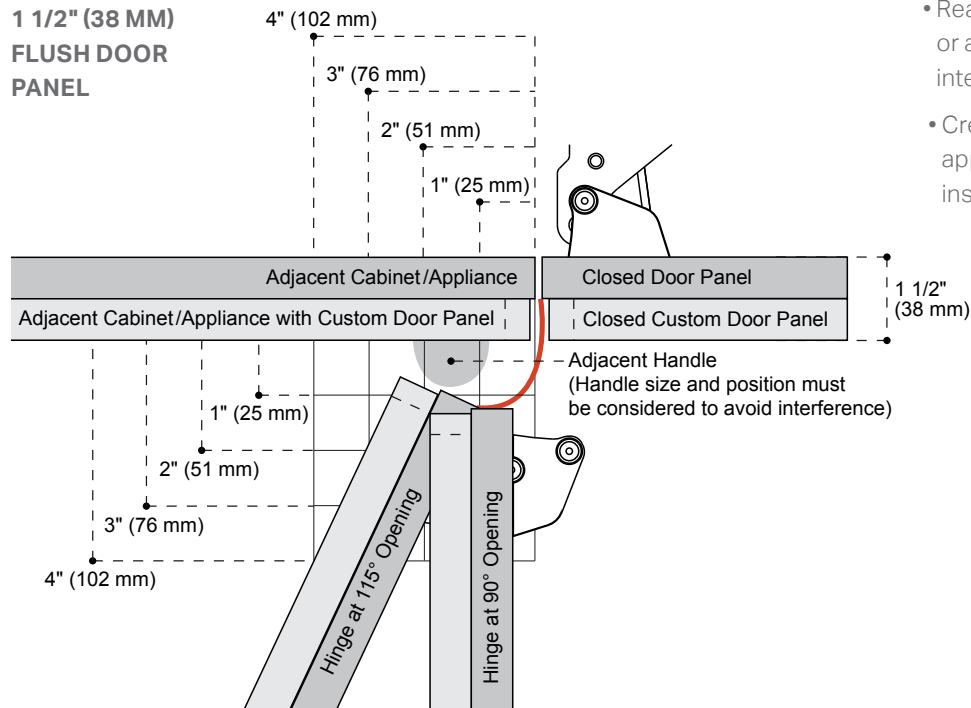
INTEGRATED COLUMN FLUSH INSTALLATION

DOOR SWING DIMENSIONS

3/4" (19 MM) FLUSH DOOR PANEL



1 1/2" (38 MM) FLUSH DOOR PANEL



Notes

The installation must allow for proper clearances to adjacent appliances, walls or cabinets. There should be no interference when doors are opened.

The space needed for the hinge and the distance to the adjacent cabinetry and its handle is shown with both 3/4" (19 mm) and 1 1/2" (38 mm) thick door panels.

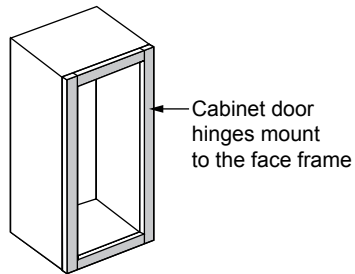
If interference is an issue, the following solutions can be considered:

- Limit the door swing angle to 90° with a door stop pin inserted into the hinge.
- Install a spacer between the appliance and the opposing element that creates the interference.
- If the door panel thickness is larger than 3/4" (19mm), consider reducing it.
- Rearrange surrounding cabinetry or appliances to eliminate the interference.
- Create a protruding cutout for the appliance (see page 6 for "retrofit" installation).

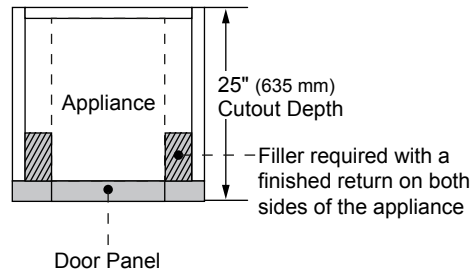
INTEGRATED COLUMN FLUSH INSTALLATION

CABINETRY PLANNING

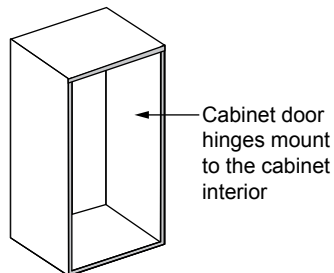
FRAMED CABINET (NORTH AMERICA)



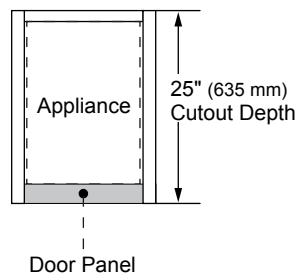
FLUSH INSET



FRAMELESS CABINET (EUROPEAN)



FLUSH INSET



CUSTOM PANEL PLANNING

Notes

These units are designed to be customized with decorative panels. Field-installed custom door panels or an optional Stainless Steel Panel Kit is required.

For Custom Panels: Use templates provided with units to pre-drill holes for mounting panel brackets (provided with unit). Adjustment screws and instructions also provided with units.

Maximum Total Door Panel Weights:

30-Inch Integrated Column – 64 lbs.

24-Inch Integrated Column – 53 lbs.

18-Inch Integrated Column – 44 lbs

Design Tips

4" (102 mm) will be visible on the interior sides of the furniture return. It is recommended that both sides of each cutout panel be finished to match the cabinet exterior.

If using custom panels, a custom toe kick is required. The bottom of case is unfinished.

Door Handles: Handles are not included with the units. Custom handles are required for installation. Brushed Aluminum Handles are available as an optional accessory.

Notes

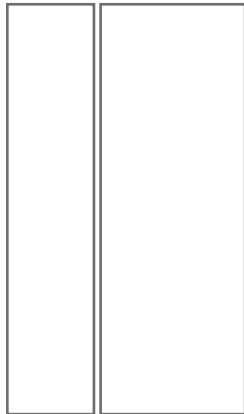
Integrated column appliances are designed to accommodate nearly any type of cabinetry door installation. The required cutout depth depends on the desired cabinetry and custom panel execution, whether North American styles that feature a face frame or European styles that are frameless.

INTEGRATED COLUMN COMBINATIONS

PROUD OR FLUSH INSTALLATION

With nearly limitless configurations, every integrated column features an intelligent, symmetrical design that allows for proud or flush installation, along with easy door reversal.

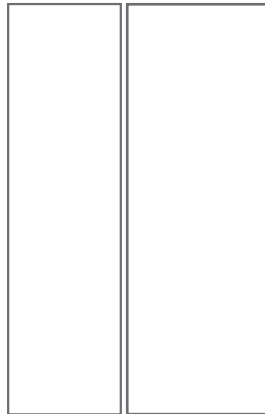
DUAL 18-INCH AND 30-INCH INTEGRATED COLUMNS



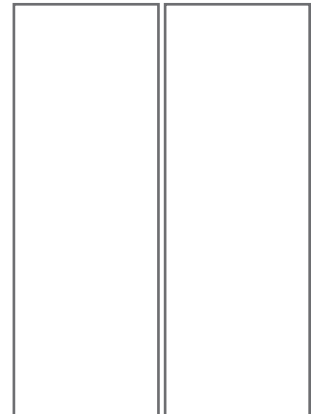
Signature Fit™ Integrated Design

Paired together, the 30-inch Integrated Column Refrigerator and 18-inch Integrated Column Freezer cleanly fit a 48-inch opening or a 47.5-inch opening—perfect for both new construction and replacement applications.

DUAL 24-INCH AND 30-INCH INTEGRATED COLUMNS



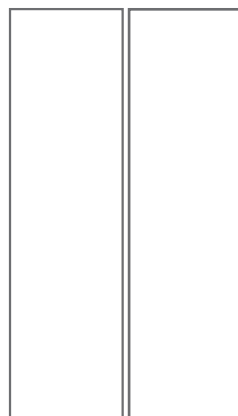
DUAL 30-INCH AND 30-INCH INTEGRATED COLUMNS



DUAL 18-INCH AND 24-INCH INTEGRATED COLUMNS



DUAL 24-INCH AND 24-INCH INTEGRATED COLUMNS



INTEGRATED COLUMN COMBINATIONS

FLUSH INSTALLATION

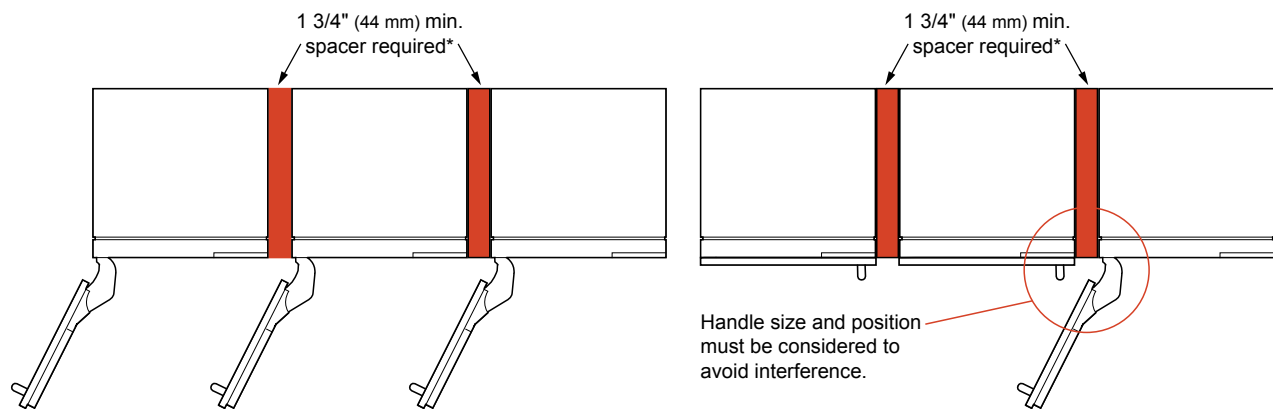
INSTALLATION PLANNING - MULTIPLE COLUMNS

Integrated columns can be combined in cutout widths of 42", 48", 54" and 60".

- The SKSFJ800P Joining Kit is required between units (kit included with all freezer columns.)
- Reference the cutout dimensions for each column for detailed dimensions.
- A minimum 15 amp (115V, 60Hz) power supply is required for each individual column.
- A cold water supply is required for water dispenser and automatic icemaker operation for each applicable column.

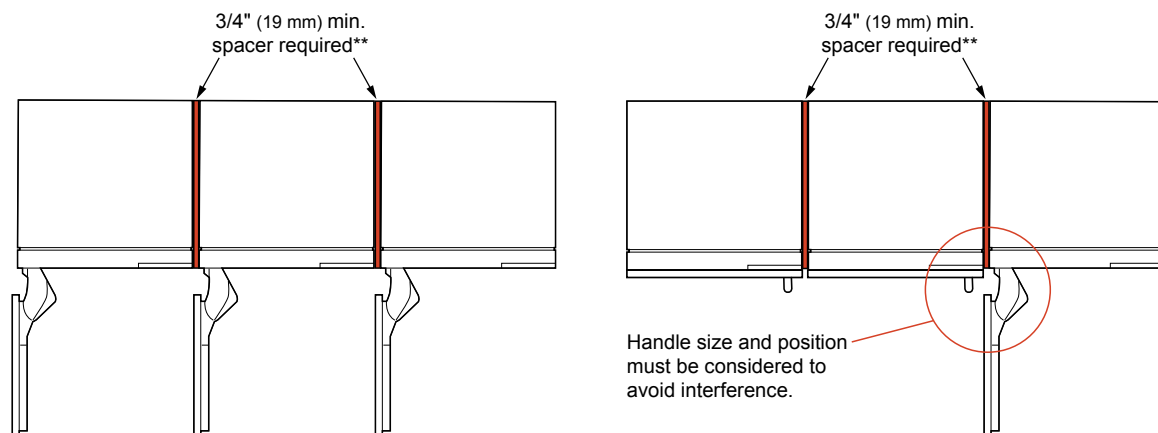
INSTALLATION CLEARANCES – MULTIPLE COLUMNS WITH SAME DOOR SWING (HANDLE TO HINGE)

TOP VIEW – DOOR OPEN 115° HANDLE TO HINGE



*When using the Stainless Steel Door Panel Kit w/Handle or 3/4" (19 mm) custom panels with our optional Brushed Aluminum Handle, a minimum spacer of 1 3/4" (44 mm) between units is required to open each door 115° without interference.

TOP VIEW – DOOR OPEN 90° HANDLE TO HINGE



**When using the Stainless Steel Door Panel Kit w/Handle or 3/4" (19 mm) custom panels with our optional Brushed Aluminum Handle, a minimum spacer of 3/4" (19 mm) between units is required to open each door 90° without interference.

Notes

When installing multiple columns in a flush installation with the same door swing (handle to hinge), considerations must be made to avoid door swing interference. The examples shown assume a 3/4" panel and the Signature Kitchen Suite handle.

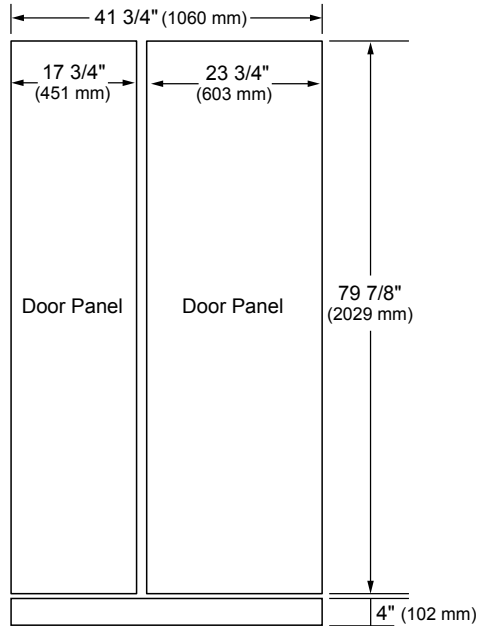
Door panel thickness, handle size / position and door swing range should always be considered when determining the size of the spacer in any installation. See page 6 for details on door swing dimensions for proper planning.

INTEGRATED COLUMN COMBINATIONS

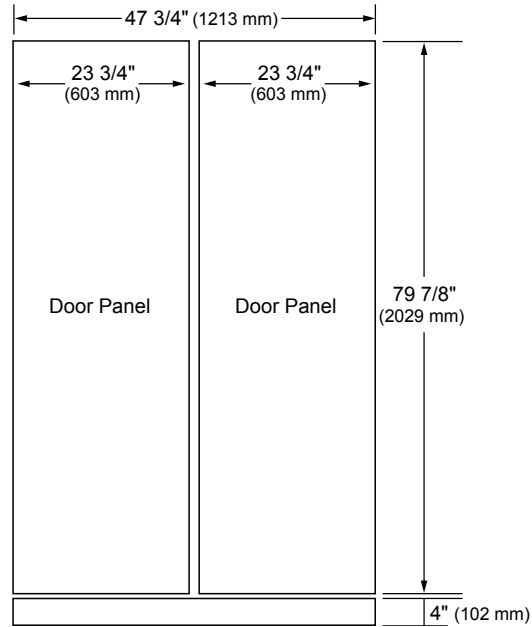
FLUSH INSTALLATION

CUSTOM PANEL DIMENSIONS FOR MULTIPLE COLUMNS

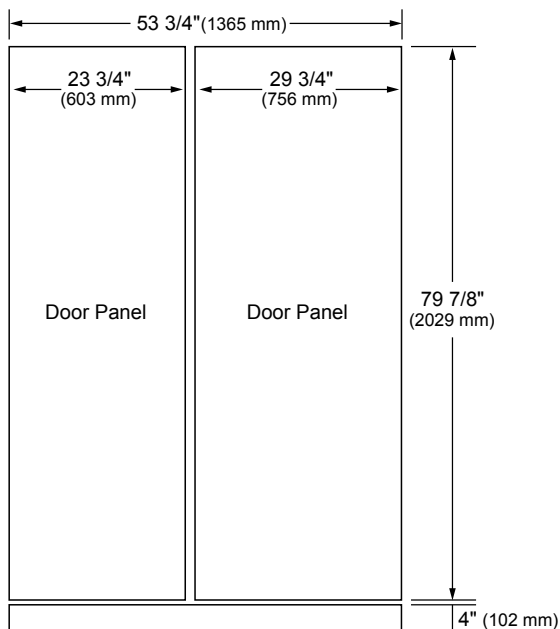
DUAL 18-INCH AND 24-INCH INTEGRATED COLUMNS



DUAL 24-INCH AND 24-INCH INTEGRATED COLUMNS



DUAL 24-INCH AND 30-INCH INTEGRATED COLUMNS



Notes

These units are designed to be customized with decorative panels. Field-installed custom door panels or an optional Stainless Steel Panel Kit is required.

For Custom Panels: Use templates provided with units to pre-drill holes for mounting panel brackets (provided with unit). Adjustment screws and instructions also provided with units.

Maximum Total Door Panel Weights:
 30-Inch Integrated Column – 64 lbs.
 24-Inch Integrated Column – 53 lbs.
 18-Inch Integrated Column – 44 lbs.

Design Tips

4" (102 mm) will be visible on the interior sides of the furniture return. It is recommended that both sides of each cutout panel be finished to match the cabinet exterior.

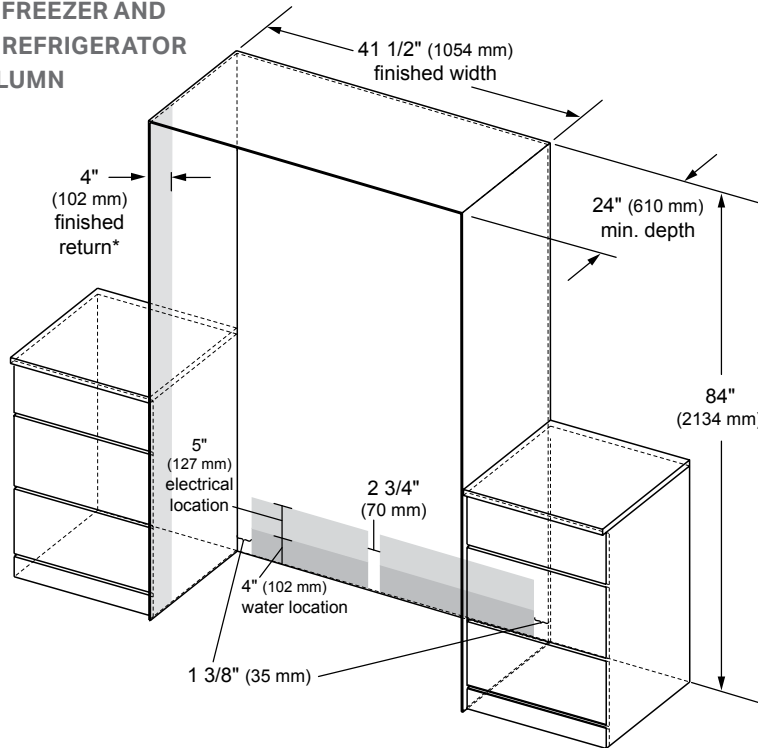
If using custom panels, a custom toe kick is required. The bottom of case is unfinished.

Door Handles: Handles are not included with the units. Custom handles are required for installation. Brushed Aluminum Handles are available as an optional accessory.

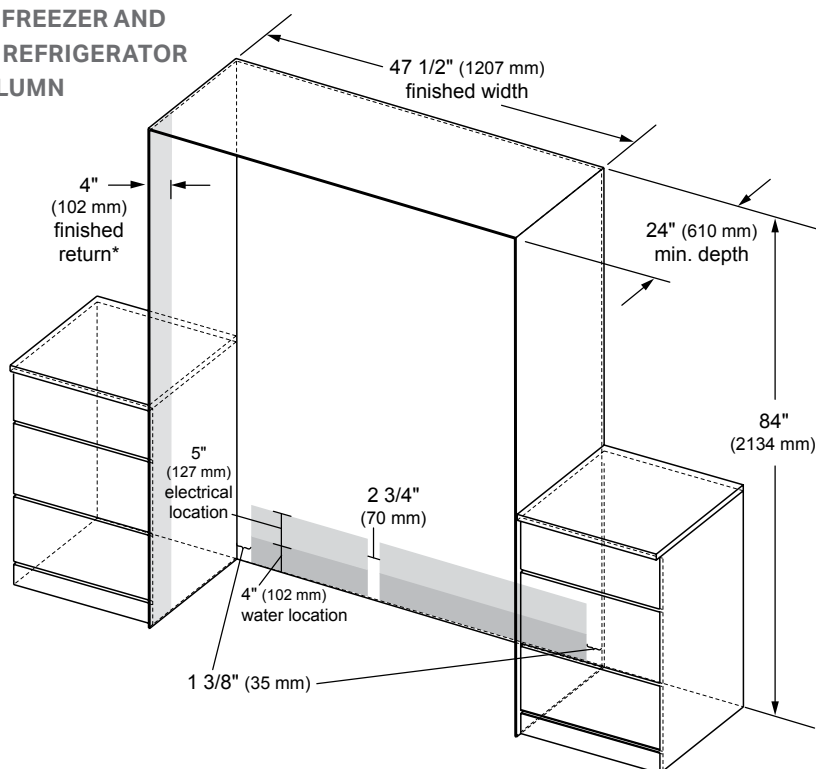
INTEGRATED COLUMN RETROFIT INSTALLATION

CUTOUT DIMENSIONS – RETROFIT INSTALLATION

18" FREEZER AND 24" REFRIGERATOR COLUMN



18" FREEZER AND 30" REFRIGERATOR COLUMN



Notes

The 18" integrated column freezer has an actual width of 17 1/2" (445 mm) to accommodate a retrofit installation. This will allow you to combine the 18" freezer column with a 24" refrigerator column in a 41 1/2" (1054 mm) cutout or with a 30" refrigerator column in a 47 1/2" (1207 mm) cutout.

Electrical

A minimum 15 amp (115V, 60Hz) power supply is required for each individual column. An individual properly grounded branch circuit or circuit breaker is recommended. Install a properly grounded 3-prong electrical receptacle recessed into the back wall. Electrical must be located on rear wall as shown.

Note: GFI (ground fault interrupter) is not recommended.

Water Line

A cold water supply is required for water dispenser and automatic icemaker operation for each individual column. Water pressure must be between 20 and 120 p.s.i.

Tubing should be long enough to extend to the front of the unit. Allow enough tubing to accommodate a bend leading into the water line connection.

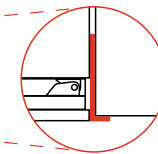
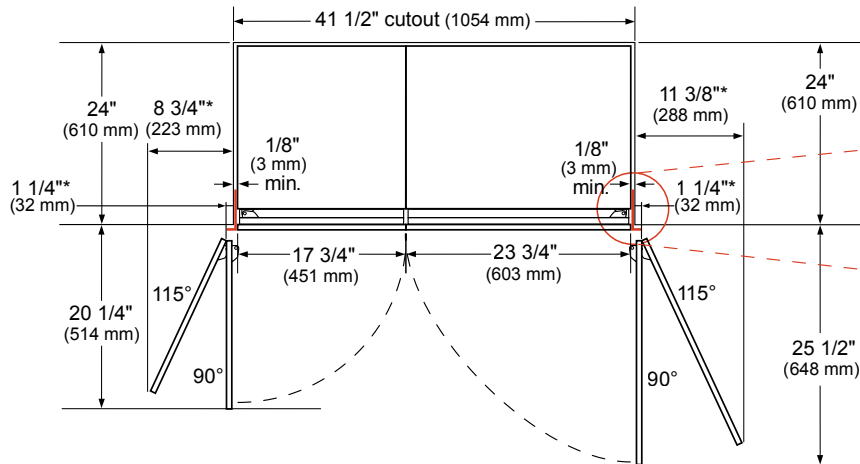
Water line can enter an opening through floor or back wall.

Install a shut-off valve between the icemaker water valve and cold water supply in the home.

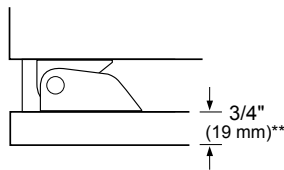
INTEGRATED COLUMN RETROFIT INSTALLATION

INSTALLATION CLEARANCES – RETROFIT INSTALLATION

TOP CUTOUT VIEW – 18-INCH INTEGRATED COLUMN FREEZER AND 24-INCH INTEGRATED COLUMN REFRIGERATOR



Optional Frame Kit SKSFK800CS can be installed for a finished look.



*Door handle must be added to this dimension.

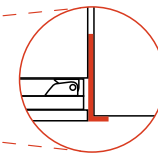
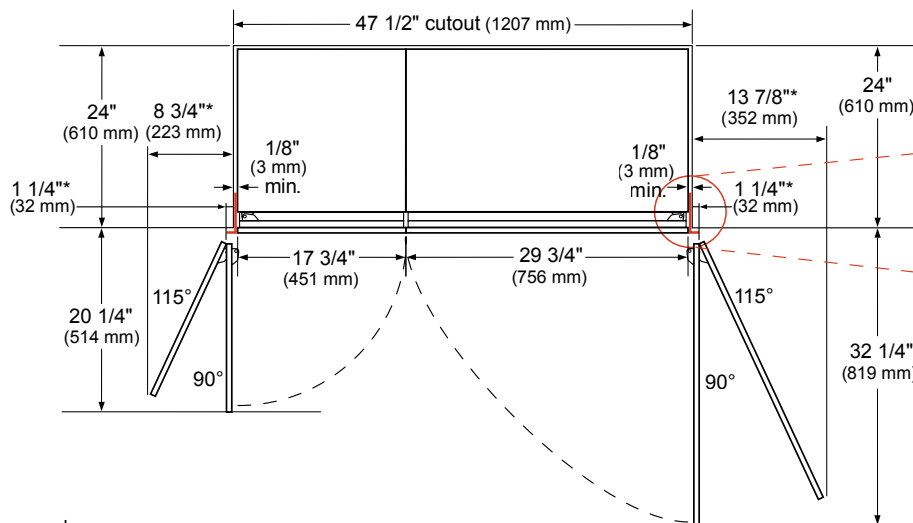
**Varies depending on the thickness of the custom cabinet panel. The door panels in the optional Signature Kitchen Suite stainless steel door panel kit are 3/4" (19 mm) thick.

Notes

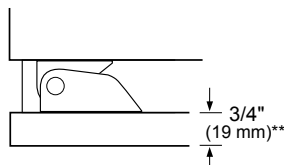
In retrofit installations where the cutout is only 24" (610 mm) deep, the front face of the unit extends approximately 3/4" (19 mm) beyond 24" (610 mm) depth adjacent cabinets for a proud appearance.

The unit can be installed with 3/4" custom panel or optional stainless steel panel kit. An optional Frame Kit is recommended for a finished look.

TOP CUTOUT VIEW – 18-INCH INTEGRATED COLUMN FREEZER AND 30-INCH INTEGRATED COLUMN REFRIGERATOR



Optional Frame Kit SKSFK800CS can be installed for a finished look.



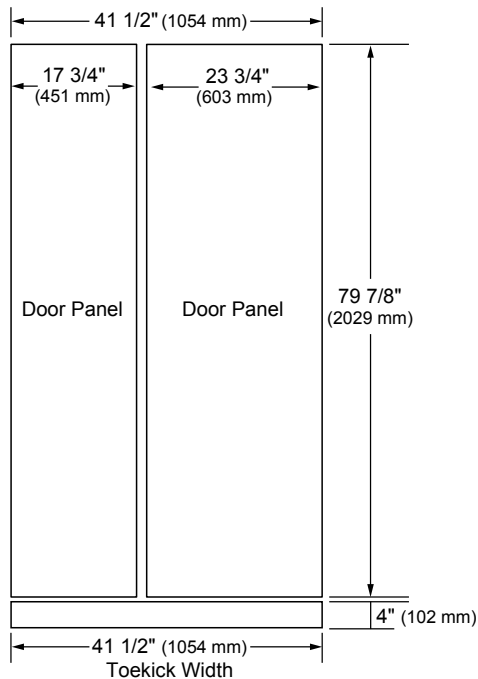
*Door handle must be added to this dimension.

**Varies depending on the thickness of the custom cabinet panel. The door panels in the optional Signature Kitchen Suite stainless steel door panel kit are 3/4" (19 mm) thick.

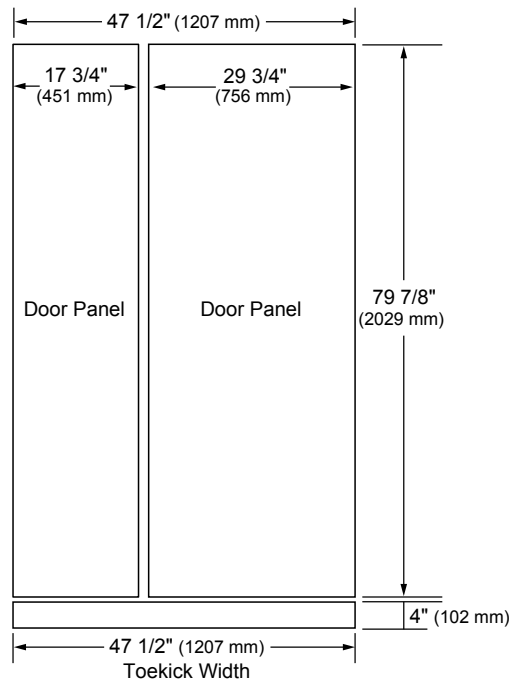
INTEGRATED COLUMN RETROFIT INSTALLATION

CUSTOM PANEL DIMENSIONS – RETROFIT INSTALLATION

DUAL 18-INCH AND 24-INCH INTEGRATED COLUMNS



DUAL 18-INCH AND 30-INCH INTEGRATED COLUMNS



Notes

These units are designed to be customized with decorative panels. Field-installed custom door panels or an optional Stainless Steel Panel Kit is required.

For Custom Panels: Use templates provided with units to pre-drill holes for mounting panel brackets (provided with unit). Adjustment screws and instructions also provided with units.

Maximum Total Door Panel Weights:
 30-Inch Integrated Column – 64 lbs.
 24-Inch Integrated Column – 53 lbs.
 18-Inch Integrated Column – 44 lbs.

Design Tips

4" (102 mm) will be visible on the interior sides of the furniture return. It is recommended that both sides of each cutout panel be finished to match the cabinet exterior.

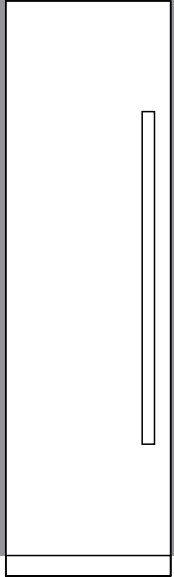
If using custom panels, a custom toe kick is required. The bottom of case is unfinished.

In retrofit installations where the cutout is 24" (610 mm) deep, the optional Frame Kit is recommended to provide a finished look.

Door Handles: Handles are not included with the units. Custom handles are required for installation. Brushed Aluminum Handles are available as an optional accessory.

INTEGRATED COLUMN RETROFIT INSTALLATION

OPTIONAL ACCESSORIES – RETROFIT INSTALLATION



SKSFK800CS – Frame Kit

All units can be installed in a 24" (610 mm) deep cutout with an optional frame kit. This kit includes two 80" (2032 mm) brushed aluminum side trim pieces. Each trim piece is 5" (127 mm) deep with a 1/8" (3 mm) front face.

SKSFJ800P - Joining Kit for Dual/Multiple Column Installation

This kit is required for installation when a wine column is installed with another wine column, refrigerator column or French door column. This kit is included with all freezer columns.

Design Tips

The Stainless Steel Panel Kit may be used in a retrofit 24" (610 mm) cutout depth installation.

For retrofit / replacement installations where the existing cutout is 24" (610 mm) deep, the optional frame kit is recommended.

INTEGRATED COLUMN AND BUILT-IN FRENCH DOOR ACCESSORIZE YOUR PANEL-READY UNIT



Featuring unique modular construction, built-in fresh food, freezer, bottom freezer and wine preservation columns are available in multiple widths ranging from 18-inch to 48-inch.

STEP 1

Choose your unit:
Refrigerator Column,
Freezer Column, French
Door Refrigerator or Wine
Refrigerator Column.



STEP 2

Choose your panel: Professional
Stainless Steel or Satin Stainless
Steel for a standout look, or custom
panel for seamless integration with
the rest of your cabinetry. (Our panel
kits include the handle.)



STEP 3

Choose a Professional / Transitional
handle or use your own handle for
custom panel installations. Add an
optional frame kit and joining kit for
dual / multiple column installation,
if needed.



INTEGRATED COLUMN AND BUILT-IN FRENCH DOOR

ACCESSORIZE YOUR PANEL-READY UNIT

STEP 1 CHOOSE YOUR UNIT	STEP 2 CHOOSE YOUR PANEL KIT* (SKIP IF YOU ARE INSTALLING CUSTOM PANELS)	STEP 3 OPTIONAL ACCESSORIES FOR PROUD OR FLUSH INSTALLATION
COLUMN REFRIGERATOR		
SKSCF3001P 30-Inch Reversible Door Swing, Panel-Ready	SKSPK305CS Professional Stainless Steel Panel Kit with Professional Handle SKSPK305CMT Satin Stainless Steel Panel Kit with Transitional Handle	Retrofit Frame Kit (Proud Installation) SKSFK800CS Frame Kit for installation in 24" (610 mm) deep cutout. See details below.
SKSCR2401P 24-Inch Reversible Door Swing, Panel-Ready	SKSPK245CS Professional Stainless Steel Panel Kit with Professional Handle SKSPK245CMT Satin Stainless Steel Panel Kit with Transitional Handle	
COLUMN FREEZER		
SKSCF3001P 30-Inch Reversible Door Swing, Panel-Ready	SKSPK305CS Professional Stainless Steel Panel Kit with Professional Handle SKSPK305CMT Satin Stainless Steel Panel Kit with Transitional Handle	Retrofit Frame Kit (Proud Installation) SKSFK800CS Frame Kit for installation in 24" (610 mm) deep cutout. See details below.
SKSCF2401P 24-Inch Reversible Door Swing, Panel-Ready	SKSPK245CS Professional Stainless Steel Panel Kit with Professional Handle SKSPK245CMT Satin Stainless Steel Panel Kit with Transitional Handle	
SKSCF1801P 18-Inch Reversible Door Swing, Panel-Ready	SKSPK185CS Professional Stainless Steel Panel Kit with Professional Handle SKSPK185CMT Satin Stainless Steel Panel Kit with Transitional Handle	

*Panel Kit includes one door panel, one toe kick and one handle. This kit is reversible and can be used in both right hand and left hand door swing installations.

Retrofit Frame Kit (Proud Installation)

SKSFK800CS

Units can be installed in a 24" (610 mm) deep cutout with this optional frame kit. The kit includes two 80" (2032 mm) brushed aluminum side trim pieces. Each trim piece is 5" (127 mm) deep with a 1/8" (3 mm) front face.

INTEGRATED COLUMN AND BUILT-IN FRENCH DOOR ACCESSORIZE YOUR PANEL-READY UNIT

STEP 1 CHOOSE YOUR UNIT	STEP 2 CHOOSE YOUR PANEL KIT* (SKIP IF YOU ARE INSTALLING CUSTOM PANELS)	STEP 3 OPTIONAL ACCESSORIES FOR PROUD OR FLUSH INSTALLATION
COLUMN WINE REFRIGERATOR		
<p>SKSCW241RP 24-Inch Reversible Door Swing, Panel-Ready</p>	<p>SKSWK245RS Right Hinge Professional Stainless Steel Panel Kit with Professional Handle</p> <p>SKSWK245RMT Right Hinge Satin Stainless Steel Panel Kit with Transitional Handle</p> <p>SKSWK245LS Left Hinge Professional Stainless Steel Panel Kit with Professional Handle</p> <p>SKSWK245LMT Left Hinge Satin Stainless Steel Panel Kit with Transitional Handle</p>	<p>Retrofit Frame Kit (Proud Installation)</p> <p>SKSFK800CS Frame Kit for installation in 24" (610 mm) deep cutout. See details below.</p> <p>Joining Kit for Dual Column Installation</p> <p>SKSFJ800P This kit is required for installation when a wine column is installed with another wine column, refrigerator column or French door column.</p>
<p>SKSCW181RP 18-Inch Reversible Door Swing, Panel-Ready</p>	<p>SKSWK185RS Right Hinge Professional Stainless Steel Panel Kit with Professional Handle</p> <p>SKSWK185RMT Right Hinge Satin Stainless Steel Panel Kit with Transitional Handle</p> <p>SKSWK185LS Left Hinge Professional Stainless Steel Panel Kit with Professional Handle</p> <p>SKSWK185LMT Left Hinge Satin Stainless Steel Panel Kit with Transitional Handle</p>	
FRENCH DOOR REFRIGERATOR		
<p>SKSFD3604P 36-Inch Panel-Ready</p>	<p>SKSPK360FS Professional Stainless Steel Panel Kit with Professional Handles</p> <p>SKSPK360FMT Satin Stainless Steel Panel Kit with Transitional Handles</p>	<p>Retrofit Frame Kit (Proud Installation)</p> <p>SKSFK800CS Frame Kit for installation in 24" (610 mm) deep cutout. See details below.</p>
<p>SKSFD4826P 48-Inch Panel-Ready</p>	<p>SKSPK480FS Professional Stainless Steel Panel Kit with Professional Handles</p> <p>SKSPK480FMT Satin Stainless Steel Panel Kit with Transitional Handles</p>	<p>Retrofit Frame Kit (Proud Installation)</p> <p>SKSFK800CS Frame Kit for installation in 24" (610 mm) deep cutout. See details below.</p>

*Column Wine Refrigerator Panel Kit includes one door panel, one toe kick and one handle. Order right or left hinge option, depending on desired installation. 36-Inch French Door Refrigerator Panel Kit includes two fresh food door panels, one convertible drawer panel, one freezer drawer panel, one toe kick and four handles. 18-Inch French Door Refrigerator Panel Kit includes two fresh food door panels, four drawer panels, one toe kick and six handles.

Retrofit Frame Kit (Proud Installation)

SKSFK800CS

Units can be installed in a 24" (610 mm) deep cutout with this optional frame kit. The kit includes two 80" (2032 mm) brushed aluminum side trim pieces. Each trim piece is 5" (127 mm) deep with a 1/8" (3 mm) front face.