



INVITATION TO BID

August 27, 2024

The Little Traverse Bay Bands of Odawa Indians, a federally Recognized Indian Tribe, invites your business to submit a Bid to install complete septic system at 5563 Osborne Rd., Harbor Springs, Michigan as designated by Emmet County permit # E23-184.

Included with this letter are:

- 1.) Provisions governing this ITB.
- 2.) County Permit E24-151
- 3.) Supplemental Septic System Requirements that must be followed.
- 4.) Pre proposal questions and site visits can be arranged by contacting John Givens by email jgivens@lbbodawa-nsn.gov

Thank you for your interest.

Sincerely,

Mandy Szocinski

Mandy Szocinski
Accounting

I. BIDS DUE

- A. All bids must be received by Mandy Szocinski in the Accounting Department by **September 16, 2024** no later than 3:30pm prevailing local time. Submittals received after deadline will not be considered.
- B. Bids will be accepted in the following four methods:
 - 1. By Fax: 231-242-1449
 - 2. By E-Mail: mszocinski@ltbbodawa-nsn.gov
 - 3. U.S. Mail to: Little Traverse Bay Bands of Odawa Indians
Attn: Mandy Szocinski
7500 Odawa Circle
Harbor Springs, MI 49740
- C. Any questions regarding the bid process may be directed to Mandy Szocinski, at 231-242-1439.
- D. All bids will be reviewed in the Accounting Department, 7500 Odawa Circle, Harbor Springs, Michigan.

II. SCOPE

- A. The contractor shall provide the necessary equipment, supplies, and materials to accomplish the installation of one complete septic system at 5563 Osborne Rd., Harbor Springs, Michigan.
- B. Observe all applicable prescribed safety regulations and practices.
- C. Contractor must adhere to all of the Indian Health Service (IHS) Supplemental Septic System Requirements included in this contract as "Addendum A".
- D. Install a septic system as designed on the Emmet county permit #E23-184 for 5563 Osborne Rd., Harbor Springs, Michigan (Addendum C).
- E. **Contractor understands that this project is subject to Davis Bacon and Related Acts ([40 USC §276a](#); [29 CFR Parts 1, 3, 5, 6 and 7](#)), and Certified Payroll Records must be submitted to LTBB during the project period see Section 12 and Addendum B.**
- F. Contractor shall comply with all: State and City Codes, City Permit and any corrections identified by the Authorities Having Jurisdiction or Indian Health Service inspectors.
- G. If applicable, contractor is responsible for pumping of existing septic tank to make new connections. The pumping of the existing tank must be performed by a licensed sewage disposal company and transported off site.
- H. Install observation pipes on 2 far end corners of drain field, from the bottom of the trench to finished grade.
- I. Install two-way cleanouts approximately 5 feet from the outside wall of building.
- J. Inlet pipe to the septic tank should be capped and marked 5' from building to allow for future hook up.
- K. Provide at least two manhole openings, no less than 24 inches square or 24 inches in diameter, with each single or multiple compartment tanks situated over the inlet pipe & baffle and outlet pipe & effluent filter. Covers shall be of the same material as the riser, with a warning label, printed with information regarding the hazards present when entering a septic tank, affixed or supplied by the manufacturer. Covers should be installed at finished grade.
- L. Contractors bid should be inclusive of any details necessary to properly install septic system at the above-mentioned address including connections to the existing drain line at the exterior of the building and these details shall adhere to any applicable codes.
- M. If applicable, the contractor is responsible for all electrical connections of the new septic system. This shall include any work necessary to provide a dedicated line from the electrical panel of the home to the septic system.
- N. Must have septic system inspected by Emmet County sanitarian and approved.
- O. Contractor shall be responsible to make turf, road, and sidewalk repairs in areas where contractor's equipment damages said areas
- P. All final grading, seeding, and mulching of any disturbed areas is the responsibility of the contractor. Final grade should be as good or better than before work was started.
- Q. Contractors will provide a minimum of 2 years of warranty on any and all services provided.

III. QUALIFICATIONS

- A. Must not appear as listed as parties that are excluded from receiving Federal contracts, certain subcontracts, and certain Federal financial and nonfinancial assistance and benefits, pursuant to the provisions of 31 U.S.C. 6101, note, E.O. 12549, E.O. 12689, 48 CFR 9.404, and each agency's codification of the Common Rule for Nonprocurement suspension and debarment.
- B. **Davis Bacon and Related Acts (DBRA)**. DBRA are administered by the Wage and Hour Division. Contractors and subcontractors performing on federally funded or assisted contracts in, in excess of \$2,000.00 for the construction, alteration or repairs are required to pay their laborers not less than the prevailing wage rates and fringe benefits as determined by Department of Labor (DOL) and listed on the web site (www.dol.gov) under the Wage and Hour Division

(WHD) for corresponding classes of laborers employed on similar project in the area and are listed in this contract (Addendum A MI20240001 08/02/2024 “Davis-Bacon Wage Determination”). Apprentices may be employed at less than predetermined rates if they are in an apprenticeship program registered with the DOL or with a state apprenticeship agency recognized by the DOL. Trainees may be employed at less than predetermined rates if they are in a training program certified by the DOL. Contractors and subcontractors on prime contracts in excess \$100,000.00 are required, pursuant to the Contract Work Hours and Safety Standards Act, to pay employees one and one-half times their basic rates of pay for all hours over 40 worked on covered contract work in a workweek. **Covered Contractors and subcontractors are also required to pay employees weekly and to submit weekly certified payroll records to LTBB, the contracting agency, to the LTBB Accounting Office or designee (form wh347).** ([40 USC §276a; 29 CFR Parts 1, 3, 5, 6 and 7](#))

- C. The Parties understand that LTBB has enacted a statute, WOS 2012-008, the Sex Offender Registration and Notification Statute, to fulfill the obligations of sex offender registration and notification. All contractors, including their employees including all subcontractors and their employees that are sex offenders that are mandated to register are required to update their registry with the LTBB Law Enforcement when working on sites under the jurisdiction of LTBB.
- D. The contractor must have a minimum of two (2) years of experience in residential septic/drain field installation service.
- E. If applicable the contractor must have qualified and trained staff to complete the contract requirements.

IV. PREFERENCES FOR CONTRACTOR

- A. Native American Preference shall apply.
 - 1. Citizens of the Little Traverse Bay Bands of Odawa Indians,
 - 2. Citizens of Other Federally Recognized Tribes, as certified by the Bureau of Indian Affairs
- B. Special consideration shall also be given to firms proven to be minority owned and/or classified as small business, see item 4 of “Bid Package” submittal for documentation needed.
- C. Special consideration shall also be given to firms proven to be compliant with the Build America, Buy America (BABA) Act which requires that all of the iron, steel, manufactured products, and construction materials used in infrastructure projects are produced in the United States.
 - a. BABA is waived as a requirement for this project however LTBB encourages contractors to buy American as much as possible and preference shall apply (documentation needed at time of material purchase).
- D. The American Iron and Steel (AIS) provision requires USDA Rural Utilities Service (RUS) Water and Environmental Programs (WEP) assistance recipients to use iron and steel products that are produced in the United States. This requirement applies to projects for the construction, alteration, maintenance, or repair of water and waste infrastructure. The Consolidated Appropriations Act of 2017 ([Section 746 Division A of Title VII](#)) includes an AIS requirement. Preference shall be given to bidders who are AIS compliant with documentation at time of material purchase.

V. INSURANCE REQUIREMENTS

The Contractor must obtain and agree to maintain during the term of the Contract, the following insurance coverage that apply, as required by law. All coverage shall be with insurance companies licensed and admitted to do business in the State of Michigan.

- A. The Contractor shall carry Worker’s Compensation and Employer’s Liability Insurance Coverage.
- B. The Contractor shall be responsible for insuring all its vehicles, equipment, and all materials which it may use during contract period. LTBB shall not be responsible for any loss or damage to the Contractor’s vehicles, equipment, and materials.
- C. The Contractor shall procure and maintain during the term of the contract Professional or Commercial General Liability Insurance on an “occurrence basis” with limits of liability of not less than \$1,000,000 per occurrence combined single limit, for Personal injury, Bodily injury and Property Damage. Coverage shall include the following extensions: 1.) Contractual Liability; 2.) Products and Completed Operations Coverage; 3.) Independent Contractors Coverage; and 4.) Broad Form General Liability Extensions or equivalent.
- D. The Contractor shall maintain Vehicle Liability Coverage and Michigan No-Fault coverage including all owned, non-owned, and hired vehicles, of not less than \$1,000,000 per occurrence combined single limit.
- E. If any of the above coverage expires during the term of the contract, the Contractor’s insurer shall deliver renewal certification and/or policies to: Little Traverse Bay Bands of Odawa Indians, Accounting Contracts Personnel, and 7500 Odawa Circle, Harbor Springs, Michigan 49740.

VI. FUNDING REQUIREMENTS

Contractor acknowledges notification that this project is 100% funded through the Indian Health Services grant and may require special terms, conditions, and reporting requirements. The following are required as Special Terms and Conditions: **Davis Bacon and Related Acts (DBRA) and wage certification.**

VII. CONTRACT AWARD

A team from LTBB will evaluate the proposals and choose to award the contract to one or more of the most responsive firms having proven experience in similar media campaigns as described above. Native American, Preference shall apply, as well as, preferences for MBE/WBE, SBA, BABA and AIS with documentation.

The award may be split, at the LTBB's discretion, between two (2) or more contractors to better service specific locations.

LTBB may determine that the rejection of all bids is in the best interest of LTBB. LTBB will not pay for any information herein requested, nor is it liable for any costs incurred by the bidder.

BID PACKAGE

Responses must be in the format listed below along with any supplemental documentation which is required to meet criteria of this request. Confine submissions to those matters sufficient to define its proposal and to provide adequate basis for the Little Traverse Bay Bands of Odawa Indians to evaluate the proposal. Incomplete responses will not be considered.

1. Introduction
 - a. Letter briefly state the understanding you have of the work to be done stating subject is in response to this invitation
 - b. Company Profile including the name, title, address, telephone number, name of contact person, and date
 - c. Key staff who will perform the tasks for this project
 - d. List of References (minimum of 3)
 - e. List and provide contact information for any subcontractors for the project.
2. Work Plan – describe in detail the tasks, timeline, materials and deliverables to complete the project as it relates to the Scope of Services. Clearly indicate which tasks will be completed by subcontractors (if applicable).
3. The total estimated cost of the complete septic system and any other details spelled out on the applicable county permit for the Contract term as noted in Section II of this invitation. Please use “Bid Schedule A - Gravity Septic Systems” for cost submittals.
4. Documentation Required for Preferences Listed in Section IV—All things being equal, the following types of firms would receive special consideration, in the award of this contract:
 - Indian Owned— Indian owned is defined as, at least 51% Indian owned & controlled by person(s) of certified (federally recognized) Native American heritage; SBA or Tribal certification required.
 - Minority/Women Owned— Minority owned is a firm that is at least 51% owned and controlled by a minority and so documented; Registered as MBE/WBE - SBA 8-a certification required.
 - Small Business— Small business for this purpose is firm doing less than \$2 million annually as verified by gross receipts, SBA certification required.
5. Statement as to compliant with BABA and AIS and will provide documentation upon material purchase.
6. A copy of the Certificates of Insurance for the Contract term as noted in Section V of this invitation.

Evaluation Scale (Total Possible Points = 100)

Proposals shall be evaluated on the point scale listed below. Point values to be awarded on a sliding scale based upon proposal information provided and total point values in each category are not guaranteed.

Qualifications and experience of staff dedicated to this project	10
Method and Approach meets LTBB Needs	15
Experience, Past Performance (references)	10
Quality of work	15
Total cost	25
Native American Owned	10
Non-Native Minority, Women, Disabled, Registered Small Business or Veteran Owned	5
Build America, Buy America (BABA) Act	5
American Iron and Steel (AIS)	5
Total Score	100

BID SCHEDULE A - GRAVITY SEPTIC SYSTEM					
No.	Item	Qty	Unit	Unit Cost	Total Cost
1	Drainfield (includes lateral, headers, and piping from septic tank to drainfield)	1	LS		
2	New septic tank (includes risers and inlet tee)	1	LS		
3	Effluent filter	1	EA		
4	2-way cleanout with frost sleeve (includes piping from house to septic tank)	1	LS		
5	Observation pipes	1	LS		
6	Existing septic tank abandonment (if applicable)	1	LS		
7	Finish grading, seed, topsoil, and mulch of all disturbed areas	1	LS		
				Total =	
<p>NOTES</p> <p>1 Costs include all labor and materials for installation of scope as outlined in County Permits, State Codes, and IHS Supplemental Specifications.</p> <p>2 Costs must be provided for all line items above otherwise bid will be considered incomplete.</p> <p>3 Changes to quantities listed above must be approved in writing (email) by the IHS prior to performing the work. 4 Payment will not be made for quantities or changes in scope that are not previously approved.</p> <p>5 Costs associated with site access, clearing, tree/brush removal and offsite disposal offsite are to be included in unit costs above 6 Photo documentation required as described in attachment</p>					

Indian Health Service
Sault Sainte Marie Field Office

7/28/2017

1

Addendum A
SEPTIC SPECIFICATIONS (Gravity Systems)
IHS SUPPLEMENTAL REQUIRMENTS

PART 1 – GENERAL

1.01 SUMMARY

- A. This specification adds sanitary components to the Contractor’s scope of work that may not already be included in the County issued permit.
- B. If access to the site requires the removal of trees, the Contractor shall coordinate with and obtain approval from Tribe/IHS prior to start of construction.
- C. For projects in the Lower Peninsula, all parties involved in construction activities shall first watch MDNR’s “60-Second Snakes: The Eastern Massasauga Rattlesnake” video (available at https://youtu.be/-PfnXe_e02w).
 - 1. Any EMR observations during project” implementation shall be reported to the USFWS or IHS Engineer within 24 hours.

1.02 SUBMITTALS

- A. Before construction: Submit for IHS Engineer approval all “or equal” or alternate items.
- B. After construction is completed, Contractor shall submit:
 - 1. Clearly labeled as-built drawing per attached drawing.
 - 2. Product literature as requested by IHS Engineer.
- C. Submittal Procedures
 - 1. Submit copies of submittals to the Tribal contact and IHS Engineer, unless requested otherwise, utilizing one of the following options:
 - a. An electronic copy in pdf format delivered to Tribal contact and Engineer via email or other means as approved.
 - b. Two (2) hard copies to Tribal contact.
- D. Contact Information
 - 1. John Givens, Housing Director 7500 Odawa Circle, Harbor Springs, MI 49740 231-242-1542 jgivens@ltbbodawa-nsn.gov
 - 2. Eric Burtt, IHS Engineer 2847 Ashmun St., Ste. #1I, Sault Ste Marie, MI 49783 (906) 632-3151, eric.burtt@ihs.gov

PART 2 – PRODUCTS AND EXECUTION

2.01 SOLID SEWER PIPE, CLEANOUT AND FITTINGS

- A. All gravity pipe, fittings, and caps shall be Schedule 40 PVC from the house to beyond tanks. SOR 35 PVC may be utilized to connect to drain field.
- B. Minimum slope between the house and the septic tank is 1/8-inch per foot or per County Permit, whichever is greater.

- C. There shall be no 90-degree bends in the pipe between the house and the Septic tank.
- D. Install two-way cleanouts approximately 5 feet from the outside wall of home per attached drawing. An interior cleanout is acceptable if septic tank is not greater than 10 feet from home and pipe contains no bends.

2.02 SEPTIC TANKS

- A. Provide new septic tank per County sizing requirements.
- B. Place tank level per attached drawing.
- C. Septic tank shall have 2 manholes and 2 access risers per attached drawing.
- D. Septic tank manholes and risers situated over the outlet pipe & effluent filter shall be no less than 24 inches in diameter.
- E. Septic tank manholes and risers situated over the inlet pipe and baffle shall be no less than 16 inches in diameter.
- F. Extend both septic tank risers to either
 - 1. Finished grade and mound around septic tank to prevent ponding around risers, or
 - 2. Above grade, but by no more than 3"-6" (applicable to low lying areas).
- G. Septic tank risers shall be pre-manufactured with gasketed connections or other approved water-tight material.
- H. Septic tank riser covers shall be of the same material as the riser. Provide suitable stainless-steel locking screws or locking device per attached drawing.
 - I. All tank joints and connections to tank shall be watertight. A flexible boot shall be provided for piping connections.

2.03 EFFLUENT FILTER

- A. Equal to Polylok PL-122 or equal.
- B. Center filter_ under the outlet manhole opening. Solvent weld to 4-inch PVC Schedule 40 outlet pipe. Extend beyond the outside of the septic tank excavation before connecting to SDR 35 pipe. Install filter handle and extend handle to within 6-inches of the top of the access riser for easy access. Conform to manufacturer's installation instructions.

2.04 INLET TEE OR BAFFLE

- A. Provide an open-end sanitary tee or baffle made of approved material at the inlet.
- B. Center tee or baffle under the inlet manhole opening. Solvent weld to 4-inch PVC Schedule 40 inlet pipe.
- C. Tee or baffle shall extend at least 6 inches above and 9 inches below the liquid level, but not exceed 1/3 of the liquid depth. Provide at least 2 inches of clear space over the top of the tee or baffle.

2.05 OBSERVATION PIPE

- A. Observation pipe material shall be Schedule 40 PVC, include perforations at the bottom, secured caps at the top, and should be securely anchored to drainfield.
- B. Install observation pipes on 2 far end corners of drainfield/mound from the bottom of the trench/bed or mound system per attached drawing.
- C. Install top of observation pipe flush with finished grade. Drive 12-inch length of rebar adjacent to pipe to assist with locating pipe in the future.

PART 3 – SITE RESTORATION

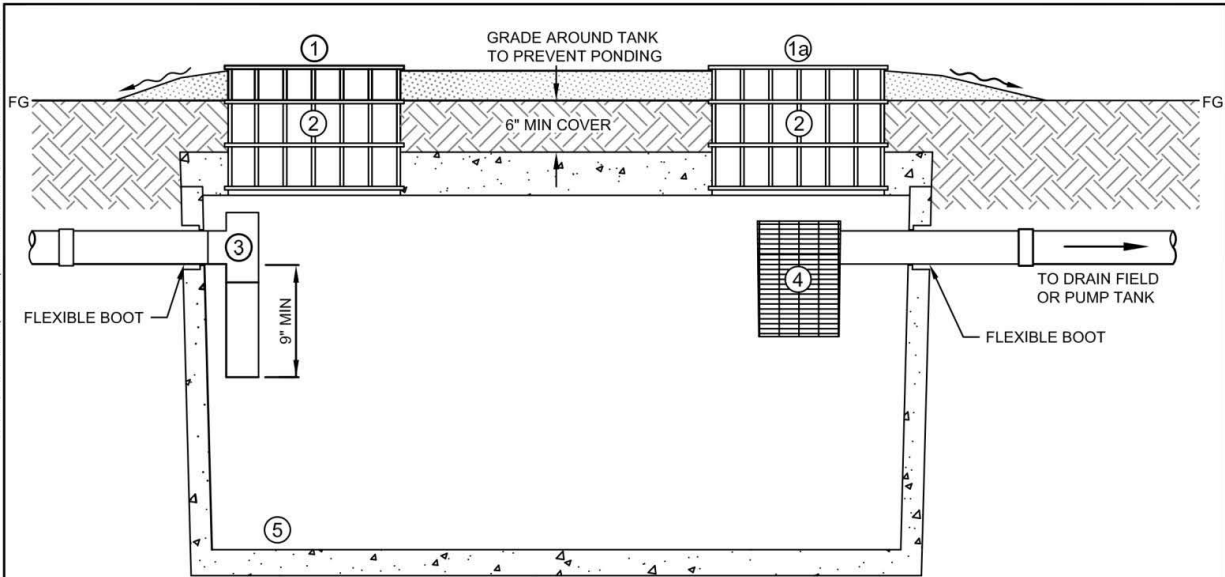
3.01 TOPSOILING, SEEDING, FERTILIZING, AND MULCHING

- A. All work necessary for top soiling, fertilizing, seeding and mulching shall be completed by Contractor to ensure adequate re-establishment of vegetation around area of drain field and sewer service line. This work shall be performed during seeding dates for permanent cover (MDEQ guidelines). This is generally May 1- Oct 1.
- B. Contractor shall strip and stockpile existing topsoil from all planned disturbed areas unless design requires topsoil to remain undisturbed. After grading is complete, spread stockpiled topsoil over all disturbed areas, excluding those where another type of finished surface is being provided. Contractor shall restore topsoil depth to original conditions (minimum) or as needed to provide permanent vegetation.
- C. The Contractor is responsible for re-establishing vegetation on all disturbed areas where vegetation existed prior to construction.

3.02 EXISTING SEPTIC TANK ABANDONMENT

- A. Abandon existing septic tanks and drywalls. Pump tanks prior to abandonment. Dispose the contents in accordance with state and federal requirements. Backfill interior of the tank with a suitable compactable soil material. Locate abandoned septic tanks on the as-built drawing.

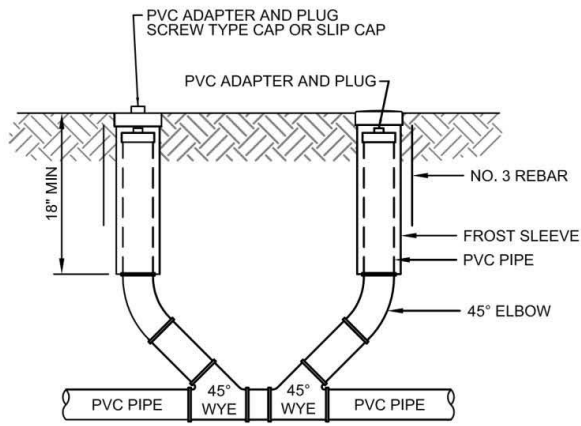
END OF SECTION



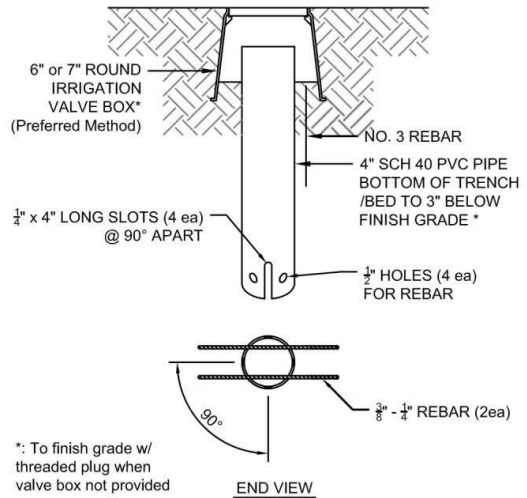
NOTES:

1. HDPE MANHOLE COVER W/LOCKING SCREWS OR APPROVED ACCESS RESTRAINT. DIAMETERS: 1: 16" Min; 1A: 24" Min
2. HDPE MANHOLE RISERS W/GASKETED CONNECTIONS. RISERS AT FINISH GRADE ELEVATION. PROVIDE FILL AND/OR GRADING TO DIRECT WATER AWAY FROM RISER LIDS. RISERS MAY NEED TO BE INSTALLED 3"-6" ABOVE FINISH GRADE IN AREAS SUBJECT TO PONDING; PER IHS DIRECTION.
3. INLET BAFFLE OR TEE
4. EFFLUENT FILTER, POLYLOK PL-122 OR EQUAL.
5. SEPTIC TANK COMPLIANT WITH ASTM C1227 REQUIREMENTS.

A SEPTIC TANK
NTS



B TWO-WAY CLEANOUT
NTS



*: To finish grade w/ threaded plug when valve box not provided

END VIEW

C OBSERVATION PIPE
NTS



INDIAN HEALTH SERVICE
BEMIDJI AREA
SAULT STE MARIE FIELD OFFICE
2847 ASHMUN STREET, SUITE 1
SAULT STE MARIE, MI 49783
(906) 632-3151

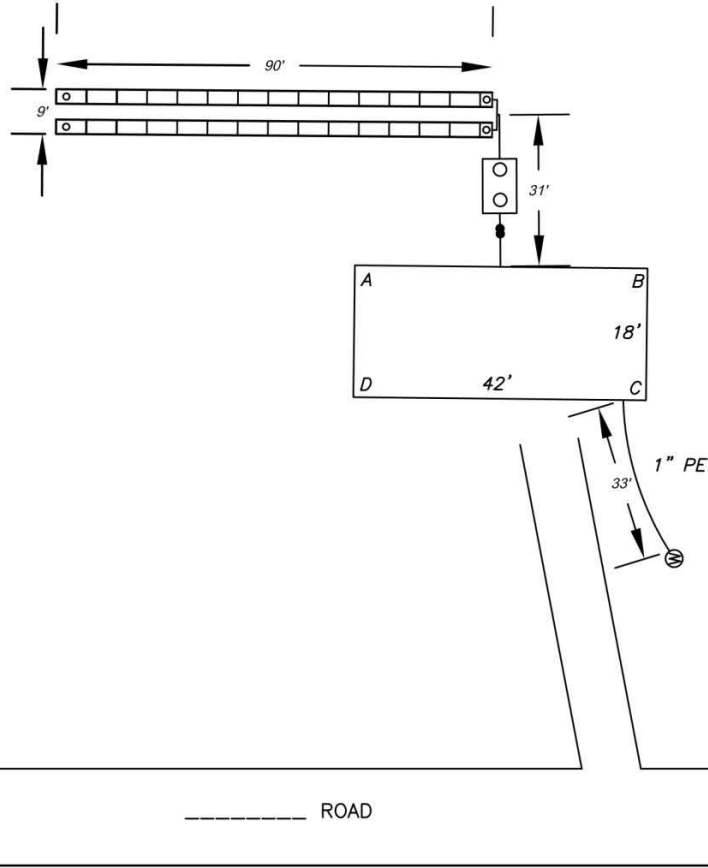
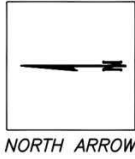
TRIBE:	
PROJECT NO.:	
COUNTY:	
DATE:	
DRAFTED BY:	
ENGINEER:	

DETAILS

C4

AS-BUILT DRAWING

HOMEOWNER: [NAME]
 PROJECT NO: [IHS PROJECT NO.]
 RESERVATION:
 ADDRESS:
 LEGAL DESCRIPTION:



USBR: jsterden FILE: I:\STANDARD DETAILS\CSI-SPECS\2012\01780-1.dwg 12/14/2012 - 9:19am

ITEM DESCRIPTION	SYMBOLS	MATERIALS			HOUSE CORNER TIES (FT.)				DRAWN BY: TLR DATE: 02-16-06 COMPANY: ABC COMPANY
		SIZE	MAT'L	QUANT.	A	B	C	D	
CURB STOP	⊙								
WELL	⊕	6"	STEEL	1			33.2'	74.1'	
SEPTIC TANK	□□	1000 GAL	CONCRETE	1	35.0'	35.0'			
COMBINATION SEPTIC/PUMP TANK	□□ □□-□□	GAL			52.0'	52.0'			REMARKS: DRAINFIELD IS DESIGNED FOR A 4 BEDROOM HOME
TWO WAY CLEANOUT	••	4"	PVC	1	30.7'	30.9'			
ONE WAY CLEANOUT	•				31.2'	31.5'			INSTALLED QUICK4 STANDARD CHAMBERS
FREEZELESS RISER	⊕								
WATER SERVICE LINE	—W—								
SEWER SERVICE LINE	—S—								
DRAIN FIELD	□□□□□		HDPE	42	DISPOSAL SYSTEM				FACILITIES INSTALLED IN FEBRUARY 2006
PERFORATED PIPE	—								
SEWER FORCE MAIN	—SFM—				<input type="checkbox"/> IN-GROUND				
INSULATION	▨				<input type="checkbox"/> AT-GRADE				
BURIED ELECTRICAL LINE	—E—				<input type="checkbox"/> MOUND				
WATER MAIN	—W/M—				MATERIAL: INFILTRATOR CHAMBERS				
SEWER MAIN	—S/M—				DIMENSIONS: 9' x 90'				

DRAWING NO.
01780-2 (EXAMPLE)

AS-BUILT DRAWING



NORTH ARROW

HOMEOWNER:
PROJECT NO:
RESERVATION:
ADDRESS:
LEGAL DESCRIPTION:

USER: jzjorden FILE: I:\STANDARD DETAILS\CSI-SPECS\2012\01780-1.dwg 12/14/2012 - 9:20am

ITEM DESCRIPTION	SYMBOLS	MATERIALS			HOUSE CORNER TIES (FT.)				DRAWN BY:
		SIZE	MAT'L	QUANT.	A	B	C	D	DATE:
CURB STOP	⊙	"							COMPANY:
WELL	⊕	"							
SEPTIC TANK	□ □	GAL							REMARKS:
COMBINATION SEPTIC/PUMP TANK	□ □ □ □ □ - □	GAL							
TWO WAY CLEANOUT	• •	"							
ONE WAY CLEANOUT	•	"							
FREEZELESS RISER	Ⓢ	"							
WATER SERVICE LINE	— W —	"							
SEWER SERVICE LINE	— S —	"							
DRAIN FIELD	□ □ □ □ □ □ □ □	"							
PERFORATED PIPE	— — — — —	"							
SEWER FORCE MAIN	— SFM —								
INSULATION	XXXXXXXXXX								
BURIED ELECTRICAL LINE	— E —								
WATER MAIN	— W/M —	"							
SEWER MAIN	— S/M —	"							
					DISPOSAL SYSTEM				
					TYPE:				
					<input type="checkbox"/> CONVENTIONAL				
					<input type="checkbox"/> IN-GROUND				
					<input type="checkbox"/> AT-GRADE				
					<input type="checkbox"/> MOUND				
					MATERIAL:				DRAWING NO.
					DIMENSIONS:				01780-1

Addendum B
Davis-Bacon Wage Determination

General Decision Number: MI20240001 08/02/2024

Superseded General Decision Number: MI20230001

State: Michigan

Construction Types: Highway (Highway, Airport & Bridge xxxxx and Sewer/Incid. to Hwy.)

Counties: Michigan Statewide.

Note: Contracts subject to the Davis-Bacon Act are generally required to pay at least the applicable minimum wage rate required under Executive Order 14026 or Executive Order 13658. Please note that these Executive Orders apply to covered contracts entered into by the federal government that are subject to the Davis-Bacon Act itself, but do not apply to contracts subject only to the Davis-Bacon Related Acts, including those set forth at 29 CFR 5.1(a)(2)-(60).

If the contract is entered into on or after January 30, 2022, or the contract is renewed or extended (e.g., an option is exercised) on or after January 30, 2022, Executive Order 14026 generally applies to the contract. The contractor must pay all covered workers at least \$17.20 per hour (or the applicable wage rate listed on this wage determination, if it is higher) for all hours spent performing on that contract in 2024.

If the contract was awarded on or between January 1, 2015 and January 29, 2022, and the contract is not renewed or extended on or after January 30, 2022, Executive Order 13658 generally applies to the contract. The contractor must pay all covered workers at least \$12.90 per hour (or the applicable wage rate listed on this wage determination, if it is higher) for all hours spent performing on that contract in 2024.

The applicable Executive Order minimum wage rate will be adjusted annually. If this contract is covered by one of the Executive Orders and a classification considered necessary for performance of work on the contract does not appear on this wage determination, the contractor must still submit a conformance request. Additional information on contractor requirements and worker protections under the Executive Orders is available at <http://www.dol.gov/agencies/whd/government-contracts>.

Modification Number	Publication Date	Modification Number	Publication Date	Modification Number	Publication Date
0	01/05/2024	5	05/03/2024	10	06/28/2024
1	02/23/2024	6	05/17/2024	11	07/12/2024
2	04/05/2024	7	05/24/2024	12	07/26/2024
3	04/19/2024	8	06/07/2024	13	08/02/2024
4	04/26/2024	9	06/14/2024		

CARP0004-004 06/01/2019	REMAINDER OF STATE	Rates	Fringes
CARPENTER (Piledriver).....		\$ 27.62	20.59

CARP0004-005 06/01/2018	Livingston (Townships Of Brighton, Deerfield, Genoa, Hartland, Oceola & Tyrone), Macomb, Monroe, Oakland, Sanilac, St. Clair and Wayne Counties	Rates	Fringes
CARPENTER (Piledriver).....		\$ 30.50	27.28

*ELEC0017-005 06/01/2024	STATEWIDE	Rates	Fringes
Line Construction			
Groundman/Driver.....		\$ 32.00	33%+7.31
Journeyman Signal Tech, Communications Tech, Tower Tech & Fiber Optic Splicers.....		\$ 47.35	33%+7.31
Journeyman Specialist.....		\$ 54.45	33%+7.31
Operator A.....		\$ 40.09	33%+7.31
Operator B.....		\$ 37.46	33%+7.31

Classifications

Journeyman Specialist: Refers to a crew of only one person working alone.

Operator A: Shall be proficient in operating all power equipment including: Backhoe, Excavator, Directional Bore and Boom/Digger truck.

Operator B: Shall be proficient in operating any 2 of the above-mentioned pieces of equipment listed under Operator A.

ENGI0324-003 06/01/2024

Alcona, Alpena, Arenac, Bay, Cheboygan, Clare, Clinton, Crawford, Genesee, Gladwin, Gratiot, Huron, Ingham, Iosco, Isabella, Jackson, Lapeer, Lenawee, Livingston, Macomb, Midland, Monroe, Montmorency, Oakland, Ogemaw, Oscoda, Otsego, Presque Isle, Roscommon, Saginaw, St. Clair, Sanilac, Shiawassee, Tuscola, Washtenaw And Wayne Counties:

OPERATOR: Power Equipment

(Steel Erection)	Rates	Fringes	(Steel Erection)	Rates	Fringes
GROUP 1.....	\$ 55.42	25.25	GROUP 10.....	\$ 52.70	25.25
GROUP 2.....	\$ 56.42	25.25	GROUP 11.....	\$ 50.97	25.25
GROUP 3.....	\$ 53.92	25.25	GROUP 12.....	\$ 51.97	25.25
GROUP 4.....	\$ 54.92	25.25	GROUP 13.....	\$ 50.61	25.25
GROUP 5.....	\$ 52.42	25.25	GROUP 14.....	\$ 51.61	25.25
GROUP 6.....	\$ 53.42	25.25	GROUP 15.....	\$ 49.97	25.25
GROUP 7.....	\$ 52.15	25.25	GROUP 16.....	\$ 46.77	25.25
GROUP 8.....	\$ 53.15	25.25	GROUP 17.....	\$ 32.29	12.40
GROUP 9.....	\$ 51.70	25.25	GROUP 18.....	\$ 35.78	25.25

FOOTNOTE: Paid Holidays: New Year's Day, Memorial Day, Fourth of July, Labor Day, Thanksgiving Day and Christmas Day.

POWER EQUIPMENT OPERATOR CLASSIFICATIONS

GROUP 1: Engineer when operating combination of boom and jib 400' or longer

Form Approval Pending

MCS 8-13-2024

- GROUP 2: Engineer when operating combination of boom and jib 400' or longer on a crane that requires an oiler
- GROUP 3: Engineer when operating combination of boom and jib 300' or longer
- GROUP 4: Engineer when operating combination of boom and jib 300' or longer on a crane that requires an oiler
- GROUP 5: Engineer when operating combination of boom and jib 220' or longer
- GROUP 6: Engineer when operating combination of boom and jib 220' or longer on a crane that requires an oiler
- GROUP 7: Engineer when operating combination of boom and jib 140' or longer
- GROUP 8: Engineer when operating combination of boom and jib 140' or longer on a crane that requires an oiler
- GROUP 9: Tower crane & derrick operator (where operator's work station is 50 ft. or more above first sub-level)
- GROUP 10: Tower crane & derrick operator (where operator's work station is 50 ft. or more above first sub-level) on a crane that requires an oiler
- GROUP 11: Engineer when operating combination of boom and jib 120' or longer
- GROUP 12: Engineer when operating combination of boom and jib 120' or longer on a crane that requires an oiler
- GROUP 13: Crane operator; job mechanic and 3 drum hoist and excavator
- GROUP 14: Crane operator on a crane that requires an oiler
- GROUP 15: Hoisting operator; 2 drum hoist and rubber-tired backhoe
- GROUP 16: Forklift and 1 drum hoist
- GROUP 17: Compressor or welder operator
- GROUP 18: Oiler

 ENGI0324-004 06/01/2024 OPERATOR: Power Equipment (Steel Erection)

AREA 1: Allegan, Barry, Berrien, Branch, Calhoun, Cass, Eaton, Hillsdale, Ionia, Kalamazoo, Kent, Lake, Manistee, Mason, Mecosta, Montcalm, Muskegon, Newaygo, Oceana, Osceola, Ottawa, St. Joseph, Van Buren

AREA 2: Antrim, Benzie, Charlevoix, Emmet, Grand Traverse, Kalkaska, Leelanau, Missaukee And Wexford Counties:

AREA 1	Rates	Fringes	AREA 2	Rates	Fringes
GROUP 1.....	\$ 55.02	25.25	GROUP 1.....	\$ 55.02	25.25
GROUP 2.....	\$ 52.15	25.25	GROUP 2.....	\$ 52.15	24.25
GROUP 3.....	\$ 50.61	25.25	GROUP 3.....	\$ 50.61	25.25
GROUP 4.....	\$ 46.77	25.25	GROUP 4.....	\$ 46.77	25.25
GROUP 5.....	\$ 32.29	12.40	GROUP 5.....	\$ 32.29	12.40
GROUP 6.....	\$ 35.78	25.25	GROUP 6.....	\$ 35.78	25.25

FOOTNOTES: Crane operator with main boom and jib 300' or longer: \$1.50 additional to the group 1 rate. Crane operator with main boom and jib 400' or longer: \$3.00 additional to the group 1 rate.

PAID HOLIDAYS: New Year's Day, Memorial Day, Fourth of July, Labor Day, Thanksgiving Day and Christmas Day.

POWER EQUIPMENT OPERATOR CLASSIFICATIONS:

- GROUP 1: Crane Operator with main boom & jib 400', 300', or 220' or longer.
- GROUP 2: Crane Operator with main boom & jib 140' or longer, Tower Crane; Gantry Crane; Whirley Derrick.
- GROUP 3: Regular Equipment Operator, Crane, Dozer, Loader, Hoist, Straddle Wagon, Mechanic, Grader and Hydro Excavator.
- GROUP 4: Air Tugger (single drum), Material Hoist Pump 6" or over, Elevators, Brock Concrete Breaker.
- GROUP 5: Air Compressor, Welder, Generators, Conveyors
- GROUP 6: Oiler and fire tender

 ENGI0324-005 09/01/2023

AREA 1: Genesee, Lapeer, Livingston, Macomb, Monroe, Oakland, St. Clair, Washtenaw And Wayne Counties

AREA 2: Alcona, Allegan, Alger, Alpena, Antrim, Arenac, Baraga, Barry, Bay, Benzie, Berrien, Branch, Calhoun, Cass, Charlevoix, Cheboygan, Chippewa, Clare, Clinton, Crawford, Delta, Dickinson, Eaton, Emmet, Gladwin, Gogebic, Grand Traverse, Gratiot, Hillsdale, Houghton, Huron, Ingham, Ionia, Iosco, Iron, Isabella, Jackson, Kalamazoo, Kalkaska, Kent, Kweenaw, Lake, Leelanau, Lenawee, Luce, Mackinac, Manistee, Marquette, Mason, Mecosta, Menominee, Midland, Missaukee, Montcalm, Montmorency, Muskegon, Newaygo, Oceana, Ogemaw, Ontonagon, Osceola, Oscoda, Otsego, Ottawa, Presque Isle, Roscommon, Saginaw, Sanilac, Schoolcraft, Shiawassee, St. Joseph, Tuscola, Van Buren And Wexford Counties

OPERATOR: Power Equipment (Underground construction (including sewer))

AREA 1:	Rates	Fringes	AREA 2:	Rates	Fringes
GROUP 1.....	\$ 41.08	25.25	GROUP 1.....	\$ 39.27	25.25
GROUP 2.....	\$ 34.25	25.25	GROUP 2.....	\$ 34.38	25.25
GROUP 3.....	\$ 35.52	25.25	GROUP 3.....	\$ 33.88	25.25
GROUP 4.....	\$ 34.95	25.25	GROUP 4.....	\$ 33.60	25.25
GROUP 5.....	\$ 25.35	12.10	GROUP 5.....	\$ 25.35	12.10

POWER EQUIPMENT OPERATOR CLASSIFICATIONS

- GROUP 1: Backfiller tamper; Backhoe; Batch plant operator (concrete); Clamshell; Concrete paver (2 drums or larger); Conveyor loader (Euclid type); Crane (crawler, truck type or pile driving); Dozer; Dragline; Elevating grader; Endloader; Gradall (and similar type machine); Grader; Mechanic; Power shovel; Roller (asphalt); Scraper (self-propelled or tractor drawn); Side boom tractor (type D-4 or equivalent and larger); Slip form paver; Slope paver; Trencher (over 8 ft. digging capacity); Well drilling rig; Concrete pump with boom operator; Hydro Excavator
- GROUP 2: Boom truck (power swing type boom); Crusher; Hoist; Pump (1 or more - 6-in. discharge or larger - gas or diesel- powered or powered by generator of 300 amperes or more - inclusive of generator); Side boom tractor (smaller than type D-4 or equivalent); Tractor (pneu-tired, other than backhoe or front-end loader); Trencher (8-ft. digging capacity and smaller); Vac Truck and End dump operator;

GROUP 3: Air compressors (600 cfm or larger); Air compressors (2 or more-less than 600 cfm); Boom truck (non-swinging, non- powered type boom); Concrete breaker (self-propelled or truck mounted - includes compressor); Concrete paver (1 drum-1/2 yd. or larger); Elevator (other than passenger); Maintenance person; Pump (2 or more-4-in. up to 6-in. discharge-gas or diesel powered - excluding submersible pumps); Pumpcrete machine (and similar equipment); Wagon drill (multiple); Welding machine or generator (2 or more-300 amp. or larger - gas or diesel powered)

GROUP 4: Boiler; Concrete saw (40 hp or over); Curing machine (self-propelled); Farm tractor (with attachment); Finishing machine (concrete); Hydraulic pipe pushing machine; Mulching equipment; Pumps (2 or more up to 4-in. discharge, if used 3 hours or more a day, gas or diesel powered - excluding submersible pumps); Roller (other than asphalt); Stump remover; Trencher (service); Vibrating compaction equipment, self-propelled (6 ft. wide or over); Sweeper (Wayne type); Water wagon and Extend-a boom forklift

Group 5: Fire Person, Oiler

 * ENGI0324-006 06/01/2024

Genesee, Macomb, Monroe, Oakland, Washtenaw, Wayne, Alcona, Alger, Allegan, Alpena, Antrim, Arenac, Baraga, Barry, Bay, Benzie, Berrien, Branch, Calhoun, Cass, Charlevoix, Cheboygan, Chippewa, Clare, Clinton, Crawford, Delta, Dickinson, Eaton, Emmet, Gladwin, Gogebic, Grand Traverse, Gratiot, Hillsdale, Houghton, Huron, Ingham, Ionia, Iosco, Iron, Isabella, Jackson, Kalamazoo, Kalkaska, Kent, Keweenaw, Lake, Lapeer, Leelanau, Lenawee, Livingston, Luce, Mackinac, Manistee, Marquette, Mason, Mecosta, Menominee, Midland, Missaukee, Montcalm, Montmorency, Muskegon, Newaygo, Oceana, Ogemaw, Ontonagon, Osceola, Oscoda, Otsego, Ottawa, Presque Isle, Roscommon, Saginaw, St. Clare, St. Joseph, Sanilac, Schoolcraft, Shiawassee, Tuscola, Van Buren And Wexford Counties

Power equipment operators: (AIRPORT, BRIDGE & HIGHWAY CONSTRUCTION)	Rates	Fringes
GROUP 1.....	\$ 43.71	25.25
GROUP 2.....	\$ 42.56	25.25
GROUP 3.....	\$ 35.83	25.25
GROUP 4.....	\$ 35.27	25.25

POWER EQUIPMENT OPERATOR CLASSIFICATIONS

GROUP 1: Asphalt plant operator; Crane operator (does not include work on bridge construction projects when the crane operator is erecting structural components); Dragline operator; Shovel operator; Locomotive operator; Paver operator (5 bags or more); Elevating grader operator; Pile driving operator; Roller operator (asphalt); Blade grader operator; Trenching machine operator (ladder or wheel type); Auto-grader; Slip form paver; Self-propelled or tractor-drawn scraper; Conveyor loader operator (Euclid type); Endloader operator (1 yd. capacity and over); Bulldozer; Hoisting engineer; Tractor operator; Finishing machine operator (asphalt); Mechanic; Pump operator (6-in. discharge or over, gas, diesel powered or generator of 300 amp. or larger); Shouldering or gravel distributing machine operator (self- propelled); Backhoe (with over 3/8 yd. bucket); Side boom tractor (type D-4 or equivalent or larger); Tube finisher (slip form paving); Gradall (and similar type machine); Asphalt paver (self- propelled); Asphalt planer (self-propelled); Batch plant (concrete-central mix); Slurry machine (asphalt); Concrete pump (3 in. and over); Roto-mill; Swinging boom truck (over 12 ton capacity); Hydro demolisher (water blaster); Farm-type tractor with attached pan; Vacuum truck operator; Batch Plant (concrete dry batch); Concrete Saw Operator (40h.p. or over; Tractor Operator (farm type); Finishing Machine Operator (concrete); Grader Operator (self-propelled fine grade or form (concrete)).

GROUP 2: Screening plant operator; Washing plant operator; Crusher operator; Backhoe (with 3/8 yd. bucket or less); Side boom tractor (smaller than D-4 type or equivalent); Sweeper (Wayne type and similar equipment); Grease Truck; Air Compressor Operator (600 cu.ft. per min or more); Air Compressor Operator (two or more, less than 600 cfm);

GROUP 3: Boiler fire tender; Tractor operator (farm type with attachment); Concrete Breaker; Wagon Drill Operator;

GROUP 4: Oiler; Fire tender; Trencher (service); Flexplane operator; Cleftplane operator; Boom or winch hoist truck operator; Endloader operator *under 1 yd. capacity); Roller Operator (other than asphalt); Curing equipment operator (self-propelled); Power bin operator; Plant drier (6 ft. wide or over); Guard post driver operator (power driven); All mulching equipment; Stump remover; Concrete pump (under 3-in.); Mesh installer (self-propelled); End dump; Skid Steer.

 ENGI0324-007 05/01/2024

Alger, Baraga, Chippewa, Delta, Dickinson, Gogebic, Houghton, Iron, Keweenaw, Luce, Mackinac Marquette, Menominee, Ontonagon and Schoolcraft Counties:

OPERATOR: Power Equipment (Steel Erection)	Rates	Fringes
Compressor, welder and forklift.....	\$ 40.90	25.00
Crane operator, main boom & jib 120' or longer.....	\$ 47.37	25.00
Crane operator, main boom & jib 140' or longer.....	\$ 47.37	24.60
Crane operator, main boom & jib 220' or longer.....	\$ 48.26	25.00
Mechanic with truck and tools.....	\$ 46.50	25.00
Oiler and fireman.....	\$ 39.96	25.00
Regular operator.....	\$ 44.72	25.00

 ENGI0324-008 10/01/2023 OPERATOR: Power Equipment

Alcona, Alger, Allegan, Alpena, Antrim, Arenac, Baraga, Barry, Bay, Benzie, Berrien, Branch, Calhoun, Cass, Charlevoix, Cheboygan, Chippewa, Clare, Clinton, Crawford, Delta, Dickinson, Eaton, Emmet, Genesee, Gladwin, Gogebic, Grand Traverse, Gratiot, Hillsdale, Houghton, Huron, Ingham, Ionia, Iosco, Iron, Isabella, Jackson, Kalamazoo, Kalkaska, Kent, Keweenaw, Lake, Lapeer, Leelanau, Lenawee, Livingston, Luce, Mackinac, Macomb, Manistee, Marquette, Mason, Mecosta, Menominee, Midland, Missaukee, Montcalm, Montmorency, Monroe, Muskegon, Newaygo, Oakland, Oceana, Ogemaw, Ontonagon, Osceola, Oscoda, Otsego, Ottawa, Presque Isle, Roscommon, Saginaw, St. Clare, St. Joseph, Sanilac, Schoolcraft, Shiawassee, Tuscola, Van Buren, Washtenaw, Wayne And Wexford Counties

(Sewer Relining)	Rates	Fringes
GROUP 1.....	\$ 37.37	15.44
GROUP 2.....	\$ 35.33	15.44

SEWER RELINING CLASSIFICATIONS

GROUP 1: Operation of audio-visual closed circuit TV system, including remote in-ground cutter and other equipment used in connection with the CCTV system

GROUP 2: Operation of hot water heaters and circulation systems, water jetters and vacuum and mechanical debris removal systems

ENGI0325-012 05/01/2024	Rates	Fringes
Power equipment operators - gas distribution and duct installation work:		
GROUP 1.....	\$ 37.98	25.25
GROUP 2.....	\$ 34.75	25.25

SCOPE OF WORK: The construction, installation, treating and reconditioning of pipelines transporting gas vapors within cities, towns, subdivisions, suburban areas, or within private property boundaries, up to and including private meter settings of private industrial, governmental or other premises, more commonly referred to as ""distribution work,"" starting from the first metering station, connection, similar or related facility, of the main or cross country pipeline and including duct installation.

Group 1: Backhoe, crane, grader, mechanic, dozer (D-6 equivalent or larger), side boom (D-4 equivalent or larger), trencher(except service), endloader (2 yd. capacity or greater).

GROUP 2: Dozer (less than D-6 equivalent), endloader (under 2 yd. capacity), side boom (under D-4 capacity), back filler, pumps (1 or 2 of 6-inch discharge or greater), boom truck (with powered boom), tractor (wheel type other than backhoe or front endloader). Tamper (self-propelled), boom truck (with non-powered boom), concrete saw (20 hp or larger), pumps (2 to 4 under 6-inch discharge), compressor (2 or more or when one is used continuously into the second day) and trencher(service). Oiler, hydraulic pipe pushing machine, grease person and hydrostatic testing operator.

IRON0008-007 06/01/2022	Rates	Fringes
Alger, Baraga, Chippewa, Delta, Dickinson, Gogebic, Houghton, Iron, Keweenaw, Luce, Mackinac Marquette, Menominee, Ontonagon and Schoolcraft Counties:		
Ironworker - pre-engineered metal building erector.....	\$ 23.70	6.95

IRONWORKER

General contracts \$10,000,000 or greater.....	\$ 38.14	28.70
General contracts less than \$10,000,000.....	\$ 38.14	28.70

Paid Holidays: New Year's Day, Memorial Day, July 4th, Labor Day, Thanksgiving Day & Christmas Day.

IRON0025-002 06/01/2024	Rates	Fringes
Alcona, Alpena, Arenac, Bay, Cheboygan, Clare, Clinton, Crawford, Genesee, Gladwin, Gratiot, Huron, Ingham, Iosco, Isabella, Jackson, Lapeer, Livingston, Macomb, Midland, Montmorency, Oakland, Ogemaw, Oscoda, Otsego, Presque Isle, Roscommon, Saginaw, Sanilac, Shiawassee, St. Clair, Tuscola, Washtenaw And Wayne Counties:		
Ironworker - pre-engineered metal building erector		

Allegan, Antrim, Barry, Benzie, Branch, Calhoun, Charlevoix, Eaton, Emmet, Grand Traverse, Hillsdale, Ionia, Kalamazoo, Kalkaska, Kent, Lake, Leelanau, Manistee, Mason, Mecosta, Missaukee, Montcalm, Muskegon, Newaygo, Oceana, Osceola, Ottawa, St. Joseph, Van Buren And Wexford Counties:.....	\$ 35.55	33.14
Bay, Genesee, Lapeer, Livingston (east of Burkhardt Road), Macomb, Midland, Oakland, Saginaw, St. Clair, The University of Michigan, Washtenaw (east of U.S. 23) & Wayne.....	\$ 25.81	26.43

IRONWORKER

Ornamental and Structural.....	\$ 34.50	38.44
Reinforcing.....	\$ 32.68	35.15

IRON0055-005 07/01/2022 Lenawee And Monroe Counties:

IRONWORKER	Rates	Fringes
Pre-engineered metal buildings.....	\$ 23.59	19.35
All other work.....	\$ 33.00	27.20

IRON0292-003 06/01/2020 Berrien And Cass Counties:	Rates	Fringes
IRONWORKER (Including pre-engineered metal building erector).....	\$ 31.75	22.84

*LABO0005-006 10/01/2022	Rates	Fringes
Laborers - hazardous waste abatement: (Alcona, Alpena, Antrim, Benzie, Charlevoix, Cheboygan, Crawford, Emmet, Grand Traverse, Iosco, Kalkaska, Leelanau, Missaukee, Montmorency, Oscoda, Otsego, Presque Isle & Wexford Counties - Zone 10)		
Levels A, B or C.....	\$ 17.45	12.75
class b.....	\$ 18.64	12.90
Work performed in conjunction with site preparation not requiring the use of personal protective equipment;		
Also, Level D.....	\$ 16.45**	12.75
class a.....	\$ 17.64	12.90

Laborers - hazardous waste abatement: (Alger, Baraga, Chippewa, Delta, Dickinson, Gogebic, Houghton, Iron, Keweenaw, Luce, Mackinac, Marquette, Menominee, Ontonagon And Schoolcraft Counties - Zone 11)		
Levels A, B or C.....	\$ 25.18	12.90
Work performed in conjunction with site preparation not requiring the use of personal protective equipment;		
Also, Level D.....	\$ 22.58	12.90
Laborers - hazardous waste abatement: (Allegan, Barry, Berrien, Branch, Calhoun, Cass, Ionia County (except the city of Portland); Kalamazoo, Kent, Lake, Manistee, Mason, Mecosta, Montcalm, Muskegon, Newaygo, Oceana, Osceola, Ottawa, St. Joseph And Van Buren Counties - Zone 9)		
Levels A, B or C.....	\$ 21.88	13.26
Work performed in conjunction with site preparation not requiring the use of personal protective equipment;		
Also, Level D.....	\$ 20.80	12.90
Laborers - hazardous waste abatement: (Arenac, Bay, Clare, Gladwin, Gratiot, Huron, Isabella, Midland, Ogemaw, Roscommon, Saginaw And Tuscola Counties - Zone 8)		
Levels A, B or C.....	\$ 23.74	12.95
Work performed in conjunction with site preparation not requiring the use of personal protective equipment;		
Also, Level D.....	\$ 20.80	12.90
Laborers - hazardous waste abatement: (Clinton, Eaton and Ingham Counties; Ionia County (City of Portland); Livingston County (west of Oak Grove Rd., including the City of Howell) - Zone 6)		
Levels A, B or C.....	\$ 26.33	12.95
Work performed in conjunction with site preparation not requiring the use of personal protective equipment;		
Also, Level D.....	\$ 24.64	12.90
Laborers - hazardous waste abatement: (Genesee, Lapeer and Shiawassee Counties - Zone 7)		
Levels A, B or C.....	\$ 24.20	13.80
Work performed in conjunction with site preparation not requiring the use of personal protective equipment;		
Also, Level D.....	\$ 23.20	13.80
Laborers - hazardous waste abatement: (Hillsdale, Jackson And Lenawee Counties - Zone 4)		
Levels A, B or C.....	\$ 27.13	14.95
Work performed in conjunction with site preparation not requiring the use of personal protective equipment;		
Also, Level D.....	\$ 24.17	12.90
Laborers - hazardous waste abatement: (Livingston County (east of Oak Grove Rd. and south of M-59, excluding the city of Howell); and Washtenaw County - Zone 3)		
Levels A, B or C.....	\$ 29.93	14.20
Work performed in conjunction with site preparation not requiring the use of personal protective equipment;		
Also, Level D.....	\$ 28.93	14.20
Laborers - hazardous waste abatement: (Macomb and Wayne Counties - Zone 1)		
Levels A, B or C.....	\$ 29.93	16.90
Work performed in conjunction with site preparation not requiring the use of personal protective equipment;		
Also, Level D.....	\$ 28.93	16.90
Laborers - hazardous waste abatement: (Monroe County - Zone 4)		
Levels A, B or C.....	\$ 31.75	14.90
Work performed in conjunction with site preparation not requiring the use of personal protective equipment;		
Also, Level D.....	\$ 31.75	14.90
Laborers - hazardous waste abatement: (Oakland County and the Northeast portion of Livingston County bordered by Oak Grove Road on the West and M-59 on the South - Zone 2)		
Level A, B, C.....	\$ 29.93	16.90
Work performed in conjunction with site preparation not requiring the use of personal protective equipment;		
Also, Level D.....	\$ 28.93	16.90
Laborers - hazardous waste abatement: (Sanilac and St. Clair Counties - Zone 5)		
Levels A, B or C.....	\$ 26.21	16.62
Work performed in conjunction with site preparation not requiring the use of personal protective equipment;		
Also, Level D.....	\$ 24.75	16.35

LABO0259-001 09/01/2023 Laborers - tunnel, shaft and caisson:

AREA 1: Macomb, Oakland And Wayne Counties

AREA 2: Alcona, Alger, Allegan, Alpena, Antrim, Arenac, Baraga, Barry, Bay, Benzie, Berrien, Branch, Calhoun, Cass, Charlevoix, Cheboygan, Chippewa, Clare, Clinton, Crawford, Delta, Dickinson, Eaton, Emmet, Genesee, Gladwin, Gogebic, Grand Traverse, Gratiot, Hillsdale, Houghton, Huron, Ingham, Ionia, Iosco, Iron, Isabella, Jackson, Kalamazoo, Kalkaska, Kent, Keweenaw, Lake, Lapeer, Leelanau, Lenawee, Livingston, Luce, Mackinac, Manistee, Marquette, Mason, Mecosta, Menominee, Midland, Missaukee, Monroe, Montcalm, Montmorency, Muskegon, Newaygo, Oceana, Ogemaw, Ontonagon, Osceola, Oscoda, Otsego, Ottawa, Presque Isle, Roscommon, Saginaw, St. Clair, St. Joseph, Sanilac, Schoolcraft, Shiawassee, Tuscola, Van Buren, Washtenaw And Wexford Counties

AREA 1	Rates	Fringes	GROUP 4.....	\$ 23.97	16.93
GROUP 1.....	\$ 23.62	16.93	GROUP 5.....	\$ 24.22	16.93
GROUP 2.....	\$ 23.73	19.93	GROUP 6.....	\$ 24.55	16.93
GROUP 3.....	\$ 23.79	16.93	GROUP 7.....	\$ 17.83	16.93

AREA 2	Rates	Fringes	GROUP 4.....	\$ 29.57	16.93
GROUP 1.....	\$ 27.57	16.93	GROUP 5.....	\$ 25.76	16.93
GROUP 2.....	\$ 25.24	16.93	GROUP 6.....	\$ 26.07	16.93
GROUP 3.....	\$ 25.34	16.93	GROUP 7.....	\$ 25.57	16.93

SCOPE OF WORK: Tunnel, shaft and caisson work of every type and description and all operations incidental thereto, including, but not limited to, shafts and tunnels for sewers, water, subways, transportation, diversion, sewerage, caverns, shelters, aquifers, reservoirs, missile silos and steel sheeting for underground construction.

TUNNEL LABORER CLASSIFICATIONS

GROUP 1: Tunnel, shaft and caisson laborer, dump, shanty, hog house tender, testing (on gas) and watchman

GROUP 2: Manhole, headwall, catch basin builder, bricklayer tender, mortar machine and material mixer

GROUP 3: Air tool operator (jackhammer, bush hammer and grinder), first bottom, second bottom, cage tender, car pusher, carrier, concrete, concrete form, concrete repair, cement invert laborer, cement finisher, concrete shoveler, conveyor, floor, gasoline and electric tool operator, gunite, grout operator, welder, heading dinky person, inside lock tender, pea gravel operator, pump, outside lock tender, scaffold, top signal person, switch person, track, tugger, utility person, vibrator, winch operator, pipe jacking, wagon drill and air track operator and concrete saw operator (under 40 h.p.)

GROUP 4: Tunnel, shaft and caisson mucker, bracer, liner plate, long haul dinky driver and well point

GROUP 5: Tunnel, shaft and caisson miner, drill runner, key board operator, power knife operator, reinforced steel or mesh (e.g. wire mesh, steel mats, dowel bars, etc.)

GROUP 6: Dynamite and powder

GROUP 7: Restoration laborer, seeding, sodding, planting, cutting, mulching and top soil grading; and the restoration of property such as replacing mailboxes, wood chips, planter boxes, flagstones, etc.

LABO0334-001 09/01/2023 Laborers - open cut:

ZONE 1 - Macomb, Oakland and Wayne Counties:

GROUP 1.....	\$ 29.87	16.95	GROUP 5.....	\$ 24.17	16.72
GROUP 2.....	\$ 31.87	16.95	GROUP 6.....	\$ 22.00	16.72
GROUP 3.....	\$ 28.03	16.95	GROUP 7.....	\$ 17.84	16.72
GROUP 4.....	\$ 23.71	16.72			

ZONE 2 - Livingston County (east of M-151 (Oak Grove Rd.)); Monroe and Washtenaw Counties:

GROUP 1.....	\$ 30.70	13.45	GROUP 5.....	\$ 25.25	16.72
GROUP 2.....	\$ 32.70	13.45	GROUP 6.....	\$ 22.55	16.72
GROUP 3.....	\$ 26.89	13.45	GROUP 7.....	\$ 22.11	16.72
GROUP 4.....	\$ 25.10	16.72			

ZONE 3 - Clinton, Eaton, Genesee, Hillsdale And Ingham Counties; Ionia County (City of Portland); Jackson, Lapeer And Lenawee Counties; Livingston County (West Of M-151 Oak Grove Rd.); Sanilac, St. Clair And Shiawassee Counties:

GROUP 1.....	\$ 28.89	13.45	GROUP 5.....	\$ 23.44	16.72
GROUP 2.....	\$ 30.89	13.45	GROUP 6.....	\$ 20.74	16.72
GROUP 3.....	\$ 26.89	13.45	GROUP 7.....	\$ 22.23	16.72
GROUP 4.....	\$ 23.30	16.72			

ZONE 4 - Alcona, Allegan, Alpena, Antrim, Arenac, Barry, Bay, Benzie, Berrien, Branch, Calhoun, Cass, Charlevoix, Cheboygan, Clare, Crawford, Emmet, Gladwin, Grand Traverse, Gratiot & Huron Counties; Ionia County (Except The City Of Portland); Iosco, Isabella, Kalamazoo, Kalkaska, Kent, Lake, Leelanau, Manistee, Mason, Mecosta, Midland, Missaukee, Montcalm, Montmorency, Muskegon, Newaygo, Oceana, Ogemaw, Osceola, Oscoda, Otsego, Ottawa, Presque Isle, Roscommon, Saginaw, St. Joseph, Tuscola, Van Buren & Wexford Counties:

GROUP 1.....	\$ 27.87	13.45	GROUP 5.....	\$ 22.45	16.72
GROUP 2.....	\$ 29.87	13.45	GROUP 6.....	\$ 19.67	16.72
GROUP 3.....	\$ 25.87	13.45	GROUP 7.....	\$ 22.30	16.72
GROUP 4.....	\$ 22.33	16.72			

ZONE 5 - Alger, Baraga, Chippewa, Delta, Dickinson, Gogebic, Houghton, Iron, Keweenaw, Luce, Mackinac, Marquette, Menominee, Ontonagon & Schoolcraft Counties:

GROUP 1.....	\$ 28.09	13.45	GROUP 5.....	\$ 22.64	16.72
GROUP 2.....	\$ 30.09	13.45	GROUP 6.....	\$ 19.99	16.72
GROUP 3.....	\$ 26.09	13.45	GROUP 7.....	\$ 22.45	16.72
GROUP 4.....	\$ 22.56	16.72			

SCOPE OF WORK:

Open cut construction work shall be construed to mean work which requires the excavation of earth including industrial, commercial and residential building site excavation and preparation, land balancing, demolition and removal of concrete and underground appurtenances, grading, paving, sewers, utilities and improvements; retention, oxidation, flocculation and irrigation facilities, and also including but not limited to underground piping, conduits, steel sheeting for underground construction, and all work incidental thereto, and general excavation. For all areas except the Upper Peninsula, open cut construction work shall also be construed to mean waterfront work, piers, docks, seawalls, break walls, marinas and all incidental work. Open cut construction work shall not include any structural modifications, alterations, additions and repairs to buildings, or highway work, including roads, streets, bridge construction and parking lots or steel erection work and excavation for the building itself and back filling inside of and within 5 ft. of the building and foundations, footings and piers for the building. Open cut construction work shall not include any work covered under Tunnel, Shaft and Caisson work.

OPEN CUT LABORER CLASSIFICATIONS

GROUP 1: Construction laborer

GROUP 2: Mortar and material mixer, concrete form person, signal person, well point person, manhole, headwall and catch basin builder, headwall, seawall, breakwall and dock builder

GROUP 3: Air, gasoline and electric tool operator, vibrator operator, driller, pump person, tar kettle operator, bracer, rodder, reinforced steel or mesh person (e.g., wire mesh, steel mats, dowel bars, etc.), welder, pipe jacking and boring person, wagon drill and air track operator and concrete saw operator (under 40 h.p.), windlass and tugger person and directional boring person

GROUP 4: Trench or excavating grade person

GROUP 5: Pipe layer (including crock, metal pipe, multi-plate or other conduits)

GROUP 6: Grouting man, audio-visual television operations and all other operations in connection with closed circuit television inspection, pipe cleaning and pipe relining work and the installation and repair of water service pipe and appurtenances

GROUP 7: Restoration laborer, seeding, sodding, planting, cutting, mulching and top soil grading; and the restoration of property such as replacing mailboxes, wood chips, planter boxes, flagstones, etc.

LABO0465-001 06/01/2024

LABORER: Highway, Bridge and Airport Construction

AREA 1: Genesee, Macomb, Monroe, Oakland, Washtenaw And Wayne Counties

AREA 2: Allegan, Barry, Bay, Berrien, Branch, Calhoun, Cass, Clinton, Eaton, Gratiot, Hillsdale, Huron, Ingham, Jackson, Kalamazoo, Lapeer, Lenawee, Livingston, Midland, Muskegon, Saginaw, Sanilac, Shiawassee, St. Clair, St. Joseph, Tuscola and Van Buren Counties

AREA 3: Alcona, Alpena, Antrim, Arenac, Benzie, Charlevoix, Cheboygan, Clare, Crawford, Emmet, Gladwin, Grand Traverse, Ionia, Iosco, Isabella, Kalkaska, Kent, Lake, Leelanau, Manistee, Mason, Mecosta, Missaukee, Montcalm, Montmorency, Newaygo, Oceana, Ogemaw, Osceola, Oscoda, Otsego, Ottawa, Presque Isle, Roscommon And Wexford Counties

AREA 4: Alger, Baraga, Chippewa, Delta, Dickinson, Gogebic, Houghton, Iron, Keweenaw, Luce, Mackinac, Marquette, Menominee, Ontonagon And Schoolcraft Counties

LABORER (AREA 1)	Rates	Fringes	LABORER (AREA 3)	Rates	Fringes
GROUP 1.....	\$ 34.01	14.45	GROUP 1.....	\$ 31.12	14.45
GROUP 2.....	\$ 34.14	14.45	GROUP 2.....	\$ 31.33	14.45
GROUP 3.....	\$ 34.32	14.45	GROUP 3.....	\$ 31.62	14.45
GROUP 4.....	\$ 34.40	14.45	GROUP 4.....	\$ 32.06	14.45
GROUP 5.....	\$ 34.61	14.45	GROUP 5.....	\$ 31.68	14.45
GROUP 6.....	\$ 34.91	14.45	GROUP 6.....	\$ 32.11	14.45
LABORER (AREA 2)	Rates	Fringes	LABORER (AREA 4)	Rates	Fringes
GROUP 1.....	\$ 31.87	14.45	GROUP 1.....	\$ 32.02	14.45
GROUP 2.....	\$ 32.07	14.45	GROUP 2.....	\$ 31.73	14.45
GROUP 3.....	\$ 32.31	14.45	GROUP 3.....	\$ 32.52	14.45
GROUP 4.....	\$ 32.66	14.45	GROUP 4.....	\$ 32.96	14.45
GROUP 5.....	\$ 32.53	14.45	GROUP 5.....	\$ 32.58	14.45
GROUP 6.....	\$ 32.87	14.45	GROUP 6.....	\$ 33.01	14.45

LABORER CLASSIFICATIONS

GROUP 1: Asphalt shoveler or loader; asphalt plant misc.; burlap person; yard person; dumper (wagon, truck, etc.); joint filling laborer; miscellaneous laborer; unskilled laborer; sprinkler laborer; form setting laborer; form stripper; pavement reinforcing; handling and placing (e.g., wire mesh, steel mats, dowel bars); mason's tender or bricklayer's tender on manholes; manhole builder; headwalls, etc.; waterproofing, (other than buildings) seal coating and slurry mix, shoring, underpinning; pressure grouting; bridge pin and hanger removal; material recycling laborer; horizontal paver laborer (brick, concrete, clay, stone and asphalt); ground stabilization and modification laborer; grouting; waterblasting; top person; railroad track and trestle laborer; carpenters' tender; guard rail builders' tender; earth retention barrier and wall and M.S.E. wall installer's tender; highway and median installer's tender (including sound, retaining, and crash barriers); fence erector's tender; asphalt raker tender; sign installer; remote control operated equipment.

GROUP 2: Mixer operator (less than 5 sacks); air or electric tool operator (jackhammer, etc.); spreader; box person (asphalt, stone, gravel); concrete padder; power chain saw operator; paving batch truck dumper; tunnel mucker (highway work only); concrete saw (under 40 h.p.) and dry pack machine; roto-mill grounds person.

GROUP 3: Tunnel miner (highway work only); finishers tenders; guard rail builders; highway and median barrier installer; earth retention barrier and wall and M.S.E. wall installer's (including sound, retaining and crash barriers); fence erector; bottom person; powder person; wagon drill and air track operator; diamond and core drills; grade checker; certified welders; curb and side rail setter's tender.

GROUP 4: Asphalt raker

GROUP 5: Pipe layers, oxy-gun

GROUP 6: Line-form setter for curb or pavement; asphalt screed checker/screw man on asphalt paving machines.

LABO1076-005 04/01/2024 MICHIGAN STATEWIDE LABORER (DISTRIBUTION WORK)	Rates	Fringes
Zone 1.....	\$ 27.16	13.45
Zone 2.....	\$ 25.42	13.45
Zone 3.....	\$ 23.55	13.45
Zone 4.....	\$ 22.92	13.45
Zone 5.....	\$ 22.95	13.45

DISTRIBUTION WORK - The construction, installation, treating and reconditioning of distribution pipelines transporting coal, oil, gas or other similar materials, vapors or liquids, including pipelines within private property boundaries, up to and including the meter settings on residential, commercial, industrial, institutional, private and public structures. All work covering pumping stations and tank farms not covered by the Building Trades Agreement. Other distribution lines with the exception of sewer, water and cable television are included.

Underground Duct Layer Pay: \$.40 per hour above the base pay rate.

Zone 1 - Macomb, Oakland and Wayne

Zone 2 - Monroe and Washtenaw

Zone 3 - Bay, Genesee, Lapeer, Midland, Saginaw, Sanilac, Shiawassee and St. Clair

Zone 4 - Alger, Baraga, Chippewa, Delta, Dickinson, Gogebic, Houghton, Iron, Keweenaw, Luce, Mackinac, Marquette, Menominee, Ontonagon and Schoolcraft

Zone 5 - Remaining Counties in Michigan

PAIN0022-002 07/01/2008 Rates Fringes

Hillsdale, Jackson And Lenawee Counties; Livingston County (east of the eastern city limits of Howell, not including the city of Howell, north to the Genesee County line and south to the Washtenaw County line); Macomb, Monroe, Oakland, Washtenaw and Wayne Counties:

PAINTER.....\$ 25.06 14.75

FOOTNOTES: For all spray work and journeyman rigging for spray work, also blowing off, \$0.80 per hour additional (applies only to workers doing rigging for spray work on off the floor work. Does not include setting up or moving rigging on floor surfaces, nor does it apply to workers engaged in covering up or tending spray equipment. For all sandblasting and spray work performed on highway bridges, overpasses, tanks or steel, \$0.80 per hour additional. For all brushing, cleaning and other preparatory work (other than spraying or steeplejack work) at scaffold heights of fifty (50) feet from the ground or higher, \$0.50 per hour additional. For all preparatorial work and painting performed on open steel under forty (40) feet when no scaffolding is involved, \$0.50 per hour additional. For all swing stage work-window jacks and window belts-exterior and interior, \$0.50 per hour additional. For all spray work and sandblaster work to a scaffold height of forty (40) feet above the floor level, \$0.80 per hour additional. For all preparatorial work and painting on all highway bridges or overpasses up to forty (40) feet in height, \$0.50 per hour additional. For all steeplejack work performed where the elevation is forty (40) feet or more, \$1.25 per hour additional.

PAIN0312-001 06/01/2018 PAINTER Rates Fringes

Excludes: Allegan County (Townships of Dorr, Fillmore, Heath, Hopkins, Laketown, Leighton, Manlius, Monterey, Overisel, Salem, Saugatuck and Wayland); Includes: Barry, Berrien, Branch, Calhoun, Cass, Hillsdale, Kalamazoo, St. Joseph, Van Buren

Brush and roller.....\$ 23.74 13.35

Spray, Sandblast, Sign Painting.....\$ 24.94 13.35

PAIN0845-003 05/10/2018 Rates Fringes

Clinton County; Eaton County (does not include the townships of Bellevue and Olivet); Ingham County; Ionia County (East of Hwy. M 66); Livingston County (west of the eastern city limits of Howell, including the city of Howell, north to the Genesee County line and south to the Washtenaw County line); and Shiawassee County (Townships of Bennington, Laingsbury and Perry):

PAINTER.....\$ 25.49 13.74

PAIN0845-015 05/10/2018 Rates Fringes

Muskegon County; Newaygo County (except the Townships of Barton, Big Prairie, Brooks, Croton, Ensley, Everett, Goodwell, Grant, Home, Monroe, Norwich and Wilcox); Oceana County; Ottawa County (except the townships of Allendale, Blendone, Chester, Georgetown, Holland, Jamestown, Olive, Park, Polkton, Port Sheldon, Tallmadge, Wright and Zeeland):

PAINTER.....\$ 25.49 13.74

PAIN0845-018 05/10/2018 Rates Fringes

Allegan County (Townships of Dorr, Fillmore, Heath, Hopkins, Laketown, Leighton, Manlius, Monterey, Overisel, Salem, Saugatuck and Wayland); Ionia County (west of Hwy. M-66); Kent, Mecosta And Montcalm Counties; Newaygo County (Townships of Barton, Big Prairie, Brooks, Croton, Ensley, Everett, Goodwell, Grant, Home, Monroe, Norwich and Wilcox); Osceola County (south of Hwy. #10); Ottawa County (Townships of Allendale, Blendone, Chester, Georgetown, Holland, Jamestown, Olive, Park, Polkton, Port Sheldon, Tallmadge, Wright and Zeeland):

PAINTER.....\$ 25.49 13.74

FOOTNOTES: Lead abatement work: \$1.00 per hour additional.

PAIN1011-003 06/02/2022 Rates Fringes

Alger, Baraga, Chippewa, Delta, Dickinson, Gogebic, Houghton, Iron, Keweenaw, Luce, Mackinac, Marquette, Menominee, Ontonagon & Schoolcraft Counties:

PAINTER.....\$ 24.66 14.99

FOOTNOTES: High pay (bridges, overpasses, watertower): 30 to 80 ft.: \$.65 per hour additional. 80 ft. and over: \$1.30 per hour additional.

PAIN1474-002 06/01/2010 Rates Fringes

Huron County; Lapeer County (East of Hwy. M-53); St. Clair, Sanilac And Tuscola Counties:

PAINTER.....\$ 23.79 12.02

FOOTNOTES: Lead abatement work: \$1.00 per hour additional. Work with any hazardous material: \$1.00 per hour additional. Sandblasting, steam cleaning and acid cleaning: \$1.00 per hour additional. Ladder work at or above 40 ft., scaffold work at or above 40 ft., swing stage, boatswain chair, window jacks and all work performed over a falling height of 40 ft.: \$1.00 per hour additional. Spray gun work, pick pullers and those handling

needles, blowing off by air pressure, and any person rigging (setting up and moving off the ground): \$1.00 per hour additional. Steeplejack, tanks, gas holders, stacks, flag poles, radio towers and beacons, power line towers, bridges, etc.: \$1.00 per hour additional, paid from the ground up.

PAIN1803-003 06/01/2024

Alcona, Alpena, Antrim, Arenac, Bay, Benzie, Charlevoix, Cheboygan, Clare, Crawford, Emmet, Gladwin, Grand Traverse, Gratiot, Iosco, Isabella, Kalkaska, Lake, Leelanau, Manistee, Mason, Midland, Missaukee, Montmorency And Ogemaw Counties; Osceola County (North of Hwy. #10); Oscoda, Otsego, Presque Isle, Roscommon, Saginaw And Wexford Counties:

PAINTER

Rates Fringes

Work performed on water, bridges over water or moving traffic, radio and powerline towers, elevated tanks, steeples, smoke stacks over 40 ft. of falling heights, recovery of lead-based paints and any work associated with industrial plants, except maintenance of industrial plants.....\$ 29.35 19.05

All other work, including maintenance of industrial plant.....\$ 29.35 19.05

FOOTNOTES: Spray painting, sandblasting, blowdown associated with spraying and blasting, water blasting and work involving a swing stage, boatswain chair or spider: \$1.00 per hour additional. All work performed inside tanks, vessels, tank trailers, railroad cars, sewers, smoke stacks, boilers or other spaces having limited egress not including buildings, open top tanks, pits, etc.: \$1.25 per hour additional.

PLAS0514-001 06/01/2023

ZONE 1: Genesee, Livingston, Macomb, Monroe, Oakland, Saginaw, Washtenaw And Wayne Counties

ZONE 2: Alcona, Alger, Allegan, Alpena, Antrim, Arenac, Baraga, Barry, Bay, Benzie, Berrien, Branch, Calhoun, Cass, Charlevoix, Cheboygan, Chippewa, Clare, Clinton, Crawford, Delta, Dickinson, Eaton, Emmet, Gladwin, Gogebic, Grand Traverse, Gratiot, Hillsdale, Houghton, Huron, Ingham, Ionia, Iosco, Iron, Isabella, Jackson, Kalamazoo, Kalkaska, Kent, Keweenaw, Lake, Lapeer, Leelanau, Lenawee, Luce, Mackinac, Manistee, Marquette, Mason, Mecosta, Menominee, Midland, Missaukee, Montcalm, Montmorency, Muskegon, Newaygo, Oceana, Ogemaw, Ontonagon, Osceola, Oscoda, Otsego, Ottawa, Presque Isle, Roscommon, Sanilac, Schoolcraft, Shiawassee, St. Clair, St. Joseph, Tuscola, Van Buren And Wexford Counties

CEMENT MASON/CONCRETE FINISHER

Rates Fringes

ZONE 1.....\$ 33.00 18.51

ZONE 2.....\$ 31.50 18.51

PLUM0190-003 05/01/2015

Rates Fringes

Alcona, Alger, Allegan, Alpena, Antrim, Arenac, Baraga, Barry, Bay, Benzie, Berrien, Branch, Calhoun, Cass, Charlevoix, Cheboygan, Chippewa, Clare, Clinton, Crawford, Delta, Dickinson, Eaton, Emmet, Genesee, Gladwin, Gogebic, Grand Traverse, Gratiot, Hillsdale, Houghton, Huron, Ingham, Ionia, Iosco, Iron, Isabella, Jackson, Kalamazoo, Kalkaska, Kent, Keweenaw, Lake, Lapeer, Leelanau, Lenawee, Livingston, Luce, Mackinac, Macomb, Manistee, Marquette, Mason, Mecosta, Menominee, Midland, Missaukee, Montcalm, Montmorency, Monroe, Muskegon, Newaygo, Oakland, Oceana, Ogemaw, Ontonagon, Osceola, Oscoda, Otsego, Ottawa, Presque Isle, Roscommon, Saginaw, St. Clare, St. Joseph, Sanilac, Schoolcraft, Shiawassee, Tuscola, Van Buren, Washtenaw, Wayne And Wexford Counties

Plumber/Pipefitter - gas distribution pipeline: Welding in conjunction with gas distribution pipeline work.....\$ 33.03 20.19

All other work:.....\$ 24.19 12.28

TEAM0007-004 06/01/2023 TRUCK DRIVER

AREA 1: Alcona, Alger, Allegan, Alpena, Antrim, Arenac, Baraga, Barry, Bay, Benzie, Berrien, Branch, Calhoun, Cass, Charlevoix, Cheboygan, Chippewa, Clare, Clinton, Crawford, Delta, Dickinson, Eaton, Emmet, Gladwin, Gogebic, Grand Traverse, Gratiot, Hillsdale, Houghton, Huron, Ingham, Ionia, Iosco, Iron, Isabella, Jackson, Kalamazoo, Kalkaska, Kent, Keweenaw, Lake, Lapeer, Leelanau, Lenawee, Luce, Mackinac, Manistee, Marquette, Mason, Mecosta, Menominee, Midland, Missaukee, Montcalm, Montmorency, Muskegon, Newaygo, Oceana, Ogemaw, Ontonagon, Osceola, Oscoda, Otsego, Ottawa, Presque Isle, Roscommon, Saginaw, Sanilac, Schoolcraft, Shiawassee, St. Clair, St. Joseph, Tuscola, Van Buren and Wexford Counties

AREA 2: Genesee, Livingston, Macomb, Monroe, Oakland, Washtenaw and Wayne Counties

AREA 1 Rates Fringes

Euclids, double bottoms and lowboys.....\$ 31.55 .75 + a+b

Trucks under 8 cu. yds.....\$ 31.30 .75 + a+b

Trucks, 8 cu. yds. and over.....\$ 31.30 .75 + a+b

AREA 2 Rates Fringes

Euclids, double bottoms and lowboys.....\$ 24.895 .50 + a+b

Euclids, double bottoms and lowboys.....\$ 31.65 .75 + a+b

Trucks under 8 cu. yds.....\$ 31.40 .75 + a+b

Trucks, 8 cu. yds. and over.....\$ 31.50 .75 + a+b

Footnote: a. \$470.70 per week b. \$68.70 daily

TEAM0247-004 04/01/2013 Sign Installer

AREA 1: Alcona, Alger, Allegan, Alpena, Antrim, Arenac, Baraga, Barry, Bay, Benzie, Berrien, Branch, Calhoun, Cass, Charlevoix, Cheboygan, Chippewa, Clare, Clinton, Crawford, Delta, Dickinson, Eaton, Emmet, Gladwin, Gogebic, Grand Traverse, Gratiot, Hillsdale, Houghton, Huron, Ingham, Ionia, Iosco, Iron, Isabella, Jackson, Kalamazoo, Kalkaska, Kent, Keweenaw, Lake, Lapeer, Leelanau, Lenawee, Luce, Mackinac, Manistee, Marquette, Mason, Mecosta, Menominee, Midland, Missaukee, Montcalm, Montmorency, Muskegon, Newaygo, Oceana, Ogemaw, Ontonagon, Osceola, Oscoda, Otsego, Ottawa, Presque Isle, Roscommon, Sanilac, Schoolcraft, Shiawassee, Saginaw, St. Clair, St. Joseph, Tuscola, Van Buren and Wexford Counties

AREA 2: Genesee, Livingston, Macomb, Monroe, Oakland, Washtenaw And Wayne Counties

AREA 1	Rates	Fringes	AREA 2	Rates	Fringes
GROUP 1.....	\$ 21.78	11.83	GROUP 1.....	\$ 22.03	11.83
GROUP 2.....	\$ 25.27	11.8375	GROUP 2.....	\$ 25.02	11.8375

FOOTNOTE: a. \$132.70 per week, plus \$17.80 per day.

SIGN INSTALLER CLASSIFICATIONS:

GROUP 1: performs all necessary labor and uses all tools required to construct and set concrete forms required in the installation of highway and street signs

GROUP 2: performs all miscellaneous labor, uses all hand and power tools, and operates all other equipment, mobile or otherwise, required for the installation of highway and street signs

TEAM0247-010 04/01/2018 TRUCK DRIVER (Underground construction)

AREA 1: Lapeer And Shiawassee Counties

AREA 2: Genesee, Macomb, Monroe, Oakland, St. Clair, Washtenaw And Wayne Counties

AREA 1	Rates	Fringes	AREA 2	Rates	Fringes
GROUP 1.....	\$ 23.82	19.04	GROUP 1.....	\$ 24.12	19.04
GROUP 2.....	\$ 23.91	19.04	GROUP 2.....	\$ 24.26	19.04
GROUP 3.....	\$ 24.12	19.04	GROUP 3.....	\$ 24.45	19.04

PAID HOLIDAYS: New Year's Day, Memorial Day, Fourth of July, Labor Day, Thanksgiving Day and Christmas Day.

SCOPE OF WORK: Excavation, site preparation, land balancing, grading, sewers, utilities and improvements; also including but not limited to, tunnels, underground piping, retention, oxidation, flocculation facilities, conduits, general excavation and steel sheeting for underground construction. Underground construction work shall not include any structural modifications, alterations, additions and repairs to buildings or highway work, including roads, streets, bridge construction and parking lots or steel erection.

TRUCK DRIVER CLASSIFICATIONS

GROUP 1: Truck driver on all trucks (EXCEPT dump trucks of 8 cubic yards capacity or over, pole trailers, semis, low boys, Euclid, double bottom and fuel trucks)

GROUP 2: Truck driver on dump trucks of 8 cubic yards capacity or over, pole trailers, semis and fuel trucks

GROUP 3: Truck driver on low boy, Euclid and double bottom

* SUMI2002-001 05/01/2002

	Rates	Fringes
Flag Person.....	\$ 10.10 **	0.00
LINE PROTECTOR (ZONE 1: Genesee, Macomb, Monroe, Oakland, Washtenaw & Wayne).....	\$ 22.89	13.45
LINE PROTECTOR (ZONE 2: Statewide (Excluding Genesee, Macomb, Monroe, Oakland, Washtenaw & Wayne).....	\$ 20.19	13.45
Pavement Marking Machine (ZONE 1: Genesee, Macomb, Monroe, Oakland, Washtenaw & Wayne Counties) Group 1.....	\$ 30.52	13.45
Pavement Marking Machine (ZONE 1: Genesee, Macomb, Monroe, Oakland, Washtenaw & Wayne) Group 2.....	\$ 27.47	13.45
Pavement Marking Machine (ZONE 2: Statewide (Excl. Genesee, Macomb, Monroe, Oakland, Washtenaw & Wayne Counties) Group 1.....	\$ 26.92	13.45
Pavement Marking Machine (ZONE 2: Statewide (Excluding Genesee, Macomb, Monroe, Oakland, Washtenaw & Wayne) Group 2.....	\$ 24.23	13.45

WORK CLASSIFICATIONS:

PAVEMENT MARKER GROUP 1: Drives or operates a truck mounted striper, grinder, blaster, groover, or thermoplastic melter for the placement or removal of temporary or permanent pavement markings or markers.

PAVEMENT MARKER GROUP 2: Performs all functions involved for the placement or removal of temporary or permanent pavement markings or markers not covered by the classification of Pavement Marker Group 1 or Line Protector.

LINE PROTECTOR: Performs all operations for the protection or removal of temporary or permanent pavement markings or markers in a moving convoy operation not performed by the classification of Pavement Marker Group 1. A moving convoy operation is comprised of only Pavement Markers Group 1 and Line Protectors.

WELDERS - Receive rate prescribed for craft performing operation to which welding is incidental.

** Workers in this classification may be entitled to a higher minimum wage under Executive Order 14026 (\$17.20) or 13658 (\$12.90).

Please see the Note at the top of the wage determination for more information.

Note: Executive Order (EO) 13706, Establishing Paid Sick Leave for Federal Contractors applies to all contracts subject to the Davis-Bacon Act for which the contract is awarded (and any solicitation was issued) on or after January 1, 2017. If this contract is covered by the EO, the contractor must provide employees with 1 hour of paid sick leave for every 30 hours they work, up to 56 hours of paid sick leave each year. Employees must be permitted to use paid sick leave for their own illness, injury or other health-related needs, including preventive care; to assist a family member (or person who is like family to the employee) who is ill, injured, or has other health-related needs, including preventive care; or for reasons resulting from, or to assist a family member (or person who is like family to the employee) who is a victim of, domestic violence, sexual assault, or stalking. Additional information on contractor requirements and worker protections under the EO is available at <https://www.dol.gov/agencies/whd/government-contracts>.

Unlisted classifications needed for work not included within the scope of the classifications listed may be added after award only as provided in the labor standards contract clauses (29CFR 5.5 (a) (1) (ii)).

The body of each wage determination lists the classification and wage rates that have been found to be prevailing for the cited type(s) of construction in the area covered by the wage determination. The classifications are listed in alphabetical order of ""identifiers"" that indicate

whether the particular rate is a union rate (current union negotiated rate for local), a survey rate (weighted average rate) or a union average rate (weighted union average rate).

Union Rate Identifiers

A four-letter classification abbreviation identifier enclosed in dotted lines beginning with characters other than ""SU"" or ""UAVG"" denotes that the union classification and rate were prevailing for that classification in the survey. Example: PLUM0198-005 07/01/2014. PLUM is an abbreviation identifier of the union which prevailed in the survey for this classification, which in this example would be Plumbers. 0198 indicates the local union number or district council number where applicable, i.e., Plumbers Local 0198. The next number, 005 in the example, is an internal number used in processing the wage determination. 07/01/2014 is the effective date of the most current negotiated rate, which in this example is July 1, 2014.

Union prevailing wage rates are updated to reflect all rate changes in the collective bargaining agreement (CBA) governing this classification and rate.

Survey Rate Identifiers

Classifications listed under the ""SU"" identifier indicate that no one rate prevailed for this classification in the survey and the published rate is derived by computing a weighted average rate based on all the rates reported in the survey for that classification. As this weighted average rate includes all rates reported in the survey, it may include both union and non-union rates. Example: SULA2012-007 5/13/2014. SU indicates the rates are survey rates based on a weighted average calculation of rates and are not majority rates. LA indicates the State of Louisiana. 2012 is the year of survey on which these classifications and rates are based. The next number, 007 in the example, is an internal number used in producing the wage determination. 5/13/2014 indicates the survey completion date for the classifications and rates under that identifier.

Survey wage rates are not updated and remain in effect until a new survey is conducted.

Union Average Rate Identifiers

Classification(s) listed under the UAVG identifier indicate that no single majority rate prevailed for those classifications; however, 100% of the data reported for the classifications was union data. EXAMPLE: UAVG-OH-0010 08/29/2014. UAVG indicates that the rate is a weighted union average rate. OH indicates the state. The next number, 0010 in the example, is an internal number used in producing the wage determination. 08/29/2014 indicates the survey completion date for the classifications and rates under that identifier.

A UAVG rate will be updated once a year, usually in January of each year, to reflect a weighted average of the current negotiated/CBA rate of the union locals from which the rate is based.

WAGE DETERMINATION APPEALS PROCESS

1.) Has there been an initial decision in the matter? This can be:

- * an existing published wage determination
- * a survey underlying a wage determination
- * a Wage and Hour Division letter setting forth a position on a wage determination matter
- * a conformance (additional classification and rate) ruling

On survey related matters, initial contact, including requests for summaries of surveys, should be with the Wage and Hour National Office because National Office has responsibility for the Davis-Bacon survey program. If the response from this initial contact is not satisfactory, then the process described in 2.) and 3.) should be followed.

With regard to any other matter not yet ripe for the formal process described here, initial contact should be with the Branch of Construction Wage Determinations. Write to:

Branch of Construction Wage Determinations
Wage and Hour Division
U.S. Department of Labor
200 Constitution Avenue, N.W.
Washington, DC 20210

2.) If the answer to the question in 1.) is yes, then an interested party (those affected by the action) can request review and reconsideration from the Wage and Hour Administrator (See 29 CFR Part 1.8 and 29 CFR Part 7). Write to:

Wage and Hour Administrator
U.S. Department of Labor
200 Constitution Avenue, N.W.
Washington, DC 20210

The request should be accompanied by a full statement of the interested party's position and by any information (wage payment data, project description, area practice material, etc.) that the requestor considers relevant to the issue.

3.) If the decision of the Administrator is not favorable, an interested party may appeal directly to the Administrative Review Board (formerly the Wage Appeals Board). Write to:

Administrative Review Board
U.S. Department of Labor
200 Constitution Avenue, N.W.
Washington, DC 20210

4.) All decisions by the Administrative Review Board are final.

=====
END OF GENERAL DECISION

Addendum C



Health Department of Northwest Michigan Emmet
 3434 M-119 Suite A
 Harbor Springs, MI 49740
(231) 347-6014

Permit Issued To:
 Little Traverse Bay Bands of Odawa Indians
 7500 Odawa Cir
 Harbor Springs, MI 49740
 (231) 242-1542

Mail Permit To:
 John Givens
 7500 Odawa Cir
 Harbor Springs, MI 49740

Permitted Location:			
Address:	5563 Osborne Rd	Permit Number:	E23-184
County:	Emmet	Permit Type:	Septic Permit
Township:	Readmond	Section:	27
Subdivision:	Lot:	Permit Issued For:	Conventional System
Tax ID #:	24-12-08-27-100-004	Replacement or Repair:	No
		Residential/Non-Residential:	Non-Residential

Design Criteria			
Number of Bedrooms:		Soil Classification:	FS (Fine Sand)
Gallons Per Day:		Seasonal High Water Table:	>72 inches

System Design Specifications							
Septic Tank		Gallons	Proposed changes to permit must be approved prior to installation. Call our office at the number listed above if you have any questions regarding this permit.				
		1000					
Design Type	Absorption Area	Size of Pipe	Number of Trenches	Length of Trenches	Width of Trenches	Max. Depth of Trench Bottom	Pipe Spacing
Trench	666 Sq. Ft.	4"	4	60 Feet	3 Feet	24"	7.5 Feet

Permit Requirements/Conditions:

1. Isolate all portions of the system a minimum of 75' from all water well(s).
2. It is strongly recommended that a sewage effluent filter be installed in the outlet baffle of the septic tank.
3. All riser lids must be manufactured to weigh a minimum of 59# to prevent unauthorized access to septic tanks and pump chambers.
4. Replacement drainfield area is identified directly E of initial drainfield location. Drainfield replacement area should remain in a natural, undisturbed state, free of buildings, driveways, trees, etc.

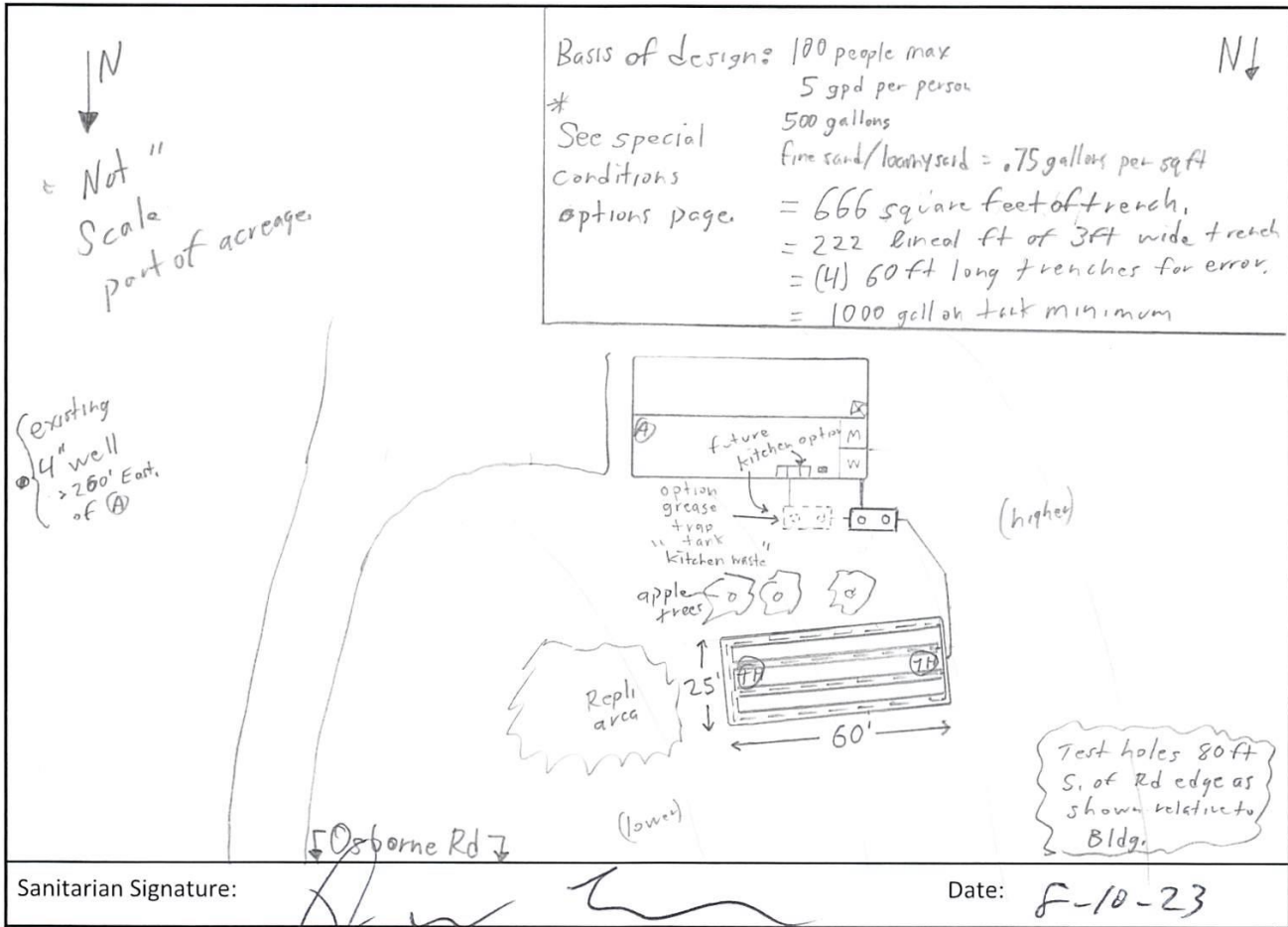
** SEE ATTACHED SPECIAL CONDITIONS/OPTIONS SPEC SHEET **

Issued by: Dan Begnoche, RS
 EH Sanitarian

Date Issued: August 11, 2023
 Permit Expires 2 years from date issued.

Site Plan Drawing Attached or on Reverse Side

Share your experience with us by visiting www.nwhealth.org and completing a client satisfaction survey.



TH – Test Hole, ST – Septic Tank, PC – Pump Chamber, DF – Drainfield, BM – Benchmark, P/L – Property Line, FM - Forcemain

BENCHMARK LOCATION: NA

RELATIVE ELEVATION: _____ ft.
 BENCHMARK ELEVATION: _____ ft.
 BOTTOM OF STONE ELEVATION: _____ ft.

FINAL INSPECTIONS AND APPROVALS (Section 4-15): "...The owner or owner's agent shall notify the Health Officer when the wastewater system is installed and the project is ready for inspection. Notification must be provided a minimum of **TWO (2) WORKING DAYS** prior to anticipated system completion and desired final inspection by the Health Officer..."

BEFORE calling for final inspection: Make sure, at a minimum, the following that apply are **COMPLETED**:

- Septic tank, baffle, filters, solid outlet piping (sch40/SDR35), pump chamber and risers Installed
- Riser Lids comply with **59 pound** weight standard (ASTM 1227 70-C).
- Pump installation is complete and ready for inspection
- Pump chamber is full of water and ready for pressure test, **if applicable**
- Alarm and floats are functional and energized
- All drainfield materials are installed and ready for inspection
- Filter Fabric is placed over stone

Fees may be charged for incomplete installations that require follow-up inspections for system Approval