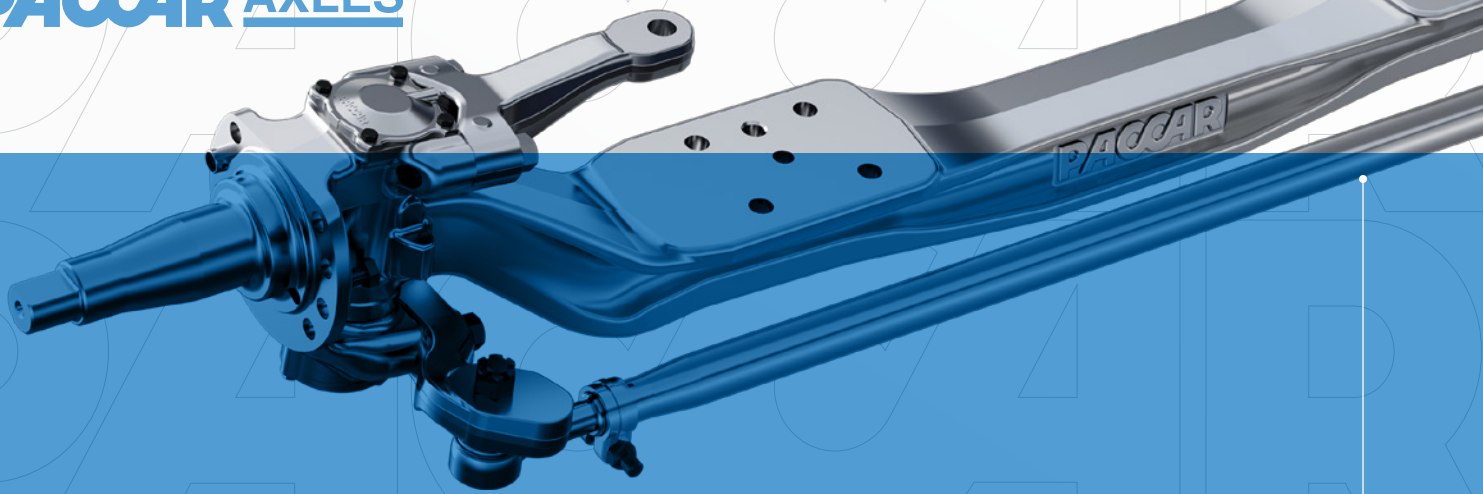


PACCAR AXLES



PACCAR FX-20 + PACCAR FX-22

EXCEPTIONAL PERFORMANCE IN MULTIPLE APPLICATIONS

The PACCAR front steer axle delivers a lightweight and durable option to enhance customer vehicle payload. Available with weight ratings from 20,000 to 22,000 pounds, the front axle is designed for demanding applications such as construction, heavy haul, refuse, and other vocational uses. It utilizes innovative, tapered kingpin roller bearings for more efficient operation and improved steering efficiency.

SPECIFICATIONS

WEIGHT RATINGS	20,000 - 22,000 LBS.
SUSPENSION RATING	16,000 - 22,800 LBS.
WARRANTY	5 YRS./750,000 MI.

HIGHLIGHTS

- Robust forged steel** beam construction for long-lasting performance
- Lightweight design** provides increased load capacity for maximum profitability
- Optimal maneuverability** with turn angle up to 50 degrees
- Compatible** with front air disc brakes or drum brakes for outstanding versatility
- Available in a wide-track** or standard configuration to meet a broad range of applications
- Kingpin roller bearing** design for improved steering efficiency and operation

