



US0D1030351S

(12) **United States Design Patent**  
**Thurswell**

(10) **Patent No.:** **US D1,030,351 S**

(45) **Date of Patent:** **\*\* Jun. 11, 2024**

(54) **TRAVEL CASE**

(71) Applicant: **Wouldn't It Be Nice LLC**, Plymouth, MI (US)

(72) Inventor: **Cassandra Thurswell**, Los Angeles, CA (US)

(73) Assignee: **Wouldn't It Be Nice LLC**, Plymouth, MI (US)

(\*\*) Term: **15 Years**

(21) Appl. No.: **29/931,846**

(22) Filed: **Mar. 8, 2024**

(51) **LOC (14) Cl.** ..... **23-06**

(52) **U.S. Cl.**

USPC ..... **D6/536; D3/205; D3/302; D3/901**

(58) **Field of Classification Search**

USPC ..... D3/201, 205, 260, 273, 282, 284, 294, D3/295, 302, 905, 901; D9/770, 782; D26/9; D6/536; D28/83, 73

CPC ..... F21V 35/00; A47K 5/03

See application file for complete search history.

(56) **References Cited**

**U.S. PATENT DOCUMENTS**

D341,501 S \* 11/1993 Tiramani ..... D6/536  
D341,740 S \* 11/1993 Gavin ..... D6/536  
D455,005 S 4/2002 Wolf  
D663,524 S \* 7/2012 Penttinen ..... D3/273

(Continued)

**OTHER PUBLICATIONS**

Instagram, “@MyKitsch Post”, Posted Jan. 20, 2024. (<https://www.instagram.com/mykitsch/p/C2VgprpO2Hk/>) (Year: 2024).\*

Amazon, “3 Pcs Travel Soap Container . . .”, First on sale Mar. 12, 2023. (<https://www.amazon.com/Travel-Container-Traveling-Camping-Outdoor/dp/B0C53P5F74>) (Year: 2023).\*

(Continued)

*Primary Examiner* — April Rivas

(74) *Attorney, Agent, or Firm* — Brooks Kushman P.C.

(57) **CLAIM**

The ornamental design for a travel case, as shown and described.

**DESCRIPTION**

FIG. 1 is a perspective view of an upper half and a lower half of a travel case;

FIG. 2 is a front view of the travel case of FIG. 1;

FIG. 3 is a rear view of the travel case of FIG. 1;

FIG. 4 is a right side view of the travel case of FIG. 1;

FIG. 5 is a left side view of the travel case of FIG. 1;

FIG. 6 is a top view of the travel case of FIG. 1;

FIG. 7 is a bottom view of the travel case of FIG. 1;

FIG. 8 is a perspective view of the upper half of the travel case of FIG. 1;

FIG. 9 is a front view of the upper half of the travel case of FIG. 1;

FIG. 10 is a rear view of the upper half of the travel case of FIG. 1;

FIG. 11 is a right side view of the upper half of the travel case of FIG. 1;

FIG. 12 is a left side view of the upper half of the travel case of FIG. 1;

FIG. 13 is a top view of the upper half of the travel case of FIG. 1;

FIG. 14 is a bottom view of the upper half of the travel case of FIG. 1;

FIG. 15 is a perspective view of the lower half of the travel case of FIG. 1;

FIG. 16 is a front view of the lower half of the travel case of FIG. 1;

FIG. 17 is a rear view of the lower half of the travel case of FIG. 1;

FIG. 18 is a right side view of the lower half of the travel case of FIG. 1;

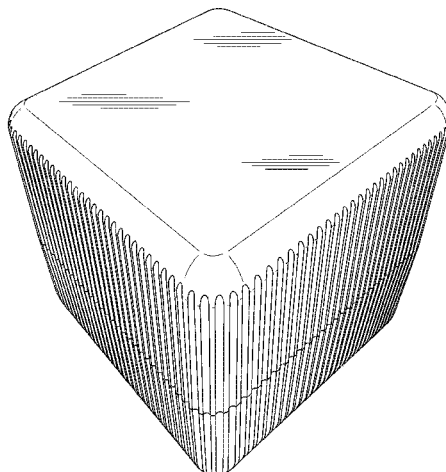
FIG. 19 is a left side view of the lower half of the travel case of FIG. 1;

FIG. 20 is a top view of the lower half of the travel case of FIG. 1; and,

FIG. 21 is a bottom view of the lower half of the travel case of FIG. 1.

Any broken lines are for the purpose of illustrating portions of the travel case that form no part of the claimed design.

**1 Claim, 12 Drawing Sheets**



(56)

**References Cited**

## U.S. PATENT DOCUMENTS

D734,550	S	*	7/2015	Schlatter	.....	D28/83
D817,023	S	*	5/2018	Oliver	.....	D6/536
10,548,381	B2		2/2020	Nedjam		
D878,913	S	*	3/2020	Castellanos	.....	D9/560
D894,588	S		9/2020	Kwok		
D942,690	S	*	2/2022	Lindh	.....	D3/273
D1,001,540	S	*	10/2023	Chen	.....	D6/536
D1,004,278	S	*	11/2023	Chen	.....	D24/229
D1,015,729	S	*	2/2024	Yang	.....	D3/205
D1,018,665	S	*	3/2024	Jiang	.....	D3/273

## OTHER PUBLICATIONS

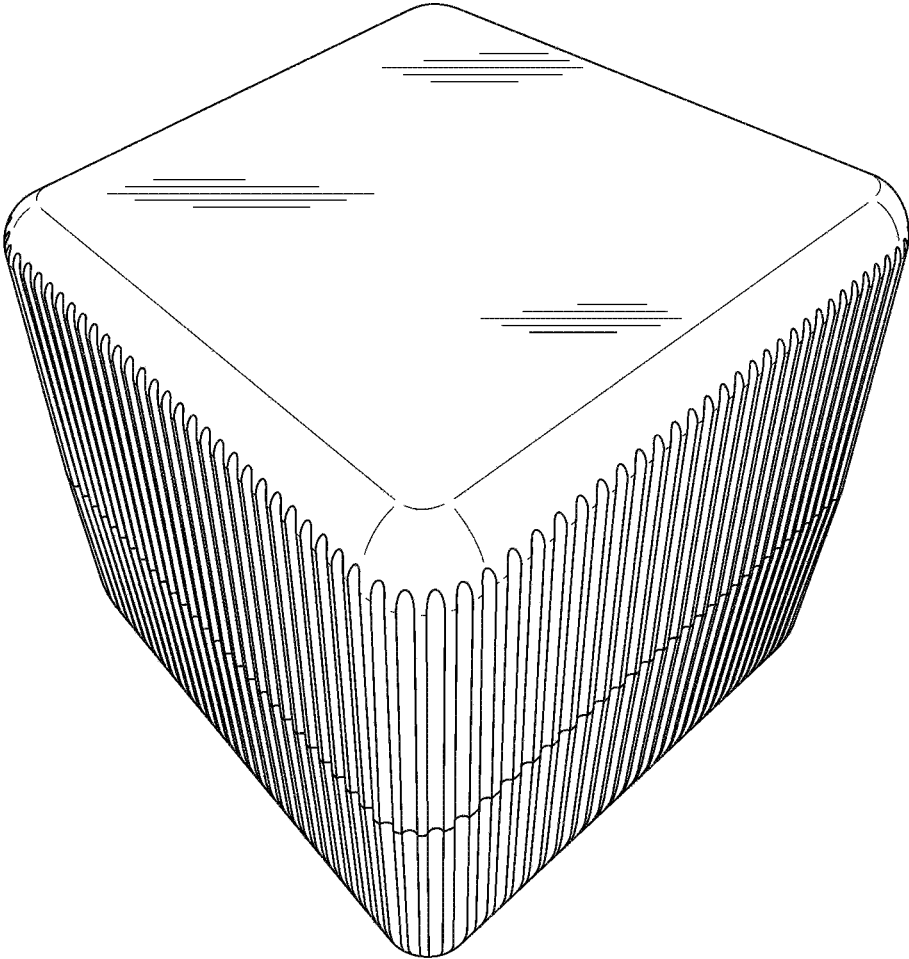
<https://shop.fulfilledlifestyleco.com/products/shampoo-bar-travel-case>, 13 pages, printed on Feb. 27, 2024.

[https://ethique.com/products/in-shower-container-green?tw\\_source=google&tw\\_adid=682097521648&tw\\_campaign=20801698022&gad\\_source=1&g%2%80%A6](https://ethique.com/products/in-shower-container-green?tw_source=google&tw_adid=682097521648&tw_campaign=20801698022&gad_source=1&g%2%80%A6), 7 pages, printed on Feb. 2, 2024.

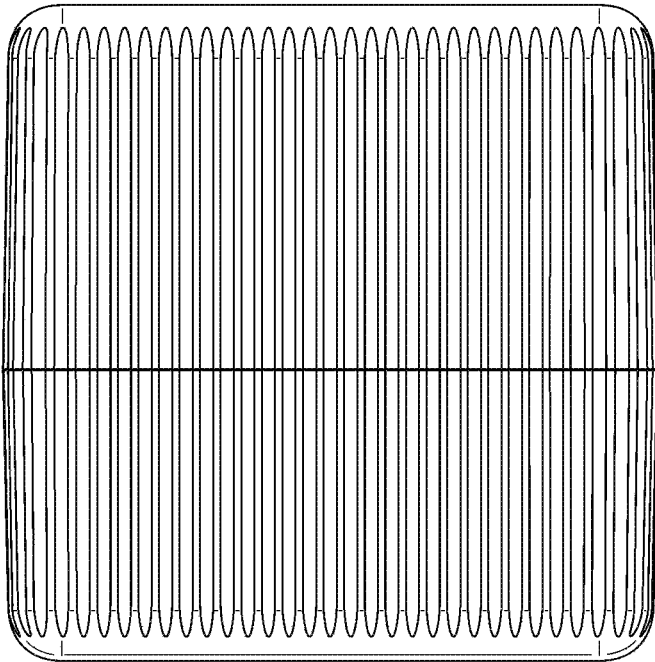
<https://www.amazon.com/TITATI-Silicone-Container-Slip-Resistant-Bathroom/dp/B0CG6ML7MK?th=1>, 9 pages, printed on Feb. 27, 2024.

[https://www.amazon.com/Portable-Bathroom-Outdoor-Fitness-Vonpri/dp/B09KBP7WF6/ref=asc\\_df\\_B09KBP7WF6/?tag=hyprod-20&linkCode=df0&hvadid=642185755151&hvpos=&hvnetw=g&hvrnd=15547580922592438589&hvpone=&hvptwo=&hvqmt=&hvdev=c&hvdvcmdl=&hvlocint=&hvlocphy=9017005&hvtargid=pla-1951392297805&mcid=788894ecb74d3ee3a148e58cf0354182&th=1](https://www.amazon.com/Portable-Bathroom-Outdoor-Fitness-Vonpri/dp/B09KBP7WF6/ref=asc_df_B09KBP7WF6/?tag=hyprod-20&linkCode=df0&hvadid=642185755151&hvpos=&hvnetw=g&hvrnd=15547580922592438589&hvpone=&hvptwo=&hvqmt=&hvdev=c&hvdvcmdl=&hvlocint=&hvlocphy=9017005&hvtargid=pla-1951392297805&mcid=788894ecb74d3ee3a148e58cf0354182&th=1), 10 pages, printed on Feb. 27, 2024.

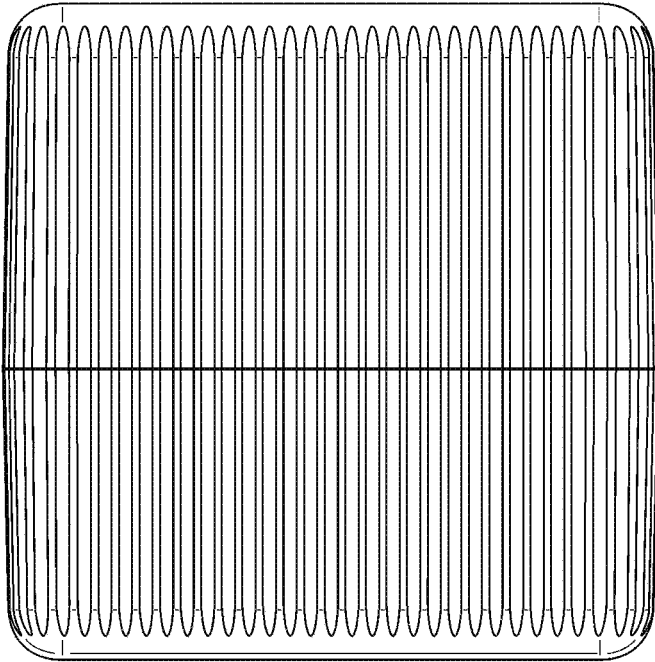
\* cited by examiner



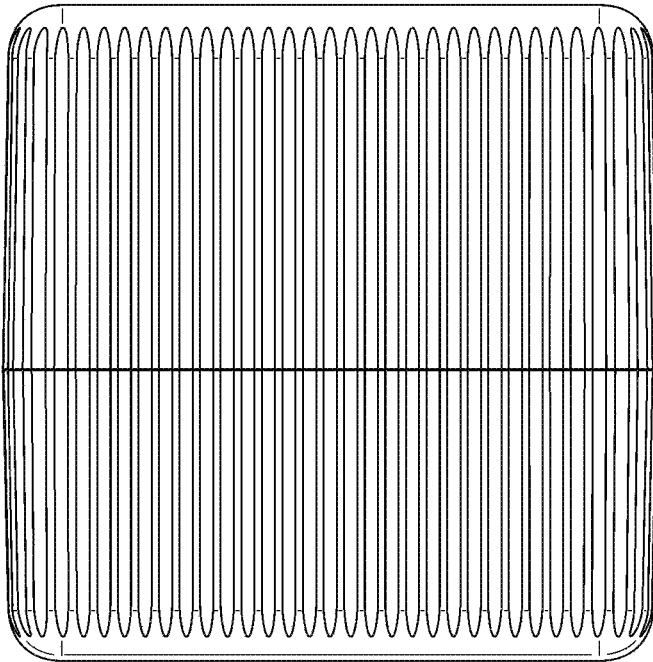
**FIG. 1**



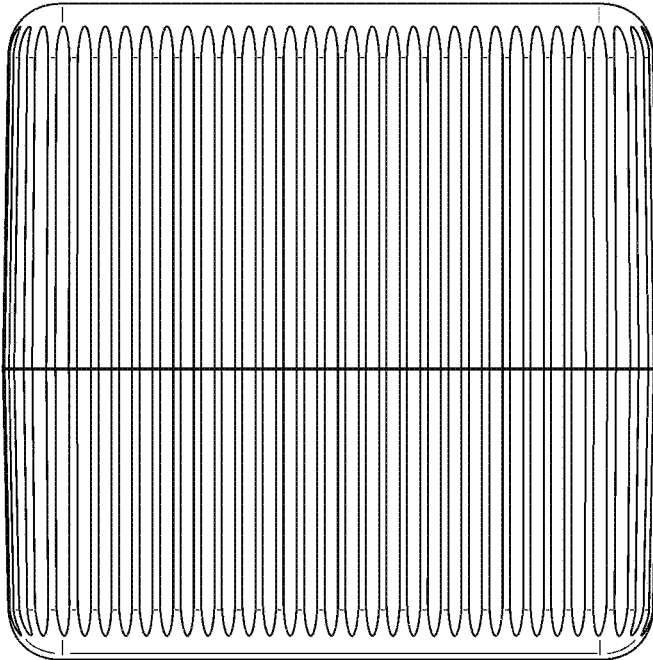
**FIG. 2**



**FIG. 3**



**FIG. 4**



**FIG. 5**

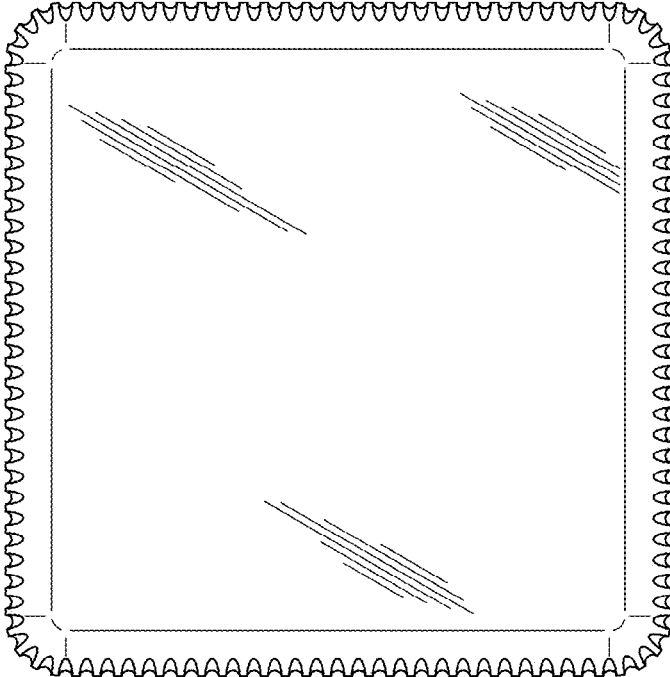


FIG. 6

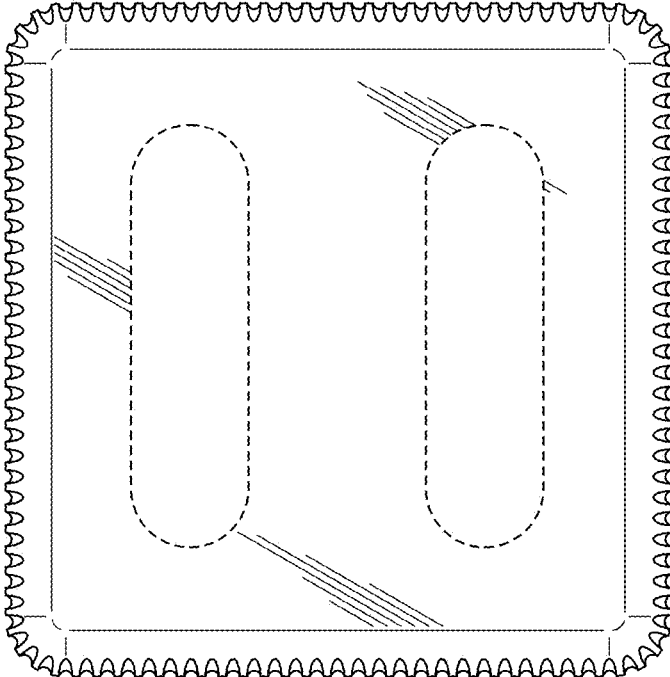
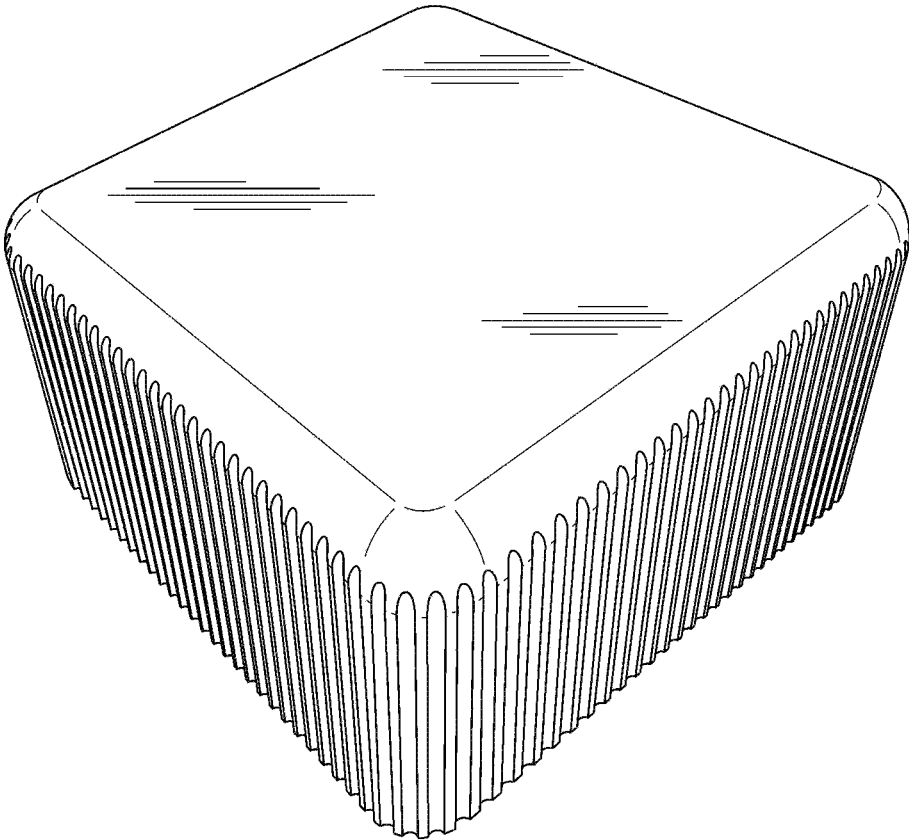
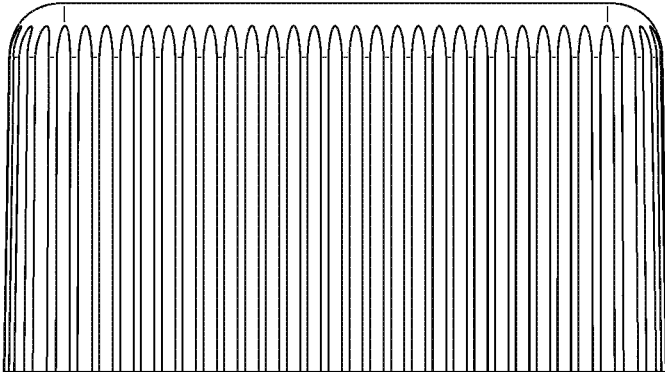


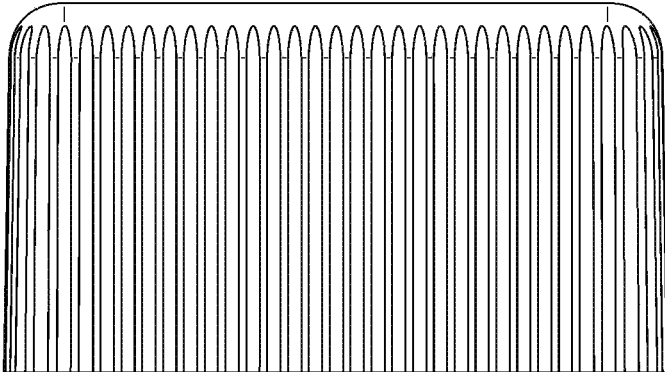
FIG. 7



**FIG. 8**



**FIG. 9**



**FIG. 10**



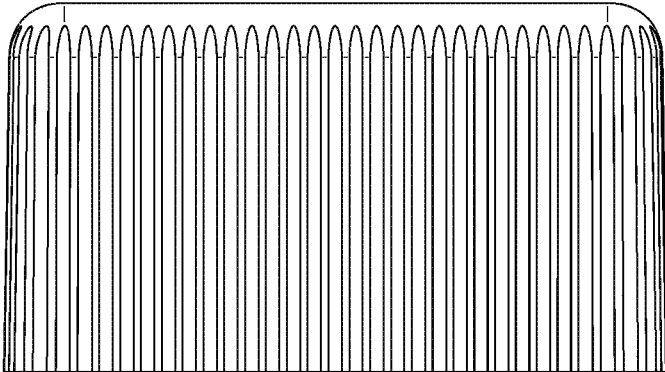


FIG. 11

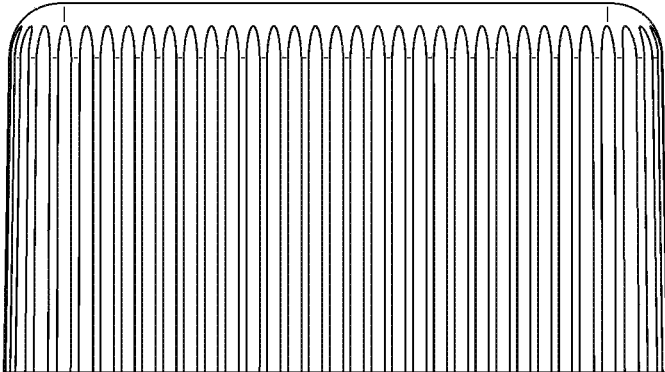


FIG. 12

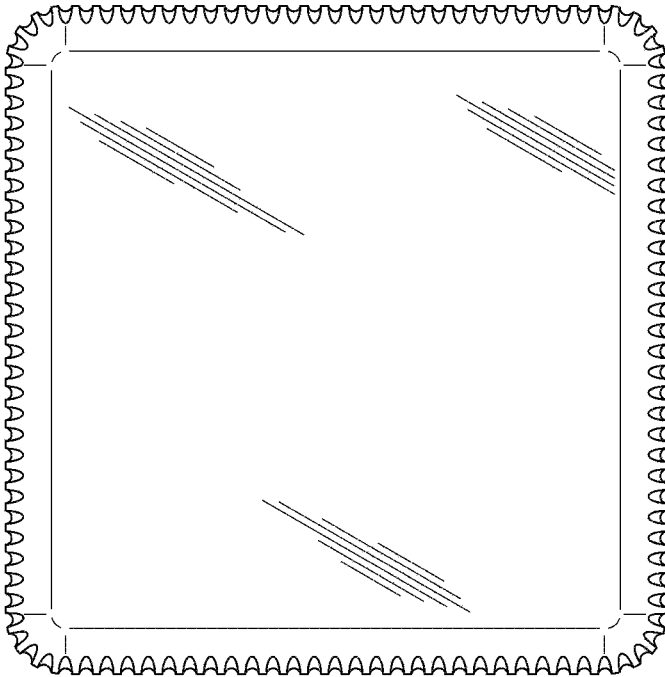


FIG. 13

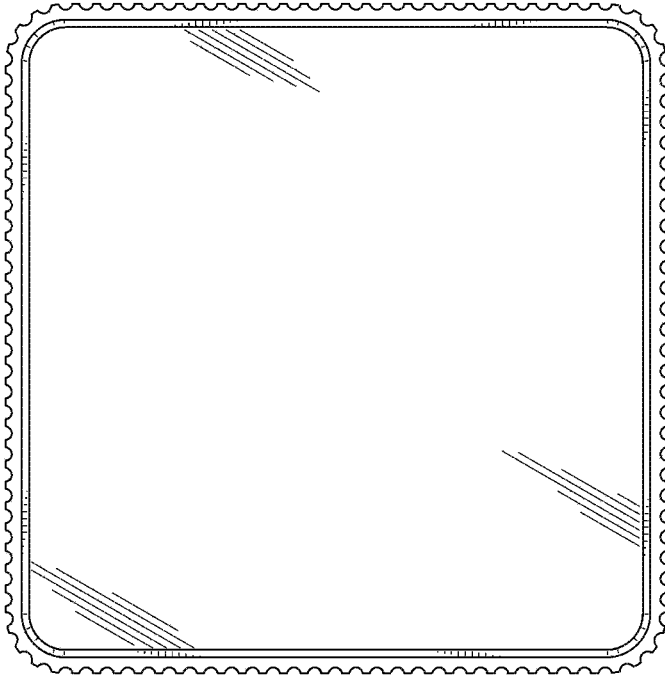
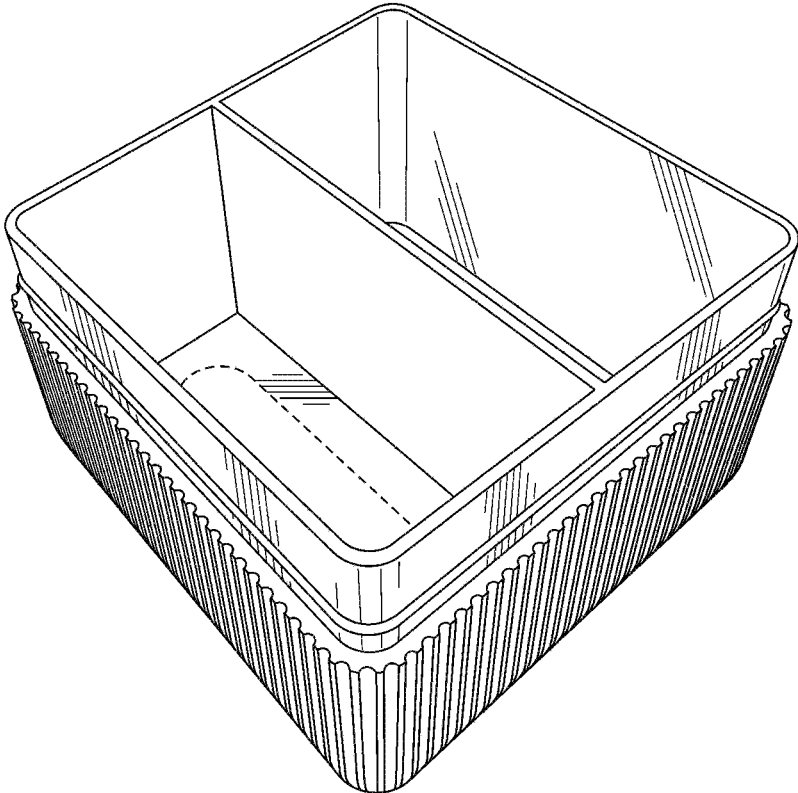
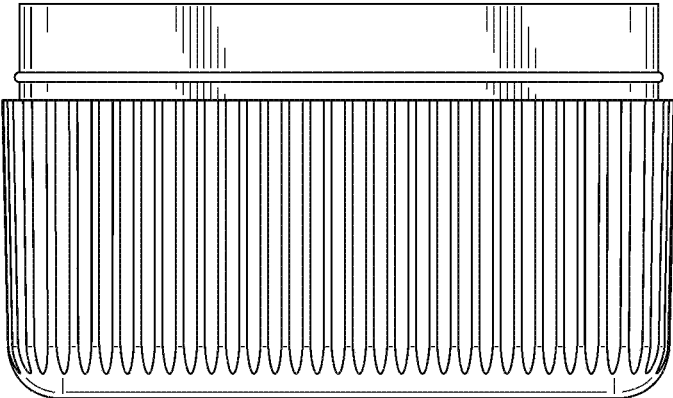


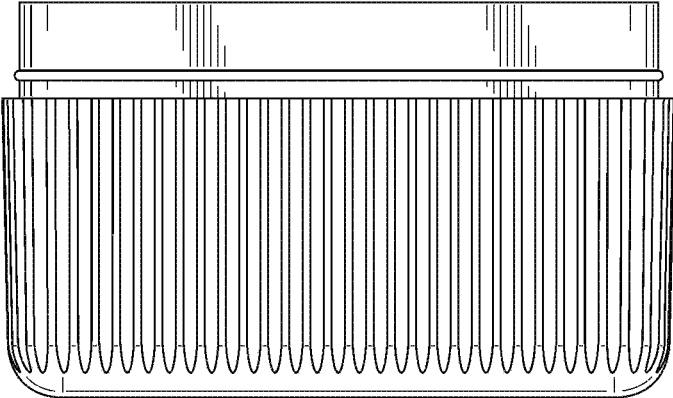
FIG. 14



**FIG. 15**



**FIG. 16**



**FIG. 17**

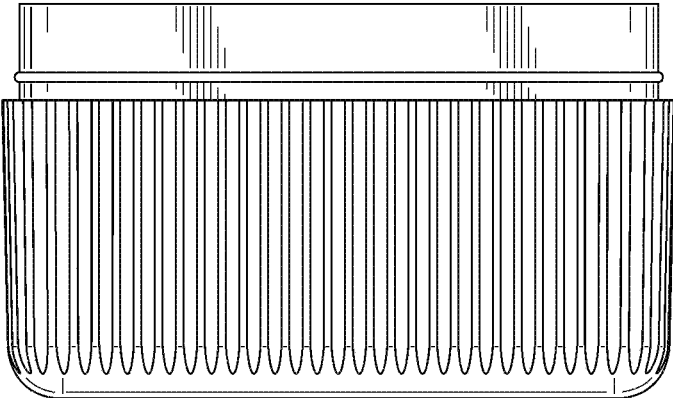


FIG. 18

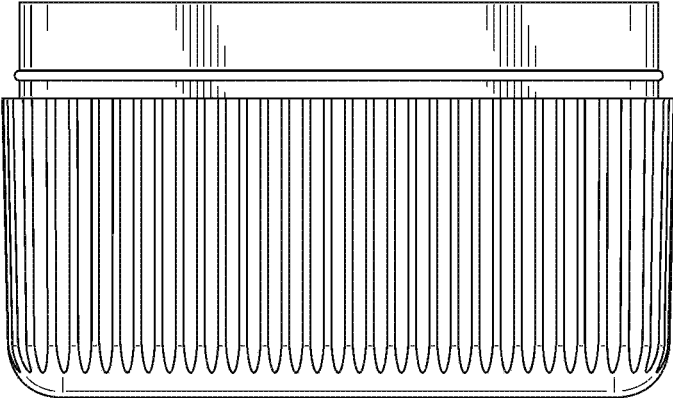


FIG. 19

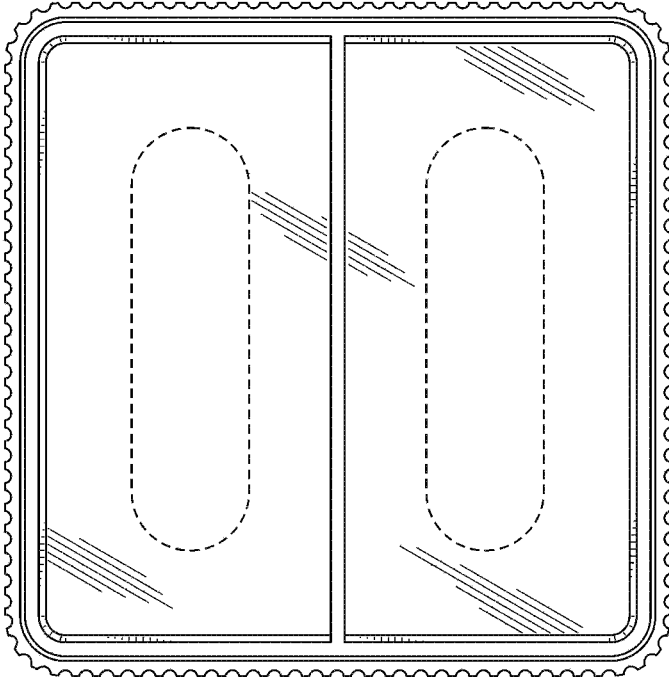


FIG. 20

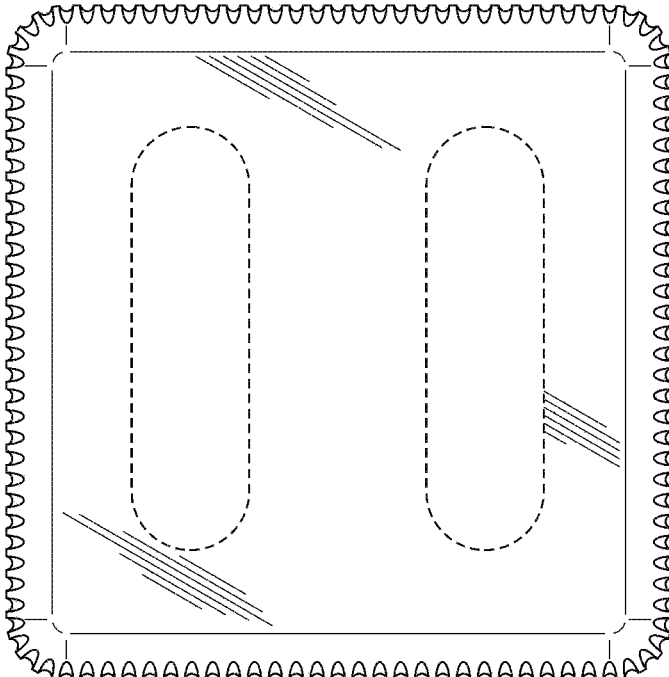


FIG. 21