



US00D896379S

(12) **United States Design Patent**
Shelton, IV et al.

(10) **Patent No.:** US D896,379 S
(45) **Date of Patent:** ** Sep. 15, 2020

(54) **SURGICAL FASTENER CARTRIDGE**

OTHER PUBLICATIONS

- (71) Applicant: **Ethicon LLC**, Guaynabo, PR (US)
- (72) Inventors: **Frederick E. Shelton, IV**, Hillsboro, OH (US); **Jason L. Harris**, Lebanon, OH (US); **Gregory J. Bakos**, Mason, OH (US)
- (73) Assignee: **Ethicon LLC**, Guaynabo, PR (US)
- (**) Term: **15 Years**
- (21) Appl. No.: **29/682,450**
- (22) Filed: **Mar. 5, 2019**

Serial Communication Protocol; Michael Lemmon Feb. 1, 2009; <http://www3.nd.edu/~lemmon/courses/ee224/web-manual/web-manual/lab12/node2.html>; Wayback Machine to Apr. 29, 2012.

(Continued)

Primary Examiner — Wan Laymon

(57) **CLAIM**

The ornamental design for a surgical fastener cartridge, as shown and described.

DESCRIPTION

The Applicant of the present application owns the following U.S. Design Patent Applications that were filed Jun. 24, 2016, which are each herein incorporated by reference in their respective entireties:

U.S. Design patent application Ser. No. 29/569,218, entitled Surgical Fastener, now U.S. Design Pat. No. D826,405; U.S. Design patent application Ser. No. 29/569,227, entitled Surgical Fastener, now U.S. Design Pat. No. D822,206; and U.S. Design patent application Ser. No. 29/569,264, entitled Surgical Fastener Cartridge.

FIG. 1 is a perspective view of a surgical fastener cartridge. FIG. 2 is a top plan view of the surgical fastener cartridge of FIG. 1.

FIG. 3 is a bottom plan view of the surgical fastener cartridge of FIG. 1.

FIG. 4 is a front elevation view of the surgical fastener cartridge of FIG. 1.

FIG. 5 is an enlarged left elevation view of the surgical fastener cartridge of FIG. 1.

FIG. 6 is an enlarged right elevation view of the surgical fastener cartridge of FIG. 1; and,

FIG. 7 is another enlarged perspective view of the surgical fastener cartridge of FIG. 1.

Related U.S. Application Data

(63) Continuation of application No. 29/569,259, filed on Jun. 24, 2016, now Pat. No. Des. 847,989.

(51) **LOC (12) Cl.** **24-02**

(52) **U.S. Cl.**

USPC **D24/145**

(58) **Field of Classification Search**

USPC D24/145

(Continued)

(56) **References Cited**

U.S. PATENT DOCUMENTS

66,052 A 6/1867 Smith
662,587 A 11/1900 Blake

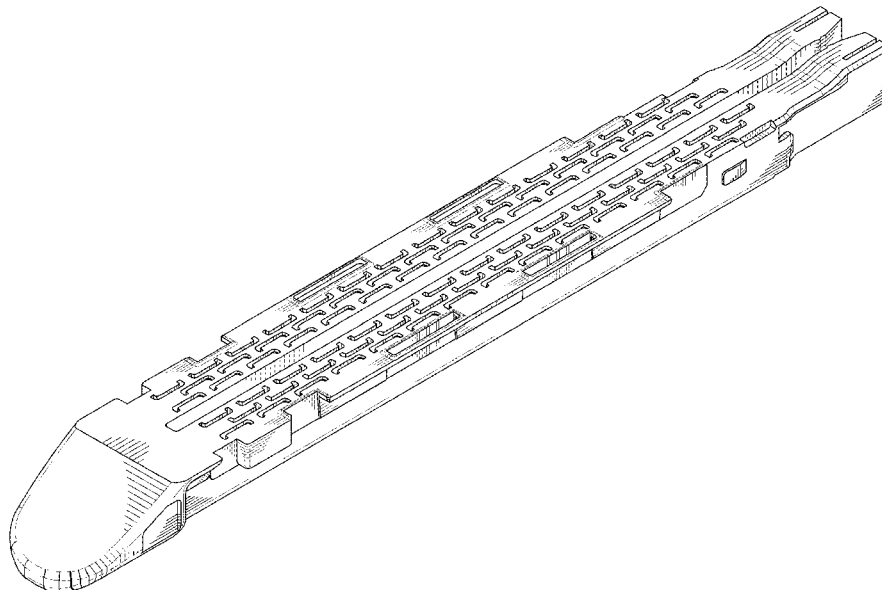
(Continued)

FOREIGN PATENT DOCUMENTS

AU 2011218702 B2 6/2013
AU 2012200178 B2 7/2013

(Continued)

1 Claim, 5 Drawing Sheets



(58)	Field of Classification Search					
	CPC . A61B 17/105; A61B 17/068; A61B 17/0682;		4,304,236 A	12/1981	Conta et al.	
	A61B 17/064; A61B 17/072; A61B		4,305,539 A	12/1981	Korolkov et al.	
	17/07207; A61B 2017/07228; A61B		4,312,685 A	1/1982	Riedl	
	2017/07235; A61B 2017/07242; A61B		4,317,451 A	3/1982	Cerwin et al.	
	2017/07285; A61B 2017/07292		4,319,576 A	3/1982	Rothfuss	
	See application file for complete search history.		4,321,002 A	3/1982	Froehlich	
			4,328,839 A	5/1982	Lyons et al.	
			4,331,277 A	5/1982	Green	
			4,340,331 A	7/1982	Savino	
			4,347,450 A	8/1982	Colligan	
			4,349,028 A	9/1982	Green	
(56)	References Cited		4,353,371 A	10/1982	Cosman	
	U.S. PATENT DOCUMENTS		4,379,457 A	4/1983	Gravener et al.	
	670,748 A	3/1901	Weddeler	4,380,312 A	4/1983	Landrus
	951,393 A	3/1910	Hahn	4,382,326 A	5/1983	Rabuse
	1,306,107 A	6/1919	Elliott	4,383,634 A	5/1983	Green
	1,314,601 A	9/1919	McCaskey	4,393,728 A	7/1983	Larson et al.
	1,677,337 A	7/1928	Grove	4,396,139 A	8/1983	Hall et al.
	1,794,907 A	3/1931	Kelly	4,397,311 A	8/1983	Kanshin et al.
	2,037,727 A	4/1936	La Chapelle	4,402,445 A	9/1983	Green
	2,132,295 A	10/1938	Hawkins	4,408,692 A	10/1983	Sigel et al.
	2,161,632 A	6/1939	Nattenheimer	4,409,057 A	10/1983	Molenda et al.
	2,211,117 A	8/1940	Hess	4,415,112 A	11/1983	Green
	2,214,870 A	9/1940	West	4,416,276 A	11/1983	Newton et al.
	2,318,379 A	5/1943	Davis et al.	4,428,376 A	1/1984	Mericle
	2,441,096 A	5/1948	Happe	4,429,695 A	2/1984	Green
	2,475,322 A	7/1949	Horton et al.	4,434,796 A	3/1984	Karapetian et al.
	2,526,902 A	10/1950	Ruble	4,438,659 A	3/1984	Desplats
	2,578,686 A	12/1951	Fish	4,442,964 A	4/1984	Becht
	2,674,149 A	4/1954	Benson	4,448,194 A	5/1984	DiGiovanni et al.
	2,711,461 A	6/1955	Happe	4,451,743 A	5/1984	Suzuki et al.
	2,804,848 A	9/1957	O'Farrell et al.	4,454,887 A	6/1984	Kruger
	2,808,482 A	10/1957	Zanichkowsky et al.	4,467,805 A	8/1984	Fukuda
	2,853,074 A	9/1958	Olson	4,473,077 A	9/1984	Noiles et al.
	2,886,358 A	5/1959	Munchbach	4,475,679 A	10/1984	Fleury, Jr.
	2,959,974 A	11/1960	Emrick	4,485,816 A	12/1984	Krumme
	3,032,769 A	5/1962	Palmer	4,486,928 A	12/1984	Tucker et al.
	3,060,972 A	10/1962	Sheldon	4,488,523 A	12/1984	Shichman
	3,075,062 A	1/1963	Iaccarino	4,489,875 A	12/1984	Crawford et al.
	3,078,465 A	2/1963	Bobrov	4,499,895 A	2/1985	Takayama
	3,079,606 A	3/1963	Bobrov et al.	4,500,024 A	2/1985	DiGiovanni et al.
	3,166,072 A	1/1965	Sullivan, Jr.	4,505,272 A	3/1985	Utyamyshev et al.
	3,196,869 A	7/1965	Scholl	4,505,273 A	3/1985	Braun et al.
	3,204,731 A	9/1965	Bent et al.	4,505,414 A	3/1985	Filipi
	3,266,494 A	8/1966	Brownrigg et al.	4,506,671 A	3/1985	Green
	3,269,630 A	8/1966	Fleischer	4,520,817 A	6/1985	Green
	3,275,211 A	9/1966	Hirsch et al.	4,522,327 A	6/1985	Korthoff et al.
	3,317,103 A	5/1967	Cullen et al.	4,526,174 A	7/1985	Froehlich
	3,499,591 A	3/1970	Green	4,527,724 A	7/1985	Chow et al.
	3,551,987 A	1/1971	Wilkinson	4,530,453 A	7/1985	Green
	3,583,393 A	6/1971	Takahashi	4,531,522 A	7/1985	Bedi et al.
	3,662,939 A	5/1972	Bryan	4,532,927 A	8/1985	Mikszs, Jr.
	3,717,294 A	2/1973	Green	4,548,202 A	10/1985	Duncan
	3,799,151 A	3/1974	Fukaumi et al.	4,565,109 A	1/1986	Tsay
	3,940,844 A	3/1976	Colby et al.	4,565,189 A	1/1986	Mabuchi
	RE28,932 E	8/1976	Noiles et al.	4,566,620 A	1/1986	Green et al.
	4,014,244 A	3/1977	Larson	4,569,469 A	2/1986	Mongeon et al.
	4,060,089 A	11/1977	Noiles	4,571,213 A	2/1986	Ishimoto
	4,106,446 A	8/1978	Yamada et al.	4,573,468 A	3/1986	Conta et al.
	4,108,211 A	8/1978	Tanaka	4,573,469 A	3/1986	Golden et al.
	4,111,206 A	9/1978	Vishnevsky et al.	4,573,622 A	3/1986	Green et al.
	4,129,059 A	12/1978	Van Eck	4,576,167 A	3/1986	Noiles
	4,169,990 A	10/1979	Lerdman	4,580,712 A	4/1986	Green
	4,180,285 A	12/1979	Reneau	4,585,153 A	4/1986	Failla et al.
	4,198,734 A	4/1980	Brumlik	4,589,416 A	5/1986	Green
	4,198,982 A	4/1980	Fortner et al.	4,591,085 A	5/1986	Di Giovanni
	4,207,898 A	6/1980	Becht	4,597,753 A	7/1986	Turley
	4,213,562 A	7/1980	Garrett et al.	4,600,037 A	7/1986	Hatten
	4,226,242 A	10/1980	Jarvik	4,604,786 A	8/1986	Howie, Jr.
	4,241,861 A	12/1980	Fleischer	4,605,001 A	8/1986	Rothfuss et al.
	4,244,372 A	1/1981	Kapitanov et al.	4,605,004 A	8/1986	Di Giovanni et al.
	4,250,436 A	2/1981	Weissman	4,606,343 A	8/1986	Conta et al.
	4,261,244 A	4/1981	Becht et al.	4,607,638 A	8/1986	Crainich
	4,272,002 A	6/1981	Moshofsky	4,608,981 A	9/1986	Rothfuss et al.
	4,272,662 A	6/1981	Simpson	4,610,250 A	9/1986	Green
	4,274,304 A	6/1981	Curtiss	4,610,383 A	9/1986	Rothfuss et al.
	4,275,813 A	6/1981	Noiles	4,612,933 A	9/1986	Brinkerhoff et al.
	4,289,133 A	9/1981	Rothfuss	D286,180 S	10/1986	Korthoff
	4,296,654 A	10/1981	Mercer	D286,441 S	10/1986	Korthoff et al.

(56)

References Cited

U.S. PATENT DOCUMENTS

D286,442	S	10/1986	Korthoff et al.	4,930,674	A	6/1990	Barak
4,619,262	A	10/1986	Taylor	4,931,047	A	6/1990	Broadwin et al.
4,619,391	A	10/1986	Sharkany et al.	4,932,960	A	6/1990	Green et al.
4,628,459	A	12/1986	Shinohara et al.	4,938,408	A	7/1990	Bedi et al.
4,629,107	A	12/1986	Fedotov et al.	4,941,623	A	7/1990	Pruitt
4,632,290	A	12/1986	Green et al.	4,944,443	A	7/1990	Oddsens et al.
4,633,874	A	1/1987	Chow et al.	4,951,860	A	8/1990	Peters et al.
4,634,419	A	1/1987	Kreizman et al.	4,955,898	A	9/1990	Matsutani et al.
4,641,076	A	2/1987	Linden	4,955,959	A	9/1990	Tompkins et al.
4,643,731	A	2/1987	Eckenhoff	4,965,709	A	10/1990	Ngo
4,646,722	A	3/1987	Silverstein et al.	4,973,274	A	11/1990	Hirukawa
4,652,820	A	3/1987	Maresca	4,978,049	A	12/1990	Green
4,655,222	A	4/1987	Florez et al.	4,978,333	A	12/1990	Broadwin et al.
4,662,555	A	5/1987	Thornton	4,986,808	A	1/1991	Broadwin et al.
4,663,874	A	5/1987	Sano et al.	4,988,334	A	1/1991	Hornlein et al.
4,664,305	A	5/1987	Blake, III et al.	5,002,543	A	3/1991	Bradshaw et al.
4,665,916	A	5/1987	Green	5,002,553	A	3/1991	Shiber
4,667,674	A	5/1987	Korthoff et al.	5,005,754	A	4/1991	Van Overloop
4,669,647	A	6/1987	Storace	5,009,661	A	4/1991	Michelson
4,671,445	A	6/1987	Barker et al.	5,014,899	A	5/1991	Presty et al.
4,676,245	A	6/1987	Fukuda	5,015,227	A	5/1991	Broadwin et al.
4,684,051	A	8/1987	Akopov et al.	5,018,515	A	5/1991	Gilman
4,693,248	A	9/1987	Failla	5,018,657	A	5/1991	Pedlick et al.
4,700,703	A	10/1987	Resnick et al.	5,024,671	A	6/1991	Tu et al.
4,708,141	A	11/1987	Inoue et al.	5,027,834	A	7/1991	Pruitt
4,709,120	A	11/1987	Pearson	5,031,814	A	7/1991	Tompkins et al.
4,715,520	A	12/1987	Roehr, Jr. et al.	5,035,040	A	7/1991	Kerrigan et al.
4,719,917	A	1/1988	Barrows et al.	5,038,109	A	8/1991	Goble et al.
4,727,308	A	2/1988	Huljak et al.	5,040,715	A	8/1991	Green et al.
4,728,020	A	3/1988	Green et al.	5,042,707	A	8/1991	Taheri
4,728,876	A	3/1988	Mongeon et al.	5,053,047	A	10/1991	Yoon
4,729,260	A	3/1988	Dudden	5,061,269	A	10/1991	Muller
4,730,726	A	3/1988	Holzwarth	5,062,563	A	11/1991	Green et al.
4,741,336	A	5/1988	Failla et al.	5,065,929	A	11/1991	Schulze et al.
4,743,214	A	5/1988	Tai-Cheng	5,071,052	A	12/1991	Rodak et al.
4,747,820	A	5/1988	Hornlein et al.	5,071,430	A	12/1991	de Salis et al.
4,750,902	A	6/1988	Wuchinich et al.	5,074,454	A	12/1991	Peters
4,752,024	A	6/1988	Green et al.	5,079,006	A	1/1992	Urquhart
4,754,909	A	7/1988	Barker et al.	5,080,556	A	1/1992	Carreno
4,767,044	A	8/1988	Green	5,083,695	A	1/1992	Foslien et al.
D297,764	S	9/1988	Hunt D24/145	5,084,057	A	1/1992	Green et al.
4,773,420	A	9/1988	Green	5,088,979	A	2/1992	Filipi et al.
4,777,780	A	10/1988	Holzwarth	5,088,997	A	2/1992	Delahuerga et al.
4,781,186	A	11/1988	Simpson et al.	5,089,009	A	2/1992	Green
4,787,387	A	11/1988	Burbank, III et al.	5,094,247	A	3/1992	Hernandez et al.
4,790,225	A	12/1988	Moody et al.	5,100,420	A	3/1992	Green et al.
4,802,478	A	2/1989	Powell	5,104,025	A	4/1992	Main et al.
4,805,617	A	2/1989	Bedi et al.	5,104,397	A	4/1992	Vasconcelos et al.
4,805,823	A	2/1989	Rothfuss	5,106,008	A	4/1992	Tompkins et al.
4,809,695	A	3/1989	Gwathmey et al.	5,108,368	A	4/1992	Hammerslag et al.
4,815,460	A	3/1989	Porat et al.	5,111,987	A	5/1992	Moeinzadeh et al.
4,817,847	A	4/1989	Redtenbacher et al.	5,116,349	A	5/1992	Aranyi
4,819,853	A	4/1989	Green	D327,323	S	6/1992	Hunt
4,821,939	A	4/1989	Green	5,122,156	A	6/1992	Granger et al.
4,827,911	A	5/1989	Broadwin et al.	5,125,876	A	6/1992	Hirota
4,830,855	A	5/1989	Stewart	5,129,570	A	7/1992	Schulze et al.
4,834,720	A	5/1989	Blinkhorn	5,137,198	A	8/1992	Nobis et al.
4,844,068	A	7/1989	Arata et al.	5,139,513	A	8/1992	Segato
4,848,637	A	7/1989	Pruitt	5,141,144	A	8/1992	Foslien et al.
4,865,030	A	9/1989	Polyak	5,142,932	A	9/1992	Moya et al.
4,869,414	A	9/1989	Green et al.	5,155,941	A	10/1992	Takahashi et al.
4,869,415	A	9/1989	Fox	5,156,315	A	10/1992	Green et al.
4,873,977	A	10/1989	Avant et al.	5,156,609	A	10/1992	Nakao et al.
4,874,122	A	10/1989	Froelich et al.	5,156,614	A	10/1992	Green et al.
4,880,015	A	11/1989	Nierman	5,158,567	A	10/1992	Green
4,887,601	A	12/1989	Richards	D330,699	S	11/1992	Gill
4,890,613	A	1/1990	Golden et al.	5,163,598	A	11/1992	Peters et al.
4,892,244	A	1/1990	Fox et al.	5,170,925	A	12/1992	Madden et al.
4,893,622	A	1/1990	Green et al.	5,171,247	A	12/1992	Hughett et al.
4,894,051	A	1/1990	Shiber	5,171,249	A	12/1992	Stefanchik et al.
4,896,678	A	1/1990	Ogawa	5,171,253	A	12/1992	Klieman
4,900,303	A	2/1990	Lemelson	5,188,111	A	2/1993	Yates et al.
4,903,697	A	2/1990	Resnick et al.	5,190,517	A	3/1993	Zieve et al.
4,915,100	A	4/1990	Green	5,190,544	A	3/1993	Chapman et al.
4,930,503	A	6/1990	Pruitt	5,190,560	A	3/1993	Woods et al.
				5,192,288	A	3/1993	Thompson et al.
				5,195,968	A	3/1993	Lundquist et al.
				5,197,648	A	3/1993	Gingold
				5,197,649	A	3/1993	Bessler et al.

(56)

References Cited

U.S. PATENT DOCUMENTS

5,197,966	A	3/1993	Sommerkamp	5,341,724	A	8/1994	Vatel
5,200,280	A	4/1993	Karasa	5,341,810	A	8/1994	Dardel
5,201,746	A	4/1993	Shichman	5,342,381	A	8/1994	Tidemand
5,205,459	A	4/1993	Brinkerhoff et al.	5,342,395	A	8/1994	Jarrett et al.
5,207,697	A	5/1993	Carusillo et al.	5,342,396	A	8/1994	Cook
5,209,747	A	5/1993	Knoepfler	5,344,060	A	9/1994	Gravener et al.
5,211,649	A	5/1993	Kohler et al.	5,344,454	A	9/1994	Clarke et al.
5,211,655	A	5/1993	Hasson	5,346,504	A	9/1994	Ortiz et al.
5,217,457	A	6/1993	Delahuerga et al.	5,348,259	A	9/1994	Blanco et al.
5,217,478	A	6/1993	Rexroth	5,350,388	A	9/1994	Epstein
5,219,111	A	6/1993	Bilotti et al.	5,350,391	A	9/1994	Iacovelli
5,221,036	A	6/1993	Takase	5,350,400	A	9/1994	Esposito et al.
5,221,281	A	6/1993	Klicek	5,352,229	A	10/1994	Goble et al.
5,222,963	A	6/1993	Brinkerhoff et al.	5,352,235	A	10/1994	Koros et al.
5,222,975	A	6/1993	Crainich	5,352,238	A	10/1994	Green et al.
5,222,976	A	6/1993	Yoon	5,354,303	A	10/1994	Spaeth et al.
5,223,675	A	6/1993	Taft	5,356,006	A	10/1994	Alpern et al.
D338,729	S	8/1993	Sprecklemeier et al.	5,358,506	A	10/1994	Green et al.
5,234,447	A	8/1993	Kaster et al.	5,358,510	A	10/1994	Luscombe et al.
5,236,440	A	8/1993	Hlavacek	5,359,231	A	10/1994	Flowers et al.
5,239,981	A	8/1993	Anapliotis	D352,780	S	11/1994	Glaeser et al.
5,240,163	A	8/1993	Stein et al.	5,360,305	A	11/1994	Kerrigan
5,242,457	A	9/1993	Akopov et al.	5,360,428	A	11/1994	Hutchinson, Jr.
5,244,462	A	9/1993	Delahuerga et al.	5,364,001	A	11/1994	Bryan
5,246,156	A	9/1993	Rothfuss et al.	5,364,003	A	11/1994	Williamson, IV
5,246,443	A	9/1993	Mai	5,366,133	A	11/1994	Geiste
5,253,793	A	10/1993	Green et al.	5,366,134	A	11/1994	Green et al.
5,258,009	A	11/1993	Connors	5,366,479	A	11/1994	McGarry et al.
5,258,012	A	11/1993	Luscombe et al.	5,368,015	A	11/1994	Wilk
5,259,366	A	11/1993	Reydel et al.	5,368,592	A	11/1994	Stern et al.
5,260,637	A	11/1993	Pizzi	5,370,645	A	12/1994	Klicek et al.
5,263,629	A	11/1993	Trumbull et al.	5,372,124	A	12/1994	Takayama et al.
5,263,973	A	11/1993	Cook	5,372,596	A	12/1994	Klicek et al.
5,264,218	A	11/1993	Rogozinski	5,372,602	A	12/1994	Burke
5,268,622	A	12/1993	Philipp	5,374,277	A	12/1994	Hassler
5,271,543	A	12/1993	Grant et al.	5,376,095	A	12/1994	Ortiz
5,271,544	A	12/1993	Fox et al.	5,379,933	A	1/1995	Green et al.
RE34,519	E	1/1994	Fox et al.	5,381,649	A	1/1995	Webb
5,275,323	A	1/1994	Schulze et al.	5,381,782	A	1/1995	DeLaRama et al.
5,275,608	A	1/1994	Forman et al.	5,381,943	A	1/1995	Allen et al.
5,279,416	A	1/1994	Malec et al.	5,382,247	A	1/1995	Cimino et al.
5,281,216	A	1/1994	Klicek	5,383,880	A	1/1995	Hooven
5,282,806	A	2/1994	Haber et al.	5,383,881	A	1/1995	Green et al.
5,282,829	A	2/1994	Hermes	5,383,882	A	1/1995	Buess et al.
5,284,128	A	2/1994	Hart	5,383,888	A	1/1995	Zvenyatsky et al.
5,285,945	A	2/1994	Brinkerhoff et al.	5,383,895	A	1/1995	Holmes et al.
5,289,963	A	3/1994	McGarry et al.	5,389,098	A	2/1995	Tsuruta et al.
5,290,271	A	3/1994	Jernberg	5,389,104	A	2/1995	Hahnen et al.
5,292,053	A	3/1994	Bilotti et al.	5,391,180	A	2/1995	Tovey et al.
5,297,714	A	3/1994	Kramer	5,392,978	A	2/1995	Velez et al.
5,303,539	A	4/1994	Neamtu	5,392,979	A	2/1995	Green et al.
5,304,204	A	4/1994	Bregen	5,395,030	A	3/1995	Kuramoto et al.
D347,474	S	5/1994	Olson	5,395,033	A	3/1995	Byrne et al.
5,307,976	A	5/1994	Olson et al.	5,395,034	A	3/1995	Allen et al.
5,308,576	A	5/1994	Green et al.	5,395,312	A	3/1995	Desai
5,309,927	A	5/1994	Welch	5,395,384	A	3/1995	Duthoit et al.
5,312,023	A	5/1994	Green et al.	5,397,046	A	3/1995	Savage et al.
5,312,024	A	5/1994	Grant et al.	5,397,324	A	3/1995	Carroll et al.
5,312,329	A	5/1994	Beaty et al.	5,403,043	A	4/1995	Smet
5,314,424	A	5/1994	Nicholas	5,403,312	A	4/1995	Yates et al.
5,314,445	A	5/1994	Heidmueller nee Degwitz et al.	5,405,072	A	4/1995	Zlock et al.
5,314,466	A	5/1994	Stern et al.	5,405,073	A	4/1995	Porter
5,318,221	A	6/1994	Green et al.	5,405,344	A	4/1995	Williamson et al.
D348,930	S	7/1994	Olson	5,405,360	A	4/1995	Tovey
5,329,923	A	7/1994	Lundquist	5,407,293	A	4/1995	Crainich
5,330,487	A	7/1994	Thornton et al.	5,409,498	A	4/1995	Braddock et al.
5,330,502	A	7/1994	Hassler et al.	D357,981	S	5/1995	Green et al.
5,332,142	A	7/1994	Robinson et al.	5,411,481	A	5/1995	Allen et al.
5,333,422	A	8/1994	Warren et al.	5,411,508	A	5/1995	Bessler et al.
5,333,772	A	8/1994	Rothfuss et al.	5,413,107	A	5/1995	Oakley et al.
5,333,773	A	8/1994	Main et al.	5,413,267	A	5/1995	Solyntjes et al.
5,334,183	A	8/1994	Wuchinich	5,413,268	A	5/1995	Green et al.
5,336,229	A	8/1994	Noda	5,413,272	A	5/1995	Green et al.
5,336,232	A	8/1994	Green et al.	5,413,573	A	5/1995	Koivukangas
5,339,799	A	8/1994	Kami et al.	5,415,334	A	5/1995	Williamson et al.
				5,415,335	A	5/1995	Knodell, Jr.
				5,417,203	A	5/1995	Tovey et al.
				5,417,361	A	5/1995	Williamson, IV
				5,421,829	A	6/1995	Olichney et al.

(56)

References Cited

U.S. PATENT DOCUMENTS

5,422,567	A	6/1995	Matsunaga	5,503,320	A	4/1996	Webster et al.
5,423,471	A	6/1995	Mastri et al.	5,503,635	A	4/1996	Sauer et al.
5,423,809	A	6/1995	Kliccek	5,503,638	A	4/1996	Cooper et al.
5,425,745	A	6/1995	Green et al.	5,505,363	A	4/1996	Green et al.
5,431,322	A	7/1995	Green et al.	5,507,425	A	4/1996	Ziglioli
5,431,654	A	7/1995	Nic	5,507,426	A	4/1996	Young et al.
5,431,668	A	7/1995	Burbank, III et al.	5,509,596	A	4/1996	Green et al.
5,433,721	A	7/1995	Hooven et al.	5,509,916	A	4/1996	Taylor
5,437,681	A	8/1995	Meade et al.	5,511,564	A	4/1996	Wilk
5,438,302	A	8/1995	Goble	5,514,129	A	5/1996	Smith
5,439,155	A	8/1995	Viola	5,514,157	A	5/1996	Nicholas et al.
5,439,156	A	8/1995	Grant et al.	5,518,163	A	5/1996	Hooven
5,439,479	A	8/1995	Shichman et al.	5,518,164	A	5/1996	Hooven
5,441,191	A	8/1995	Linden	5,520,678	A	5/1996	Heckele et al.
5,441,193	A	8/1995	Gravener	5,520,700	A	5/1996	Beyar et al.
5,441,483	A	8/1995	Avitall	5,522,817	A	6/1996	Sander et al.
5,441,494	A	8/1995	Ortiz	5,522,831	A	6/1996	Sleister et al.
5,444,113	A	8/1995	Sinclair et al.	5,527,320	A	6/1996	Carruthers et al.
5,445,155	A	8/1995	Sieben	5,529,235	A	6/1996	Boiarski et al.
5,445,304	A	8/1995	Plyley et al.	D372,086	S	7/1996	Grasso et al.
5,445,644	A	8/1995	Pietrafitta et al.	5,531,305	A	7/1996	Roberts et al.
5,447,265	A	9/1995	Vidal et al.	5,531,744	A	7/1996	Nardella et al.
5,447,417	A	9/1995	Kuhl et al.	5,533,521	A	7/1996	Granger
5,447,513	A	9/1995	Davison et al.	5,533,581	A	7/1996	Barth et al.
5,449,355	A	9/1995	Rhum et al.	5,533,661	A	7/1996	Main et al.
5,449,365	A	9/1995	Green et al.	5,535,934	A	7/1996	Boiarski et al.
5,449,370	A	9/1995	Vaitekunas	5,535,935	A	7/1996	Vidal et al.
5,452,836	A	9/1995	Huitema et al.	5,535,937	A	7/1996	Boiarski et al.
5,452,837	A	9/1995	Williamson, IV et al.	5,540,375	A	7/1996	Bolanos et al.
5,454,378	A	10/1995	Palmer et al.	5,541,376	A	7/1996	Ladtkow et al.
5,454,822	A	10/1995	Schob et al.	5,542,594	A	8/1996	McKean et al.
5,454,827	A	10/1995	Aust et al.	5,542,949	A	8/1996	Yoon
5,456,401	A	10/1995	Green et al.	5,543,119	A	8/1996	Sutter et al.
5,458,579	A	10/1995	Chodorow et al.	5,547,117	A	8/1996	Hamblin et al.
5,462,215	A	10/1995	Viola et al.	5,549,621	A	8/1996	Bessler et al.
5,464,013	A	11/1995	Lemelson	5,549,627	A	8/1996	Kieturakis
5,464,144	A	11/1995	Guy et al.	5,549,628	A	8/1996	Cooper et al.
5,464,300	A	11/1995	Crainich	5,549,637	A	8/1996	Crainich
5,465,819	A	11/1995	Weilant et al.	5,551,622	A	9/1996	Yoon
5,465,894	A	11/1995	Clark et al.	5,553,675	A	9/1996	Pitzen et al.
5,465,895	A	11/1995	Knodel et al.	5,553,765	A	9/1996	Knodel et al.
5,465,896	A	11/1995	Allen et al.	5,554,148	A	9/1996	Aebischer et al.
5,466,020	A	11/1995	Page et al.	5,554,169	A	9/1996	Green et al.
5,467,911	A	11/1995	Tsuruta et al.	5,556,416	A	9/1996	Clark et al.
5,468,253	A	11/1995	Bezwada et al.	5,558,665	A	9/1996	Kieturakis
5,470,006	A	11/1995	Rodak	5,558,671	A	9/1996	Yates
5,470,007	A	11/1995	Plyley et al.	5,560,530	A	10/1996	Bolanos et al.
5,470,009	A	11/1995	Rodak	5,560,532	A	10/1996	DeFonzo et al.
5,470,010	A	11/1995	Rothfuss et al.	5,562,239	A	10/1996	Boiarski et al.
5,472,132	A	12/1995	Savage et al.	5,562,241	A	10/1996	Knodel et al.
5,472,442	A	12/1995	Kliccek	5,562,682	A	10/1996	Oberlin et al.
5,473,204	A	12/1995	Temple	5,562,690	A	10/1996	Green et al.
5,474,057	A	12/1995	Makower et al.	5,562,701	A	10/1996	Huitema et al.
5,474,223	A	12/1995	Viola et al.	5,562,702	A	10/1996	Huitema et al.
5,474,566	A	12/1995	Alesi et al.	5,564,615	A	10/1996	Bishop et al.
5,476,206	A	12/1995	Green et al.	5,569,161	A	10/1996	Ebling et al.
5,476,479	A	12/1995	Green et al.	5,569,270	A	10/1996	Weng
5,478,003	A	12/1995	Green et al.	5,569,284	A	10/1996	Young et al.
5,478,354	A	12/1995	Tovey et al.	5,571,090	A	11/1996	Sherts
5,480,089	A	1/1996	Blewett	5,571,100	A	11/1996	Goble et al.
5,480,409	A	1/1996	Riza	5,571,116	A	11/1996	Bolanos et al.
5,482,197	A	1/1996	Green et al.	5,571,285	A	11/1996	Chow et al.
5,484,095	A	1/1996	Green et al.	5,573,541	A	11/1996	Green et al.
5,484,398	A	1/1996	Stoddard	5,573,543	A	11/1996	Akopov et al.
5,484,451	A	1/1996	Akopov et al.	5,574,431	A	11/1996	McKeown et al.
5,485,947	A	1/1996	Olson et al.	5,575,054	A	11/1996	Klinzing et al.
5,485,952	A	1/1996	Fontayne	5,575,789	A	11/1996	Bell et al.
5,487,499	A	1/1996	Sorrentino et al.	5,575,799	A	11/1996	Bolanos et al.
5,487,500	A	1/1996	Knodel et al.	5,575,803	A	11/1996	Cooper et al.
5,489,058	A	2/1996	Plyley et al.	5,575,805	A	11/1996	Li
5,489,256	A	2/1996	Adair	5,577,654	A	11/1996	Bishop
5,496,312	A	3/1996	Kliccek	5,579,978	A	12/1996	Green et al.
5,496,317	A	3/1996	Goble et al.	5,580,067	A	12/1996	Hamblin et al.
5,497,933	A	3/1996	DeFonzo et al.	5,582,611	A	12/1996	Tsuruta et al.
5,501,654	A	3/1996	Failla et al.	5,582,617	A	12/1996	Klieman et al.
				5,584,425	A	12/1996	Savage et al.
				5,586,711	A	12/1996	Plyley et al.
				5,588,579	A	12/1996	Schnut et al.
				5,588,580	A	12/1996	Paul et al.

(56)

References Cited

U.S. PATENT DOCUMENTS

5,588,581	A	12/1996	Conlon et al.	5,673,840	A	10/1997	Schulze et al.
5,591,170	A	1/1997	Spievack et al.	5,673,841	A	10/1997	Schulze et al.
5,591,187	A	1/1997	Dekel	5,673,842	A	10/1997	Bittner et al.
5,597,107	A	1/1997	Knodel et al.	5,674,286	A	10/1997	D'Alessio et al.
5,599,151	A	2/1997	Daum et al.	5,678,748	A	10/1997	Plyley et al.
5,599,279	A	2/1997	Slotman et al.	5,680,981	A	10/1997	Mililli et al.
5,599,344	A	2/1997	Paterson	5,680,982	A	10/1997	Schulze et al.
5,599,350	A	2/1997	Schulze et al.	5,680,983	A	10/1997	Plyley et al.
5,599,852	A	2/1997	Scopelianos et al.	5,683,349	A	11/1997	Makower et al.
5,601,224	A	2/1997	Bishop et al.	5,685,474	A	11/1997	Seeber
5,603,443	A	2/1997	Clark et al.	5,686,090	A	11/1997	Schilder et al.
5,605,272	A	2/1997	Witt et al.	5,688,270	A	11/1997	Yates et al.
5,605,273	A	2/1997	Hamblin et al.	5,690,269	A	11/1997	Bolanos et al.
5,607,094	A	3/1997	Clark et al.	5,692,668	A	12/1997	Schulze et al.
5,607,095	A	3/1997	Smith et al.	5,693,020	A	12/1997	Rauh
5,607,433	A	3/1997	Polla et al.	5,693,042	A	12/1997	Boiarski et al.
5,607,450	A	3/1997	Zvenyatsky et al.	5,693,051	A	12/1997	Schulze et al.
5,609,285	A	3/1997	Grant et al.	5,695,494	A	12/1997	Becker
5,609,601	A	3/1997	Kolesa et al.	5,695,502	A	12/1997	Pier et al.
5,611,709	A	3/1997	McAnulty	5,695,504	A	12/1997	Gifford, III et al.
5,613,966	A	3/1997	Makower et al.	5,695,524	A	12/1997	Kelley et al.
5,615,820	A	4/1997	Viola	5,697,542	A	12/1997	Knodel et al.
5,618,294	A	4/1997	Aust et al.	5,697,543	A	12/1997	Burdorff
5,618,303	A	4/1997	Marlow et al.	5,697,909	A	12/1997	Eggers et al.
5,618,307	A	4/1997	Donlon et al.	5,697,943	A	12/1997	Sauer et al.
5,619,992	A	4/1997	Guthrie et al.	5,700,270	A	12/1997	Peysen et al.
5,620,289	A	4/1997	Curry	5,702,387	A	12/1997	Arts et al.
5,620,452	A	4/1997	Yoon	5,702,408	A	12/1997	Wales et al.
5,624,398	A	4/1997	Smith et al.	5,702,409	A	12/1997	Rayburn et al.
5,624,452	A	4/1997	Yates	5,704,087	A	1/1998	Strub
5,626,587	A	5/1997	Bishop et al.	5,704,534	A	1/1998	Huitema et al.
5,626,595	A	5/1997	Sklar et al.	5,706,997	A	1/1998	Green et al.
5,628,446	A	5/1997	Geiste et al.	5,706,998	A	1/1998	Plyley et al.
5,628,743	A	5/1997	Cimino	5,707,392	A	1/1998	Kortenbach
5,628,745	A	5/1997	Bek	5,709,334	A	1/1998	Sorrentino et al.
5,630,539	A	5/1997	Plyley et al.	5,709,335	A	1/1998	Heck
5,630,540	A	5/1997	Blewett	5,709,680	A	1/1998	Yates et al.
5,630,541	A	5/1997	Williamson, IV et al.	5,709,706	A	1/1998	Kienzle et al.
5,630,782	A	5/1997	Adair	5,711,472	A	1/1998	Bryan
5,632,432	A	5/1997	Schulze et al.	5,713,128	A	2/1998	Schrenk et al.
5,632,433	A	5/1997	Grant et al.	5,713,505	A	2/1998	Huitema
5,634,584	A	6/1997	Okorochoa et al.	5,713,895	A	2/1998	Lontine et al.
5,636,779	A	6/1997	Palmer	5,713,896	A	2/1998	Nardella
5,636,780	A	6/1997	Green et al.	5,713,920	A	2/1998	Bezwada et al.
5,639,008	A	6/1997	Gallagher et al.	5,715,604	A	2/1998	Lanzoni
D381,077	S	7/1997	Hunt	5,715,987	A	2/1998	Kelley et al.
5,643,291	A	7/1997	Pier et al.	5,715,988	A	2/1998	Palmer
5,645,209	A	7/1997	Green et al.	5,716,366	A	2/1998	Yates
5,647,526	A	7/1997	Green et al.	5,718,359	A	2/1998	Palmer et al.
5,647,869	A	7/1997	Goble et al.	5,718,360	A	2/1998	Green et al.
5,649,937	A	7/1997	Bito et al.	5,718,548	A	2/1998	Cotellessa
5,649,956	A	7/1997	Jensen et al.	5,718,706	A	2/1998	Roger
5,651,491	A	7/1997	Heaton et al.	5,720,744	A	2/1998	Eggleston et al.
5,653,373	A	8/1997	Green et al.	D393,067	S	3/1998	Geary et al.
5,653,374	A	8/1997	Young et al.	5,725,536	A	3/1998	Oberlin et al.
5,653,677	A	8/1997	Okada et al.	5,725,554	A	3/1998	Simon et al.
5,653,721	A	8/1997	Knodel et al.	5,728,110	A	3/1998	Vidal et al.
5,655,698	A	8/1997	Yoon	5,728,121	A	3/1998	Bimbo et al.
5,657,921	A	8/1997	Young et al.	5,730,758	A	3/1998	Allgeyer
5,658,238	A	8/1997	Suzuki et al.	5,732,821	A	3/1998	Stone et al.
5,658,281	A	8/1997	Heard	5,732,871	A	3/1998	Clark et al.
5,658,300	A	8/1997	Bito et al.	5,732,872	A	3/1998	Bolduc et al.
5,658,307	A	8/1997	Exconde	5,733,308	A	3/1998	Daugherty et al.
5,662,258	A	9/1997	Knodel et al.	5,735,445	A	4/1998	Vidal et al.
5,662,260	A	9/1997	Yoon	5,735,848	A	4/1998	Yates et al.
5,662,662	A	9/1997	Bishop et al.	5,735,874	A	4/1998	Measamer et al.
5,665,085	A	9/1997	Nardella	5,738,474	A	4/1998	Blewett
5,665,100	A	9/1997	Yoon	5,738,648	A	4/1998	Lands et al.
5,667,517	A	9/1997	Hooven	5,743,456	A	4/1998	Jones et al.
5,667,526	A	9/1997	Levin	5,747,953	A	5/1998	Philipp
5,667,527	A	9/1997	Cook	5,749,889	A	5/1998	Bacich et al.
5,669,544	A	9/1997	Schulze et al.	5,749,893	A	5/1998	Vidal et al.
5,669,904	A	9/1997	Platt, Jr. et al.	5,752,644	A	5/1998	Bolanos et al.
5,669,907	A	9/1997	Platt, Jr. et al.	5,752,965	A	5/1998	Francis et al.
5,669,918	A	9/1997	Balazs et al.	5,755,717	A	5/1998	Yates et al.
				5,758,814	A	6/1998	Gallagher et al.
				5,762,255	A	6/1998	Chrisman et al.
				5,762,256	A	6/1998	Mastri et al.
				5,766,188	A	6/1998	Igaki

(56)

References Cited

U.S. PATENT DOCUMENTS

5,766,205	A	6/1998	Zvenyatsky et al.	5,860,975	A	1/1999	Goble et al.
5,769,892	A	6/1998	Kingwell	5,865,361	A	2/1999	Milliman et al.
5,772,379	A	6/1998	Evensen	5,868,760	A	2/1999	McGuckin, Jr.
5,772,578	A	6/1998	Heimberger et al.	5,868,790	A	2/1999	Vincent et al.
5,772,659	A	6/1998	Becker et al.	5,871,135	A	2/1999	Williamson, IV et al.
5,776,130	A	7/1998	Buysse et al.	5,873,885	A	2/1999	Weidenbenner
5,778,939	A	7/1998	Hok-Yin	5,876,401	A	3/1999	Schulze et al.
5,779,130	A	7/1998	Alesi et al.	5,878,193	A	3/1999	Wang et al.
5,779,131	A	7/1998	Knodel et al.	5,878,937	A	3/1999	Green et al.
5,779,132	A	7/1998	Knodel et al.	5,878,938	A	3/1999	Bittner et al.
5,782,396	A	7/1998	Mastri et al.	5,891,160	A	4/1999	Williamson, IV et al.
5,782,397	A	7/1998	Koukline	5,893,506	A	4/1999	Powell
5,782,748	A	7/1998	Palmer et al.	5,893,835	A	4/1999	Witt et al.
5,782,749	A	7/1998	Riza	5,893,863	A	4/1999	Yoon
5,782,859	A	7/1998	Nicholas et al.	5,893,878	A	4/1999	Pierce
5,784,934	A	7/1998	Izumisawa	5,894,979	A	4/1999	Powell
5,785,232	A	7/1998	Vidal et al.	5,897,552	A	4/1999	Edwards et al.
5,785,647	A	7/1998	Tompkins et al.	5,897,562	A	4/1999	Bolanos et al.
5,787,897	A	8/1998	Kieturakis	5,899,914	A	5/1999	Zirps et al.
5,792,135	A	8/1998	Madhani et al.	5,901,895	A	5/1999	Heaton et al.
5,792,165	A	8/1998	Klieman et al.	5,902,312	A	5/1999	Frater et al.
5,794,834	A	8/1998	Hamblin et al.	5,904,647	A	5/1999	Ouchi
5,796,188	A	8/1998	Bays	5,904,693	A	5/1999	Dicesare et al.
5,797,536	A	8/1998	Smith et al.	5,904,702	A	5/1999	Ek et al.
5,797,537	A	8/1998	Oberlin et al.	5,906,625	A	5/1999	Bito et al.
5,797,538	A	8/1998	Heaton et al.	5,908,402	A	6/1999	Blythe
5,797,906	A	8/1998	Rhum et al.	5,908,427	A	6/1999	McKean et al.
5,797,958	A	8/1998	Yoon	5,911,353	A	6/1999	Bolanos et al.
5,797,959	A	8/1998	Castro et al.	5,915,616	A	6/1999	Viola et al.
5,799,857	A	9/1998	Robertson et al.	5,916,225	A	6/1999	Kugel
5,800,379	A	9/1998	Edwards	5,918,791	A	7/1999	Sorrentino et al.
5,800,423	A	9/1998	Jensen	5,919,198	A	7/1999	Graves, Jr. et al.
5,806,676	A	9/1998	Wasgien	5,919,202	A	7/1999	Yoon
5,807,376	A	9/1998	Viola et al.	5,921,956	A	7/1999	Grinberg et al.
5,807,378	A	9/1998	Jensen et al.	5,928,256	A	7/1999	Riza
5,807,393	A	9/1998	Williamson, IV et al.	5,931,847	A	8/1999	Bittner et al.
5,809,441	A	9/1998	McKee	5,931,853	A	8/1999	McEwen et al.
5,810,721	A	9/1998	Mueller et al.	5,937,951	A	8/1999	Izuchukwu et al.
5,810,811	A	9/1998	Yates et al.	5,938,667	A	8/1999	Peysen et al.
5,810,846	A	9/1998	Virnich et al.	5,941,442	A	8/1999	Geiste et al.
5,810,855	A	9/1998	Rayburn et al.	5,941,890	A	8/1999	Voegele et al.
5,813,813	A	9/1998	Daum et al.	5,944,172	A	8/1999	Hannula
5,814,055	A	9/1998	Knodel et al.	5,944,715	A	8/1999	Goble et al.
5,814,057	A	9/1998	Oi et al.	5,947,984	A	9/1999	Whipple
5,816,471	A	10/1998	Plyley et al.	5,947,996	A	9/1999	Logeman
5,817,084	A	10/1998	Jensen	5,948,030	A	9/1999	Miller et al.
5,817,091	A	10/1998	Nardella et al.	5,951,516	A	9/1999	Bunyan
5,817,093	A	10/1998	Williamson, IV et al.	5,951,552	A	9/1999	Long et al.
5,817,109	A	10/1998	McGarry et al.	5,951,574	A	9/1999	Stefanchik et al.
5,817,119	A	10/1998	Klieman et al.	5,951,581	A	9/1999	Saadat et al.
5,820,009	A	10/1998	Melling et al.	5,954,259	A	9/1999	Viola et al.
5,823,066	A	10/1998	Huitema et al.	5,964,394	A	10/1999	Robertson
5,826,776	A	10/1998	Schulze et al.	5,964,774	A	10/1999	McKean et al.
5,827,271	A	10/1998	Buysse et al.	5,971,916	A	10/1999	Koren
5,827,298	A	10/1998	Hart et al.	5,973,221	A	10/1999	Collyer et al.
5,829,662	A	11/1998	Allen et al.	D416,089	S	11/1999	Barton et al.
5,830,598	A	11/1998	Patterson	5,984,949	A	11/1999	Levin
5,833,690	A	11/1998	Yates et al.	5,988,479	A	11/1999	Palmer
5,833,695	A	11/1998	Yoon	5,997,528	A	12/1999	Bisch et al.
5,833,696	A	11/1998	Whitfield et al.	5,997,552	A	12/1999	Person et al.
5,836,503	A	11/1998	Ehrenfels et al.	6,003,517	A	12/1999	Sheffield et al.
5,836,960	A	11/1998	Kolesa et al.	6,004,319	A	12/1999	Goble et al.
5,839,639	A	11/1998	Sauer et al.	6,004,335	A	12/1999	Vaitekunas et al.
5,843,021	A	12/1998	Edwards et al.	6,010,054	A	1/2000	Johnson et al.
5,843,096	A	12/1998	Igaki et al.	6,010,513	A	1/2000	Tormala et al.
5,843,097	A	12/1998	Mayenberger et al.	6,012,494	A	1/2000	Balazs
5,843,122	A	12/1998	Riza	6,013,076	A	1/2000	Goble et al.
5,843,132	A	12/1998	Ilvento	6,015,406	A	1/2000	Goble et al.
5,843,169	A	12/1998	Taheri	6,015,417	A	1/2000	Reynolds, Jr.
5,846,254	A	12/1998	Schulze et al.	6,017,322	A	1/2000	Snoke et al.
5,849,011	A	12/1998	Jones et al.	6,017,354	A	1/2000	Culp et al.
5,849,023	A	12/1998	Mericle	6,017,356	A	1/2000	Frederick et al.
5,855,311	A	1/1999	Hamblin et al.	6,022,352	A	2/2000	Vandewalle
5,855,583	A	1/1999	Wang et al.	6,024,741	A	2/2000	Williamson, IV et al.
5,860,581	A	1/1999	Robertson et al.	6,024,748	A	2/2000	Manzo et al.
				6,027,501	A	2/2000	Goble et al.
				6,032,849	A	3/2000	Mastri et al.
				6,033,378	A	3/2000	Lundquist et al.
				6,033,399	A	3/2000	Gines

(56)

References Cited

U.S. PATENT DOCUMENTS

6,033,427	A	3/2000	Lee	6,181,105	B1	1/2001	Cutolo et al.
6,037,724	A	3/2000	Buss et al.	6,182,673	B1	2/2001	Kindermann et al.
6,039,733	A	3/2000	Buyse et al.	6,187,003	B1	2/2001	Buyse et al.
6,039,734	A	3/2000	Goble	6,190,386	B1	2/2001	Rydell
6,042,601	A	3/2000	Smith	6,193,129	B1	2/2001	Bittner et al.
6,045,560	A	4/2000	McKean et al.	6,197,042	B1	3/2001	Ginn et al.
6,047,861	A	4/2000	Vidal et al.	6,200,330	B1	3/2001	Benderev et al.
6,050,172	A	4/2000	Corves et al.	6,202,914	B1	3/2001	Geiste et al.
6,050,472	A	4/2000	Shibata	6,206,897	B1	3/2001	Jamiolkowski et al.
6,050,990	A	4/2000	Tankovich et al.	6,206,904	B1	3/2001	Ouchi
6,050,996	A	4/2000	Schmaltz et al.	6,210,403	B1	4/2001	Klicek
6,053,390	A	4/2000	Green et al.	6,213,999	B1	4/2001	Platt, Jr. et al.
6,053,922	A	4/2000	Krause et al.	6,214,028	B1	4/2001	Yoon et al.
RE36,720	E	5/2000	Green et al.	6,220,368	B1	4/2001	Ark et al.
6,056,735	A	5/2000	Okada et al.	6,223,100	B1	4/2001	Green
6,056,746	A	5/2000	Goble et al.	6,223,835	B1	5/2001	Habedank et al.
6,062,360	A	5/2000	Shields	6,224,617	B1	5/2001	Saadat et al.
6,063,097	A	5/2000	Oi et al.	6,228,081	B1	5/2001	Goble
6,063,098	A	5/2000	Houser et al.	6,228,083	B1	5/2001	Lands et al.
6,065,919	A	5/2000	Peck	6,228,084	B1	5/2001	Kirwan, Jr.
6,066,132	A	5/2000	Chen et al.	6,231,565	B1	5/2001	Tovey et al.
6,068,627	A	5/2000	Orszulak et al.	6,234,178	B1	5/2001	Goble et al.
6,071,233	A	6/2000	Ishikawa et al.	6,241,139	B1	6/2001	Milliman et al.
6,074,386	A	6/2000	Goble et al.	6,241,140	B1	6/2001	Adams et al.
6,074,401	A	6/2000	Gardiner et al.	6,241,723	B1	6/2001	Heim et al.
6,077,286	A	6/2000	Cuschieri et al.	6,245,084	B1	6/2001	Mark et al.
6,079,606	A	6/2000	Milliman et al.	6,248,117	B1	6/2001	Blatter
6,080,181	A	6/2000	Jensen et al.	6,249,076	B1	6/2001	Madden et al.
6,082,577	A	7/2000	Coates et al.	6,250,532	B1	6/2001	Green et al.
6,083,191	A	7/2000	Rose	6,258,107	B1	7/2001	Balazs et al.
6,083,234	A	7/2000	Nicholas et al.	6,261,286	B1	7/2001	Goble et al.
6,083,242	A	7/2000	Cook	6,264,086	B1	7/2001	McGuckin, Jr.
6,086,544	A	7/2000	Hibner et al.	6,264,087	B1	7/2001	Whitman
6,086,600	A	7/2000	Kortenbach	6,270,508	B1	8/2001	Klieman et al.
6,090,106	A	7/2000	Goble et al.	6,273,876	B1	8/2001	Klima et al.
6,093,186	A	7/2000	Goble	6,273,897	B1	8/2001	Dalessandro et al.
6,099,537	A	8/2000	Sugai et al.	6,277,114	B1	8/2001	Bullivant et al.
6,099,551	A	8/2000	Gabbay	6,293,942	B1	9/2001	Goble et al.
6,102,271	A	8/2000	Longo et al.	6,296,640	B1	10/2001	Wampler et al.
6,109,500	A	8/2000	Alli et al.	6,302,311	B1	10/2001	Adams et al.
6,117,148	A	9/2000	Ravo et al.	6,305,891	B1	10/2001	Burlingame
6,117,158	A	9/2000	Measamer et al.	6,306,134	B1	10/2001	Goble et al.
6,119,913	A	9/2000	Adams et al.	6,306,149	B1	10/2001	Meade
6,120,433	A	9/2000	Mizuno et al.	6,309,403	B1	10/2001	Minor et al.
6,123,241	A	9/2000	Walter et al.	6,315,184	B1	11/2001	Whitman
H001904	H	10/2000	Yates et al.	6,320,123	B1	11/2001	Reimers
6,126,058	A	10/2000	Adams et al.	6,322,494	B1	11/2001	Bullivant et al.
6,126,359	A	10/2000	Dittrich et al.	6,324,339	B1	11/2001	Hudson et al.
6,126,670	A	10/2000	Walker et al.	6,325,799	B1	12/2001	Goble
6,131,789	A	10/2000	Schulze et al.	6,325,810	B1	12/2001	Hamilton et al.
6,131,790	A	10/2000	Piraka	6,330,965	B1	12/2001	Milliman et al.
6,132,368	A	10/2000	Cooper	6,331,181	B1	12/2001	Tierney et al.
6,139,546	A	10/2000	Koenig et al.	6,331,761	B1	12/2001	Kumar et al.
6,149,660	A	11/2000	Laufer et al.	6,333,029	B1	12/2001	Vyakarnam et al.
6,152,935	A	11/2000	Kammerer et al.	6,334,860	B1	1/2002	Dorn
6,153,292	A	11/2000	Bell et al.	6,334,861	B1	1/2002	Chandler et al.
6,155,473	A	12/2000	Tompkins et al.	6,336,926	B1	1/2002	Goble
6,156,056	A	12/2000	Kearns et al.	6,338,737	B1	1/2002	Toledano
6,159,146	A	12/2000	El Gazayerli	6,343,731	B1	2/2002	Adams et al.
6,159,200	A	12/2000	Verdura et al.	6,346,077	B1	2/2002	Taylor et al.
6,159,224	A	12/2000	Yoon	6,348,061	B1	2/2002	Whitman
6,162,208	A	12/2000	Hipps	6,352,503	B1	3/2002	Matsui et al.
6,165,175	A	12/2000	Wampler et al.	6,352,532	B1	3/2002	Kramer et al.
6,165,184	A	12/2000	Verdura et al.	6,355,699	B1	3/2002	Vyakarnam et al.
6,165,188	A	12/2000	Saadat et al.	6,356,072	B1	3/2002	Chass
6,168,605	B1	1/2001	Measamer et al.	6,358,224	B1	3/2002	Tims et al.
6,171,305	B1	1/2001	Sherman	6,364,877	B1	4/2002	Goble et al.
6,171,316	B1	1/2001	Kovac et al.	6,364,888	B1	4/2002	Niemeyer et al.
6,171,330	B1	1/2001	Benchetrit	6,370,981	B2	4/2002	Watarai
6,174,308	B1	1/2001	Goble et al.	6,373,152	B1	4/2002	Wang et al.
6,174,309	B1	1/2001	Wrublewski et al.	6,383,201	B1	5/2002	Dong
6,179,194	B1	1/2001	Morton	6,383,958	B1	5/2002	Swanson et al.
6,179,195	B1	1/2001	Adams et al.	6,387,113	B1	5/2002	Hawkins et al.
6,179,776	B1	1/2001	Adams et al.	6,387,114	B2	5/2002	Adams
6,179,849	B1	1/2001	Yencho et al.	6,391,038	B2	5/2002	Vargas et al.
				6,398,781	B1	6/2002	Goble et al.
				6,398,797	B2	6/2002	Bombard et al.
				6,402,766	B2	6/2002	Bowman et al.
				6,406,440	B1	6/2002	Stefanchik

(56)

References Cited

U.S. PATENT DOCUMENTS

6,406,472	B1	6/2002	Jensen	6,589,164	B1	7/2003	Flaherty
6,409,724	B1	6/2002	Penny et al.	6,592,538	B1	7/2003	Hotchkiss et al.
H002037	H	7/2002	Yates et al.	6,592,597	B2	7/2003	Grant et al.
6,413,274	B1	7/2002	Pedros	6,596,296	B1	7/2003	Nelson et al.
6,416,486	B1	7/2002	Wampler	6,596,304	B1	7/2003	Bayon et al.
6,416,509	B1	7/2002	Goble et al.	6,596,432	B2	7/2003	Kawakami et al.
6,419,695	B1	7/2002	Gabbay	D478,665	S	8/2003	Isaacs et al.
6,423,079	B1	7/2002	Blake, III	D478,986	S	8/2003	Johnston et al.
RE37,814	E	8/2002	Allgeyer	6,601,749	B2	8/2003	Sullivan et al.
6,428,070	B1	8/2002	Takanashi et al.	6,602,252	B2	8/2003	Mollenauer
6,429,611	B1	8/2002	Li	6,602,262	B2	8/2003	Griego et al.
6,436,097	B1	8/2002	Nardella	6,605,078	B2	8/2003	Adams
6,436,107	B1	8/2002	Wang et al.	6,605,669	B2	8/2003	Awokola et al.
6,436,110	B2	8/2002	Bowman et al.	6,607,475	B2	8/2003	Doyle et al.
6,436,122	B1	8/2002	Frank et al.	6,613,069	B2	9/2003	Boyd et al.
6,439,439	B1	8/2002	Rickard et al.	6,616,686	B2	9/2003	Coleman et al.
6,439,446	B1	8/2002	Perry et al.	6,619,529	B2	9/2003	Green et al.
6,440,146	B2	8/2002	Nicholas et al.	6,620,166	B1	9/2003	Wenstrom, Jr. et al.
6,443,973	B1	9/2002	Whitman	6,626,834	B2	9/2003	Dunne et al.
6,447,518	B1	9/2002	Krause et al.	6,629,630	B2	10/2003	Adams
6,447,864	B2	9/2002	Johnson et al.	6,629,974	B2	10/2003	Penny et al.
6,450,391	B1	9/2002	Kayan et al.	6,629,988	B2	10/2003	Weadock
6,450,989	B2	9/2002	Dubrul et al.	6,636,412	B2	10/2003	Smith
6,454,781	B1	9/2002	Witt et al.	6,638,108	B2	10/2003	Tachi
6,468,275	B1	10/2002	Wampler et al.	6,638,285	B2	10/2003	Gabbay
6,471,106	B1	10/2002	Reining	6,638,297	B1	10/2003	Huitema
6,478,210	B2	11/2002	Adams et al.	RE38,335	E	11/2003	Aust et al.
6,482,200	B2	11/2002	Shippert	6,641,528	B2	11/2003	Torii
6,485,490	B2	11/2002	Wampler et al.	6,644,532	B2	11/2003	Green et al.
6,485,503	B2	11/2002	Jacobs et al.	6,645,201	B1	11/2003	Utley et al.
6,485,667	B1	11/2002	Tan	6,646,307	B1	11/2003	Yu et al.
6,488,196	B1	12/2002	Fenton, Jr.	6,648,816	B2	11/2003	Irion et al.
6,488,197	B1	12/2002	Whitman	6,652,595	B1	11/2003	Nicolo
6,491,201	B1	12/2002	Whitman	D484,243	S	12/2003	Ryan et al.
6,491,690	B1	12/2002	Goble et al.	D484,595	S	12/2003	Ryan et al.
6,491,701	B2	12/2002	Tierney et al.	D484,596	S	12/2003	Ryan et al.
6,492,785	B1	12/2002	Kasten et al.	6,656,177	B2	12/2003	Truckai et al.
6,494,896	B1	12/2002	D'Alessio et al.	6,656,193	B2	12/2003	Grant et al.
6,500,176	B1	12/2002	Truckai et al.	6,663,623	B1	12/2003	Oyama et al.
6,500,194	B2	12/2002	Benderev et al.	6,663,641	B1	12/2003	Kovac et al.
6,503,257	B2	1/2003	Grant et al.	6,666,854	B1	12/2003	Lange
6,503,259	B2	1/2003	Huxel et al.	6,666,875	B1	12/2003	Sakurai et al.
6,505,768	B2	1/2003	Whitman	6,667,825	B2	12/2003	Lu et al.
6,510,854	B2	1/2003	Goble	6,669,073	B2	12/2003	Milliman et al.
6,511,468	B1	1/2003	Cragg et al.	6,670,806	B2	12/2003	Wendt et al.
6,512,360	B1	1/2003	Goto et al.	6,671,185	B2	12/2003	Duval
6,517,528	B1	2/2003	Pantages et al.	D484,977	S	1/2004	Ryan et al.
6,517,535	B2	2/2003	Edwards	6,676,660	B2	1/2004	Wampler et al.
6,517,565	B1	2/2003	Whitman et al.	6,679,269	B2	1/2004	Swanson
6,517,566	B1	2/2003	Hovland et al.	6,679,410	B2	1/2004	Wursch et al.
6,522,101	B2	2/2003	Malackowski	6,681,978	B2	1/2004	Geiste et al.
6,527,782	B2	3/2003	Hogg et al.	6,681,979	B2	1/2004	Whitman
6,527,785	B2	3/2003	Sancoff et al.	6,682,527	B2	1/2004	Strul
6,533,157	B1	3/2003	Whitman	6,682,528	B2	1/2004	Frazier et al.
6,533,784	B2	3/2003	Truckai et al.	6,685,727	B2	2/2004	Fisher et al.
6,535,764	B2	3/2003	Imran et al.	6,689,153	B1	2/2004	Skiba
6,543,456	B1	4/2003	Freeman	6,692,507	B2	2/2004	Pugsley et al.
6,545,384	B1	4/2003	Pelrine et al.	6,695,198	B2	2/2004	Adams et al.
6,547,786	B1	4/2003	Goble	6,695,199	B2	2/2004	Whitman
6,550,546	B2	4/2003	Thurler et al.	6,698,643	B2	3/2004	Whitman
6,551,333	B2	4/2003	Kuhns et al.	6,699,235	B2	3/2004	Wallace et al.
6,554,861	B2	4/2003	Knox et al.	6,704,210	B1	3/2004	Myers
6,555,770	B2	4/2003	Kawase	6,705,503	B1	3/2004	Pedicini et al.
6,558,378	B2	5/2003	Sherman et al.	6,709,445	B2	3/2004	Boebel et al.
6,558,379	B1	5/2003	Batchelor et al.	6,712,773	B1	3/2004	Viola
6,565,560	B1	5/2003	Goble et al.	6,716,223	B2	4/2004	Leopold et al.
6,569,085	B2	5/2003	Kortenbach et al.	6,716,232	B1	4/2004	Vidal et al.
6,569,171	B2	5/2003	DeGuillebon et al.	6,716,233	B1	4/2004	Whitman
6,578,751	B2	6/2003	Hartwick	6,722,552	B2	4/2004	Fenton, Jr.
6,582,427	B1	6/2003	Goble et al.	6,723,087	B2	4/2004	O'Neill et al.
6,582,441	B1	6/2003	He et al.	6,723,091	B2	4/2004	Goble et al.
6,583,533	B2	6/2003	Pelrine et al.	6,723,109	B2	4/2004	Solingen
6,585,144	B2	7/2003	Adams et al.	6,726,697	B2	4/2004	Nicholas et al.
6,588,643	B2	7/2003	Bolduc et al.	6,729,119	B2	5/2004	Schnipke et al.
6,589,118	B1	7/2003	Soma et al.	6,736,825	B2	5/2004	Blatter et al.
				6,736,854	B2	5/2004	Vadurro et al.
				6,740,030	B2	5/2004	Martone et al.
				6,747,121	B2	6/2004	Gogolewski
				6,749,560	B1	6/2004	Konstorum et al.

(56)

References Cited

U.S. PATENT DOCUMENTS

6,752,768	B2	6/2004	Burdorff et al.	6,878,106	B1	4/2005	Herrmann
6,752,816	B2	6/2004	Culp et al.	6,889,116	B2	5/2005	Jinno
6,755,195	B1	6/2004	Lemke et al.	6,893,435	B2	5/2005	Goble
6,755,338	B2	6/2004	Hahnen et al.	6,899,538	B2	5/2005	Matoba
6,758,846	B2	7/2004	Goble et al.	6,905,057	B2	6/2005	Swayze et al.
6,761,685	B2	7/2004	Adams et al.	6,905,497	B2	6/2005	Truckai et al.
6,762,339	B1	7/2004	Klun et al.	6,908,472	B2	6/2005	Wiener et al.
6,767,352	B2	7/2004	Field et al.	6,911,033	B2	6/2005	de Guillebon et al.
6,767,356	B2	7/2004	Kanner et al.	6,913,579	B2	7/2005	Truckai et al.
6,769,590	B2	8/2004	Vresh et al.	6,913,608	B2	7/2005	Liddicoat et al.
6,769,594	B2	8/2004	Orban, III	6,913,613	B2	7/2005	Schwarz et al.
6,770,027	B2	8/2004	Banik et al.	6,921,397	B2	7/2005	Corcoran et al.
6,770,072	B1	8/2004	Truckai et al.	6,921,412	B1	7/2005	Black et al.
6,773,409	B2	8/2004	Truckai et al.	6,923,093	B2	8/2005	Ullah
6,773,437	B2	8/2004	Ogilvie et al.	6,923,803	B2	8/2005	Goble
6,773,438	B1	8/2004	Knodel et al.	6,926,716	B2	8/2005	Baker et al.
6,777,838	B2	8/2004	Miekka et al.	6,929,641	B2	8/2005	Goble et al.
6,780,151	B2	8/2004	Grabover et al.	6,929,644	B2	8/2005	Truckai et al.
6,780,180	B1	8/2004	Goble et al.	6,931,830	B2	8/2005	Liao
6,783,524	B2	8/2004	Anderson et al.	6,932,218	B2	8/2005	Kosann et al.
6,786,382	B1	9/2004	Hoffman	6,932,810	B2	8/2005	Ryan
6,786,864	B2	9/2004	Matsuura et al.	6,936,042	B2	8/2005	Wallace et al.
6,786,896	B1	9/2004	Madhani et al.	D509,297	S	9/2005	Wells
6,790,173	B2	9/2004	Saadat et al.	D509,589	S	9/2005	Wells
6,793,652	B1	9/2004	Whitman et al.	6,939,358	B2	9/2005	Palacios et al.
6,793,661	B2	9/2004	Hamilton et al.	6,942,662	B2	9/2005	Goble et al.
6,793,663	B2	9/2004	Kneifel et al.	6,942,674	B2	9/2005	Belef et al.
6,802,843	B2	10/2004	Truckai et al.	6,945,444	B2	9/2005	Gresham et al.
6,805,273	B2	10/2004	Bilotti et al.	6,945,981	B2	9/2005	Donofrio et al.
6,806,808	B1	10/2004	Watters et al.	6,953,138	B1	10/2005	Dworak et al.
6,808,525	B2	10/2004	Latterell et al.	6,953,139	B2	10/2005	Milliman et al.
6,814,741	B2	11/2004	Bowman et al.	6,958,035	B2	10/2005	Friedman et al.
6,817,508	B1	11/2004	Racenet et al.	6,959,851	B2	11/2005	Heinrich
6,817,509	B2	11/2004	Geiste et al.	6,959,852	B2	11/2005	Shelton, IV et al.
6,817,974	B2	11/2004	Cooper et al.	6,960,107	B1	11/2005	Schaub et al.
6,818,018	B1	11/2004	Sawhney	6,960,163	B2	11/2005	Ewers et al.
6,820,791	B2	11/2004	Adams	6,960,220	B2	11/2005	Marino et al.
6,821,273	B2	11/2004	Mollenauer	6,964,363	B2	11/2005	Wales et al.
6,821,282	B2	11/2004	Perry et al.	6,966,907	B2	11/2005	Goble
6,821,284	B2	11/2004	Sturtz et al.	6,966,909	B2	11/2005	Marshall et al.
6,827,246	B2	12/2004	Sullivan et al.	6,971,988	B2	12/2005	Orban, III
6,827,712	B2	12/2004	Tovey et al.	6,972,199	B2	12/2005	Lebouitz et al.
6,827,725	B2	12/2004	Batchelor et al.	6,974,462	B2	12/2005	Sater
6,828,902	B2	12/2004	Casden	6,978,921	B2	12/2005	Shelton, IV et al.
6,830,174	B2	12/2004	Hillstead et al.	6,978,922	B2	12/2005	Bilotti et al.
6,831,629	B2	12/2004	Nishino et al.	6,981,628	B2	1/2006	Wales
6,832,998	B2	12/2004	Goble	6,981,941	B2	1/2006	Whitman et al.
6,834,001	B2	12/2004	Myono	6,981,978	B2	1/2006	Gannoe
6,835,173	B2	12/2004	Couvillon, Jr.	6,981,983	B1	1/2006	Rosenblatt et al.
6,835,199	B2	12/2004	McGuckin, Jr. et al.	6,984,203	B2	1/2006	Tartaglia et al.
6,835,336	B2	12/2004	Watt	6,984,231	B2	1/2006	Goble et al.
6,837,846	B2	1/2005	Jaffe et al.	6,986,451	B1	1/2006	Mastri et al.
6,838,493	B2	1/2005	Williams et al.	6,988,649	B2	1/2006	Shelton, IV et al.
6,840,423	B2	1/2005	Adams et al.	6,988,650	B2	1/2006	Schwemberger et al.
6,843,403	B2	1/2005	Whitman	6,990,731	B2	1/2006	Haytayan
6,843,789	B2	1/2005	Goble	6,990,796	B2	1/2006	Schnipke et al.
6,843,793	B2	1/2005	Brock et al.	6,994,708	B2	2/2006	Manzo
6,846,307	B2	1/2005	Whitman et al.	6,995,729	B2	2/2006	Govari et al.
6,846,308	B2	1/2005	Whitman et al.	6,997,931	B2	2/2006	Sauer et al.
6,846,309	B2	1/2005	Whitman et al.	7,000,818	B2	2/2006	Shelton, IV et al.
6,849,071	B2	2/2005	Whitman et al.	7,000,819	B2	2/2006	Swayze et al.
6,850,817	B1	2/2005	Green	7,001,380	B2	2/2006	Goble
6,858,005	B2	2/2005	Ohline et al.	7,001,408	B2	2/2006	Knodel et al.
RE38,708	E	3/2005	Bolanos et al.	7,008,435	B2	3/2006	Cummins
D502,994	S	3/2005	Blake, III	7,009,039	B2	3/2006	Yayon et al.
6,861,142	B1	3/2005	Wilkie et al.	7,011,657	B2	3/2006	Truckai et al.
6,863,668	B2	3/2005	Gillespie et al.	7,018,357	B2	3/2006	Emmons
6,863,694	B1	3/2005	Boyce et al.	7,018,390	B2	3/2006	Turovskiy et al.
6,866,178	B2	3/2005	Adams et al.	7,023,159	B2	4/2006	Gorti et al.
6,866,671	B2	3/2005	Tierney et al.	7,025,743	B2	4/2006	Mann et al.
6,867,248	B1	3/2005	Martin et al.	7,029,435	B2	4/2006	Nakao
6,869,435	B2	3/2005	Blake, III	7,032,798	B2	4/2006	Whitman et al.
6,872,214	B2	3/2005	Sonnenschein et al.	7,032,799	B2	4/2006	Viola et al.
6,874,669	B2	4/2005	Adams et al.	7,033,356	B2	4/2006	Latterell et al.
6,877,647	B2	4/2005	Green et al.	7,036,680	B1	5/2006	Flannery
				7,037,344	B2	5/2006	Kagan et al.
				7,041,102	B2	5/2006	Truckai et al.
				7,041,868	B2	5/2006	Greene et al.
				7,043,852	B2	5/2006	Hayashida et al.

(56)

References Cited

U.S. PATENT DOCUMENTS

7,044,352	B2	5/2006	Shelton, IV et al.	7,147,140	B2	12/2006	Wukusick et al.
7,044,353	B2	5/2006	Mastri et al.	7,147,637	B2	12/2006	Goble
7,048,687	B1	5/2006	Reuss et al.	7,147,650	B2	12/2006	Lee
7,048,745	B2	5/2006	Tierney et al.	7,150,748	B2	12/2006	Ebbutt et al.
7,052,494	B2	5/2006	Goble et al.	7,153,300	B2	12/2006	Goble
7,052,499	B2	5/2006	Steger et al.	7,156,824	B2	1/2007	Rosenman
7,055,730	B2	6/2006	Ehrenfels et al.	7,156,863	B2	1/2007	Sonnenschein et al.
7,055,731	B2	6/2006	Shelton, IV et al.	7,159,750	B2	1/2007	Racenet et al.
7,056,284	B2	6/2006	Martone et al.	7,160,299	B2	1/2007	Baily
7,056,330	B2	6/2006	Gayton	7,161,036	B2	1/2007	Oikawa et al.
7,059,331	B2	6/2006	Adams et al.	7,168,604	B2	1/2007	Milliman et al.
7,059,508	B2	6/2006	Shelton, IV et al.	7,172,104	B2	2/2007	Scirica et al.
7,063,671	B2	6/2006	Couvillon, Jr.	7,172,593	B2	2/2007	Trieu et al.
7,063,712	B2	6/2006	Vargas et al.	7,179,223	B2	2/2007	Motoki et al.
7,066,879	B2	6/2006	Fowler et al.	7,179,267	B2	2/2007	Nolan et al.
7,066,944	B2	6/2006	Laufer et al.	7,182,239	B1	2/2007	Myers
7,067,038	B2	6/2006	Trokhan et al.	7,182,763	B2	2/2007	Nardella
7,070,083	B2	7/2006	Jankowski	7,183,737	B2	2/2007	Kitagawa
7,070,559	B2	7/2006	Adams et al.	7,188,758	B2	3/2007	Viola et al.
7,070,597	B2	7/2006	Truckai et al.	7,189,207	B2	3/2007	Viola
7,071,287	B2	7/2006	Rhine et al.	7,195,627	B2	3/2007	Amoah et al.
7,075,770	B1	7/2006	Smith	7,199,537	B2	4/2007	Okamura et al.
7,077,856	B2	7/2006	Whitman	7,202,653	B2	4/2007	Pai
7,080,769	B2	7/2006	Vresh et al.	7,204,404	B2	4/2007	Nguyen et al.
7,081,114	B2	7/2006	Rashidi	7,204,835	B2	4/2007	Latterell et al.
7,083,073	B2	8/2006	Yoshie et al.	7,207,233	B2	4/2007	Wadge
7,083,075	B2	8/2006	Swayze et al.	7,207,471	B2	4/2007	Heinrich et al.
7,083,571	B2	8/2006	Wang et al.	7,207,472	B2	4/2007	Wukusick et al.
7,083,615	B2	8/2006	Peterson et al.	7,207,556	B2	4/2007	Saitoh et al.
7,083,619	B2	8/2006	Truckai et al.	7,208,005	B2	4/2007	Frecker et al.
7,083,620	B2	8/2006	Jahns et al.	7,210,609	B2	5/2007	Leiboff et al.
7,087,049	B2	8/2006	Nowlin et al.	7,211,081	B2	5/2007	Goble
7,087,054	B2	8/2006	Truckai et al.	7,211,084	B2	5/2007	Goble et al.
7,087,071	B2	8/2006	Nicholas et al.	7,211,092	B2	5/2007	Hughett
7,090,637	B2	8/2006	Danitz et al.	7,213,736	B2	5/2007	Wales et al.
7,090,673	B2	8/2006	Dycus et al.	7,214,224	B2	5/2007	Goble
7,090,683	B2	8/2006	Brock et al.	7,214,232	B2	5/2007	Bowman et al.
7,090,684	B2	8/2006	McGuckin, Jr. et al.	7,217,285	B2	5/2007	Vargas et al.
7,094,202	B2	8/2006	Nobis et al.	7,220,260	B2	5/2007	Fleming et al.
7,094,247	B2	8/2006	Monassevitch et al.	7,220,272	B2	5/2007	Weadock
7,097,089	B2	8/2006	Marczyk	7,225,963	B2	6/2007	Scirica
7,097,644	B2	8/2006	Long	7,225,964	B2	6/2007	Mastri et al.
7,097,650	B2	8/2006	Weller et al.	7,234,624	B2	6/2007	Gresham et al.
7,098,794	B2	8/2006	Lindsay et al.	7,235,089	B1	6/2007	McGuckin, Jr.
7,100,949	B2	9/2006	Williams et al.	7,235,302	B2	6/2007	Jing et al.
7,104,741	B2	9/2006	Krohn	7,237,708	B1	7/2007	Guy et al.
7,108,695	B2	9/2006	Witt et al.	7,238,195	B2	7/2007	Viola
7,108,701	B2	9/2006	Evens et al.	7,241,288	B2	7/2007	Braun
7,108,709	B2	9/2006	Cummins	7,241,289	B2	7/2007	Braun
7,111,768	B2	9/2006	Cummins et al.	7,246,734	B2	7/2007	Shelton, IV
7,111,769	B2	9/2006	Wales et al.	7,247,161	B2	7/2007	Johnston et al.
7,112,214	B2	9/2006	Peterson et al.	7,252,660	B2	8/2007	Kunz
RE39,358	E	10/2006	Goble	7,255,696	B2	8/2007	Goble et al.
7,114,642	B2	10/2006	Whitman	7,256,695	B2	8/2007	Hamel et al.
7,118,582	B1	10/2006	Wang et al.	7,258,262	B2	8/2007	Mastri et al.
7,119,534	B2	10/2006	Butzmann	7,258,546	B2	8/2007	Beier et al.
7,121,446	B2	10/2006	Arad et al.	7,260,431	B2	8/2007	Libbus et al.
7,122,028	B2	10/2006	Looper et al.	7,265,374	B2	9/2007	Lee et al.
7,125,409	B2	10/2006	Truckai et al.	7,267,679	B2	9/2007	McGuckin, Jr. et al.
7,126,303	B2	10/2006	Farritor et al.	7,267,682	B1	9/2007	Bender et al.
7,128,253	B2	10/2006	Mastri et al.	7,273,483	B2	9/2007	Wiener et al.
7,128,254	B2	10/2006	Shelton, IV et al.	7,278,562	B2	10/2007	Mastri et al.
7,128,748	B2	10/2006	Mooradian et al.	7,278,563	B1	10/2007	Green
7,131,445	B2	11/2006	Amoah	7,278,949	B2	10/2007	Bader
7,133,601	B2	11/2006	Phillips et al.	7,278,994	B2	10/2007	Goble
7,134,587	B2	11/2006	Schwemberger et al.	7,282,048	B2	10/2007	Goble et al.
7,137,981	B2	11/2006	Long	7,286,850	B2	10/2007	Frieling et al.
7,140,527	B2	11/2006	Ehrenfels et al.	7,287,682	B1	10/2007	Ezzat et al.
7,140,528	B2	11/2006	Shelton, IV	7,289,139	B2	10/2007	Amling et al.
7,143,923	B2	12/2006	Shelton, IV et al.	7,293,685	B2	11/2007	Ehrenfels et al.
7,143,924	B2	12/2006	Scirica et al.	7,295,907	B2	11/2007	Lu et al.
7,143,925	B2	12/2006	Shelton, IV et al.	7,296,722	B2	11/2007	Ivanko
7,143,926	B2	12/2006	Shelton, IV et al.	7,296,724	B2	11/2007	Green et al.
7,147,138	B2	12/2006	Shelton, IV	7,297,149	B2	11/2007	Vitali et al.
7,147,139	B2	12/2006	Schwemberger et al.	7,300,373	B2	11/2007	Jinno et al.
				7,300,450	B2	11/2007	Vleugels et al.
				7,303,106	B2	12/2007	Milliman et al.
				7,303,107	B2	12/2007	Milliman et al.
				7,303,108	B2	12/2007	Shelton, IV

(56)

References Cited

U.S. PATENT DOCUMENTS

7,303,502	B2	12/2007	Thompson	7,434,717	B2	10/2008	Shelton, IV et al.
7,303,556	B2	12/2007	Metzger	7,438,209	B1	10/2008	Hess et al.
7,306,597	B2	12/2007	Manzo	7,438,718	B2	10/2008	Milliman et al.
7,308,998	B2	12/2007	Mastri et al.	7,439,354	B2	10/2008	Lenges et al.
7,322,975	B2	1/2008	Goble et al.	7,441,684	B2	10/2008	Shelton, IV et al.
7,322,994	B2	1/2008	Nicholas et al.	7,441,685	B1	10/2008	Boudreaux
7,324,572	B2	1/2008	Chang	7,442,201	B2	10/2008	Pugsley et al.
7,326,203	B2	2/2008	Papineau et al.	7,448,525	B2	11/2008	Shelton, IV et al.
7,326,213	B2	2/2008	Benderev et al.	7,451,904	B2	11/2008	Shelton, IV
7,328,828	B2	2/2008	Ortiz et al.	7,455,208	B2	11/2008	Wales et al.
7,328,829	B2	2/2008	Arad et al.	7,455,676	B2	11/2008	Holsten et al.
7,330,004	B2	2/2008	DeJonge et al.	7,455,682	B2	11/2008	Viola
7,331,340	B2	2/2008	Barney	7,461,767	B2	12/2008	Viola et al.
7,331,969	B1	2/2008	Inganas et al.	7,462,187	B2	12/2008	Johnston et al.
7,334,717	B2	2/2008	Rethy et al.	7,464,846	B2	12/2008	Shelton, IV et al.
7,334,718	B2	2/2008	McAlister et al.	7,464,847	B2	12/2008	Viola et al.
7,335,199	B2	2/2008	Goble et al.	7,464,849	B2	12/2008	Shelton, IV et al.
7,336,048	B2	2/2008	Lohr	7,467,740	B2	12/2008	Shelton, IV et al.
7,336,184	B2	2/2008	Smith et al.	7,467,849	B2	12/2008	Silverbrook et al.
7,338,513	B2	3/2008	Lee et al.	7,472,814	B2	1/2009	Mastri et al.
7,341,591	B2	3/2008	Grinberg	7,472,815	B2	1/2009	Shelton, IV et al.
7,343,920	B2	3/2008	Toby et al.	7,472,816	B2	1/2009	Holsten et al.
7,344,532	B2	3/2008	Goble et al.	7,473,253	B2	1/2009	Dycus et al.
7,348,763	B1	3/2008	Reinhart et al.	7,473,263	B2	1/2009	Johnston et al.
RE40,237	E	4/2008	Bilotti et al.	7,476,237	B2	1/2009	Taniguchi et al.
7,351,258	B2	4/2008	Ricotta et al.	7,479,608	B2	1/2009	Smith
7,354,447	B2	4/2008	Shelton, IV et al.	7,481,347	B2	1/2009	Roy
7,354,502	B2	4/2008	Polat et al.	7,481,348	B2	1/2009	Marczyk
7,357,287	B2	4/2008	Shelton, IV et al.	7,481,349	B2	1/2009	Holsten et al.
7,357,806	B2	4/2008	Rivera et al.	7,481,824	B2	1/2009	Boudreaux et al.
7,361,195	B2	4/2008	Schwartz et al.	7,485,133	B2	2/2009	Cannon et al.
7,364,060	B2	4/2008	Milliman	7,485,142	B2	2/2009	Milo
7,364,061	B2	4/2008	Swayze et al.	7,487,899	B2	2/2009	Shelton, IV et al.
7,367,973	B2	5/2008	Manzo et al.	7,490,749	B2	2/2009	Schall et al.
7,377,918	B2	5/2008	Amoah	7,494,039	B2	2/2009	Racenet et al.
7,377,928	B2	5/2008	Zubik et al.	7,494,499	B2	2/2009	Nagase et al.
7,380,695	B2	6/2008	Doll et al.	7,494,501	B2	2/2009	Ahlberg et al.
7,380,696	B2	6/2008	Shelton, IV et al.	7,500,979	B2	3/2009	Hueil et al.
7,384,417	B2	6/2008	Cucin	7,501,198	B2	3/2009	Barley et al.
7,386,730	B2	6/2008	Uchikubo	7,503,474	B2	3/2009	Hillstead et al.
7,388,217	B2	6/2008	Buschbeck et al.	7,506,790	B2	3/2009	Shelton, IV
7,391,173	B2	6/2008	Schena	7,506,791	B2	3/2009	Omaits et al.
7,396,356	B2	7/2008	Mollenauer	7,507,202	B2	3/2009	Schoellhorn
7,397,364	B2	7/2008	Govari	7,510,107	B2	3/2009	Timm et al.
7,398,907	B2	7/2008	Racenet et al.	7,510,566	B2	3/2009	Jacobs et al.
7,398,908	B2	7/2008	Holsten et al.	7,513,408	B2	4/2009	Shelton, IV et al.
7,400,752	B2	7/2008	Zacharias	7,517,356	B2	4/2009	Heinrich
7,401,721	B2	7/2008	Holsten et al.	7,524,320	B2	4/2009	Tierney et al.
7,404,508	B2	7/2008	Smith et al.	7,530,984	B2	5/2009	Sonnenschein et al.
7,404,509	B2	7/2008	Ortiz et al.	7,530,985	B2	5/2009	Takemoto et al.
7,404,822	B2	7/2008	Viard et al.	7,533,906	B2	5/2009	Luetzgen et al.
7,407,074	B2	8/2008	Ortiz et al.	7,534,259	B2	5/2009	Lashinski et al.
7,407,075	B2	8/2008	Holsten et al.	7,543,730	B1	6/2009	Marczyk
7,407,076	B2	8/2008	Racenet et al.	7,546,939	B2	6/2009	Adams et al.
7,407,077	B2	8/2008	Ortiz et al.	7,546,940	B2	6/2009	Milliman et al.
7,407,078	B2	8/2008	Shelton, IV et al.	7,547,312	B2	6/2009	Bauman et al.
7,410,086	B2	8/2008	Ortiz et al.	7,549,563	B2	6/2009	Mather et al.
7,413,563	B2	8/2008	Corcoran et al.	7,549,564	B2	6/2009	Boudreaux
7,416,101	B2	8/2008	Shelton, IV et al.	7,549,998	B2	6/2009	Braun
7,418,078	B2	8/2008	Blanz et al.	7,552,854	B2	6/2009	Wixey et al.
RE40,514	E	9/2008	Mastri et al.	7,556,185	B2	7/2009	Viola
7,419,080	B2	9/2008	Smith et al.	7,556,186	B2	7/2009	Milliman
7,419,081	B2	9/2008	Ehrenfels et al.	7,556,647	B2	7/2009	Drews et al.
7,419,321	B2	9/2008	Tereschouk	7,559,449	B2	7/2009	Viola
7,419,495	B2	9/2008	Menn et al.	7,559,450	B2	7/2009	Wales et al.
7,422,136	B1	9/2008	Marczyk	7,559,452	B2	7/2009	Wales et al.
7,422,138	B2	9/2008	Bilotti et al.	7,559,937	B2	7/2009	de la Torre et al.
7,422,139	B2	9/2008	Shelton, IV et al.	7,563,862	B2	7/2009	Sieg et al.
7,424,965	B2	9/2008	Racenet et al.	7,565,993	B2	7/2009	Milliman et al.
7,427,607	B2	9/2008	Suzuki	7,566,300	B2	7/2009	Devierre et al.
7,431,188	B1	10/2008	Marczyk	7,567,045	B2	7/2009	Fristedt
7,431,189	B2	10/2008	Shelton, IV et al.	7,568,603	B2	8/2009	Shelton, IV et al.
7,431,694	B2	10/2008	Stefanchik et al.	7,568,604	B2	8/2009	Ehrenfels et al.
7,431,730	B2	10/2008	Viola	7,568,619	B2	8/2009	Todd et al.
7,434,715	B2	10/2008	Shelton, IV et al.	7,575,144	B2	8/2009	Ortiz et al.
				7,588,174	B2	9/2009	Holsten et al.
				7,588,175	B2	9/2009	Timm et al.
				7,588,176	B2	9/2009	Timm et al.
				7,588,177	B2	9/2009	Racenet

(56)

References Cited

U.S. PATENT DOCUMENTS

7,591,783	B2	9/2009	Boulais et al.	7,714,239	B2	5/2010	Smith
7,597,229	B2	10/2009	Boudreaux et al.	7,717,312	B2	5/2010	Beetel
7,597,230	B2	10/2009	Racenet et al.	7,717,313	B2	5/2010	Criscuolo et al.
7,600,663	B2	10/2009	Green	7,717,846	B2	5/2010	Zirps et al.
7,604,150	B2	10/2009	Boudreaux	7,718,180	B2	5/2010	Karp
7,604,151	B2	10/2009	Hess et al.	7,718,556	B2	5/2010	Matsuda et al.
7,607,557	B2	10/2009	Shelton, IV et al.	7,721,931	B2	5/2010	Shelton, IV et al.
7,611,038	B2	11/2009	Racenet et al.	7,721,933	B2	5/2010	Ehrenfels et al.
7,611,474	B2	11/2009	Hibner et al.	7,721,934	B2	5/2010	Shelton, IV et al.
7,615,003	B2	11/2009	Stefanchik et al.	7,721,936	B2	5/2010	Shalton, IV et al.
7,615,067	B2	11/2009	Lee et al.	7,722,527	B2	5/2010	Bouchier et al.
7,617,961	B2	11/2009	Viola	7,722,607	B2	5/2010	Dumbauld et al.
D605,762	S	12/2009	Nalagatla et al.	7,722,610	B2	5/2010	Viola et al.
7,624,902	B2	12/2009	Marczyk et al.	7,726,537	B2	6/2010	Olson et al.
7,624,903	B2	12/2009	Green et al.	7,726,538	B2	6/2010	Holsten et al.
7,625,370	B2	12/2009	Hart et al.	7,726,539	B2	6/2010	Holsten et al.
7,631,793	B2	12/2009	Rethy et al.	7,727,954	B2	6/2010	McKay
7,631,794	B2	12/2009	Rethy et al.	7,729,742	B2	6/2010	Govari
7,635,074	B2	12/2009	Olson et al.	7,731,072	B2	6/2010	Timm et al.
7,637,409	B2	12/2009	Marczyk	7,731,073	B2	6/2010	Wixey et al.
7,637,410	B2	12/2009	Marczyk	7,731,724	B2	6/2010	Huitema et al.
7,638,958	B2	12/2009	Philipp et al.	7,735,703	B2	6/2010	Morgan et al.
7,641,091	B2*	1/2010	Olson A61B 17/07207 227/175.1	7,736,374	B2	6/2010	Vaughan et al.
7,641,092	B2	1/2010	Kruszynski et al.	7,738,971	B2	6/2010	Swayze et al.
7,641,093	B2	1/2010	Doll et al.	7,740,159	B2	6/2010	Shelton, IV et al.
7,641,095	B2	1/2010	Viola	7,743,960	B2	6/2010	Whitman et al.
7,644,783	B2	1/2010	Roberts et al.	7,744,624	B2	6/2010	Bettuchi
7,644,848	B2	1/2010	Swayze et al.	7,744,627	B2	6/2010	Orban, III et al.
7,645,230	B2	1/2010	Mikkaichi et al.	7,744,628	B2	6/2010	Viola
7,648,457	B2	1/2010	Stefanchik et al.	7,748,587	B2	7/2010	Haramiishi et al.
7,648,519	B2	1/2010	Lee et al.	7,749,204	B2	7/2010	Dhanaraj et al.
7,651,017	B2	1/2010	Ortiz et al.	7,751,870	B2	7/2010	Whitman
7,651,498	B2	1/2010	Shifrin et al.	7,753,245	B2	7/2010	Boudreaux et al.
7,654,431	B2	2/2010	Hueil et al.	7,753,904	B2	7/2010	Shelton, IV et al.
7,655,288	B2	2/2010	Bauman et al.	7,758,612	B2	7/2010	Shipp
7,656,131	B2	2/2010	Embrey et al.	7,766,207	B2	8/2010	Mather et al.
7,658,311	B2	2/2010	Boudreaux	7,766,209	B2	8/2010	Baxter, III et al.
7,658,312	B2	2/2010	Vidal et al.	7,766,210	B2	8/2010	Shelton, IV et al.
7,659,219	B2	2/2010	Biran et al.	7,766,821	B2	8/2010	Brunnen et al.
7,662,161	B2	2/2010	Briganti et al.	7,766,894	B2	8/2010	Weitzner et al.
7,665,646	B2	2/2010	Prommersberger	7,770,773	B2	8/2010	Whitman et al.
7,665,647	B2	2/2010	Shelton, IV et al.	7,770,774	B2	8/2010	Mastri et al.
7,669,746	B2	3/2010	Shelton, IV	7,770,775	B2	8/2010	Shelton, IV et al.
7,669,747	B2	3/2010	Weisenburgh, II et al.	7,770,776	B2	8/2010	Chen et al.
7,670,334	B2	3/2010	Hueil et al.	7,771,396	B2	8/2010	Stefanchik et al.
7,673,780	B2	3/2010	Shelton, IV et al.	7,772,720	B2	8/2010	McGee et al.
7,673,781	B2	3/2010	Swayze et al.	7,776,037	B2	8/2010	Odom
7,673,782	B2	3/2010	Hess et al.	7,776,060	B2	8/2010	Mooradian et al.
7,673,783	B2	3/2010	Morgan et al.	7,778,004	B2	8/2010	Nerheim et al.
7,674,253	B2	3/2010	Fisher et al.	7,780,054	B2	8/2010	Wales
7,674,255	B2	3/2010	Braun	7,780,055	B2	8/2010	Scirica et al.
7,674,263	B2	3/2010	Ryan	7,780,663	B2	8/2010	Yates et al.
7,674,270	B2	3/2010	Layer	7,780,685	B2	8/2010	Hunt et al.
7,682,307	B2	3/2010	Danitz et al.	7,784,662	B2	8/2010	Wales et al.
7,682,367	B2	3/2010	Shah et al.	7,784,663	B2	8/2010	Shelton, IV
7,686,201	B2	3/2010	Csiky	7,789,875	B2	9/2010	Brock et al.
7,686,826	B2	3/2010	Lee et al.	7,789,883	B2	9/2010	Takashino et al.
7,688,028	B2	3/2010	Phillips et al.	7,789,889	B2	9/2010	Zubik et al.
7,691,098	B2	4/2010	Wallace et al.	7,793,812	B2	9/2010	Moore et al.
7,691,106	B2	4/2010	Schenberger et al.	7,794,475	B2	9/2010	Hess et al.
7,694,865	B2	4/2010	Scirica	7,798,386	B2	9/2010	Schall et al.
7,695,485	B2	4/2010	Whitman et al.	7,799,039	B2	9/2010	Shelton, IV et al.
7,699,204	B2	4/2010	Viola	7,799,044	B2	9/2010	Johnston et al.
7,699,835	B2	4/2010	Lee et al.	7,799,965	B2	9/2010	Patel et al.
7,699,844	B2	4/2010	Utley et al.	7,803,151	B2	9/2010	Whitman
7,699,846	B2	4/2010	Ryan	7,806,871	B2	10/2010	Li et al.
7,699,856	B2	4/2010	Van Wyk et al.	7,806,891	B2	10/2010	Nowlin et al.
7,699,859	B2	4/2010	Bombard et al.	7,810,690	B2	10/2010	Bilotti et al.
7,699,860	B2	4/2010	Huitema et al.	7,810,691	B2	10/2010	Boyden et al.
7,703,653	B2	4/2010	Shah et al.	7,810,692	B2	10/2010	Hall et al.
7,708,180	B2	5/2010	Murray et al.	7,810,693	B2	10/2010	Broehl et al.
7,708,181	B2	5/2010	Cole et al.	7,815,092	B2	10/2010	Whitman et al.
7,708,182	B2	5/2010	Viola	7,815,565	B2	10/2010	Stefanchik et al.
7,708,758	B2	5/2010	Lee et al.	7,819,296	B2	10/2010	Hueil et al.
				7,819,297	B2	10/2010	Doll et al.
				7,819,298	B2	10/2010	Hall et al.
				7,819,299	B2	10/2010	Shelton, IV et al.
				7,819,884	B2	10/2010	Lee et al.
				7,819,886	B2	10/2010	Whitfield et al.

(56)

References Cited

U.S. PATENT DOCUMENTS

7,823,592	B2	11/2010	Bettuchi et al.	7,918,867	B2	4/2011	Dana et al.
7,823,760	B2	11/2010	Zemlok et al.	7,918,873	B2	4/2011	Cummins
7,824,401	B2	11/2010	Manzo et al.	7,922,061	B2	4/2011	Shelton, IV et al.
7,824,426	B2	11/2010	Racenet et al.	7,922,063	B2	4/2011	Zemlok et al.
7,828,189	B2	11/2010	Holsten et al.	7,922,743	B2	4/2011	Heinrich et al.
7,828,794	B2	11/2010	Sartor	7,926,691	B2	4/2011	Viola et al.
7,828,808	B2	11/2010	Hinman et al.	7,927,328	B2	4/2011	Orszulak et al.
7,832,408	B2	11/2010	Shelton, IV et al.	7,928,281	B2	4/2011	Augustine
7,832,611	B2	11/2010	Boyden et al.	7,931,660	B2	4/2011	Aranyi et al.
7,832,612	B2	11/2010	Baxter, III et al.	7,931,695	B2	4/2011	Ringeisen
7,833,234	B2	11/2010	Bailly et al.	7,934,630	B2	5/2011	Shelton, IV et al.
7,836,400	B2	11/2010	May et al.	7,934,631	B2	5/2011	Balbierz et al.
7,837,079	B2	11/2010	Holsten et al.	7,935,773	B2	5/2011	Hadba et al.
7,837,080	B2	11/2010	Schwemberger	7,938,307	B2	5/2011	Bettuchi
7,837,081	B2	11/2010	Holsten et al.	7,941,865	B2	5/2011	Seman, Jr. et al.
7,837,694	B2	11/2010	Tethrake et al.	7,942,301	B2	5/2011	Sater
7,838,789	B2	11/2010	Stoffers et al.	7,942,303	B2	5/2011	Shah
7,841,503	B2	11/2010	Sonnenschein et al.	7,942,890	B2	5/2011	D'Agostino et al.
7,842,025	B2	11/2010	Coleman et al.	7,944,175	B2	5/2011	Mori et al.
7,842,028	B2	11/2010	Lee	7,946,453	B2	5/2011	Voegele et al.
7,845,533	B2	12/2010	Marczyk et al.	7,950,560	B2	5/2011	Zemlok et al.
7,845,534	B2	12/2010	Viola et al.	7,950,561	B2	5/2011	Aranyi
7,845,535	B2	12/2010	Scirica	7,951,071	B2	5/2011	Whitman et al.
7,845,536	B2	12/2010	Viola et al.	7,951,166	B2	5/2011	Orban, III et al.
7,845,537	B2	12/2010	Shelton, IV et al.	7,954,682	B2	6/2011	Giordano et al.
7,846,149	B2	12/2010	Jankowski	7,954,684	B2	6/2011	Boudreaux
7,850,623	B2	12/2010	Griffin et al.	7,954,686	B2	6/2011	Baxter, III et al.
7,850,642	B2	12/2010	Moll et al.	7,954,687	B2	6/2011	Zemlok et al.
7,850,982	B2	12/2010	Stopek et al.	7,954,688	B2	6/2011	Argentine et al.
7,854,736	B2	12/2010	Ryan	7,955,257	B2	6/2011	Frasier et al.
7,857,183	B2	12/2010	Shelton, IV	7,959,050	B2	6/2011	Smith et al.
7,857,185	B2	12/2010	Swayze et al.	7,959,051	B2	6/2011	Smith et al.
7,857,186	B2	12/2010	Baxter, III et al.	7,959,052	B2	6/2011	Sonnenschein et al.
7,857,813	B2	12/2010	Scirmitz et al.	7,963,432	B2	6/2011	Knodel et al.
7,861,906	B2	1/2011	Doll et al.	7,963,433	B2	6/2011	Whitman et al.
7,862,579	B2	1/2011	Ortiz et al.	7,963,963	B2	6/2011	Francischelli et al.
7,866,525	B2	1/2011	Scirica	7,963,964	B2	6/2011	Santilli et al.
7,866,527	B2	1/2011	Hall et al.	7,966,799	B2	6/2011	Morgan et al.
7,866,528	B2	1/2011	Olson et al.	7,967,178	B2	6/2011	Scirica et al.
7,870,989	B2	1/2011	Viola et al.	7,967,179	B2	6/2011	Olson et al.
7,871,418	B2	1/2011	Thompson et al.	7,967,180	B2	6/2011	Scirica
7,879,070	B2	2/2011	Ortiz et al.	7,967,181	B2	6/2011	Viola et al.
7,883,465	B2	2/2011	Donofrio et al.	7,967,839	B2	6/2011	Flock et al.
7,886,951	B2	2/2011	Hessler	7,972,298	B2	7/2011	Wallace et al.
7,886,952	B2	2/2011	Scirica et al.	7,976,563	B2	7/2011	Summerer
7,887,530	B2	2/2011	Zemlok et al.	7,980,443	B2	7/2011	Scheib et al.
7,887,535	B2	2/2011	Lands et al.	7,988,015	B2	8/2011	Mason, II et al.
7,887,563	B2	2/2011	Cummins	7,988,026	B2	8/2011	Knodel et al.
7,891,531	B1	2/2011	Ward	7,988,027	B2	8/2011	Olson et al.
7,891,532	B2	2/2011	Mastri et al.	7,988,028	B2	8/2011	Farascioni et al.
7,892,245	B2	2/2011	Liddicoat et al.	7,988,779	B2	8/2011	Disalvo et al.
7,893,586	B2	2/2011	West et al.	7,992,757	B2	8/2011	Wheeler et al.
7,896,214	B2	3/2011	Farascioni	7,993,360	B2	8/2011	Hacker et al.
7,896,215	B2	3/2011	Adams et al.	7,997,468	B2	8/2011	Farascioni
7,896,877	B2	3/2011	Hall et al.	7,997,469	B2	8/2011	Olson et al.
7,896,895	B2	3/2011	Boudreaux et al.	8,002,696	B2	8/2011	Suzuki
7,900,805	B2	3/2011	Shelton, IV et al.	8,002,784	B2	8/2011	Jinno et al.
7,905,380	B2	3/2011	Shelton, IV et al.	8,002,785	B2	8/2011	Weiss et al.
7,905,381	B2	3/2011	Baxter, III et al.	8,002,795	B2	8/2011	Beetel
7,905,889	B2	3/2011	Catanese, III et al.	8,006,365	B2	8/2011	Levin et al.
7,905,893	B2	3/2011	Kuhns et al.	8,006,885	B2	8/2011	Marczyk
7,905,902	B2	3/2011	Huitema et al.	8,006,889	B2	8/2011	Adams et al.
7,909,039	B2	3/2011	Hur	8,007,511	B2	8/2011	Brock et al.
7,909,191	B2	3/2011	Baker et al.	8,007,513	B2	8/2011	Nalagatla et al.
7,909,220	B2	3/2011	Viola	8,011,550	B2	9/2011	Aranyi et al.
7,909,221	B2	3/2011	Viola et al.	8,011,551	B2	9/2011	Marczyk et al.
7,913,891	B2	3/2011	Doll et al.	8,011,553	B2	9/2011	Mastri et al.
7,913,893	B2	3/2011	Mastri et al.	8,011,555	B2	9/2011	Tarinelli et al.
7,914,543	B2	3/2011	Roth et al.	8,012,170	B2	9/2011	Whitman et al.
7,914,551	B2	3/2011	Ortiz et al.	8,016,176	B2	9/2011	Kasvikis et al.
7,918,230	B2	4/2011	Whitman et al.	8,016,177	B2	9/2011	Bettuchi et al.
7,918,376	B1	4/2011	Knodel et al.	8,016,178	B2	9/2011	Olson et al.
7,918,377	B2	4/2011	Measamer et al.	8,016,849	B2	9/2011	Wenchell
7,918,845	B2	4/2011	Saadat et al.	8,016,855	B2	9/2011	Whitman et al.
7,918,848	B2	4/2011	Lau et al.	8,016,858	B2	9/2011	Whitman
				8,016,881	B2	9/2011	Furst
				8,020,742	B2	9/2011	Marczyk
				8,020,743	B2	9/2011	Shelton, IV
				8,021,375	B2	9/2011	Aldrich et al.

(56)

References Cited

U.S. PATENT DOCUMENTS

8,021,377	B2	9/2011	Eskuri	8,157,793	B2	4/2012	Omori et al.
8,025,199	B2	9/2011	Whitman et al.	8,161,977	B2	4/2012	Shelton, IV et al.
8,028,883	B2	10/2011	Stopek	8,162,138	B2	4/2012	Bettenhausen et al.
8,028,884	B2	10/2011	Sniffin et al.	8,162,197	B2	4/2012	Mastri et al.
8,028,885	B2	10/2011	Smith et al.	8,167,185	B2	5/2012	Shelton, IV et al.
8,033,442	B2	10/2011	Racenet et al.	8,167,895	B2	5/2012	D'Agostino et al.
8,034,077	B2	10/2011	Smith et al.	8,167,898	B1	5/2012	Schaller et al.
8,034,363	B2	10/2011	Li et al.	8,170,241	B2	5/2012	Roe et al.
8,035,487	B2	10/2011	Malackowski	8,172,120	B2	5/2012	Boyden et al.
8,037,591	B2	10/2011	Spivey et al.	8,172,122	B2	5/2012	Kasvikis et al.
8,038,045	B2	10/2011	Bettuchi et al.	8,172,124	B2	5/2012	Shelton, IV et al.
8,038,046	B2	10/2011	Smith et al.	8,177,797	B2	5/2012	Shimoji et al.
8,038,686	B2	10/2011	Huitema et al.	8,180,458	B2	5/2012	Kane et al.
8,043,207	B2	10/2011	Adams	8,181,840	B2	5/2012	Milliman
8,043,328	B2	10/2011	Hahnen et al.	8,186,555	B2	5/2012	Shelton, IV et al.
8,047,236	B2	11/2011	Perry	8,186,556	B2	5/2012	Viola
8,048,503	B2	11/2011	Farnsworth et al.	8,186,560	B2	5/2012	Hess et al.
8,056,787	B2	11/2011	Boudreaux et al.	8,191,752	B2	6/2012	Scirica
8,056,788	B2	11/2011	Mastri et al.	8,192,460	B2	6/2012	Orban, III et al.
8,056,789	B1	11/2011	White et al.	8,196,795	B2	6/2012	Moore et al.
8,057,508	B2	11/2011	Shelton, IV	8,196,796	B2	6/2012	Shelton, IV et al.
8,058,771	B2	11/2011	Giordano et al.	8,201,720	B2	6/2012	Hessler
8,061,576	B2	11/2011	Cappola	8,201,721	B2	6/2012	Zemlok et al.
8,062,330	B2	11/2011	Prommersberger et al.	8,202,549	B2	6/2012	Stucky et al.
8,066,167	B2	11/2011	Measamer et al.	8,205,779	B2	6/2012	Ma et al.
8,066,168	B2	11/2011	Vidal et al.	8,205,780	B2	6/2012	Sorrentino et al.
D650,074	S	12/2011	Hunt et al.	8,205,781	B2	6/2012	Baxter, III et al.
8,070,033	B2	12/2011	Milliman et al.	8,206,291	B2	6/2012	Fischvogt et al.
8,070,035	B2	12/2011	Holsten et al.	8,210,411	B2	7/2012	Yates et al.
8,070,743	B2	12/2011	Kagan et al.	8,210,414	B2	7/2012	Bettuchi et al.
8,075,571	B2	12/2011	Vitali et al.	8,210,415	B2	7/2012	Ward
8,083,118	B2	12/2011	Milliman et al.	8,210,416	B2	7/2012	Milliman et al.
8,083,119	B2	12/2011	Prommersberger	8,211,123	B2	7/2012	Gross et al.
8,083,120	B2	12/2011	Shelton, IV et al.	8,211,125	B2	7/2012	Spivey
8,084,001	B2	12/2011	Burns et al.	8,214,019	B2	7/2012	Govari et al.
8,085,013	B2	12/2011	Wei et al.	8,215,531	B2	7/2012	Shelton, IV et al.
8,087,563	B2	1/2012	Milliman et al.	8,215,533	B2	7/2012	Viola et al.
8,091,756	B2	1/2012	Viola	8,220,468	B2	7/2012	Cooper et al.
8,092,443	B2	1/2012	Bischoff	8,220,688	B2	7/2012	Laurent et al.
8,092,932	B2	1/2012	Phillips et al.	8,220,690	B2	7/2012	Hess et al.
8,096,458	B2	1/2012	Hessler	8,221,424	B2	7/2012	Cha
8,097,017	B2	1/2012	Viola	8,225,799	B2	7/2012	Bettuchi
8,100,310	B2	1/2012	Zemlok	8,225,980	B1	7/2012	Rivera
8,100,872	B2	1/2012	Patel	8,226,715	B2	7/2012	Hwang et al.
8,102,278	B2	1/2012	Deck et al.	8,227,946	B2	7/2012	Kim
8,105,350	B2	1/2012	Lee et al.	8,231,040	B2	7/2012	Zemlok et al.
8,108,072	B2	1/2012	Zhao et al.	8,231,042	B2	7/2012	Hessler et al.
8,109,426	B2	2/2012	Milliman et al.	8,231,043	B2	7/2012	Tarinelli et al.
8,110,208	B1	2/2012	Hen	8,236,010	B2	8/2012	Ortiz et al.
8,113,405	B2	2/2012	Milliman	8,241,271	B2	8/2012	Millman et al.
8,113,410	B2	2/2012	Hall et al.	8,241,308	B2	8/2012	Kortenbach et al.
8,114,100	B2	2/2012	Smith et al.	8,241,322	B2	8/2012	Whitman et al.
8,123,103	B2	2/2012	Milliman	8,245,594	B2	8/2012	Rogers et al.
8,123,766	B2	2/2012	Bauman et al.	8,245,898	B2	8/2012	Smith et al.
8,123,767	B2	2/2012	Bauman et al.	8,245,899	B2	8/2012	Swensgard et al.
8,127,975	B2	3/2012	Olson et al.	8,245,900	B2	8/2012	Scirica
8,127,976	B2	3/2012	Scirica et al.	8,245,901	B2	8/2012	Stopek
8,128,624	B2	3/2012	Couture et al.	8,246,637	B2	8/2012	Viola et al.
8,128,643	B2	3/2012	Aranyi et al.	8,256,654	B2	9/2012	Bettuchi et al.
8,128,645	B2	3/2012	Sonnenschein et al.	8,256,655	B2	9/2012	Sniffin et al.
8,132,703	B2	3/2012	Milliman et al.	8,256,656	B2	9/2012	Milliman et al.
8,132,706	B2	3/2012	Marczyk et al.	8,257,251	B2	9/2012	Shelton, IV et al.
8,136,712	B2	3/2012	Zingman	8,257,356	B2	9/2012	Bleich et al.
8,136,713	B2	3/2012	Hathaway et al.	8,257,391	B2	9/2012	Orban, III et al.
8,140,417	B2	3/2012	Shibata	8,257,634	B2	9/2012	Scirica
8,141,762	B2	3/2012	Bedi et al.	8,261,958	B1	9/2012	Knodel
8,141,763	B2	3/2012	Milliman	8,262,655	B2	9/2012	Ghabrial et al.
8,146,790	B2	4/2012	Milliman	8,267,300	B2	9/2012	Boudreaux
8,147,485	B2	4/2012	Wham et al.	8,267,924	B2	9/2012	Zemlok et al.
8,152,041	B2	4/2012	Kostrzewski	8,267,946	B2	9/2012	Whitfield et al.
8,157,145	B2	4/2012	Shelton, IV et al.	8,267,951	B2	9/2012	Whayne et al.
8,157,148	B2	4/2012	Scirica	8,269,121	B2	9/2012	Smith
8,157,151	B2	4/2012	Ingmanson et al.	8,272,553	B2	9/2012	Mastri et al.
8,157,152	B2	4/2012	Holsten et al.	8,272,554	B2	9/2012	Whitman et al.
8,157,153	B2	4/2012	Shelton, IV et al.	8,272,918	B2	9/2012	Lam
				8,273,404	B2	9/2012	Dave et al.
				8,276,801	B2	10/2012	Zemlok et al.
				8,276,802	B2	10/2012	Kostrzewski
				8,281,973	B2	10/2012	Wenchell et al.

(56)		References Cited					
		U.S. PATENT DOCUMENTS					
				8,377,044	B2	2/2013	Coe et al.
				8,382,761	B2	2/2013	Holsten et al.
				8,387,848	B2*	3/2013	Johnson A61B 17/068 227/175.1
8,281,974	B2	10/2012	Hessler et al.	8,388,633	B2	3/2013	Rousseau et al.
8,285,367	B2	10/2012	Hyde et al.	8,393,513	B2	3/2013	Jankowski
8,286,845	B2	10/2012	Perry et al.	8,393,514	B2	3/2013	Shelton, IV et al.
8,286,846	B2	10/2012	Smith et al.	8,393,516	B2	3/2013	Kostrzewski
8,287,561	B2	10/2012	Nunez et al.	8,397,971	B2	3/2013	Yates et al.
8,292,147	B2	10/2012	Viola	8,397,973	B1	3/2013	Hausen
8,292,150	B2	10/2012	Bryant	8,398,633	B2	3/2013	Mueller
8,292,151	B2	10/2012	Viola	8,398,673	B2	3/2013	Hinchliffe et al.
8,292,152	B2	10/2012	Milliman et al.	8,403,138	B2	3/2013	Weisshaupt et al.
8,292,155	B2	10/2012	Shelton, IV et al.	8,403,197	B2	3/2013	Vidal et al.
8,292,157	B2	10/2012	Smith et al.	8,403,198	B2	3/2013	Sorrentino et al.
8,292,888	B2	10/2012	Whitman	8,403,945	B2	3/2013	Whitfield et al.
8,298,161	B2	10/2012	Vargas	8,403,950	B2	3/2013	Palmer et al.
8,298,677	B2	10/2012	Wiesner et al.	8,408,439	B2	4/2013	Huang et al.
8,302,323	B2	11/2012	Fortier et al.	8,408,442	B2	4/2013	Racenet et al.
8,308,040	B2	11/2012	Huang et al.	8,409,079	B2	4/2013	Okamoto et al.
8,308,042	B2	11/2012	Aranyi	8,409,174	B2	4/2013	Omori
8,308,043	B2	11/2012	Bindra et al.	8,409,222	B2	4/2013	Whitfield et al.
8,308,046	B2	11/2012	Prommersberger	8,409,223	B2	4/2013	Sorrentino et al.
8,308,659	B2	11/2012	Scheibe et al.	8,413,870	B2	4/2013	Pastorelli et al.
8,313,496	B2	11/2012	Sauer et al.	8,413,871	B2	4/2013	Racenet et al.
8,313,509	B2	11/2012	Kostrzewski	8,413,872	B2	4/2013	Patel
8,317,070	B2	11/2012	Hueil et al.	8,414,577	B2	4/2013	Boudreaux et al.
8,317,071	B1	11/2012	Knodel	8,418,908	B1	4/2013	Beardsley
8,317,074	B2	11/2012	Ortiz et al.	8,418,909	B2	4/2013	Kostrzewski
8,317,790	B2	11/2012	Bell et al.	8,424,737	B2	4/2013	Scirica
8,319,002	B2	11/2012	Daniels et al.	8,424,739	B2	4/2013	Racenet et al.
8,322,455	B2	12/2012	Shelton, IV et al.	8,424,740	B2	4/2013	Shelton, IV et al.
8,322,589	B2	12/2012	Boudreaux	8,424,741	B2	4/2013	McGuckin, Jr. et al.
8,322,590	B2	12/2012	Patel et al.	8,425,600	B2	4/2013	Maxwell
8,323,314	B2	12/2012	Blier	8,430,292	B2	4/2013	Patel et al.
8,323,789	B2	12/2012	Rozhin et al.	8,430,892	B2	4/2013	Bindra et al.
8,328,061	B2	12/2012	Kasvikis	8,430,898	B2	4/2013	Wiener et al.
8,328,062	B2	12/2012	Viola	8,439,246	B1	5/2013	Knodel
8,328,063	B2	12/2012	Milliman et al.	8,444,036	B2	5/2013	Shelton, IV
8,328,064	B2	12/2012	Racenet et al.	8,444,549	B2	5/2013	Viola et al.
8,328,802	B2	12/2012	Deville et al.	8,453,904	B2	6/2013	Eskaros et al.
8,328,823	B2	12/2012	Aranyi et al.	8,453,906	B2	6/2013	Huang et al.
8,333,313	B2	12/2012	Boudreaux et al.	8,453,907	B2	6/2013	Laurent et al.
8,333,691	B2	12/2012	Schaaf	8,453,908	B2	6/2013	Bedi et al.
8,333,764	B2	12/2012	Francischelli et al.	8,453,912	B2	6/2013	Mastri et al.
8,336,753	B2	12/2012	Olson et al.	8,453,914	B2	6/2013	Laurent et al.
8,336,754	B2	12/2012	Cappola et al.	8,454,628	B2	6/2013	Smith et al.
8,342,377	B2	1/2013	Milliman et al.	8,454,640	B2	6/2013	Johnston et al.
8,342,378	B2	1/2013	Marczyk et al.	8,457,757	B2	6/2013	Cauller et al.
8,342,379	B2	1/2013	Whitman et al.	8,459,520	B2	6/2013	Giordano et al.
8,348,123	B2	1/2013	Scirica et al.	8,459,525	B2	6/2013	Yates et al.
8,348,125	B2	1/2013	Viola et al.	8,464,922	B2	6/2013	Marczyk
8,348,126	B2	1/2013	Olson et al.	8,464,923	B2	6/2013	Shelton, IV
8,348,127	B2	1/2013	Marczyk	8,464,924	B2	6/2013	Gresham et al.
8,348,129	B2	1/2013	Bedi et al.	8,464,925	B2	6/2013	Hull et al.
8,348,130	B2	1/2013	Shah et al.	8,465,502	B2	6/2013	Zergiebel
8,348,131	B2	1/2013	Omaits et al.	8,469,973	B2	6/2013	Meade et al.
8,348,972	B2	1/2013	Soltz et al.	8,470,355	B2	6/2013	Skalla et al.
8,353,437	B2	1/2013	Boudreaux	8,474,677	B2	7/2013	Woodard, Jr. et al.
8,353,438	B2	1/2013	Baxter, III et al.	8,475,453	B2	7/2013	Marczyk et al.
8,353,439	B2	1/2013	Baxter, III et al.	8,475,454	B1	7/2013	Alshemari
8,356,740	B1	1/2013	Knodel	8,475,474	B2	7/2013	Bombard et al.
8,357,144	B2	1/2013	Whitman et al.	8,475,491	B2	7/2013	Milo
8,360,296	B2	1/2013	Zingman	8,479,969	B2	7/2013	Shelton, IV
8,360,297	B2	1/2013	Shelton, IV et al.	8,480,703	B2	7/2013	Nicholas et al.
8,360,298	B2	1/2013	Farascioni et al.	8,485,412	B2	7/2013	Shelton, IV et al.
8,360,299	B2	1/2013	Zemlok et al.	8,485,413	B2	7/2013	Scheib et al.
8,361,501	B2	1/2013	DiTizio et al.	8,490,853	B2	7/2013	Criscuolo et al.
8,365,973	B1	2/2013	White et al.	8,491,603	B2	7/2013	Yeung et al.
8,365,975	B1	2/2013	Manoux et al.	8,496,153	B2	7/2013	Demmy et al.
8,365,976	B2	2/2013	Hess et al.	8,496,156	B2	7/2013	Sniffin et al.
8,366,559	B2	2/2013	Papenfuss et al.	8,496,683	B2	7/2013	Prommersberger et al.
8,366,787	B2	2/2013	Brown et al.	8,499,992	B2	8/2013	Whitman et al.
8,371,491	B2	2/2013	Huitema et al.	8,499,993	B2	8/2013	Shelton, IV et al.
8,371,492	B2	2/2013	Aranyi et al.	8,500,762	B2	8/2013	Sholev et al.
8,371,493	B2	2/2013	Aranyi et al.	8,506,555	B2	8/2013	Ruiz Morales
8,372,094	B2	2/2013	Bettuchi et al.	8,506,557	B2	8/2013	Zemlok et al.
8,376,865	B2	2/2013	Forster et al.	8,506,580	B2	8/2013	Zergiebel et al.
8,377,029	B2	2/2013	Nagao et al.	8,506,581	B2	8/2013	Wingardner, III et al.

(56)

References Cited

U.S. PATENT DOCUMENTS

2002/0127265 A1 9/2002 Bowman et al.
2002/0134811 A1 9/2002 Napier et al.
2002/0143340 A1 10/2002 Kaneko
2003/0009193 A1 1/2003 Corsaro
2003/0039689 A1 2/2003 Chen et al.
2003/0078647 A1 4/2003 Vallana et al.
2003/0084983 A1 5/2003 Rangachari et al.
2003/0093103 A1 5/2003 Malackowski et al.
2003/0096158 A1 5/2003 Takano et al.
2003/0139741 A1 7/2003 Goble et al.
2003/0153908 A1 8/2003 Goble et al.
2003/0163085 A1 8/2003 Tanner et al.
2003/0181900 A1 9/2003 Long
2003/0195387 A1 10/2003 Kortenbach et al.
2003/0205029 A1 11/2003 Chapolini et al.
2003/0216732 A1 11/2003 Truckai et al.
2003/0236505 A1 12/2003 Bonadio et al.
2004/0006335 A1 1/2004 Garrison
2004/0006340 A1 1/2004 Latterell et al.
2004/0028502 A1 2/2004 Cummins
2004/0030333 A1 2/2004 Goble
2004/0034357 A1 2/2004 Beane et al.
2004/0044364 A1 3/2004 DeVries et al.
2004/0068161 A1 4/2004 Couvillon
2004/0068224 A1 4/2004 Couvillon et al.
2004/0068307 A1 4/2004 Goble
2004/0070369 A1 4/2004 Sakakibara
2004/0073222 A1 4/2004 Koseki
2004/0078037 A1 4/2004 Batchelor et al.
2004/0093024 A1 5/2004 Lousararian et al.
2004/0098040 A1 5/2004 Taniguchi et al.
2004/0101822 A1 5/2004 Wiesner et al.
2004/0102783 A1 5/2004 Sutterlin et al.
2004/0108357 A1 6/2004 Milliman et al.
2004/0110439 A1 6/2004 Chaikof et al.
2004/0115022 A1 6/2004 Albertson et al.
2004/0116952 A1 6/2004 Sakurai et al.
2004/0147909 A1 7/2004 Johnston et al.
2004/0164123 A1 8/2004 Racenet et al.
2004/0167572 A1 8/2004 Roth et al.
2004/0181219 A1 9/2004 Goble et al.
2004/0193189 A1 9/2004 Kortenbach et al.
2004/0199181 A1 10/2004 Knodel et al.
2004/0222268 A1 11/2004 Bilotti et al.
2004/0225186 A1 11/2004 Horne et al.
2004/0232201 A1 11/2004 Wenchell et al.
2004/0236352 A1 11/2004 Wang et al.
2004/0243147 A1 12/2004 Lipow
2004/0243151 A1 12/2004 Demmy et al.
2004/0243163 A1 12/2004 Casiano et al.
2004/0247415 A1 12/2004 Mangone
2004/0254566 A1 12/2004 Plicchi et al.
2004/0254590 A1 12/2004 Hoffman et al.
2004/0260315 A1 12/2004 Dell et al.
2004/0267310 A1 12/2004 Racenet et al.
2005/0010213 A1 1/2005 Stad et al.
2005/0032511 A1 2/2005 Malone et al.
2005/0033352 A1 2/2005 Zepf et al.
2005/0054946 A1 3/2005 Krzyzanowski
2005/0059997 A1 3/2005 Bauman et al.
2005/0070929 A1 3/2005 Dalessandro et al.
2005/0075561 A1 4/2005 Golden
2005/0080342 A1 4/2005 Gilreath et al.
2005/0085693 A1 4/2005 Belson et al.
2005/0090817 A1 4/2005 Phan
2005/0096605 A1 5/2005 Green et al.
2005/0096683 A1 5/2005 Ellins et al.
2005/0124855 A1 6/2005 Jaffe et al.
2005/0125897 A1 6/2005 Wysluca et al.
2005/0131173 A1 6/2005 McDaniel et al.
2005/0131211 A1 6/2005 Bayley et al.
2005/0131390 A1 6/2005 Heinrich et al.
2005/0131436 A1 6/2005 Johnston et al.
2005/0131457 A1 6/2005 Douglas et al.
2005/0137454 A1 6/2005 Saadat et al.

2005/0137455 A1 6/2005 Ewers et al.
2005/0139636 A1 6/2005 Schwemberger et al.
2005/0143759 A1 6/2005 Kelly
2005/0143769 A1 6/2005 White et al.
2005/0154258 A1 7/2005 Tartaglia et al.
2005/0154406 A1 7/2005 Bombard et al.
2005/0165419 A1 7/2005 Sauer et al.
2005/0169974 A1 8/2005 Tenerz et al.
2005/0171522 A1 8/2005 Christopherson
2005/0177181 A1 8/2005 Kagan et al.
2005/0182298 A1 8/2005 Ikeda et al.
2005/0187545 A1 8/2005 Hooven et al.
2005/0203550 A1 9/2005 Laufer et al.
2005/0216055 A1 9/2005 Scirica et al.
2005/0228224 A1 10/2005 Okada et al.
2005/0240178 A1 10/2005 Morley et al.
2005/0245965 A1 11/2005 Orban, III et al.
2005/0246881 A1 11/2005 Kelly et al.
2005/0256452 A1 11/2005 DeMarchi et al.
2005/0261676 A1 11/2005 Hall et al.
2005/0263563 A1 12/2005 Racenet et al.
2005/0267455 A1 12/2005 Eggers et al.
2005/0283188 A1 12/2005 Loshakove et al.
2006/0008787 A1 1/2006 Hayman et al.
2006/0015009 A1 1/2006 Jaffe et al.
2006/0020258 A1 1/2006 Strauss et al.
2006/0020336 A1 1/2006 Liddicoat
2006/0025812 A1 2/2006 Shelton
2006/0041188 A1 2/2006 Dirusso et al.
2006/0047275 A1 3/2006 Goble
2006/0049229 A1 3/2006 Milliman et al.
2006/0052824 A1 3/2006 Ransick et al.
2006/0052825 A1 3/2006 Ransick et al.
2006/0064086 A1 3/2006 Odom
2006/0079735 A1 4/2006 Martone et al.
2006/0086032 A1 4/2006 Valencic et al.
2006/0087746 A1 4/2006 Lipow
2006/0089535 A1 4/2006 Raz et al.
2006/0100649 A1 5/2006 Hart
2006/0173470 A1 8/2006 Oray et al.
2006/0180634 A1 8/2006 Shelton et al.
2006/0185682 A1 8/2006 Marczyk
2006/0201989 A1 9/2006 Ojeda
2006/0212071 A1 9/2006 Ginn et al.
2006/0235368 A1 10/2006 Oz
2006/0252993 A1 11/2006 Freed et al.
2006/0271102 A1 11/2006 Bosshard et al.
2006/0287576 A1 12/2006 Tsuji et al.
2006/0289602 A1 12/2006 Wales et al.
2006/0291981 A1 12/2006 Viola et al.
2007/0010838 A1 1/2007 Shelton et al.
2007/0026039 A1 2/2007 Drumheller et al.
2007/0026040 A1 2/2007 Crawley et al.
2007/0027468 A1 2/2007 Wales et al.
2007/0027551 A1 2/2007 Farnsworth et al.
2007/0049951 A1 3/2007 Menn
2007/0049966 A1 3/2007 Bonadio et al.
2007/0051375 A1 3/2007 Milliman
2007/0073341 A1 3/2007 Smith et al.
2007/0078484 A1 4/2007 Talarico et al.
2007/0084897 A1 4/2007 Shelton et al.
2007/0093869 A1 4/2007 Bloom et al.
2007/0102472 A1 5/2007 Shelton
2007/0106113 A1 5/2007 Ravo
2007/0106317 A1 5/2007 Shelton et al.
2007/0134251 A1 6/2007 Ashkenazi et al.
2007/0135686 A1 6/2007 Pruitt et al.
2007/0135803 A1 6/2007 Belson
2007/0155010 A1 7/2007 Farnsworth et al.
2007/0170225 A1 7/2007 Shelton et al.
2007/0173687 A1 7/2007 Shima et al.
2007/0173813 A1 7/2007 Odom
2007/0175950 A1 8/2007 Shelton et al.
2007/0175951 A1 8/2007 Shelton et al.
2007/0175955 A1 8/2007 Shelton et al.
2007/0190110 A1 8/2007 Pameijer et al.
2007/0191868 A1 8/2007 Theroux et al.
2007/0194079 A1 8/2007 Hueil et al.
2007/0194082 A1 8/2007 Morgan et al.

(56)		References Cited					
		U.S. PATENT DOCUMENTS					
2012/0080336	A1	4/2012	Shelton, IV et al.	2014/0303645	A1	10/2014	Morgan et al.
2012/0080344	A1	4/2012	Shelton, IV	2014/0330161	A1	11/2014	Swayze et al.
2012/0080478	A1	4/2012	Morgan et al.	2015/0008248	A1	1/2015	Giordano et al.
2012/0080497	A1	4/2012	White et al.	2015/0053737	A1	2/2015	Leimbach et al.
2012/0080498	A1	4/2012	Shelton, IV et al.	2015/0053742	A1	2/2015	Shelton, IV et al.
2012/0109186	A1	5/2012	Parrott et al.	2015/0053743	A1	2/2015	Yates et al.
2012/0125792	A1	5/2012	Cassivi	2015/0053746	A1	2/2015	Shelton, IV et al.
2012/0130421	A1	5/2012	Hafez et al.	2015/0053748	A1	2/2015	Yates et al.
2012/0175398	A1	7/2012	Sandborn et al.	2015/0060518	A1	3/2015	Shelton, IV et al.
2012/0234895	A1	9/2012	O'Connor et al.	2015/0060519	A1	3/2015	Shelton, IV et al.
2012/0234897	A1	9/2012	Shelton, IV et al.	2015/0060520	A1	3/2015	Shelton, IV et al.
2012/0248169	A1	10/2012	Widenhouse et al.	2015/0060521	A1	3/2015	Weisenburgh, II et al.
2012/0283707	A1	11/2012	Giordano et al.	2015/0076208	A1	3/2015	Shelton, IV
2012/0289979	A1	11/2012	Eskaros et al.	2015/0076209	A1	3/2015	Shelton, IV et al.
2012/0292367	A1	11/2012	Morgan et al.	2015/0076210	A1	3/2015	Shelton, IV et al.
2012/0298722	A1	11/2012	Hess et al.	2015/0076212	A1	3/2015	Shelton, IV
2012/0303002	A1	11/2012	Chowaniec et al.	2015/0080868	A1	3/2015	Kerr
2013/0006227	A1	1/2013	Takashino	2015/0083781	A1	3/2015	Giordano et al.
2013/0012983	A1	1/2013	Kleyman	2015/0083782	A1	3/2015	Scheib et al.
2013/0020375	A1	1/2013	Shelton, IV et al.	2015/0090760	A1	4/2015	Giordano et al.
2013/0020376	A1	1/2013	Shelton, IV et al.	2015/0090762	A1	4/2015	Giordano et al.
2013/0023861	A1	1/2013	Shelton, IV et al.	2015/0122870	A1	5/2015	Zemlok et al.
2013/0026208	A1	1/2013	Shelton, IV et al.	2015/0144679	A1*	5/2015	Scirica A61B 17/105 227/180.1
2013/0026210	A1	1/2013	Shelton, IV et al.	2015/0150620	A1	6/2015	Miyamoto et al.
2013/0030462	A1	1/2013	Keating et al.	2015/0173749	A1	6/2015	Shelton, IV et al.
2013/0041406	A1	2/2013	Bear et al.	2015/0173756	A1	6/2015	Baxter, III et al.
2013/0087597	A1	4/2013	Shelton, IV et al.	2015/0173789	A1	6/2015	Baxter, III et al.
2013/0098970	A1	4/2013	Racenet et al.	2015/0196295	A1	7/2015	Shelton, IV et al.
2013/0116669	A1	5/2013	Shelton, IV et al.	2015/0196296	A1	7/2015	Swayze et al.
2013/0131651	A1	5/2013	Strobl et al.	2015/0196299	A1	7/2015	Swayze et al.
2013/0153641	A1	6/2013	Shelton, IV et al.	2015/0201932	A1	7/2015	Swayze et al.
2013/0175317	A1	7/2013	Yates et al.	2015/0201936	A1	7/2015	Swayze et al.
2013/0214025	A1	8/2013	Zemlok et al.	2015/0201937	A1	7/2015	Swayze et al.
2013/0233906	A1	9/2013	Hess et al.	2015/0201938	A1	7/2015	Swayze et al.
2013/0256373	A1	10/2013	Schmid et al.	2015/0201939	A1	7/2015	Swayze et al.
2013/0256380	A1	10/2013	Schmid et al.	2015/0201940	A1	7/2015	Swayze et al.
2013/0261661	A1	10/2013	Piraka	2015/0201941	A1	7/2015	Swayze et al.
2013/0270322	A1	10/2013	Scheib et al.	2015/0231409	A1	8/2015	Racenet et al.
2013/0317305	A1	11/2013	Stevenson et al.	2015/0272557	A1	10/2015	Overmyer et al.
2013/0334280	A1	12/2013	Krehel et al.	2015/0272571	A1	10/2015	Leimbach et al.
2013/0334283	A1	12/2013	Swayze et al.	2015/0272580	A1	10/2015	Leimbach et al.
2013/0334285	A1	12/2013	Swayze et al.	2015/0272582	A1	10/2015	Leimbach et al.
2013/0341374	A1	12/2013	Shelton, IV et al.	2015/0297222	A1*	10/2015	Huitema A61B 17/068 227/176.1
2014/0001231	A1	1/2014	Shelton, IV et al.	2015/0297223	A1	10/2015	Huitema et al.
2014/0001234	A1	1/2014	Shelton, IV et al.	2015/0297225	A1	10/2015	Huitema et al.
2014/0005640	A1	1/2014	Shelton, IV et al.	2015/0297228	A1	10/2015	Huitema et al.
2014/0005678	A1	1/2014	Shelton, IV et al.	2015/0297229	A1	10/2015	Schellin et al.
2014/0005702	A1	1/2014	Timm et al.	2015/0297233	A1	10/2015	Huitema et al.
2014/0005718	A1	1/2014	Shelton, IV et al.	2015/0297234	A1	10/2015	Schellin et al.
2014/0012299	A1	1/2014	Stoddard et al.	2015/0313594	A1	11/2015	Shelton, IV et al.
2014/0014705	A1	1/2014	Baxter, III	2015/0324317	A1	11/2015	Collins et al.
2014/0018832	A1	1/2014	Shelton, IV	2015/0327864	A1	11/2015	Hodgkinson et al.
2014/0039549	A1	2/2014	Belsky et al.	2015/0374369	A1	12/2015	Yates et al.
2014/0048580	A1	2/2014	Merchant et al.	2015/0374378	A1	12/2015	Giordano et al.
2014/0103098	A1	4/2014	Choi et al.	2016/0000431	A1	1/2016	Giordano et al.
2014/0107640	A1	4/2014	Yates et al.	2016/0000437	A1	1/2016	Giordano et al.
2014/0151433	A1	6/2014	Shelton, IV et al.	2016/0000438	A1	1/2016	Swayze et al.
2014/0158747	A1	6/2014	Measamer et al.	2016/0000442	A1	1/2016	Shelton, IV
2014/0166724	A1	6/2014	Schellin et al.	2016/0000452	A1	1/2016	Yates et al.
2014/0166725	A1	6/2014	Schellin et al.	2016/0000453	A1	1/2016	Yates et al.
2014/0166726	A1	6/2014	Schellin et al.	2016/0058443	A1	3/2016	Yates et al.
2014/0175152	A1	6/2014	Hess et al.	2016/0066913	A1	3/2016	Swayze et al.
2014/0188159	A1	7/2014	Steege	2016/0074040	A1	3/2016	Widenhouse et al.
2014/0224857	A1	8/2014	Schmid	2016/0089137	A1	3/2016	Hess et al.
2014/0243865	A1	8/2014	Swayze et al.	2016/0089142	A1*	3/2016	Harris A61B 17/07207 606/219
2014/0246475	A1	9/2014	Hall et al.	2016/0095585	A1	4/2016	Zergiebel et al.
2014/0248167	A1	9/2014	Sugimoto et al.	2016/0106426	A1*	4/2016	Shelton, IV A61B 17/07207 227/176.1
2014/0249557	A1	9/2014	Koch et al.	2016/0106427	A1*	4/2016	Shelton, IV A61B 17/07207 227/180.1
2014/0263541	A1	9/2014	Leimbach et al.	2016/0106431	A1	4/2016	Shelton, IV et al.
2014/0263552	A1	9/2014	Hall et al.	2016/0113653	A1	4/2016	Zingman
2014/0263558	A1	9/2014	Hausen et al.	2016/0120545	A1	5/2016	Shelton, IV et al.
2014/0284371	A1	9/2014	Morgan et al.	2016/0166256	A1	6/2016	Baxter, III et al.
2014/0291379	A1	10/2014	Schellin et al.	2016/0174974	A1	6/2016	Schmid et al.
2014/0291383	A1	10/2014	Spivey et al.	2016/0183939	A1	6/2016	Shelton, IV et al.
2014/0299648	A1	10/2014	Shelton, IV et al.				

(56)

References Cited

U.S. PATENT DOCUMENTS

2016/0183943	A1	6/2016	Shelton, IV		2018/0168591	A1	6/2018	Swayze et al.
2016/0183944	A1	6/2016	Swensgard et al.		2018/0168592	A1	6/2018	Overmyer et al.
2016/0192916	A1	7/2016	Shelton, IV et al.		2018/0168593	A1	6/2018	Overmyer et al.
2016/0192918	A1	7/2016	Shelton, IV et al.		2018/0168594	A1	6/2018	Shelton, IV et al.
2016/0199063	A1	7/2016	Mandakolathur Vasudevan et al.		2018/0168596	A1	6/2018	Beckman et al.
2016/0199089	A1	7/2016	Hess et al.		2018/0168597	A1	6/2018	Fanelli et al.
2016/0199956	A1	7/2016	Shelton, IV et al.		2018/0168598	A1	6/2018	Shelton, IV et al.
2016/0206314	A1	7/2016	Scheib et al.		2018/0168600	A1*	6/2018	Shelton, IV A61B 17/07207
2016/0235404	A1	8/2016	Shelton, IV		2018/0168601	A1	6/2018	Bakos et al.
2016/0235409	A1	8/2016	Shelton, IV et al.		2018/0168602	A1	6/2018	Bakos et al.
2016/0235494	A1	8/2016	Shelton, IV et al.		2018/0168603	A1	6/2018	Morgan et al.
2016/0242783	A1	8/2016	Shelton, IV et al.		2018/0168604	A1	6/2018	Shelton, IV et al.
2016/0249910	A1	9/2016	Shelton, IV et al.		2018/0168605	A1	6/2018	Baber et al.
2016/0249922	A1	9/2016	Morgan et al.		2018/0168606	A1	6/2018	Shelton, IV et al.
2016/0256071	A1	9/2016	Shelton, IV et al.		2018/0168607	A1	6/2018	Shelton, IV et al.
2016/0256154	A1	9/2016	Shelton, IV et al.		2018/0168608	A1	6/2018	Shelton, IV et al.
2016/0256160	A1	9/2016	Shelton, IV et al.		2018/0168609	A1	6/2018	Fanelli et al.
2016/0256229	A1	9/2016	Morgan et al.		2018/0168610	A1	6/2018	Shelton, IV et al.
2016/0262745	A1	9/2016	Morgan et al.		2018/0168613	A1	6/2018	Shelton, IV et al.
2016/0262746	A1	9/2016	Shelton, IV et al.		2018/0168614	A1	6/2018	Shelton, IV et al.
2016/0270780	A1	9/2016	Hall et al.		2018/0168615	A1	6/2018	Shelton, IV et al.
2016/0270789	A1*	9/2016	Gupta A61B 17/07207		2018/0168616	A1	6/2018	Shelton, IV et al.
2016/0338702	A1*	11/2016	Ehrenfels A61B 17/07207		2018/0168617	A1	6/2018	Shelton, IV et al.
2017/0027572	A1	2/2017	Nalagatla et al.		2018/0168618	A1	6/2018	Scott et al.
2017/0055996	A1*	3/2017	Baxter, III A61B 17/072		2018/0168619	A1	6/2018	Scott et al.
2017/0055997	A1*	3/2017	Swayze A61B 17/064		2018/0168621	A1	6/2018	Shelton, IV et al.
2017/0056000	A1	3/2017	Nalagatla et al.		2018/0168623	A1	6/2018	Simms et al.
2017/0056002	A1	3/2017	Nalagatla et al.		2018/0168624	A1	6/2018	Shelton, IV et al.
2017/0056005	A1	3/2017	Shelton, IV et al.		2018/0168625	A1	6/2018	Posada et al.
2017/0095250	A1*	4/2017	Kostrzewski A61B 17/07207		2018/0168626	A1	6/2018	Shelton, IV et al.
2017/0105727	A1	4/2017	Scheib et al.		2018/0168627	A1	6/2018	Weaner et al.
2017/0105731	A1	4/2017	Scheib et al.		2018/0168628	A1	6/2018	Hunter et al.
2017/0119388	A1	5/2017	Kostrzewski		2018/0168629	A1*	6/2018	Shelton, IV A61B 17/07207
2017/0224331	A1	8/2017	Worthington et al.		2018/0168630	A1	6/2018	Shelton, IV et al.
2017/0224332	A1	8/2017	Hunter et al.		2018/0168631	A1	6/2018	Harris et al.
2017/0224334	A1	8/2017	Worthington et al.		2018/0168632	A1	6/2018	Harris et al.
2017/0224335	A1	8/2017	Weaner et al.		2018/0168633	A1	6/2018	Shelton, IV et al.
2017/0231627	A1	8/2017	Shelton, IV et al.		2018/0168634	A1	6/2018	Harris et al.
2017/0231628	A1	8/2017	Shelton, IV et al.		2018/0168635	A1	6/2018	Shelton, IV et al.
2017/0231633	A1*	8/2017	Marczyk A61B 17/068 227/175.2		2018/0168636	A1	6/2018	Shelton, IV et al.
2017/0245856	A1	8/2017	Baxter, III et al.		2018/0168637	A1*	6/2018	Harris A61B 17/07207
2017/0245857	A1	8/2017	Shelton, IV et al.		2018/0168638	A1	6/2018	Harris et al.
2017/0281164	A1	10/2017	Harris et al.		2018/0168639	A1	6/2018	Shelton, IV et al.
2017/0281169	A1	10/2017	Harris et al.		2018/0168640	A1	6/2018	Shelton, IV et al.
2017/0281171	A1	10/2017	Shelton, IV et al.		2018/0168641	A1	6/2018	Harris et al.
2017/0281173	A1	10/2017	Shelton, IV et al.		2018/0168642	A1	6/2018	Shelton, IV et al.
2017/0281174	A1	10/2017	Harris et al.		2018/0168643	A1*	6/2018	Shelton, IV A61B 17/07207
2017/0281183	A1	10/2017	Miller et al.		2018/0168644	A1	6/2018	Shelton, IV et al.
2017/0281184	A1	10/2017	Shelton, IV et al.		2018/0168645	A1	6/2018	Shelton, IV et al.
2017/0281186	A1	10/2017	Shelton, IV et al.		2018/0168646	A1	6/2018	Shelton, IV et al.
2017/0281187	A1	10/2017	Shelton, IV et al.		2018/0168647	A1*	6/2018	Shelton, IV A61B 17/07207
2017/0281189	A1	10/2017	Nalagatla et al.		2018/0168648	A1*	6/2018	Shelton, IV A61B 17/07207
2017/0303924	A1*	10/2017	Scheib A61B 17/068		2018/0168649	A1	6/2018	Shelton, IV et al.
2017/0360423	A1	12/2017	Stevenson et al.		2018/0168650	A1*	6/2018	Shelton, IV A61B 17/07207
2017/0367695	A1	12/2017	Shelton, IV et al.		2018/0168651	A1	6/2018	Shelton, IV et al.
2017/0367696	A1	12/2017	Shelton, IV et al.		2019/0059886	A1*	2/2019	Shelton, IV A61B 17/07207
2017/0367697	A1	12/2017	Shelton, IV et al.		2019/0059887	A1*	2/2019	Beardsley A61B 17/07207
2017/0367698	A1	12/2017	Shelton, IV et al.		2019/0105047	A1*	4/2019	Nalagatla A61B 17/072
2017/0367699	A1	12/2017	Shelton, IV et al.		2019/0125344	A1*	5/2019	DiNardo A61B 17/07207
2018/0103948	A1	4/2018	Baxter, III et al.		2019/0150927	A1*	5/2019	Aranyi A61B 17/105
2018/0110513	A1	4/2018	Baxter, III et al.		2019/0261992	A1	8/2019	Shelton, IV et al.
2018/0110517	A1	4/2018	Baxter, III et al.		2019/0269402	A1*	9/2019	Murray A61B 17/072
2018/0125484	A1*	5/2018	Kostrzewski A61B 17/07207		2019/0290279	A1	9/2019	Harris et al.
2018/0168575	A1	6/2018	Simms et al.		2019/0328390	A1*	10/2019	Harris A61B 17/0682
2018/0168577	A1	6/2018	Aronhalt et al.		2020/0015822	A1*	1/2020	Marczyk A61B 17/105
2018/0168578	A1	6/2018	Aronhalt et al.					
2018/0168579	A1	6/2018	Aronhalt et al.					
2018/0168580	A1	6/2018	Hunter et al.					
2018/0168581	A1	6/2018	Hunter et al.					
2018/0168584	A1	6/2018	Harris et al.					
2018/0168585	A1*	6/2018	Shelton, IV A61B 17/072					
2018/0168586	A1*	6/2018	Shelton, IV A61B 17/072					
2018/0168589	A1	6/2018	Swayze et al.					
2018/0168590	A1	6/2018	Overmyer et al.					

FOREIGN PATENT DOCUMENTS

CA	2813230	A1	4/2012
CA	2795323	A1	5/2014
CN	1163558	A	10/1997
CN	2488482	Y	5/2002
CN	1634601	A	7/2005
CN	2716900	Y	8/2005
CN	2738962	Y	11/2005
CN	2868212	Y	2/2007
CN	201949071	U	8/2011
CN	101779977	B	12/2011
CN	202397539	U	8/2012

(56)

References Cited

FOREIGN PATENT DOCUMENTS

CN	202982106	U	6/2013	FR	1112936	A	3/1956
CN	203777011	U	8/2014	FR	2598905	A1	11/1987
DE	273689	C	5/1914	FR	2765794	A1	1/1999
DE	1775926	A	1/1972	FR	2815842	A1	5/2002
DE	3036217	A1	4/1982	GB	939929	A	10/1963
DE	3210466	A1	9/1983	GB	1210522	A	10/1970
DE	3709067	A1	9/1988	GB	1217159	A	12/1970
DE	19851291	A1	1/2000	GB	1339394	A	12/1973
DE	19924311	A1	11/2000	GB	2024012	A	1/1980
DE	20016423	U1	2/2001	GB	2109241	A	6/1983
DE	20112837	U1	10/2001	GB	2272159	A	5/1994
DE	20121753	U1	4/2003	GB	2336214	A	10/1999
DE	202004012389	U1	9/2004	GR	930100110	A	11/1993
DE	10314072	A1	10/2004	JP	S4711908	Y1	5/1972
DE	202007003114	U1	6/2007	JP	S56112235	A	9/1981
EP	0000756	A1	2/1979	JP	S62170011	U	10/1987
EP	0122046	A1	10/1984	JP	H04215747	A	8/1992
EP	0129442	B1	11/1987	JP	H04131860	U	12/1992
EP	0169044	B1	6/1991	JP	H0584252	A	4/1993
EP	0548998	A1	6/1993	JP	H05123325	A	5/1993
EP	0594148	A1	4/1994	JP	H0630945	A	2/1994
EP	0646357	A1	4/1995	JP	H06237937	A	8/1994
EP	0505036	B1	5/1995	JP	H06327684	A	11/1994
EP	0669104	A1	8/1995	JP	H079622	U	2/1995
EP	0705571	A1	4/1996	JP	H07124166	A	5/1995
EP	0528478	B1	5/1996	JP	H07255735	A	10/1995
EP	0770355	A1	5/1997	JP	H07285089	A	10/1995
EP	0625335	B1	11/1997	JP	H08164141	A	6/1996
EP	0879742	A1	11/1998	JP	H08182684	A	7/1996
EP	0650701	B1	3/1999	JP	H08507708	A	8/1996
EP	0923907	A1	6/1999	JP	H08229050	A	9/1996
EP	0484677	B2	7/2000	JP	H10118090	A	5/1998
EP	1034747	A1	9/2000	JP	2000014632	A	1/2000
EP	1034748	A1	9/2000	JP	2000033071	A	2/2000
EP	1053719	A1	11/2000	JP	2000112002	A	4/2000
EP	1055399	A1	11/2000	JP	2000166932	A	6/2000
EP	1055400	A1	11/2000	JP	2000171730	A	6/2000
EP	1080694	A1	3/2001	JP	2000287987	A	10/2000
EP	1090592	A1	4/2001	JP	2000325303	A	11/2000
EP	1095627	A1	5/2001	JP	2001087272	A	4/2001
EP	0806914	B1	9/2001	JP	2001514541	A	9/2001
EP	1284120	A1	2/2003	JP	2001276091	A	10/2001
EP	0869742	B1	5/2003	JP	2002051974	A	2/2002
EP	1374788	A1	1/2004	JP	2002085415	A	3/2002
EP	1407719	A2	4/2004	JP	2002143078	A	5/2002
EP	0996378	B1	6/2004	JP	2002528161	A	9/2002
EP	1157666	B1	9/2005	JP	2002314298	A	10/2002
EP	0880338	B1	10/2005	JP	2003135473	A	5/2003
EP	1158917	B1	11/2005	JP	2003521301	A	7/2003
EP	1344498	B1	11/2005	JP	2003300416	A	10/2003
EP	1330989	B1	12/2005	JP	2004147701	A	5/2004
EP	1632191	A2	3/2006	JP	2004162035	A	6/2004
EP	1082944	B1	5/2006	JP	2004229976	A	8/2004
EP	1253866	B1	7/2006	JP	2005013573	A	1/2005
EP	1285633	B1	12/2006	JP	2005080702	A	3/2005
EP	1011494	B1	1/2007	JP	2005131163	A	5/2005
EP	1767163	A1	3/2007	JP	2005131164	A	5/2005
EP	1837041	A1	9/2007	JP	2005131173	A	5/2005
EP	0922435	B1	10/2007	JP	2005131211	A	5/2005
EP	1599146	B1	10/2007	JP	2005131212	A	5/2005
EP	1330201	B1	6/2008	JP	2005137423	A	6/2005
EP	2039302	A2	3/2009	JP	2005328882	A	12/2005
EP	1719461	B1	6/2009	JP	2005335432	A	12/2005
EP	1769754	B1	6/2010	JP	2005342267	A	12/2005
EP	1627605	B1	12/2010	JP	2006187649	A	7/2006
EP	2316345	A1	5/2011	JP	2006281405	A	10/2006
EP	1936253	B1	10/2011	JP	2006346445	A	12/2006
EP	2486862	A2	8/2012	JP	2009507526	A	2/2009
EP	2517638	A1	10/2012	JP	2009189838	A	8/2009
EP	2649948	A1	10/2013	JP	2009539420	A	11/2009
EP	2649949	A1	10/2013	JP	2010069310	A	4/2010
EP	2713902	A1	4/2014	JP	2010098844	A	4/2010
EP	2621364	B1	6/2017	JP	2011524199	A	9/2011
FR	459743	A	11/1913	KR	20110003229	A	1/2011
FR	999646	A	2/1952	RU	2008830	C1	3/1994
				RU	2052979	C1	1/1996
				RU	2098025	C1	12/1997
				RU	2141279	C1	11/1999
				RU	2144791	C1	1/2000

(56)

References Cited

FOREIGN PATENT DOCUMENTS

RU 2161450 C1 1/2001
 RU 2181566 C2 4/2002
 RU 2187249 C2 8/2002
 RU 32984 U1 10/2003
 RU 2225170 C2 3/2004
 RU 42750 U1 12/2004
 RU 61114 U1 2/2007
 SU 189517 A 1/1967
 SU 328636 A 9/1972
 SU 674747 A1 7/1979
 SU 1009439 A 4/1983
 SU 1333319 A2 8/1987
 SU 1377053 A1 2/1988
 SU 1509051 A1 9/1989
 SU 1561964 A1 5/1990
 SU 1708312 A1 1/1992
 SU 1722476 A1 3/1992
 SU 1752361 A1 8/1992
 SU 1814161 A1 5/1993
 WO WO-9315648 A1 8/1993
 WO WO-9420030 A1 9/1994
 WO WO-9517855 A1 7/1995
 WO WO-9520360 A1 8/1995
 WO WO-9623448 A1 8/1996
 WO WO-9635464 A1 11/1996
 WO WO-9639086 A1 12/1996
 WO WO-9639088 A1 12/1996
 WO WO-9724073 A1 7/1997
 WO WO-9734533 A1 9/1997
 WO WO-9903407 A1 1/1999
 WO WO-9903409 A1 1/1999
 WO WO-9948430 A1 9/1999
 WO WO-0024322 A1 5/2000
 WO WO-0024330 A1 5/2000
 WO WO-0053112 A2 9/2000
 WO WO-0057796 A1 10/2000
 WO WO-0105702 A1 1/2001
 WO WO-0154594 A1 8/2001
 WO WO-0158371 A1 8/2001
 WO WO-0162164 A2 8/2001
 WO WO-0162169 A2 8/2001
 WO WO-0191646 A1 12/2001
 WO WO-0219932 A1 3/2002
 WO WO-0226143 A1 4/2002
 WO WO-0236028 A1 5/2002
 WO WO-02065933 A2 8/2002
 WO WO-03055402 A1 7/2003
 WO WO-03094747 A1 11/2003
 WO WO-03079909 A3 3/2004
 WO WO-2004019803 A1 3/2004
 WO WO-2004032783 A1 4/2004
 WO WO-2004047626 A1 6/2004
 WO WO-2004047653 A2 6/2004
 WO WO-2004056277 A1 7/2004
 WO WO-2004078050 A2 9/2004
 WO WO-2004078051 A2 9/2004
 WO WO-2004096015 A2 11/2004
 WO WO-2006044581 A2 4/2006
 WO WO-2006051252 A1 5/2006
 WO WO-2006059067 A1 6/2006
 WO WO-2006085389 A1 8/2006
 WO WO-2007074430 A1 7/2007
 WO WO-2007129121 A1 11/2007
 WO WO-2007137304 A2 11/2007
 WO WO-2007142625 A2 12/2007
 WO WO-2008021969 A2 2/2008
 WO WO-2008089404 A2 7/2008
 WO WO-2009005969 A2 1/2009
 WO WO-2009067649 A2 5/2009
 WO WO-2009091497 A2 7/2009
 WO WO-2011008672 A2 1/2011
 WO WO-2011044343 A2 4/2011
 WO WO-2012006306 A2 1/2012
 WO WO-2012013577 A1 2/2012
 WO WO-2012044606 A2 4/2012

WO WO-2012166503 A1 12/2012
 WO WO-2013151888 A1 10/2013
 WO WO-2015153340 A2 10/2015

OTHER PUBLICATIONS

Li et al. "Mg-Zr-Sr Alloys as Biodegradable Implant Materials," *Acta Biomaterialia* 8 (2012) 3177-3188 (12 pages).
 Brar et al., "Investigation of the mechanical and degradation properties of Mg-Sr and Mg-Zn-Sr alloys for use as potential biodegradable implant materials," *J. Mech. Behavior of Biomed. Mater.* 7 (2012) pp. 87-95.
 Fast, *Versatile Blackfin Processors Handle Advanced RFID Reader Applications*; Analog Dialogue: vol. 40—Sep. 2006; <http://www.analog.com/library/analogDialogue/archives/40-09/rfid.pdf>; Wayback Machine to Feb. 15, 2012.
 Covidien Brochure, "Endo GIA™ Black Reload with Tri-Staple™ Technology," (2012), 2 pages.
 Erdmann et al., "Evaluation of the Soft Tissue Biocompatibility of MgCa0.8 and Surgical Steel 316L in Vivo: A Comparative Study In Rabbits," *Biomed. Eng. OnLine* 2010 9:63 (17 pages).
 The Sodem Aseptic Battery Transfer Kit, Sodem Systems, 2000, 3 pages.
 Yan et al, Comparison of the effects of Mg-6Zn and Ti-3Al-2.5V alloys on TGF-β/TNF-α/VEGF/b-FGF in the healing of the intestinal track in vivo, *Biomed. Mater.* 9 (2014), 11 pages.
 Pellicer et al. "On the biodegradability, mechanical behavior, and cytocompatibility of amorphous Mg72Zn23Ca5 and crystalline Mg70Zn23Ca5Pd2 alloys as temporary implant materials," *J Biomed Mater Res Part A*, 2013:101A:502-517.
 Yan et al., "Comparison of the effects of Mg-6Zn and titanium on intestinal tract in vivo," *J Mater Sci: Mater Med* (2013), 11 pages.
 Schellhammer et al., "Poly-Lactic-Acid for Coating of Endovascular Stents: Preliminary Results in Canine Experimental Av-Fistulae," *Mat.-wiss. u. Werkstofftech.*, 32, pp. 193-199 (2001).
 Miyata et al., "Biomolecule-Sensitive Hydrogels," *Advanced Drug Delivery Reviews*, 54 (2002) pp. 79-98.
 Jeong et al., "Thermosensitive Sol-Gel Reversible Hydrogels," *Advanced Drug Delivery Reviews*, 54 (2002) pp. 37-51.
 Covidien Brochure, "Endo GIA™ Ultra Universal Stapler," (2010), 2 pages.
 Qiu et al., "Environment-Sensitive Hydrogels for Drug Delivery," *Advanced Drug Delivery Reviews*, 53 (2001) pp. 321-339.
 Hoffman, "Hydrogels for Biomedical Applications," *Advanced Drug Delivery Reviews*, 43 (2002) pp. 3-12.
 Hoffman, "Hydrogels for Biomedical Applications," *Advanced Drug Delivery Reviews*, 54 (2002) pp. 3-12.
 Peppas, "Physiologically Responsive Hydrogels," *Journal of Bioactive and Compatible Polymers*, vol. 6 (Jul. 1991) pp. 241-246.
 Peppas, Editor "Hydrogels in Medicine and Pharmacy," vol. I, *Fundamentals*, CRC Press, 1986.
 Young, "Microcellular foams via phase separation," *Journal of Vacuum Science & Technology* 4(3), (May/June 1986).
 Chen et al., "Elastomeric Biomaterials for Tissue Engineering," *Progress in Polymer Science* 38 (2013), pp. 584-671.
 Ebara, "Carbohydrate-Derived Hydrogels and Microgels," *Engineered Carbohydrate-Based Materials for Biomedical Applications: Polymers, Surfaces, Dendrimers, Nanoparticles, and Hydrogels*, Edited by Ravin Narain, 2011, pp. 337-345.
 Matsuda, "Thermodynamics of Formation of Porous Polymeric Membrane from Solutions," *Polymer Journal*, vol. 23, no. 5, pp. 435-444 (1991).
 Byrne et al., "Molecular Imprinting Within Hydrogels," *Advanced Drug Delivery Reviews*, 54 (2002) pp. 149-161.
 Covidien Brochure, "Endo GIA™ Reloads with Tri-Staple™ Technology," (2010), 1 page.
 Covidien Brochure, "Endo GIA™ Reloads with Tri-Staple™ Technology and Endo GIA™ Ultra Universal Staplers," (2010), 2 pages.
 Covidien Brochure, "Endo GIA™ Curved Tip Reload with Tri-Staple™ Technology," (2012), 2 pages.
 Covidien Brochure, "Endo GIA™ Reloads with Tri-Staple™ Technology," (2010), 2 pages.

(56)

References Cited

OTHER PUBLICATIONS

<http://ninpgan.net/publications/51-100/89.pdf>; 2004, Ning Pan, On Uniqueness of Fibrous Materials, Design & Nature II. Eds: Collins, M. And Brebbia, C. WIT Press, Boston, 493-504.

D. Tuite, Ed., "Get the Lowdown on Ultracapacitors," Nov. 15, 2007; [online] URL: <http://electronicdesign.com/Articles/Print.cfm?ArticleID=17465>, accessed Jan. 15, 2008 (5 pages).

C.C. Thompson et al., "Peroral Endoscopic Reduction of Dilated Gastrojejunal Anastomosis After Roux-en-Y Gastric Bypass: A Possible New Option for Patients with Weight Regain," Surg Endosc (2006) vol. 20., pp. 1744-1748.

Datasheet for Panasonic TK Relays Ultra Low Profile 2 A Polarized Relay, Copyright Matsushita Electric Works, Ltd. (Known of at least as early as Aug. 17, 2010), 5 pages.

B.R. Coolman, DVM, MS et al., "Comparison of Skin Staples With Sutures for Anastomosis of the Small Intestine in Dogs," Abstract; <http://www.blackwell-synergy.com/doi/abs/10.1053/jvet.2000.7539?cookieSet=1&journalCode=vsu> which redirects to <http://www3.interscience.wiley.com/journal/119040681/abstract?Cretry=1&Sretry=0>; [online] accessed: Sep. 22, 2008 (2 pages).

Indian Standard: Automotive Vehicles—Brakes and Braking Systems (IS 11852-1:2001), Mar. 1, 2001.

Disclosed Anonymously, "Motor-Driven Surgical Stapler Improvements," Research Disclosure Database No. 526041, Published: Feb. 2008.

Van Meer et al., "A Disposable Plastic Compact Wrist for Smart Minimally Invasive Surgical Tools," LAAS/CNRS (Aug. 2005).

Breedveld et al., "A New, Easily Miniaturized Sterrable Endoscope," IEEE Engineering in Medicine and Biology Magazine (Nov./Dec. 2005).

ASTM procedure D2240-00, "Standard Test Method for Rubber Property-Durometer Hardness," (Published Aug. 2000).

ASTM procedure D2240-05, "Standard Test Method for Rubber Property-Durometer Hardness," (Published Apr. 2010).

Pitt et al., "Attachment of Hyaluronan to Metallic Surfaces," J. Biomed. Mater. Res. 68A: pp. 95-106, 2004.

Solorio et al., "Gelatin Microspheres Crosslinked with Genipin for Local Delivery of Growth Factors," J. Tissue Eng. Regen. Med. (2010), 4(7): pp. 514-523.

Biomedical Coatings, Fort Wayne Metals, Research Products Corporation, obtained online at www.fwmetals.com on Jun. 21, 2010 (1 page).

Anonymous: "Stamping (metalworking)—Wikipedia," Jun. 6, 2016, Retrieved from the Internet: URL: [https://en.wikipedia.org/w/index.php?title=Stamping_\(metalworking\)&oldid=723906245](https://en.wikipedia.org/w/index.php?title=Stamping_(metalworking)&oldid=723906245) [retrieved on May 15, 2018].

* cited by examiner

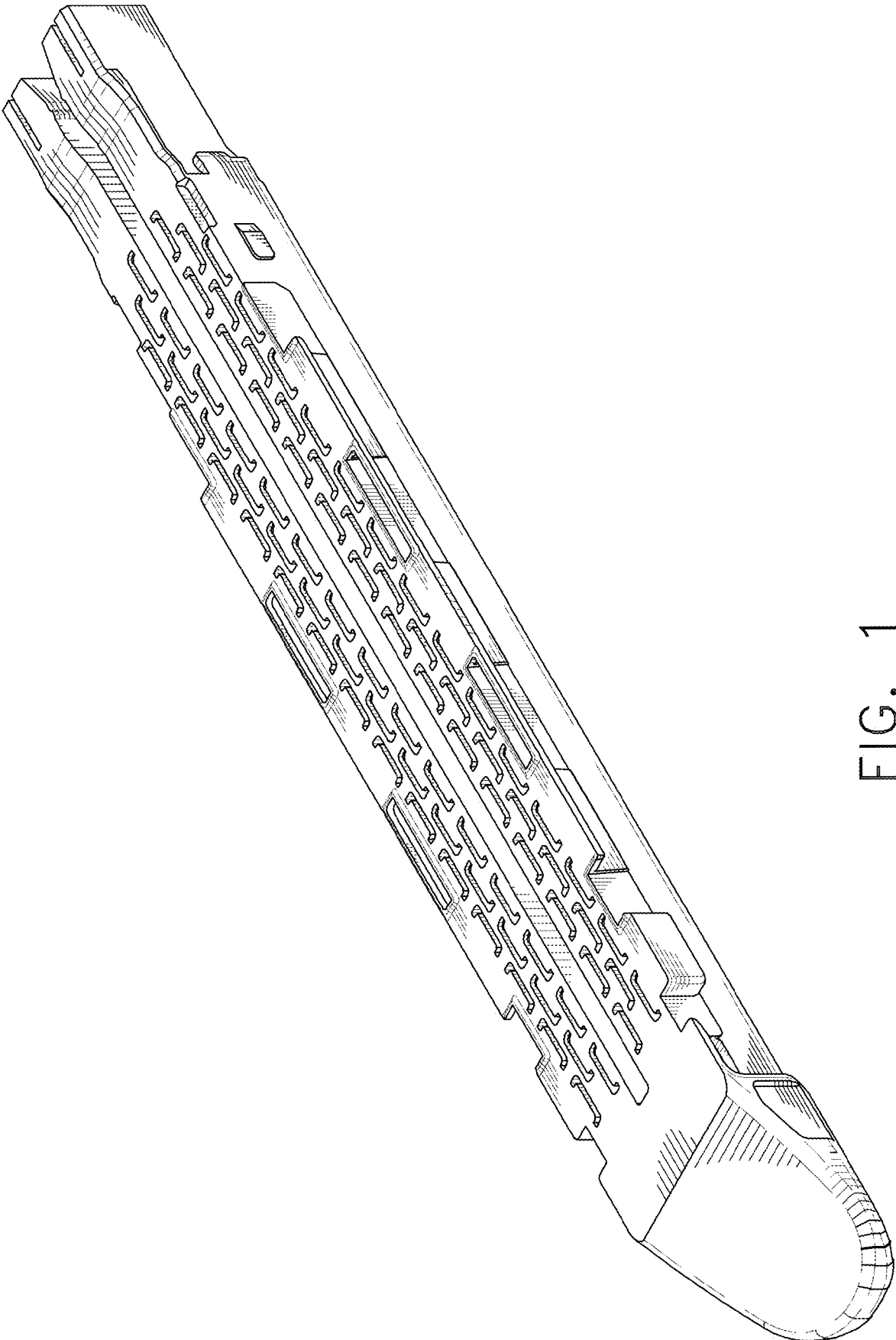


FIG. 1

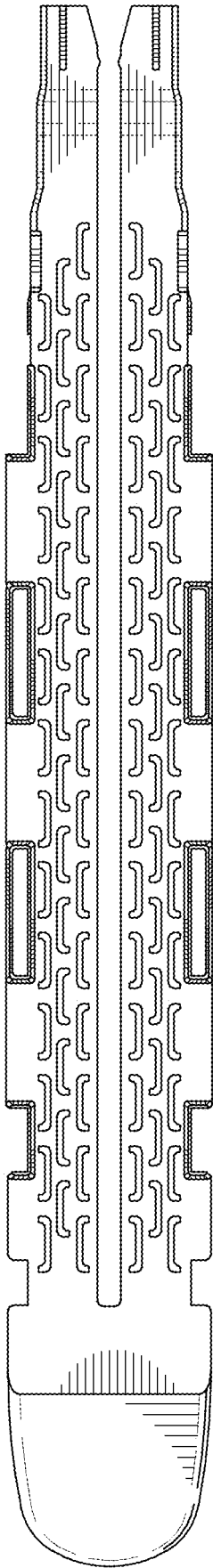


FIG. 2

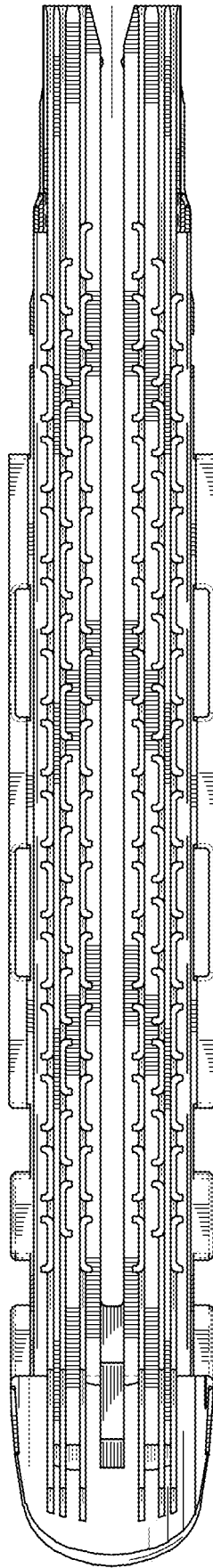


FIG. 3

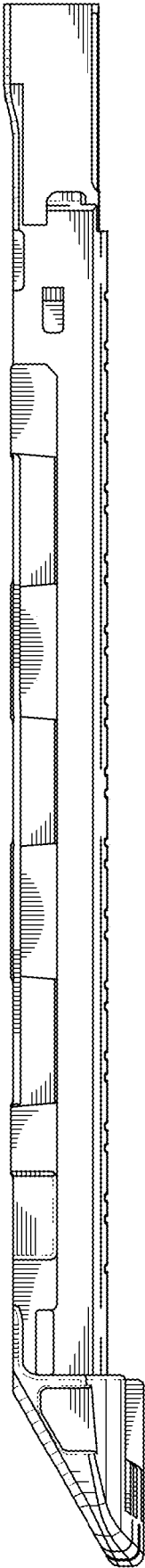


FIG. 4

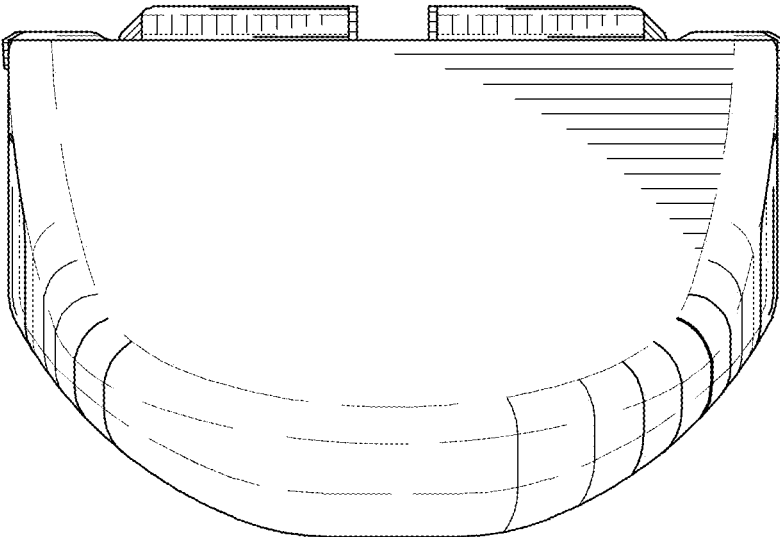


FIG. 5

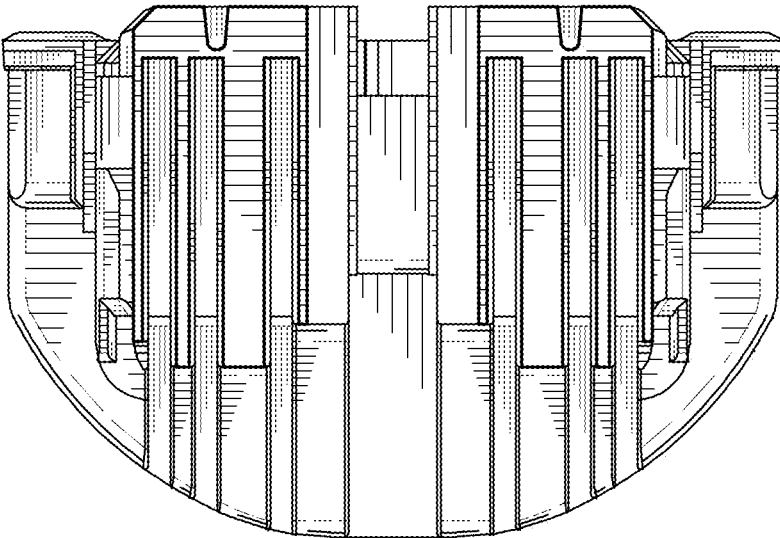


FIG. 6

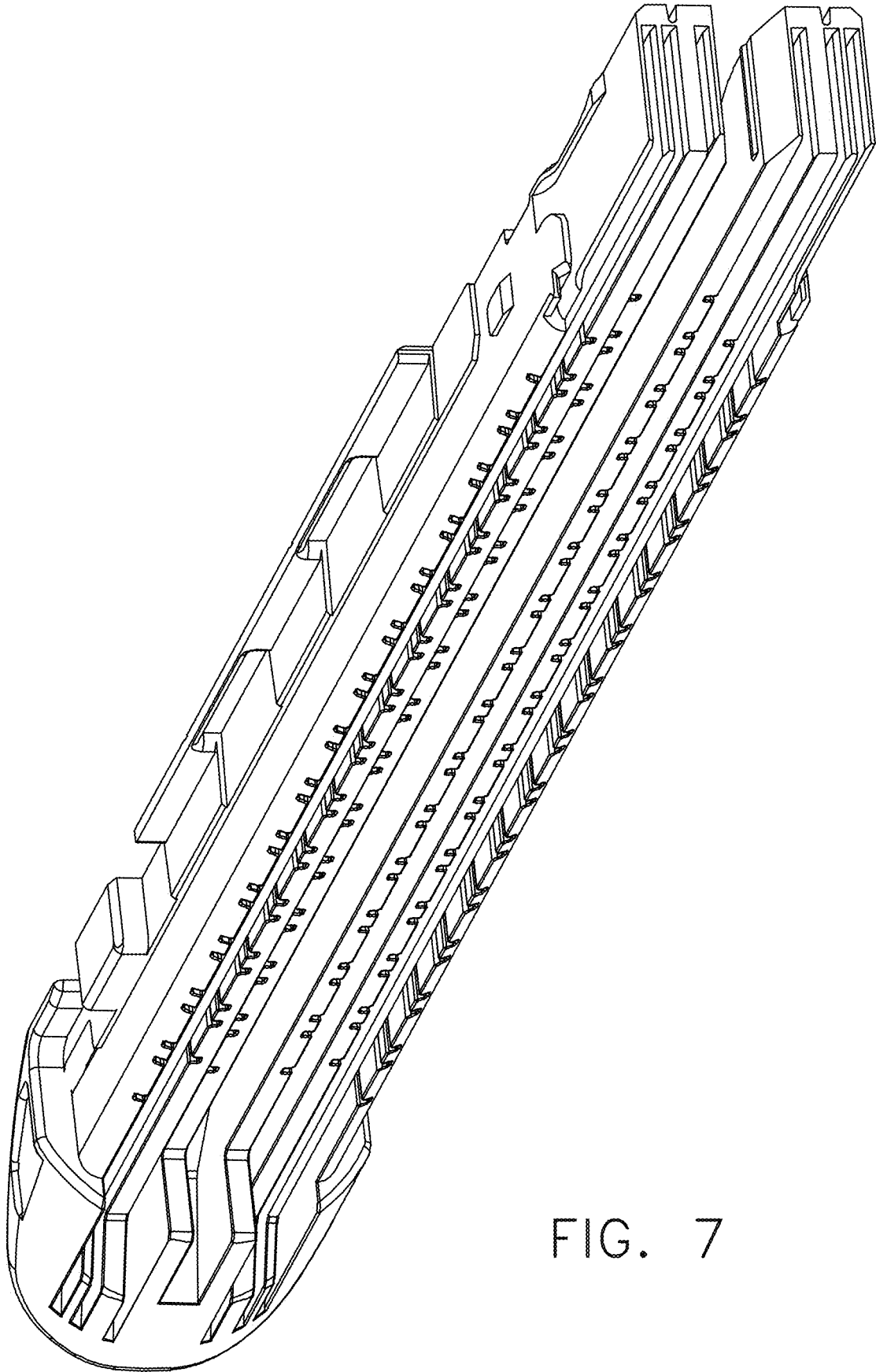


FIG. 7