



US00D919019S

(12) **United States Design Patent**
Jaquish et al.

(10) **Patent No.:** **US D919,019 S**

(45) **Date of Patent:** **** May 11, 2021**

(54) **EXERCISE APPARATUS**

4,441,707 A 4/1984 Bosch
D287,283 S * 12/1986 Johnson E04F 11/0201
182/228.1

(71) Applicant: **Jaquish Biomedical Corporation**,
Nevada City, CA (US)

D289,538 S 4/1987 Wilson
D309,933 S 8/1990 Brown, Jr.
D320,428 S 10/1991 Rust

(72) Inventors: **John Paul Jacquish**, Nevada City, CA
(US); **Paul Edward Jacquish**, Nevada
City, CA (US); **Henry David Alkire**,
Nevada City, CA (US)

(Continued)

FOREIGN PATENT DOCUMENTS

(73) Assignee: **Jaquish Biomedical Corporation**,
Nevada City, CA (US)

EP 2764896 A1 8/2014
KR 10200000 5/2000

(**) Term: **15 Years**

OTHER PUBLICATIONS

(21) Appl. No.: **29/730,874**

Youtube, "Introducing the GHAccelerator", Nov. 12, 2018. <https://www.youtube.com/watch?v=IL-CahGcpOI>. Shown at the 2:00 minute mark. (Year: 2018).*

(22) Filed: **Apr. 9, 2020**

(Continued)

Related U.S. Application Data

(63) Continuation of application No. 29/681,204, filed on
Feb. 22, 2019.

Primary Examiner — Cynthia Ramirez
Assistant Examiner — Michael A Maharajh
(74) *Attorney, Agent, or Firm* — Morgan, Lewis &
Bockius LLP

(51) **LOC (13) Cl.** **21-02**

(52) **U.S. Cl.**
USPC **D21/679**

(58) **Field of Classification Search**
USPC D25/65; D21/675, 676, 679, 673, 674,
D21/681, 686, 687, 690, 668, 688, 685,
D21/689, 670, 671; D6/350
CPC A63B 21/4033; A63B 2071/027; A63B
23/0458

(57) **CLAIM**

The ornamental design for an exercise apparatus, as shown
and described.

See application file for complete search history.

DESCRIPTION

FIG. 1 is a perspective view of an exercise apparatus
showing our new design;
FIG. 2 is a front view, back view is a mirror image thereof
FIG. 3 is a top view thereof;
FIG. 4 is a bottom view thereof; and,
FIG. 5 is a side view, the opposite side is a mirror image
thereof.

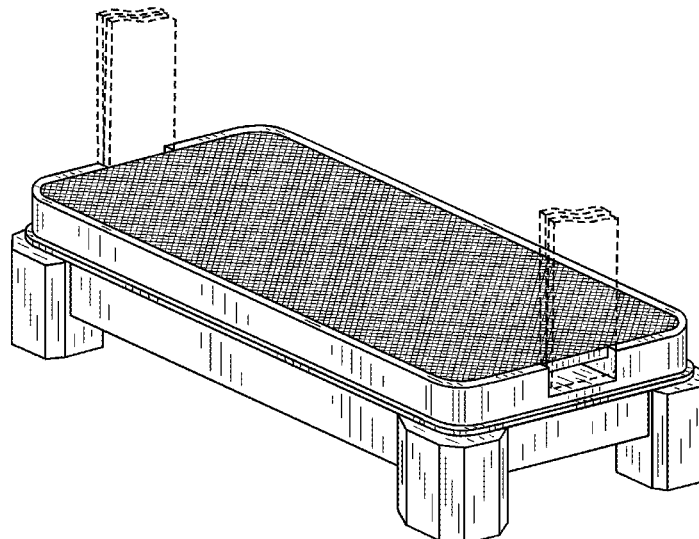
The broken lines shown in the figures are for the purposes
of illustrating portions of the exercise apparatus which form
no part of the claimed design.

(56) **References Cited**

U.S. PATENT DOCUMENTS

1,019,861 A 3/1912 Titus
3,117,781 A 1/1964 Vargo
3,193,288 A 7/1965 Vell
4,200,281 A 4/1980 Wang
4,257,592 A 3/1981 Jones
D263,327 S 3/1982 Cooper

1 Claim, 5 Drawing Sheets



(56)

References Cited

U.S. PATENT DOCUMENTS

D330,057 S *	10/1992	Saunders	D21/671	D657,008 S	4/2012	Markovic	
D330,234 S *	10/1992	Saunders	D21/671	D670,345 S	11/2012	Guarrasi	
D330,235 S *	10/1992	Traetta	D21/671	D680,599 S *	4/2013	Orenstein	D21/671
5,154,678 A *	10/1992	Adamczyk	A63B 23/0458 108/90	D681,138 S *	4/2013	Hodgkins	D21/671
5,178,596 A	1/1993	McIntire			D681,750 S *	5/2013	Meyer-Hayoz	D21/686
5,197,934 A	3/1993	Wirtz			D682,374 S	5/2013	Wilkinson	
5,213,554 A *	5/1993	Goldstein	A63B 23/0458 108/19	D694,348 S	11/2013	Rankin	
D337,362 S *	7/1993	Goldstein	D21/671	D695,367 S *	12/2013	Lovegrove	D21/671
5,226,865 A *	7/1993	Chin	A63B 23/0458 108/144.11	8,870,722 B2	10/2014	Kassel	
D339,179 S *	9/1993	Wilkinson	D21/671	D717,381 S *	11/2014	Orenstein	D21/671
D339,619 S *	9/1993	Bugnaski	D21/689	D723,637 S	3/2015	Mercado	
D342,298 S *	12/1993	Schnabel, Jr.	D21/671	D724,163 S	3/2015	Kelley	
D342,771 S	12/1993	Tandberg			D733,226 S	6/2015	Abbate	
D349,540 S *	8/1994	Hand	D21/671	D739,481 S *	9/2015	Glickfield	D21/671
D353,419 S	12/1994	Sprague			D748,744 S	2/2016	Hansen	
D353,637 S *	12/1994	Huang	D21/690	D748,745 S	2/2016	Hansen	
5,472,390 A *	12/1995	Faye	A63B 23/0458 482/27	9,254,405 B1	2/2016	Marji	
D365,861 S	1/1996	Moss, Jr.			D764,607 S	8/2016	Beckford	
D369,627 S	5/1996	Thor			D778,374 S	2/2017	Jaquish	
5,514,058 A	5/1996	Buoni			D785,106 S *	4/2017	Panes	D21/688
D371,176 S *	6/1996	Furner	D21/671	D785,731 S *	5/2017	Stack	D21/688
5,540,642 A	7/1996	Sprague			D798,396 S	9/2017	Agate	
5,645,511 A *	7/1997	Le Roux	A63B 23/0458 482/142	D804,590 S *	12/2017	Hillson	D21/671
5,653,665 A	8/1997	Neeley			D806,806 S *	1/2018	Chen	D21/671
5,688,213 A	11/1997	Recker			D825,696 S *	8/2018	Mercenari Uribe	D21/671
5,746,687 A	5/1998	Vial			D825,697 S *	8/2018	Mercenari Uribe	D21/687
5,776,041 A	7/1998	Fisher			D834,115 S	11/2018	Gilbert	
5,885,196 A	3/1999	Gvoich			D842,940 S	3/2019	Harden	
D408,555 S *	4/1999	Albrecht	D25/65	D853,505 S	7/2019	Toueg	
6,203,476 B1	3/2001	Wang et al.			D855,718 S *	8/2019	Hsu	D21/671
6,280,366 B1	8/2001	Hsieh			D864,316 S *	10/2019	Brown	D21/671
D474,818 S	5/2003	Yu			D865,084 S	10/2019	Croxtton	
D482,748 S	11/2003	Flynt			D875,194 S *	2/2020	Zhou	D21/688
D495,379 S *	8/2004	Dubus	D21/686	2002/0137609 A1	9/2002	Rosati	
D519,172 S *	4/2006	Penat	D21/671	2005/0101453 A1	5/2005	Jeneve	
7,052,449 B2	5/2006	Chen			2005/0239617 A1	10/2005	Tenaglia	
D526,367 S	8/2006	Loccarini			2006/0128540 A1 *	6/2006	Engle	A63B 21/04 482/123
7,175,574 B2	2/2007	Carmel et al.			2007/0207903 A1	9/2007	Csbai	
D542,867 S *	5/2007	Teruo	D21/686	2007/0207905 A1	9/2007	Winston	
D556,841 S	12/2007	Oates			2009/0093349 A1	4/2009	Cooper	
D564,604 S *	3/2008	Mikail	D21/688	2010/0227747 A1	9/2010	Cook	
7,387,599 B1	6/2008	Hsu			2011/0207583 A1 *	8/2011	Elpers	A63B 23/04 482/52
D583,883 S	12/2008	Thomas			2011/0256987 A1 *	10/2011	Lepore	A63B 23/0458 482/52
D590,457 S	4/2009	Mishan			2014/0228180 A1	8/2014	Walker	
7,578,775 B2	8/2009	Terry			2015/0367159 A1	12/2015	Harris	
7,601,101 B2	10/2009	Jackson			2016/0199689 A1 *	7/2016	Irwin	B32B 21/14 482/142
D604,374 S	11/2009	Bizzell			2017/0080284 A1 *	3/2017	Hillson	A63B 23/0458
D610,638 S *	2/2010	Friess	A63B 21/0552 D21/686	2018/0236299 A1	8/2018	Warriner	
D626,607 S *	11/2010	Kim	D21/671	2019/0069650 A1	3/2019	Walker	
D633,155 S	2/2011	Brun			2019/0217147 A1	7/2019	Garcia	
7,922,624 B1	4/2011	Fairhurst						
D655,356 S	3/2012	Sandman						

OTHER PUBLICATIONS

Jaquishbiomedical, "GH Accelerator", Nov. 13, 2019. <https://www.jaquishbiomedical.com/products/gh-accelerator/#reviews>. Shown on p. 1. (Year: 2019).*

* cited by examiner

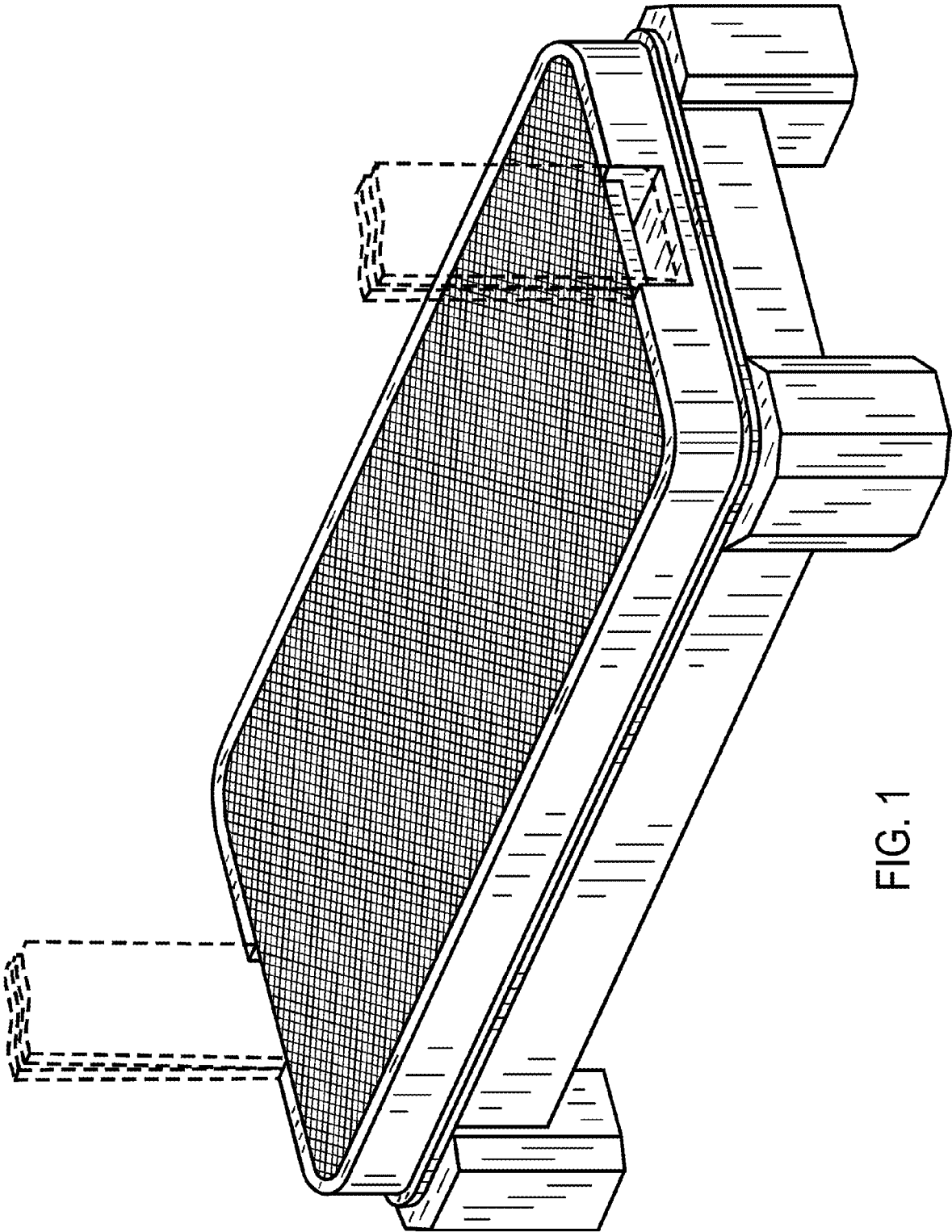


FIG. 1

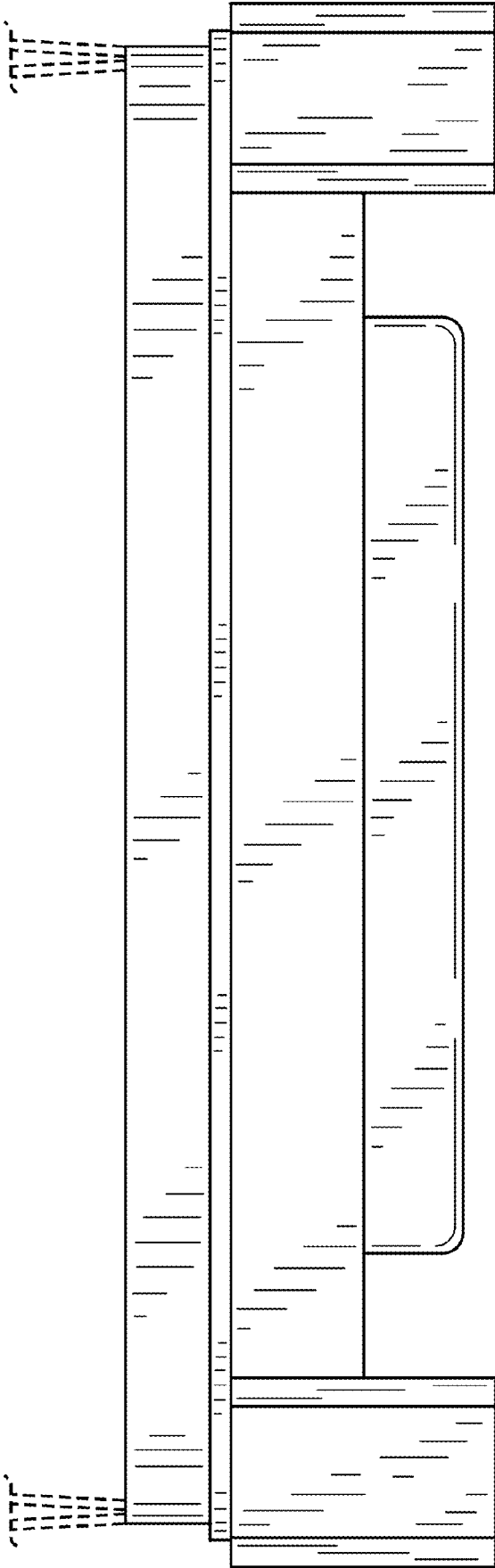


FIG. 2

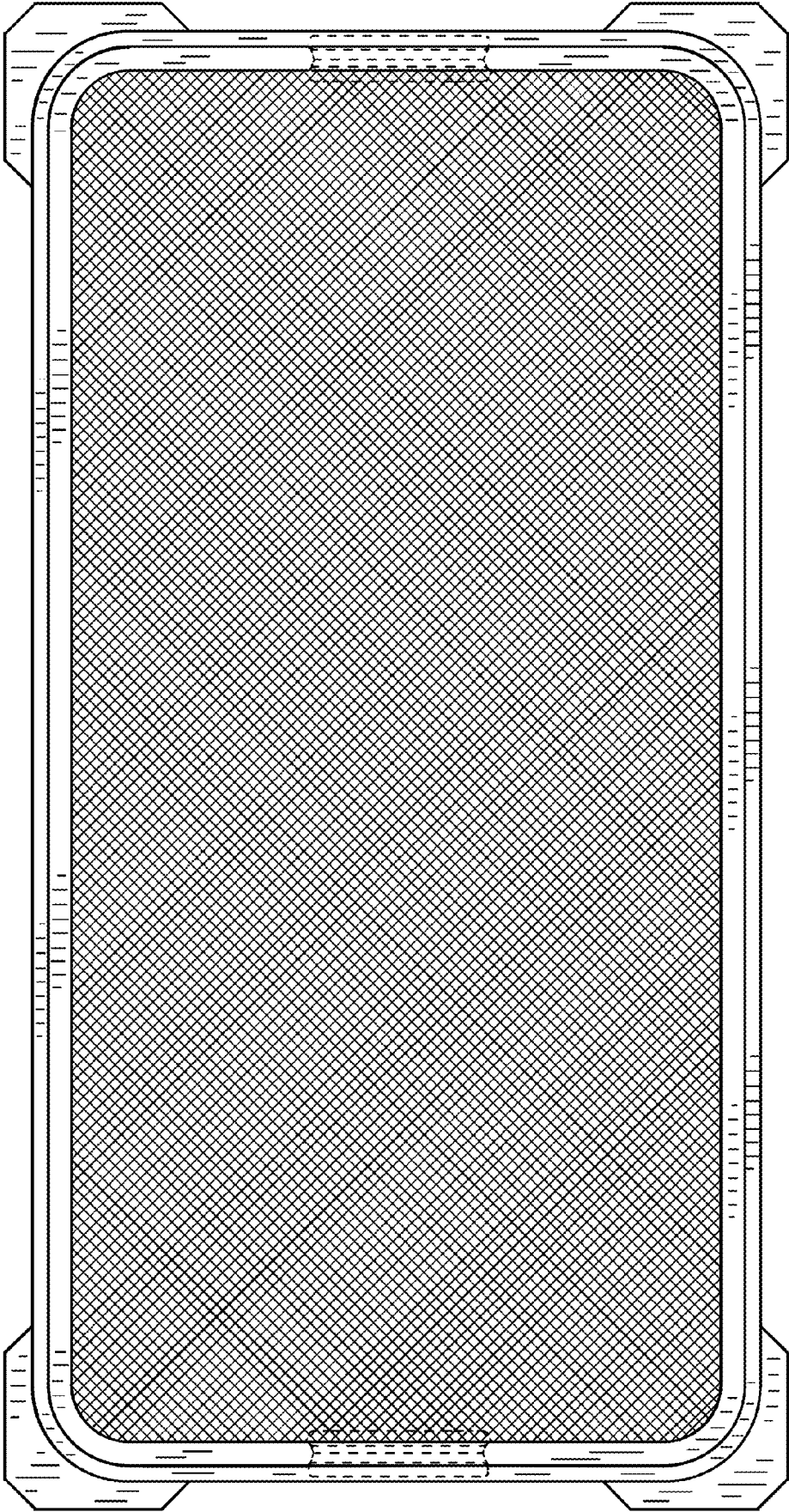


FIG. 3

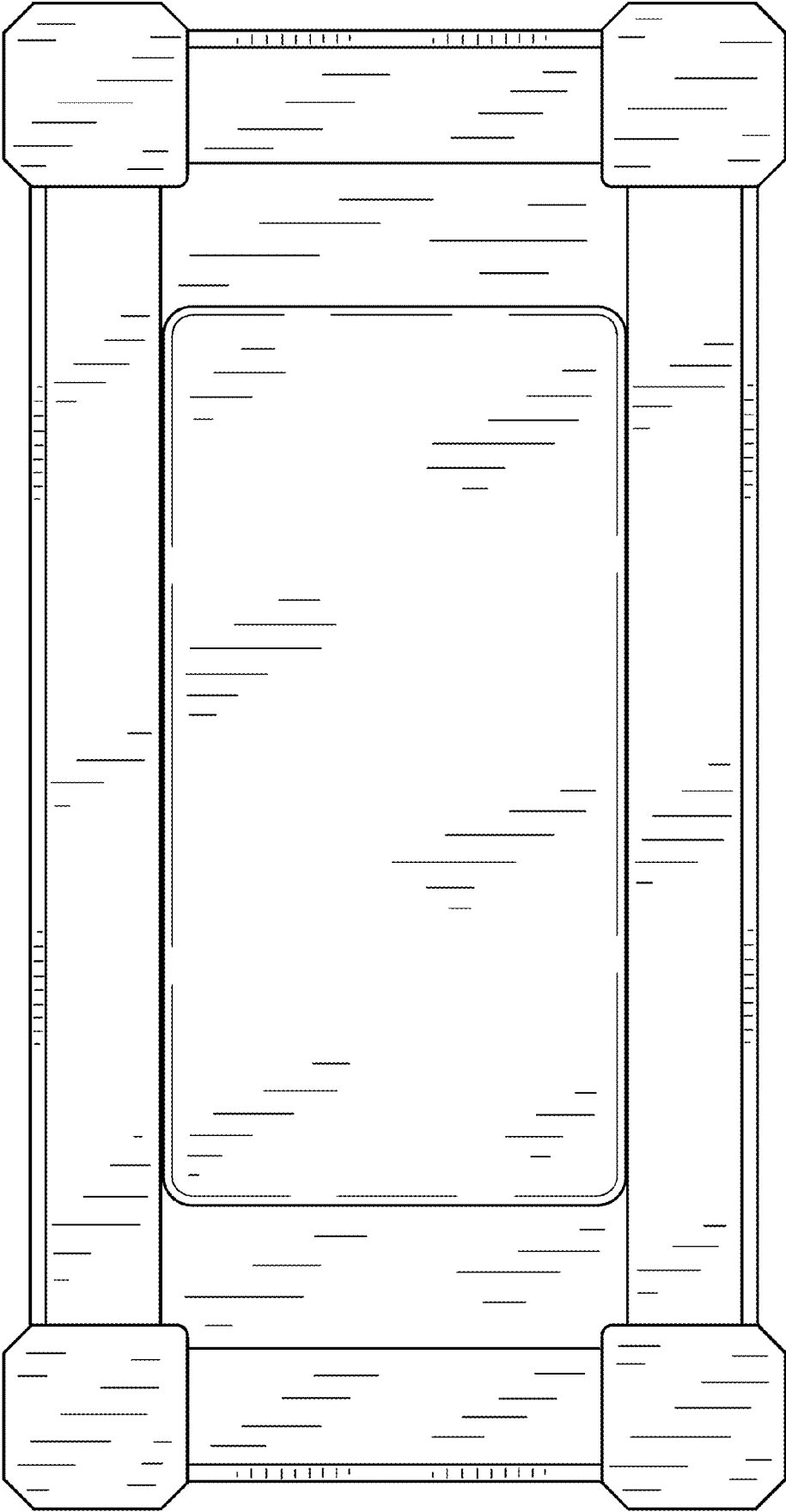


FIG. 4

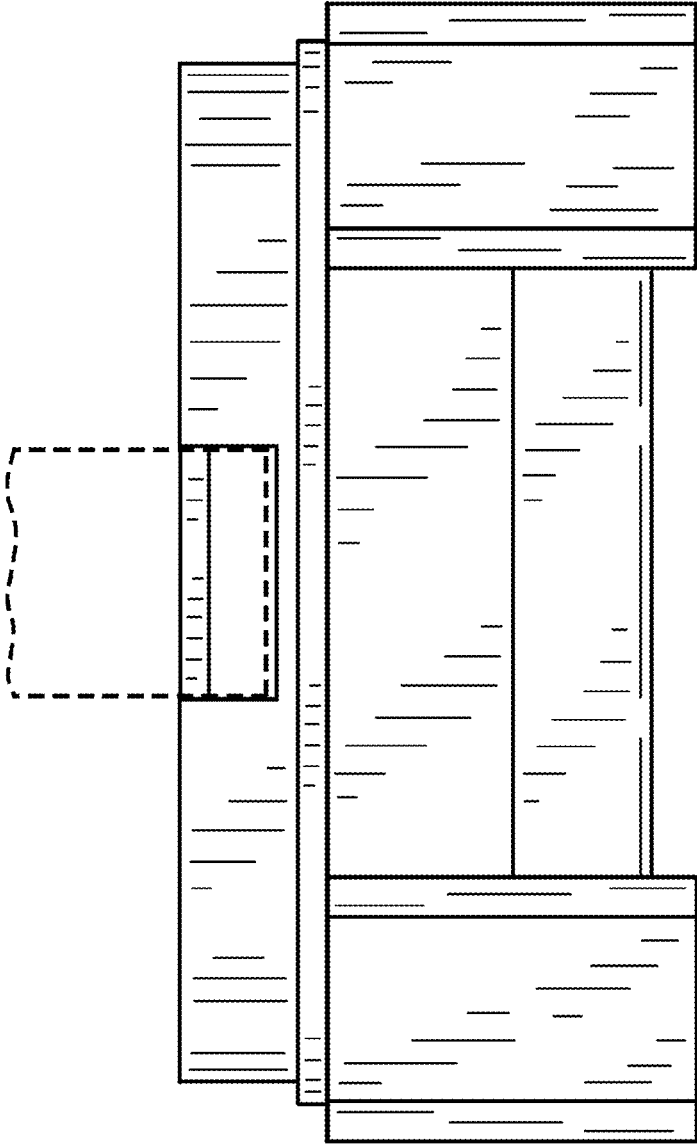


FIG. 5