



US00D955487S

(12) **United States Design Patent**
Kitsugi et al.

(10) **Patent No.:** **US D955,487 S**

(45) **Date of Patent:** **** *Jun. 21, 2022**

(54) **GAME DEVICE**

(71) Applicants: **BANDAI CO., LTD.**, Tokyo (JP); **WiZ CO., LTD.**, Tokyo (JP)

(72) Inventors: **Kaori Kitsugi**, Tokyo (JP); **Ayaka Tabata**, Tokyo (JP); **Yuri Okamoto**, Tokyo (JP)

(73) Assignees: **BANDAI CO., LTD.**, Tokyo (JP); **WiZ CO., LTD.**, Tokyo (JP)

(*) Notice: This patent is subject to a terminal disclaimer.

(**) Term: **15 Years**

(21) Appl. No.: **29/674,769**

(22) Filed: **Dec. 26, 2018**

(30) **Foreign Application Priority Data**

Jun. 27, 2018 (JP) 2018-014154

(51) **LOC (13) Cl.** **21-01**

(52) **U.S. Cl.**
USPC **D21/329**

(58) **Field of Classification Search**

USPC D21/324, 329, 332-337, 566, 572-574, D21/328; D14/217, 218, 356, 387, 388, D14/389, 400, 401, 415, 418, 426-431, D14/443, 447, 449, 450, 454, 455, 471, D14/474, 483, 496, 511; D13/164, 168; 273/148 B, 441, 442, 449; 473/1, 29-39, 473/46, 47

CPC .. A63F 13/00; A63F 13/02; A63F 9/00; G06F 17/00; G06F 19/00

See application file for complete search history.

(56) **References Cited**

U.S. PATENT DOCUMENTS

D398,659 S * 9/1998 Yokoi D21/333
D405,125 S * 2/1999 Yokoi D21/329

D405,475 S * 2/1999 Yokoi D21/329
D407,760 S * 4/1999 Yokoi D21/329
D421,775 S * 3/2000 Goto D21/329
D425,571 S * 5/2000 Goto D21/329
D426,858 S * 6/2000 Straus D21/329
6,227,966 B1 * 5/2001 Yokoi A63F 13/005
463/1
D455,793 S * 4/2002 Lin D14/496
(Continued)

FOREIGN PATENT DOCUMENTS

AU 201010532 3/2010

OTHER PUBLICATIONS

“Game Device”, published Nov. 28, 2017. [Retrieved Oct. 14, 2019], Available from internet: https://www34.orbit.com/?locale=en&ticket=8b7f3015-05fa-4d66-b5df-537644412d9c#DesignListPage.*

(Continued)

Primary Examiner — Sandra S Snapp

Assistant Examiner — M. F. B.

(74) *Attorney, Agent, or Firm* — Rabin & Berdo, P.C.

(57) **CLAIM**

The ornamental design for a game device, as shown and described.

DESCRIPTION

FIG. 1 is a front perspective view of a game device;

FIG. 2 is a rear perspective view thereof;

FIG. 3 is a front view thereof;

FIG. 4 is a rear view thereof;

FIG. 5 is a right side view thereof;

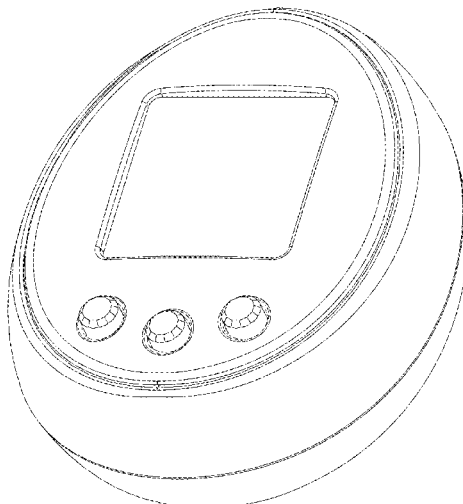
FIG. 6 is a left side view thereof;

FIG. 7 is a top view thereof; and,

FIG. 8 is a bottom view thereof.

The broke lines in the drawings depict portions of the game device that form no part of the claim design.

1 Claim, 8 Drawing Sheets



(56)

References Cited

U.S. PATENT DOCUMENTS

6,652,383 B1 * 11/2003 Sonoda A63F 13/12
 463/43
 D538,821 S * 3/2007 Bender D14/203.6
 D546,397 S * 7/2007 Sakurai D21/329
 D562,787 S * 2/2008 Kim D14/126
 D579,428 S * 10/2008 Lee D14/126
 D590,839 S * 4/2009 Lewis D14/496
 D616,415 S * 5/2010 Lum D14/188
 D623,700 S * 9/2010 Murase D21/329
 D627,830 S * 11/2010 Araki D21/329
 D724,060 S * 3/2015 Ahn D14/218
 D756,333 S * 5/2016 Smith D13/168
 D766,217 S * 9/2016 Smith D14/218
 D803,944 S * 11/2017 Kitsugi D21/329
 D835,199 S * 12/2018 Inuyama D21/333

OTHER PUBLICATIONS

“Introducing the Tamagotchi Friends”, posted Jan. 18, 2014, [retrieved Sep. 16, 2020], Retrieved from Internet, <https://www.youtube.com/watch?v=qnFBrZ1Co1E>.*

“Tamagotchi Friends”, posted Jan. 22, 2014, [retrieved Sep. 16, 2020], Retrieved from Internet, <https://www.youtube.com/watch?v=77caYwIQfdM>.*

Australian Design No. 201010532, registered on Mar. 18, 2010 as Registration No. 329953.

“Virtual pet game device”, www.redusers.com/noticias/bandai-anuncio-la-vuelta-del-tamagotchi/, published on Nov. 23, 2013.

“Virtual pet game device”, www.youtube.com/watch?v=iDchJBvZMVo, published on May 19, 2017.

* cited by examiner

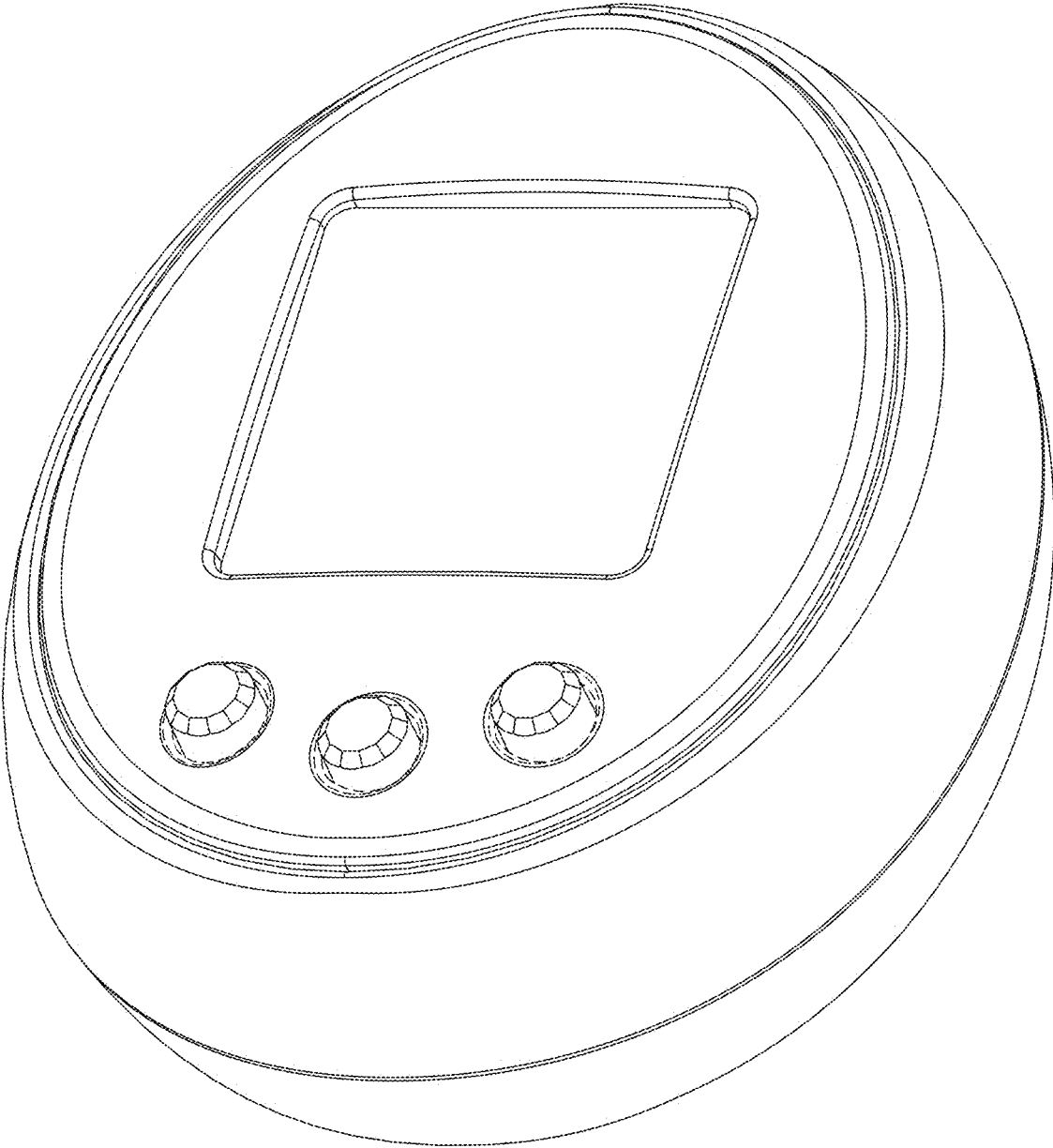


FIG. 1

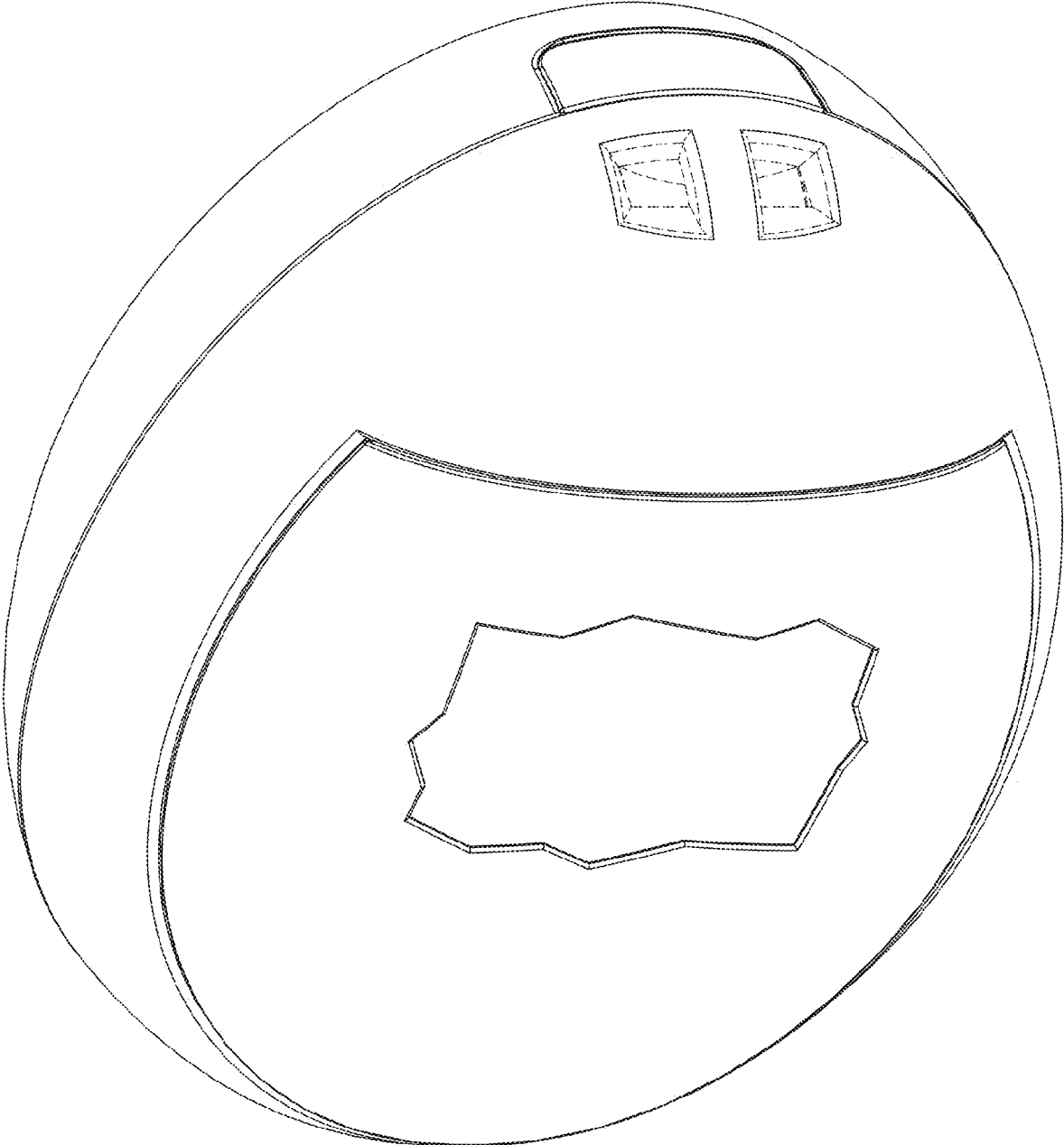


FIG. 2

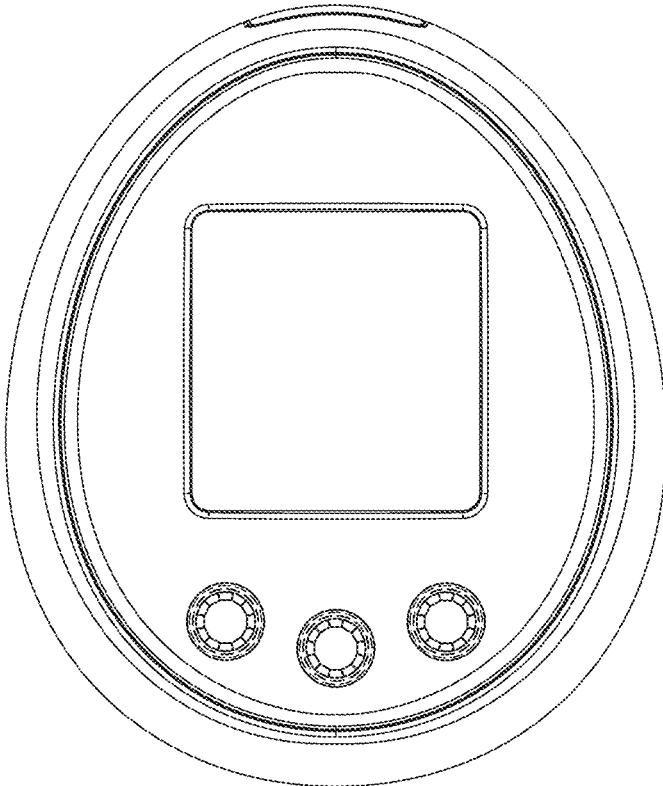


FIG. 3

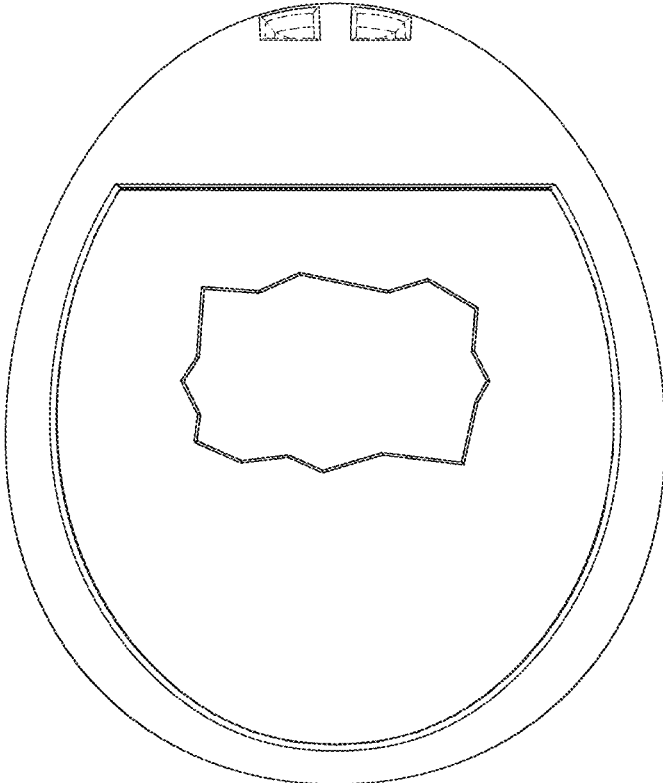


FIG. 4

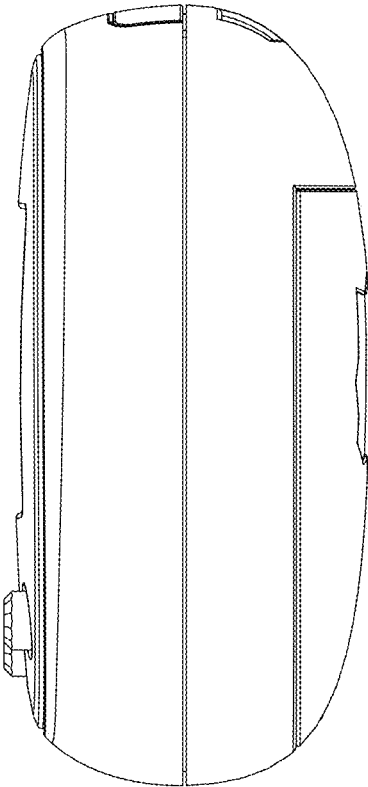


FIG. 5

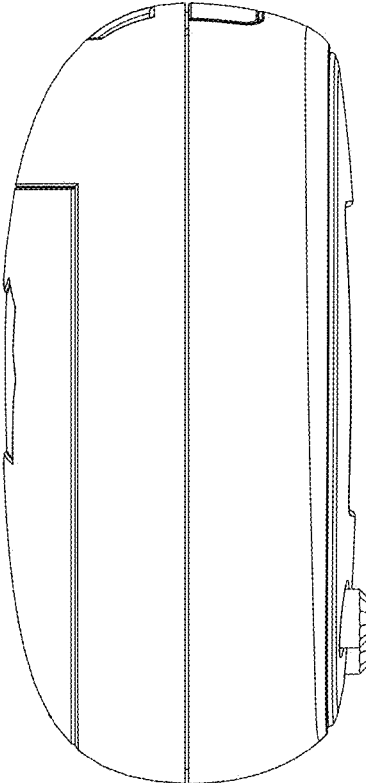


FIG. 6

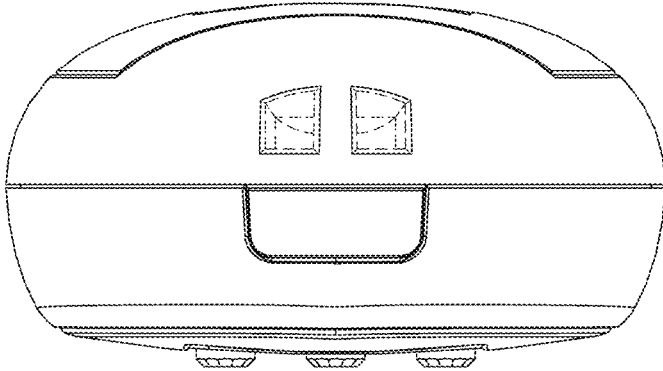


FIG. 7

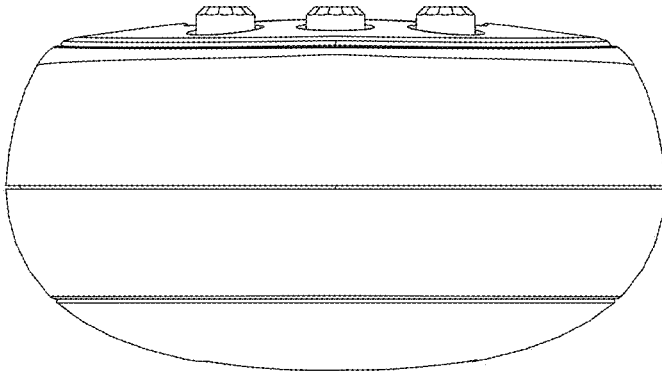


FIG. 8