

(51) International Patent Classification ⁶ :

H04Q 7/12, 7/32

A1

(11) International Publication Number:

WO 96/08933

(43) International Publication Date:

21 March 1996 (21.03.96)

(21) International Application Number: PCT/US95/12166

(22) International Filing Date: 12 September 1995 (12.09.95)

(30) Priority Data:
08/304,728 12 September 1994 (12.09.94) US

(71) Applicant: SEIKO COMMUNICATIONS SYSTEMS, INC.
[US/US]; Suite 140, 1625 N.W. Amber Glen Court, Beaverton, OR 97006 (US).

(72) Inventors: GASKILL, Garold, B.; 10285 S.W. Moratoc Dr., Tualatin, OR 97062 (US). DIMITRIADIS, Dimitri; One Jefferson Parkway #7, Lake Oswego, OR 97034 (US).

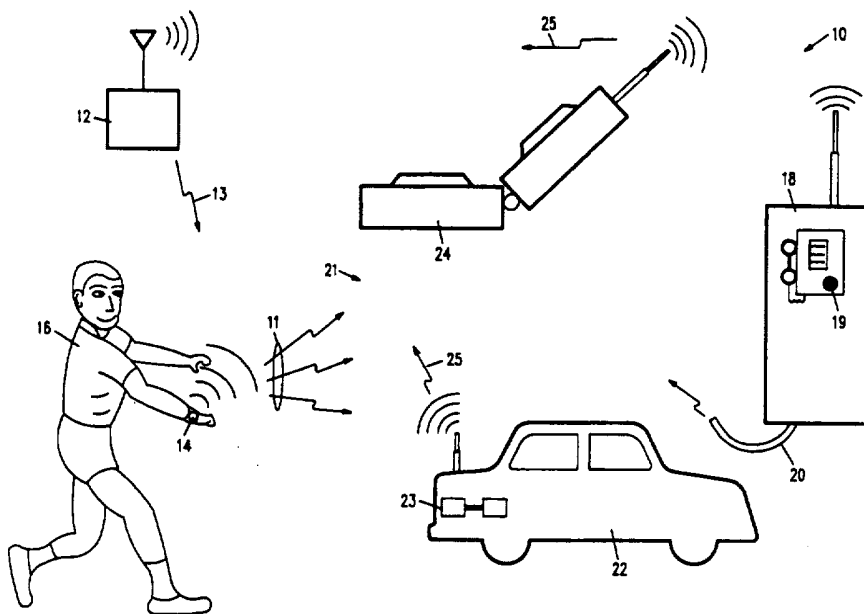
(74) Agent: GALBI, Elmer; Seiko Communications Systems, Inc., Suite 140, 1625 N.W. Amber Glen Court, Beaverton, OR 97006 (US).

(81) Designated States: AU, BR, CA, CH, CN, JP, KR, MX, RU, European patent (AT, BE, CH, DE, DK, ES, FR, GB, GR, IE, IT, LU, MC, NL, PT, SE).

Published

*With international search report.
Before the expiration of the time limit for amending the claims and to be republished in the event of the receipt of amendments.*

(54) Title: ACKNOWLEDGE BACK PAGER USING SECONDARY TRANSMISSION SOURCE



(57) Abstract

A pager receives a wireless telecommunication message from central paging terminal. Upon successful transmission of the message to the pager, the message is acknowledged initiating transmission of an acknowledge signal from the pager. The pager transmits the acknowledged signal to one of a variety of different secondary transmission sources. The secondary transmission source then relays the acknowledge signal back to a receiver associated with the central paging terminal. The acknowledge signal is either physically initiated by depressing a switch on the pager or is automatically initiated by the pager upon receiving the message. Energy efficiency of the pager is further increased by periodically broadcasting and polling for available secondary transmission sources.

FOR THE PURPOSES OF INFORMATION ONLY

Codes used to identify States party to the PCT on the front pages of pamphlets publishing international applications under the PCT.

AT	Austria	GB	United Kingdom	MR	Mauritania
AU	Australia	GE	Georgia	MW	Malawi
BB	Barbados	GN	Guinea	NE	Niger
BE	Belgium	GR	Greece	NL	Netherlands
BF	Burkina Faso	HU	Hungary	NO	Norway
BG	Bulgaria	IE	Ireland	NZ	New Zealand
BJ	Benin	IT	Italy	PL	Poland
BR	Brazil	JP	Japan	PT	Portugal
BY	Belarus	KE	Kenya	RO	Romania
CA	Canada	KG	Kyrgystan	RU	Russian Federation
CF	Central African Republic	KP	Democratic People's Republic of Korea	SD	Sudan
CG	Congo	KR	Republic of Korea	SE	Sweden
CH	Switzerland	KZ	Kazakhstan	SI	Slovenia
CI	Côte d'Ivoire	LI	Liechtenstein	SK	Slovakia
CM	Cameroon	LK	Sri Lanka	SN	Senegal
CN	China	LU	Luxembourg	TD	Chad
CS	Czechoslovakia	LV	Latvia	TG	Togo
CZ	Czech Republic	MC	Monaco	TJ	Tajikistan
DE	Germany	MD	Republic of Moldova	TT	Trinidad and Tobago
DK	Denmark	MG	Madagascar	UA	Ukraine
ES	Spain	ML	Mali	US	United States of America
FI	Finland	MN	Mongolia	UZ	Uzbekistan
FR	France			VN	Viet Nam
GA	Gabon				

ACKNOWLEDGE BACK PAGER USING SECONDARY
TRANSMISSION SOURCE

5

BACKGROUND OF THE INVENTION

This invention relates generally to paging systems that acknowledge receipt of transmitted messages and more particularly to utilizing a second transmission source for relaying a pager acknowledge signal.

U.S. Patents Nos. 4,875,038, 4,882,579 and 4,891,637 all to Siwiak describe acknowledge back paging systems that first receive a wireless telecommunication message from a central paging terminal. The pager then transmits a signal back to the central paging terminal acknowledging that the message has been received.

The paging systems in Siwiak, however, require that the pager transmit the acknowledge signal directly back to the physical location of the central paging terminal. Since pagers are portable, a substantial distance may exist between the pager and the central paging terminal. Because portable pager batteries are also small, there is not sufficient battery power to effectively transmit an acknowledge signal over long distances.

The pagers as shown in Siwiak transmit an acknowledge signal after successfully receiving a transmitted message. If the central paging terminal is outside of the transmission range of the pager, the pager needlessly

expends battery power sending an acknowledge signal that cannot be received. Thus, the battery supply for the pager is inefficient and over utilized. If the pager continues to remain outside this limited transmission range, the acknowledge signal accordingly will not be transmitted. Thus, the message sender will not know if the message was received by the pager.

Accordingly, a need remains for a pager that can acknowledge messages from a wider transmission range in a more energy efficient manner.

SUMMARY OF THE INVENTION

It is, therefore, an object of the invention to increase energy efficiency when transmitting acknowledge signals from a portable pager.

Another object of the invention is to increase utilization of secondary communication sources in paging systems.

A further object of the invention is to increase the operating range of paging systems for acknowledging one-way telecommunication messages.

A paging system utilizes existing communication sources to relay an acknowledge signal back to a central paging terminal. The pager receives a wireless telecommunication message from the central paging terminal. The message is acknowledged by the pager

operator initiating an acknowledge signal. The pager then transmits the acknowledge signal to one of a variety of different secondary transmission sources. The secondary transmission source then relays the acknowledge signal
5 back to a receiver associated with the central paging terminal.

Different acknowledge and receive signals are initiated either physically by depressing a switch on the pager or electronically by the pager upon receiving the
10 message. The acknowledge and receive signals are then automatically transmitted at a predetermined periodic rate until successfully received by the secondary transmission source.

Since the pager utilizes a secondary transmission
15 source (STS), acknowledge signals can be effectively transmitted from longer distances while at the same time requiring less energy from the pager power supply. The secondary transmission source is provided by a variety of different communication systems. For example, the
20 acknowledge signal is relayed from the pager to the central pager terminal by a cellular phone, personal computer or a hardwired public telephone.

Energy efficiency of the pager is further increased by polling for available secondary transmission sources.
25 In this embodiment, the pager periodically checks for available secondary transmission sources and then selects one of the available sources for relaying the acknowledge

signal. Thus, the pager only transmits when a secondary transmission source is close enough to receive the pager acknowledge signal.

5 The acknowledge signal is automatically transmitted at different periodic rates according to the amount of time required to successfully relay the signal to the secondary transmission source. For example, the acknowledge signal may be immediately and continuously transmitted after the appropriate acknowledgment is
10 initiated on the pager. However, after a given amount of time without successful transmission of the acknowledge signal, the pager either manually or automatically begins transmitting the acknowledge signal at a different periodic rate. An emergency signal can also be
15 transmitted by the pager using the same acknowledge signal infrastructure.

Thus, a portable pager automatically transmits an acknowledge signal to a secondary transmission source to allow a pager acknowledge-back capability from a pager
20 from a wide range of locations. Piggy-backing existing communication sources also allow the pager acknowledge signal to be relayed more quickly while using less power from the pager battery supply.

The foregoing and other objects, features and
25 advantages of the invention will become more readily apparent from the following detailed description of a

preferred embodiment of the invention which proceeds with reference to the accompanying drawings.

5 BRIEF DESCRIPTION OF THE DRAWINGS

FIG. 1 is a schematic diagram showing a paging system according to the invention that transmits an acknowledge signal via a secondary transmission source.

10 FIG. 2 is a block diagram of the different hardware components for the paging system shown in FIG. 1.

FIG. 3 is a detailed schematic diagram of an acknowledge-back circuit shown in FIG. 2.

15 FIG. 4 is a block diagram showing a method for transmitting pager acknowledge signal via a secondary transmission source according to the invention.

FIG. 5 is a schematic diagram showing an alternative embodiment of the paging system that polls and prioritizes broadcasts from secondary transmission sources.

20 FIG. 6 is a block diagram showing a method for polling multiple secondary transmission sources according with the paging system shown in FIG. 5.

25 FIG. 7 is a block diagram showing a method for varying the data rate at which the paging system transmits an acknowledge signal.

DETAILED DESCRIPTION

FIG. 1 is a schematic diagram shown a paging system 10 according to the invention that transmits an
5 acknowledge signal 11 via a secondary transmission source (STS) 21. The paging system 10 includes a pager 14 for receiving a wireless telecommunication message 13 from a central paging terminal 12. The pager 14 in FIG. 1 is a wrist pager shown attached to the arm of an operator 16.
10 However, the invention is applicable to any portable pager. The secondary transmission source 21 is one or more existing communication devices such as a public telephone 18, third party car phone 23 or a personal cellular phone 24 belonging to operator 16.

15 The message 13 is initially transmitted from the central paging terminal 12 to pager 14. The operator 16 acknowledges the message 13, for example, by depressing a button (See FIG. 2) pager 14. The pager 14 then begins to automatically transmit an acknowledge signal 11 to STS
20 21. The STS's 21 either relay the acknowledge signal in a wireless manner, as shown by cellular phone 24 and car phone 23 signals 25 or are relayed via conventional land-lines as shown by telephone line 20 coupled to public phone 18.

25 The STS 21 is in general physically detached from the pager 14 and defines an existing one-way or two-way communication system that is either mobile (cellular

phone 24) or stationary (public phone 18).

Alternatively, the pager 14 is temporarily coupled by a cable to the secondary transmission source. For example, a socket 19 in pay phone 18 receives a communication
5 cable (not shown) that electronically couples the pager 14 and the pay phone 18 together. After being coupled together, the acknowledge signal transmitted by pager 14 is assured of being immediately received and relayed by the pay phone 18.

10 The technology used to communicate the acknowledge signal from the pager 14 to the STS 21 can be different than the technology used to communicate messages and signals between the central paging terminal 12, pager 14 and STS 21. For example, the original message 13 is
15 typically transmitted using a frequency modulated (FM) signal. However, the acknowledge signal can be transmitted from the pager 14 to the STS 21 using an IR or RF signal.

By utilizing the STS 21 to relay acknowledge signals,
20 the pager 14 is relieved of the burden of having to transmit the acknowledge signal directly back to the central paging terminal 12. Thus, the pager 14 can effectively return an acknowledge signal to the central paging terminal 12 without requiring a large power
25 supply. Since communication systems such as public phone 18 have access to large power supplies, the majority of

the energy required to relay the acknowledge signal is more efficiently transferred to the STS 21.

FIG. 2 is a schematic diagram showing the different hardware components located inside the pager 14 and STS 21 previously shown in FIG. 1. A receiver 26 located
5 inside pager 14 receives a message from the central paging terminal 12 (FIG.1). The receiver 26 relays the message to an acknowledge-back circuit 28. The
acknowledge-back circuit receives the message and
10 generates an acknowledge signal according to different control signals and acknowledge parameters that are described below in FIG. 3. The acknowledge signal is then
output by a transmitter 30 located in pager 14. The STS 21 includes a receiver 32 for receiving the acknowledge
15 signal from transmitter 30 and correspondingly relays the acknowledge signal to the central paging terminal 12 (FIG. 1) via transmitter 34.

FIG. 3 is a detailed schematic diagram of the acknowledge-back circuit 28 shown in FIG. 2. The
20 acknowledge-back circuit 28 is coupled to pager store and display circuitry 36 that stores and displays the message from central paging terminal 12. The control logic 38 receives a physical acknowledge by depressing acknowledge
button 40 in turn generating an acknowledge signal 39.
25 Optional signals are generated by the control logic 38 according to various input stimulants. For example, an emergency signal 50 is generated by depressing an

emergency button 41 and a pager status signal 46 is generated from a pager sensor 42.

5 The acknowledge signal 39 is output to transmitter 30 (FIG. 2) at a given periodic transmission rate according to output controller 44. The output controller 44 can transmit the acknowledge signal (or other status signals) intermittently at a selectable periodic rate or continuously.

10 The store and display circuit 36 feeds a signal to control logic 38 indicating receipt of a new message. The control logic remains in an unacknowledged state until acknowledge button 40 is physically depressed by operator 16 (FIG. 1). The acknowledge back circuit 38 then generates acknowledge signal 39. The control logic 38
15 contains a register 43 that stores the acknowledge initiation signal from button 40. After a message has been acknowledged, control logic 38 then automatically transmits the acknowledge signal 39 until received by the STS 21. After the acknowledge signal is successfully
20 transmitted, the acknowledge register 43 is reset.

When the operator 16 acknowledges a message (e.g., depressing button 40), the pager 14 then automatically controls the remaining steps required to successfully communicate the acknowledge signal back to the central
25 paging terminal 12. For example, the pager may wait to send the acknowledge signal 11 at a time synchronized with activation of the STS 21 to conserve battery power.

Thus, the pager operator 16 does not have to worry about reacknowledging the message if not initially received by the STS.

5 The additional signals (46, 48 and 50) output by the control logic 38 provide transmission of additional information in the existing pager acknowledge-back communication scheme. For example, the pager status signal 46 indicates that the pager is currently attached to user 16. The pager sensor 42 monitors the status of the pager 14 to determine whether the pager is presently attached or detached to the operator 16. For example, 10 sensor 42 would be activated when the straps of the wrist watch pager are locked together. Or alternatively, the sensor 42 is activated by a motion detector that indicates that the pager is presently being carried by 15 the operator 16. If the pager is currently attached to operator 14, the control logic 38 will automatically initiate transmission of the pager status signal 46 after receiving a message. Thus, a message sender is informed 20 whether the transmitted message was sent to a pager that is presently attached to the operator.

The control logic 38 can automatically generate a pager receive signal 48 regardless of whether the message has yet been acknowledged by the pager operator 16. 25 Signal 48 only indicates to the message sender that the message was received by the pager 14. Thus, the message sender is informed that message was successfully received

by the pager 14 and that the message does not have to be retransmitted.

5 The emergency signal 50 is transmitted by depressing button 41 allows the operator 16 to transmit a signal to some predetermined location, independently of any transmitted message. Thus, the operator is provided energy communication without the necessity of a cellular phone.

10 All the various signals generated by control logic 38 are relayed to the central paging terminal 12 in the same manner utilizing the STS 21. The output controller 44 transmits the various signals according to various communication protocols that are described. The specific logic and systems used to implement the paging system, 15 acknowledge-back circuit 28 and the STS relay circuitry are known to those skilled in the art and are, therefore, not described in detail.

20 FIG. 4 is a block diagram showing the method for transmitting an acknowledge signal via a secondary transmission source according to the system shown in FIG. 2 and 3. The message is received from the central paging terminal 12 (FIG. 1) in block 52. The message is acknowledged by physically depressing a button on the pager. For example, a physical acknowledge is initiated 25 by pressing a time/date button on a wrist watch pager.

After the message has been acknowledged, block 56 begins transmitting an acknowledge signal to the STS 21

(FIG. 1). Decision block 58 continues to loop back to the acknowledge transmit block 56 until the acknowledge signal has been successfully received by the STS 21. After successful transmission, block 60 discontinues
5 transmission of the acknowledge signal from pager 14. The acknowledge signal is then relayed by STS 21 to the central paging terminal 12 in block 62.

It should be mentioned that the final destination of the acknowledge signal does not have to be at a physical
10 location next to the central paging terminal 12. Thus, the message when initially transmitted can also be accompanied with a telephone address defining the location for forwarding the acknowledge signal. For example, the message sender can transmit the message from
15 a public phone along with an acknowledge address directing the acknowledge signal to a pager carried by the messenger.

FIG. 5 is a schematic diagram of an alternative embodiment of the invention that polls to determine
20 availability of the STS. As previously described in FIG. 1, many different secondary transmission sources can relay the acknowledge signal from pager 14. Thus, a polling and priority circuit is integrated into the pager 14 to select between available STS.

25 The schematic in FIG. 5 is substantially the same as that previously shown in FIG. 3 except that the receiver 26 includes a first terminal 64 for receiving a message

from the central paging terminal 12 and a second terminal 66 for receiving a broadcast from STS 21.

5 A priority select 68 selects which STS 21 will receive the acknowledge signal. For example, it may be preferable to transmit the acknowledge signal first to a cellular phone 24 owned by the operator 16. If the operator 16, however, is not within transmission distance of the cellular phone, the acknowledge signal may then be transmitted to the next available STS, such as pay phone 10 18 (FIG. 1).

A first output terminal 72 from transmitter 34 broadcasts a signal to pager 14 indicating data relaying acknowledge signals (FIG. 5). A second output terminal 70 transmits the acknowledge signal to the central paging terminal 12. Both the STS 21 and the pager 14 are 15 synchronized to broadcast and receive availability signals over terminals 72 and 66, respectively, at the same time. Synchronized periodic data transmission technology could be used, such as described in copending application Serial No. 08/149,993 filed November 11, 1993 20 and entitled; "Portable Wireless Communication Device".

FIG. 6 is a block diagram showing the method for polling multiple secondary transmissions sources in the system above in FIG.5. Block 74 receives the message 25 from the central paging terminal 12. The message is acknowledged in block 76 initiating the pager to transmit the acknowledge signal. Before transmitting the

acknowledge signal, the pager first polls for available STS's in block 78. Decision block 82 then determines which STS's are available. If no STS is available, the pager continues to poll in block 78.

5 When STS's are identified, the pager selects an appropriate STS in block 80 according to a predetermined priority scheme. For example, the pager may select the secondary transmission source that is the least expensive to relay the acknowledge message. Alternatively, the
10 pager may select the secondary transmission source that has the strongest transmission signal or that is in closest proximity to the pager. The acknowledge signal is then transmitted to the selected STS in block 84.

 FIG. 7 is a block diagram showing a method for
15 varying the rate at which the pager periodically transmits the acknowledge signal. For example, it may be necessary to transmit the acknowledge signal periodically at a first rate after initially receiving the message. However, if the acknowledge signal from the pager is not
20 successfully relayed to the STS 21 after a predetermined amount of time, the pager transmission rate can be varied to preserve battery life.

 Accordingly, block 86 first receives a message from the central paging terminal 12. The pager in block 88
25 then transmits the acknowledge signal at a predefined transmission rate. If the acknowledge signal is not successfully communicated to the STS 21, decision block

94 checks to see how long the pager has been transmitting the acknowledge signal.

5 If the pager has not been transmitting the acknowledge signal for a time T_1 , decision block 94 jumps back to block 88. The acknowledge signal is then periodically transmitted at the present transmission rate. If the pager 14 has been unsuccessfully transmitting the acknowledge signal longer than time T_1 , block 98 changes the pager transmission rate and then
10 jumps back to block 88. The page then begins to periodically transmit the acknowledge signal at the new periodic rate. When the acknowledge signal is successfully communicated to the STS, the pager stops transmitting the acknowledge signal in block 92. The
15 acknowledge signal is then relayed by the STS 21 to the central pager terminal 12 in block 96.

Alternatively, the periodic rate at which the pager transmits the acknowledge signal can be varied manually. For example, some messages received by the pager do not
20 have to be immediately acknowledged. Thus, the pager can transmit the acknowledge signal at a slower less power consuming transmission rate. However, if the message is urgent, the pager can be reset into a faster periodic transmission rate as described in block 98.

25 The following is one scenario of how the paging system described above operates. The pager 14, for example, a wristwatch pager, receives a message from a

sender. The pager operator presses button 40 (FIG.2) acknowledging the message. If the operator is in a car at the time the message is received, the acknowledge signal may be transmitted to a mobile phone owned by the
5 operator and located in the operator's car. The mobile phone then automatically dials out to relay the message to the central paging terminal 12.

Alternatively, the operator may not want to use the car phone. For example, the operator 16 may be next to a
10 public phone that can transmit the acknowledge message at a lower cost. The pager then polls for other available STS's. If the acknowledge message is relayed from a STS owned by someone other than the operator, the pager sends information along with the acknowledge signal that
15 identifies the pager owner. The selected STS accordingly charges the pager owner for relaying the acknowledge signal. Further, by using the emergency button 41 (FIG. 3), pager 14 can contact help utilizing the existing infrastructure that already exists for relaying
20 acknowledge signals.

It is important to note that after the pager operator presses the acknowledge button, the remaining acknowledge sequence is automatic. For example, after the operator acknowledges a message, the pager saves an acknowledge
25 initiation in acknowledge register 43 (FIG. 3). The control logic 38 then continuously or periodically

transmits the acknowledge signal until successfully received by the STS.

Having described and illustrated the principles of the invention in a preferred embodiment thereof, it
5 should be apparent that the invention can be modified in arrangement and detail without departing from such principles. I claim all modifications and variation coming within the spirit and scope of the following
10 claims.

CLAIMS

1. An acknowledge-back paging system, comprising:
a portable pager including a receiver for receiving a
5 wireless telecommunication message from a central paging
terminal;

means for acknowledging receipt of the message by the
pager;

an acknowledge circuit located in the pager and
10 coupled to the acknowledge means, the acknowledge circuit
automatically generating an acknowledge signal after the
acknowledge means acknowledges receipt of the message;
and

a secondary transmission source physically detached
15 and separately operable from the pager, the secondary
transmission source relaying the acknowledge signal from
the pager to a location associated with the central
paging terminal.

20 2. An acknowledge-back system according to claim 1
wherein the acknowledge means comprise a switch having an
open and closed position, the switch manually moved
between the open and closed position in order to initiate
transmission of the acknowledge signal.

25 3. An acknowledge-back system according to claim 1
including a pager sensor coupled to the acknowledge

circuit, the pager sensor monitoring attachment status of the pager on an operator and automatically initiating transmission of a pager status signal from the acknowledge circuit to the secondary transmission source
5 when the pager is attached to said user.

4. An acknowledge-back system according to claim 1 wherein the acknowledge circuit includes means for automatically initiating and generating a pager receipt
10 signal after the message is received by the pager.

5. An acknowledge-back system according to claim 1 including means for varying a predetermined periodic rate in which the acknowledge signal is transmitted to the
15 secondary transmission source.

6. An acknowledge-back system according to claim 1 including means for polling communication status of the secondary transmission source prior to transmitting the
20 acknowledge signal

7. An acknowledge-back system according to claim 1 wherein the secondary transmission source comprises at least one of said mobile cellular phone, hardwired
25 telephone and computer terminal.

8. An acknowledge-back system according to claim 6 wherein the secondary transmission source comprises first and second separately operable two-way communication systems and including means for selectively prioritizing transmission of the acknowledge signal to each communication system.

9. A method for acknowledging messages from a wireless pager, comprising:

receiving a wireless telecommunication message from a sender;

acknowledging receipt of the message by the pager;

generating an acknowledge signal after acknowledging the message;

transmitting the acknowledge signal to a secondary transmission source, the secondary transmission source being a self contained communication device separately operable from the pager; and

relaying the acknowledge signal from the secondary transmission source to a source location associated with the sender thereby acknowledging successful transmission of the message.

10. A method according to claim 9 including automatically transmitting the acknowledge signal until successfully received by the secondary transmission source.

11. A method according to claim 9 wherein the step of acknowledging the message comprises physically depressing a button located on the pager.

5

12. A method according to claim 9 including automatically initiating and transmitting a receive signal to the secondary transmission source after the pager successfully receives the message.

10

13. A method according to claim 9 including polling availability of multiple secondary transmission sources and transmitting the acknowledge signal to one of the secondary transmission sources indicated as being available for relaying said acknowledge signal.

15

14. A method according to claim 13 wherein the secondary transmission sources are polled at a given periodic rate and including the step of broadcasting a ready signal from the secondary transmission source to the pager at a periodic transmission rate synchronized with the pager periodic polling rate.

20

15. A method according to claim 13 including assigning transmission priority to each of said multiple secondary transmission sources and transmitting the

25

acknowledge signal to one of the secondary transmission sources having the highest assigned priority.

5 16. A method according to claim 9 wherein the acknowledge signal is transmitted by the pager to the secondary transmission source at a first periodic rate, and including the step of transmitting the acknowledge signal to the secondary transmission source at a second periodic rate after a predetermined amount of time.

10

17. A method according to claim 9 including transmitting an emergency signal from the pager to the secondary transmission source and relaying the emergency signal from the secondary source to a predetermined receiver location.

15

18. A method according to claim 9 including transmitting an acknowledge destination address along with the message and relaying the acknowledge signal from the secondary transmission source to a receiver associated with the destination address.

20

19. A method according to claim 9 wherein the secondary transmission source is a phone used for two-way voice communication.

25

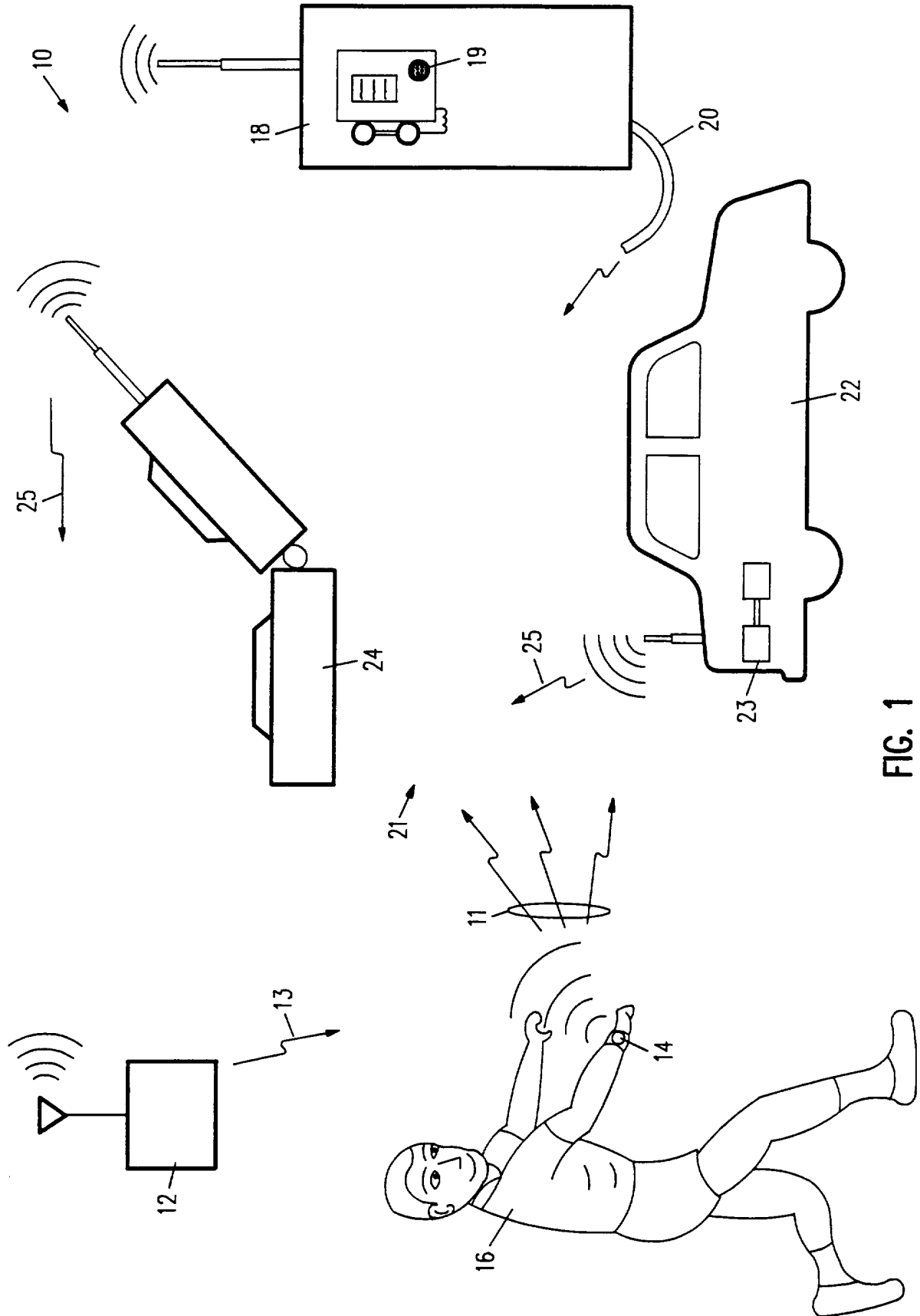


FIG. 1

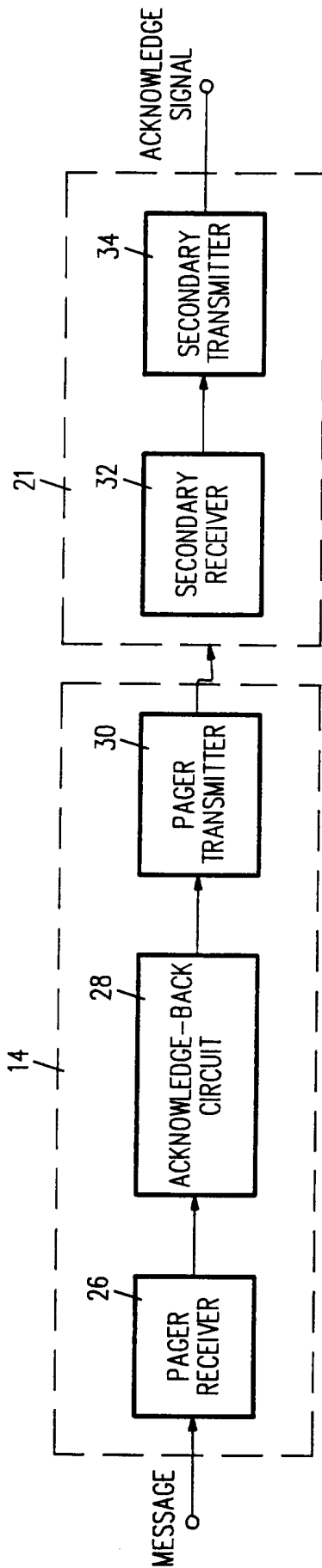


FIG. 2

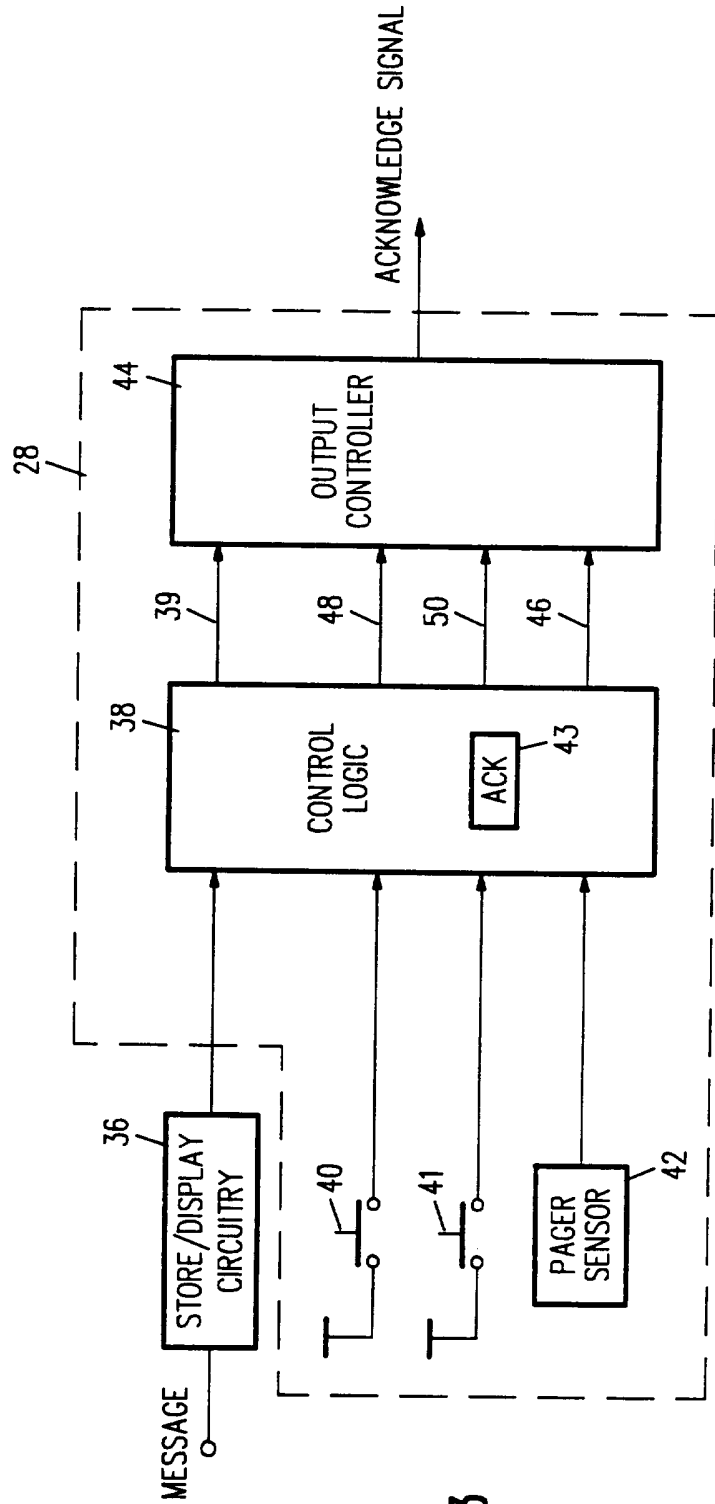


FIG. 3

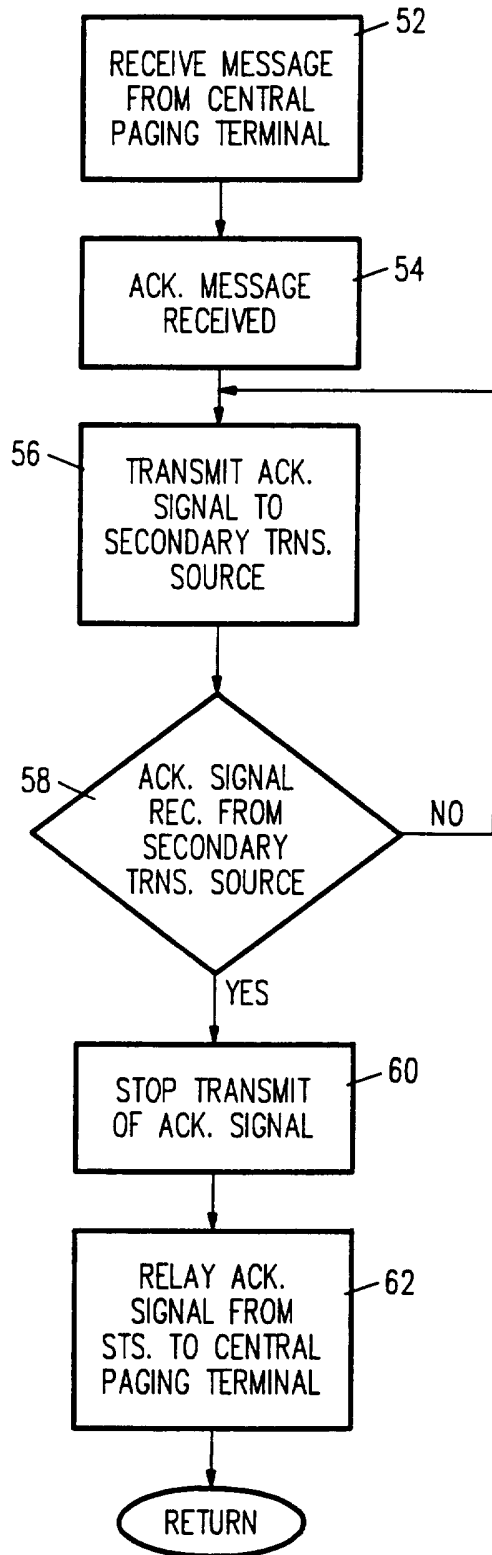


FIG. 4

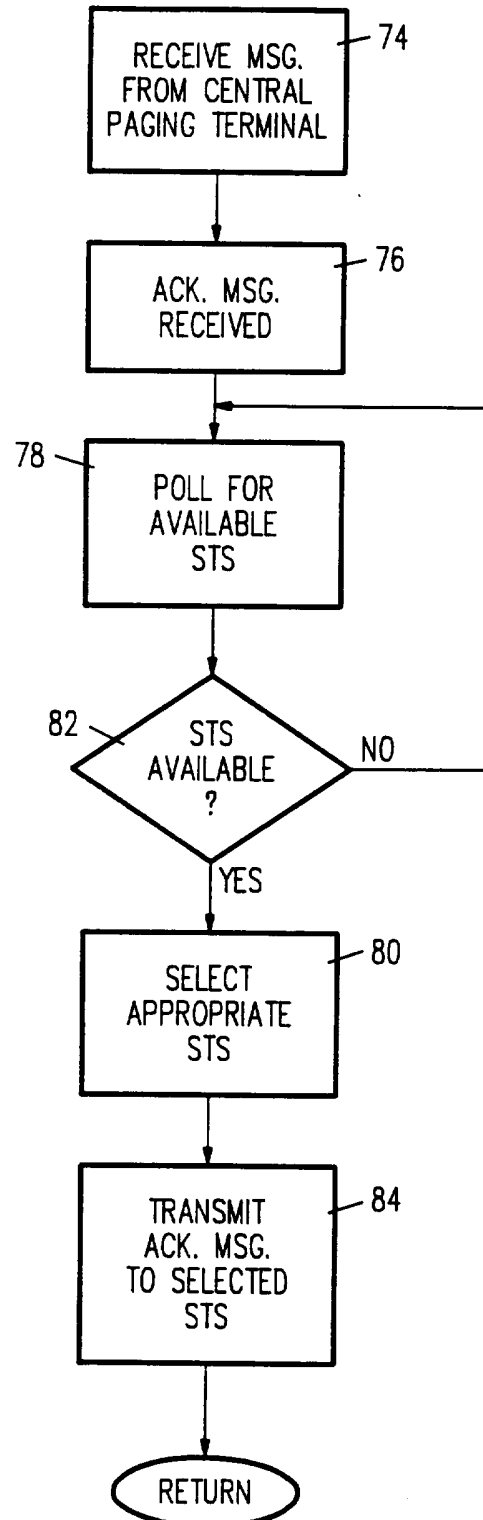


FIG. 6

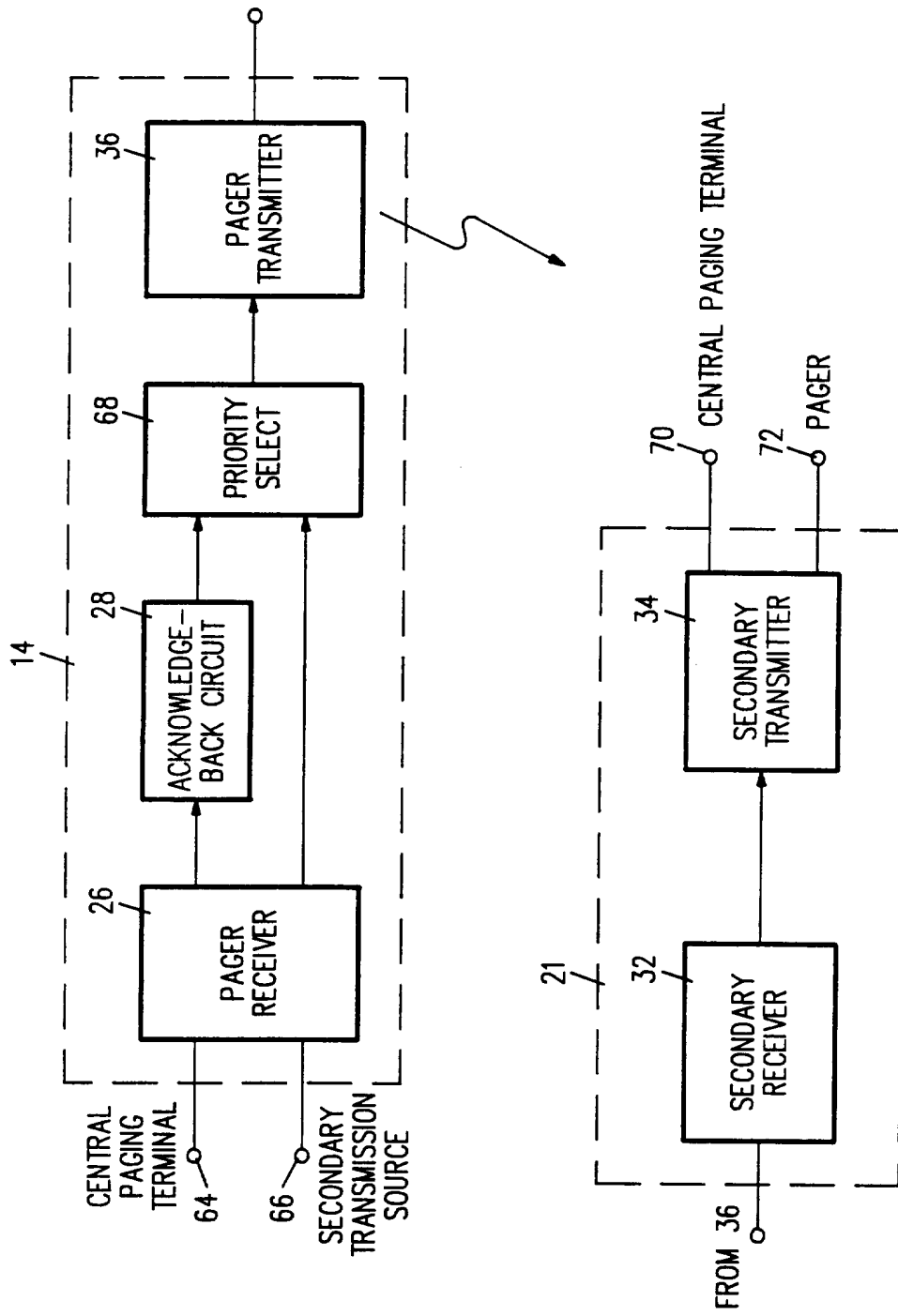


FIG. 5

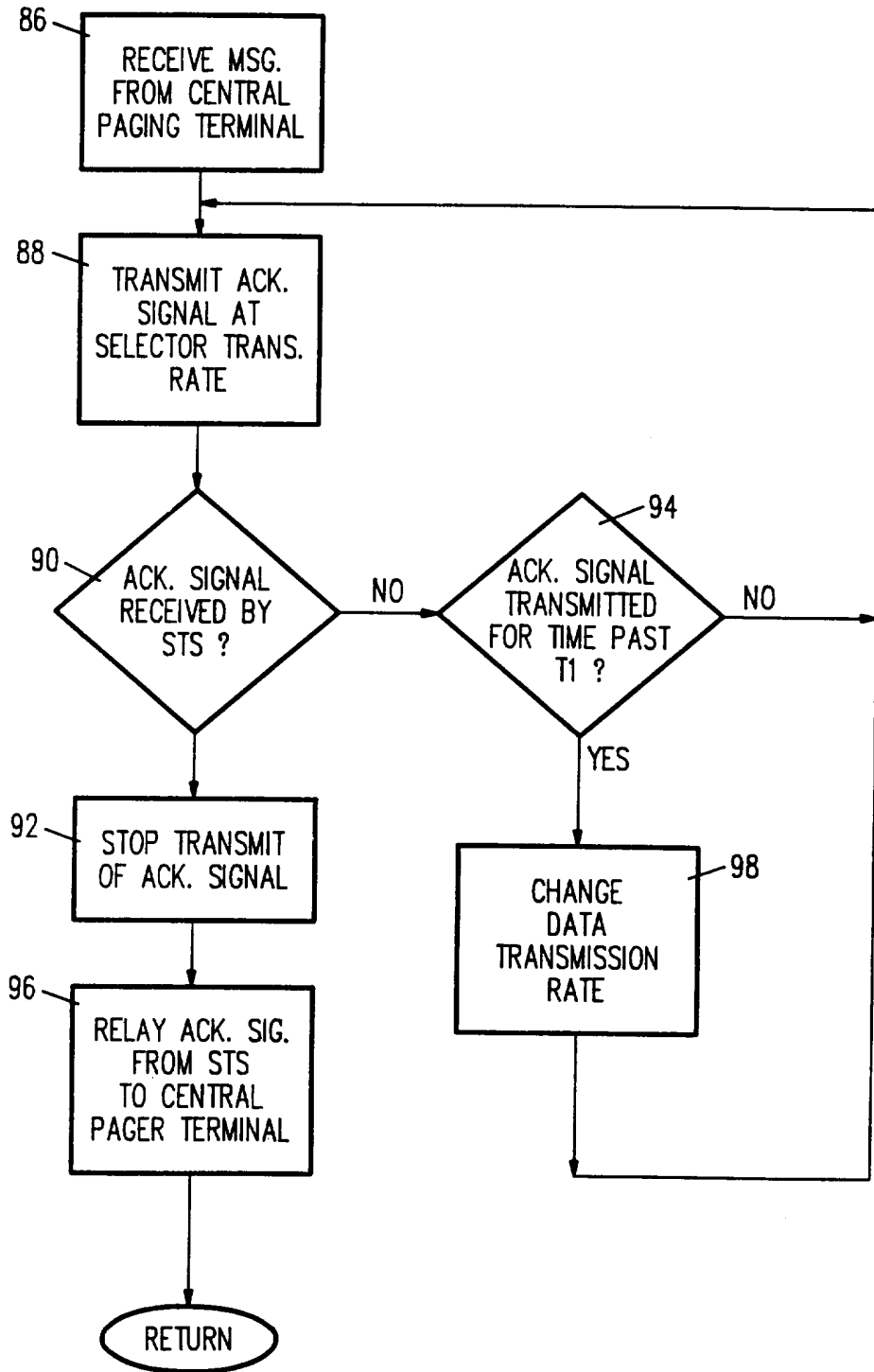


FIG. 7

INTERNATIONAL SEARCH REPORT

International application No.
PCT/US95/12166

A. CLASSIFICATION OF SUBJECT MATTER

IPC(6) :H04Q 7/12, 7/32
US CL :379/57

According to International Patent Classification (IPC) or to both national classification and IPC

B. FIELDS SEARCHED

Minimum documentation searched (classification system followed by classification symbols)

U.S. : 379/57, 56, 58, 59, 61; 455/13.4, 13.1, 33.1, 34.1, 56.1; 340/825.44

Documentation searched other than minimum documentation to the extent that such documents are included in the fields searched

Electronic data base consulted during the international search (name of data base and, where practicable, search terms used)

C. DOCUMENTS CONSIDERED TO BE RELEVANT

Category*	Citation of document, with indication, where appropriate, of the relevant passages	Relevant to claim No.
X,P	US, A, 5,404,569 (SCHWENDEMAN ET AL) 04 April 1995, Figs. 1, 2, 11, Cols. 11-12.	1-19
X	WO, A, 88/06830 (RODRIGUES ET AL) 07 September 1988, Figs. 1 & 4, pp. 3-6.	1-7, 9-14, 16-19

Further documents are listed in the continuation of Box C.

See patent family annex.

* Special categories of cited documents:	*T* later document published after the international filing date or priority date and not in conflict with the application but cited to understand the principle or theory underlying the invention
A document defining the general state of the art which is not considered to be part of particular relevance	*X* document of particular relevance; the claimed invention cannot be considered novel or cannot be considered to involve an inventive step when the document is taken alone
E earlier document published on or after the international filing date	*Y* document of particular relevance; the claimed invention cannot be considered to involve an inventive step when the document is combined with one or more other such documents, such combination being obvious to a person skilled in the art
L document which may throw doubts on priority claim(s) or which is cited to establish the publication date of another citation or other special reason (as specified)	*&* document member of the same patent family
O document referring to an oral disclosure, use, exhibition or other means	
P document published prior to the international filing date but later than the priority date claimed	

Date of the actual completion of the international search

13 NOVEMBER 1995

Date of mailing of the international search report

01 FEB 1996

Name and mailing address of the ISA/US
Commissioner of Patents and Trademarks
Box PCT
Washington, D.C. 20231

Facsimile No. (703) 305-3230

Authorized officer

Michael B. Chernoff
MICHAEL B. CHERNOFF

Telephone No. (703) 305-4750