



US00D455793S

(12) **United States Design Patent**
Lin

(10) **Patent No.:** **US D455,793 S**

(45) **Date of Patent:** **** Apr. 16, 2002**

(54) **LIQUID CRYSTAL DISPLAY MONITOR FOR MULTI-MEDIA GAMES**

(75) Inventor: **Wen Ping Lin**, Taipei (TW)

(73) Assignee: **Legend Technology Co., Ltd.**, Taipei Hsien (TW)

(**) Term: **14 Years**

(21) Appl. No.: **29/138,307**

(22) Filed: **Mar. 12, 2001**

(30) **Foreign Application Priority Data**

Dec. 4, 2000 (TW) 089308084

(51) **LOC (7) Cl.** **21-01**

(52) **U.S. Cl.** **D21/329; D14/496**

(58) **Field of Search** D21/324, 329, D21/333; D14/496; 273/148 B; 463/1, 30, 46, 47; 349/1, 2, 5, 7, 11, 17, 19, 58; 345/50, 87, 903, 905

(56) **References Cited**

U.S. PATENT DOCUMENTS

4,568,080 A * 2/1986 Yokoi 463/46

4,720,781 A	*	1/1988	Crossland et al.	349/1
5,777,704 A	*	7/1998	Selker	349/1
D430,169 S	*	8/2000	Sibora	D14/496
6,164,645 A	*	12/2000	Weiss	463/46
D436,633 S	*	1/2001	Shimoide et al.	D21/329
6,262,785 B1	*	7/2001	Kim	349/58
D449,655 S	*	10/2001	Yamanaka	D21/329

* cited by examiner

Primary Examiner—Prabhakar Deshmukh

(74) *Attorney, Agent, or Firm*—A & J

(57) **CLAIM**

The ornamental design for an liquid crystal display monitor for multi-media games, as shown and described.

DESCRIPTION

FIG. 1 is a perspective view of an liquid crystal display monitor for multi-media games.

FIG. 2 is a front side elevation view thereof;

FIG. 3 is a rear side elevation view thereof;

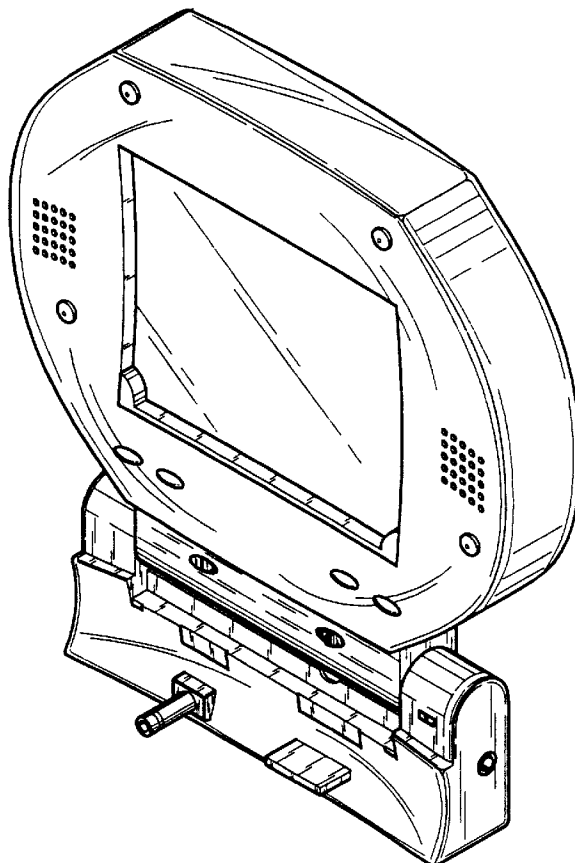
FIG. 4 is a left side elevation view thereof;

FIG. 5 is a right side elevation view thereof;

FIG. 6 is a top plan view thereof; and,

FIG. 7 is a bottom plan view thereof.

1 Claim, 4 Drawing Sheets



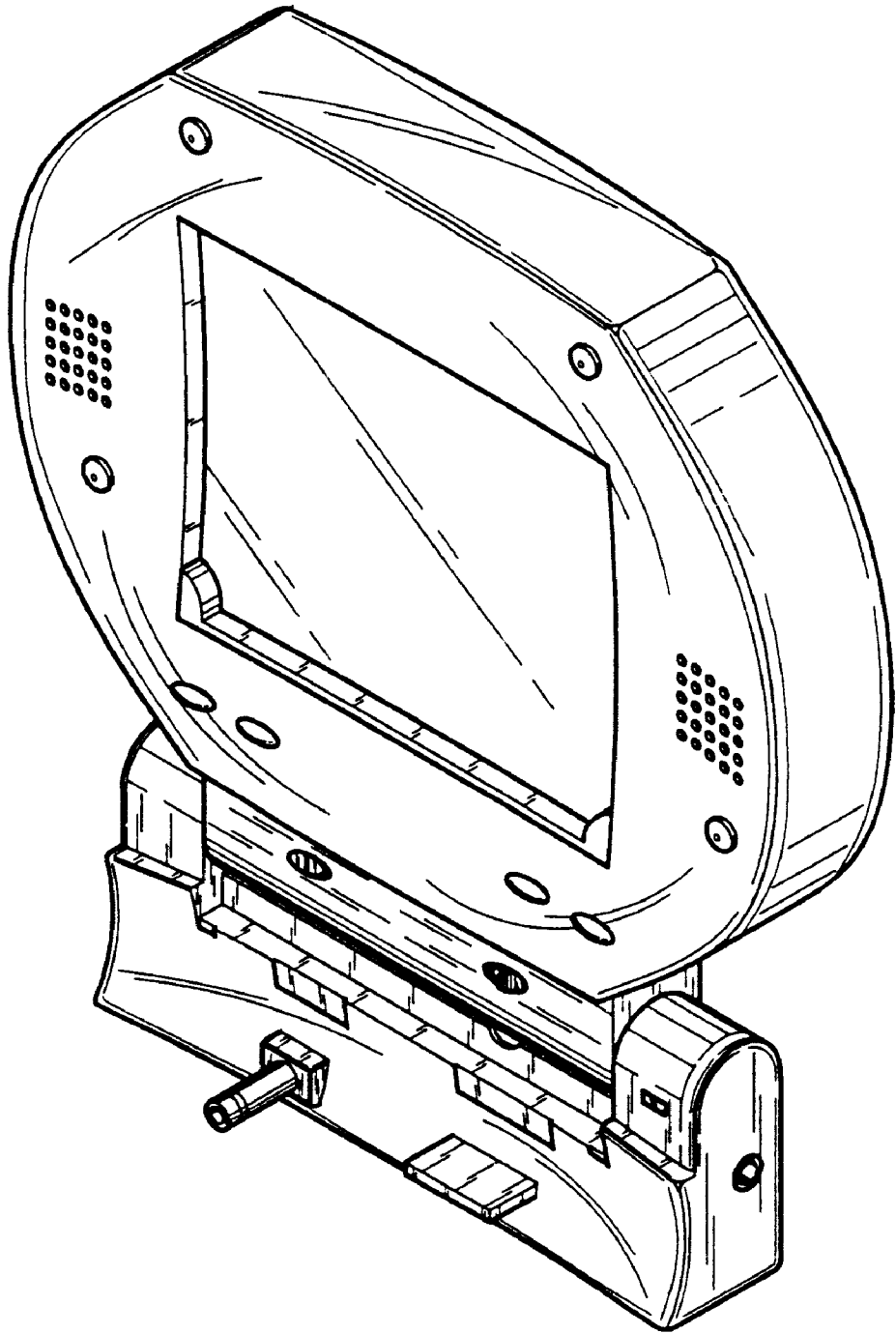


FIG. 1

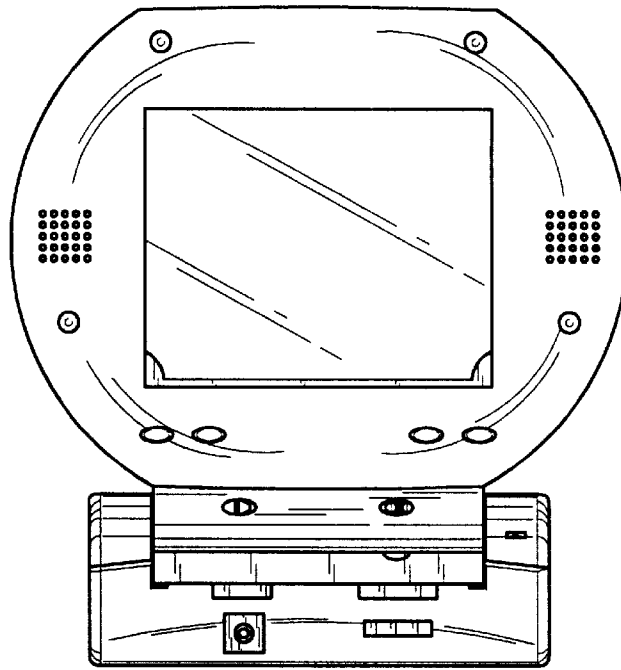


FIG. 2

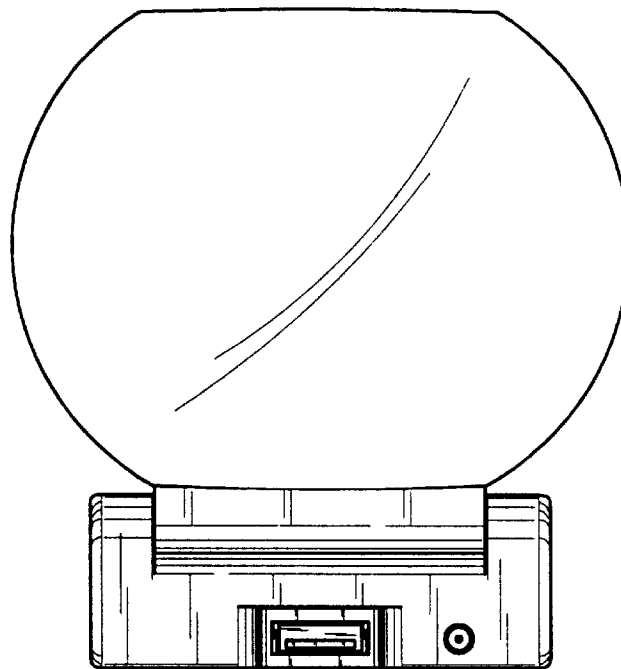


FIG. 3

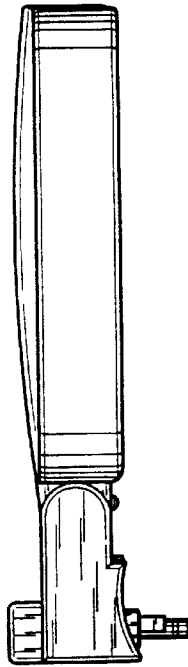


FIG. 4

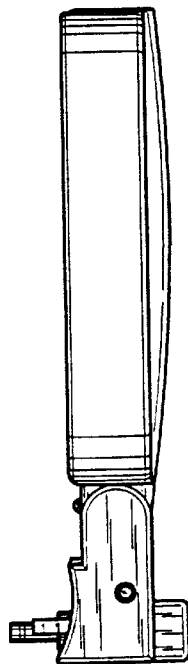


FIG. 5

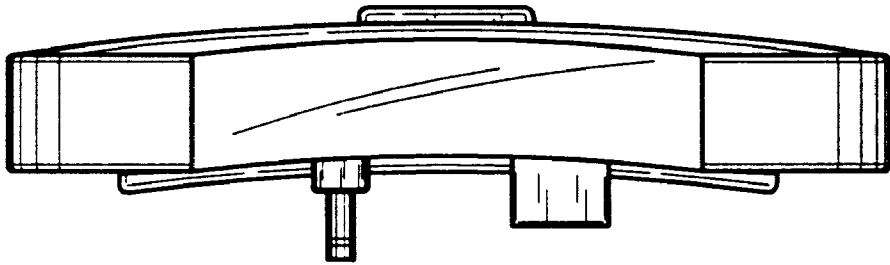


FIG. 6

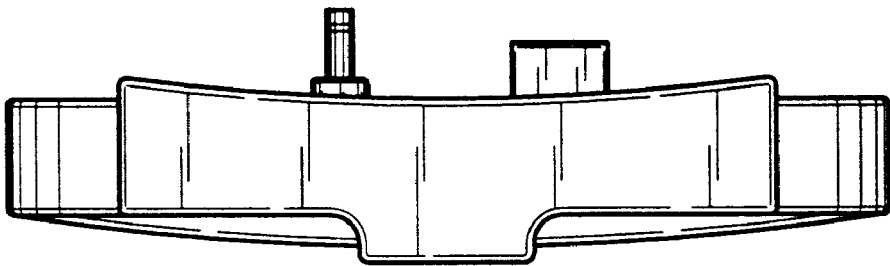


FIG. 7