



US0D1019611S

(12) **United States Design Patent**
Wong

(10) **Patent No.:** **US D1,019,611 S**

(45) **Date of Patent:** **** Mar. 26, 2024**

- (54) **EARBUD**
- (71) Applicant: **Zound Industries International AB,**
Stockholm (SE)
- (72) Inventor: **Kenny Hugooh Wong,** Stockholm (SE)
- (73) Assignee: **Zound Industries International A.B.,**
Stockholm (SE)
- (**) Term: **15 Years**
- (21) Appl. No.: **29/800,005**
- (22) Filed: **Jul. 19, 2021**

- 4,895,044 A * 1/1990 Ekins B62K 21/26
74/551.9
- D360,121 S * 7/1995 Anderson D8/90
- D405,342 S * 2/1999 Thompson D8/303
- 6,122,369 A * 9/2000 Hwang H04M 1/6058
379/430
- D488,461 S * 4/2004 Okada D14/223
- D514,094 S * 1/2006 Griffin D14/223
- 7,044,020 B2 * 5/2006 Rosenthal B62K 21/26
74/551.9
- 7,082,206 B2 * 7/2006 Mahoney H04R 25/60
381/328
- D531,169 S * 10/2006 Tokioka D14/223
- D539,268 S * 3/2007 Suzuki D14/206
- D566,099 S * 4/2008 Komiyama D14/206
- D574,361 S * 8/2008 Sasaki D14/223

(Continued)

(30) **Foreign Application Priority Data**

Jan. 19, 2021 (EM) 008407332-0003

(51) **LOC (14) Cl.** **14-01**

(52) **U.S. Cl.**
USPC **D14/223**

(58) **Field of Classification Search**
USPC D14/223, 205, 383, 384, 389; D13/108;
D24/106, 174; 128/864-866;
381/380-381, 328; 74/551.9
CPC H04R 1/10; H04R 25/00; H04R 25/02;
H04R 1/1066; H04R 1/1016; H04R
1/1083; H04R 1/1091

See application file for complete search history.

(56) **References Cited**

U.S. PATENT DOCUMENTS

- 2,529,701 A * 11/1950 Maloff G03B 21/625
524/297
- 2,612,222 A * 9/1952 Sterba B26F 1/3866
33/670
- 2,875,543 A * 3/1959 Sylvester B44F 1/00
264/293
- 2,958,148 A * 11/1960 Sylvester B44F 3/00
264/293

FOREIGN PATENT DOCUMENTS

- CN 305426899 * 11/2019
- EM 008669519-0001 * 9/2021

(Continued)

Primary Examiner — Paula Allen Greene

(74) *Attorney, Agent, or Firm* — ALONZO &
ASSOCIATES; Arlyn Alonzo

(57) **CLAIM**

The ornamental design for an earbud, as shown and described.

DESCRIPTION

FIG. 1 is a perspective view of an earbud showing the new design.

FIG. 2 is a backside view thereof.

FIG. 3 is an inside view thereof.

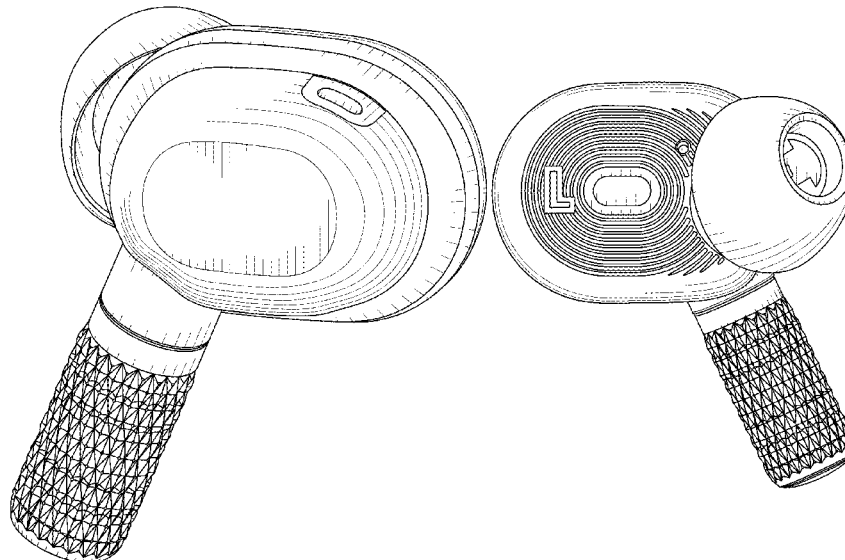
FIG. 4 is a left view thereof.

FIG. 5 is a right view thereof.

FIG. 6 is a bottom view thereof; and,

FIG. 7 is a top view thereof.

1 Claim, 4 Drawing Sheets



(56)

References Cited

U.S. PATENT DOCUMENTS

D593,716 S * 6/2009 Strauss D8/107
 D595,268 S * 6/2009 Kolton D14/223
 D597,084 S * 7/2009 Gondo D14/223
 D605,182 S * 12/2009 Fagnot D14/223
 D607,446 S * 1/2010 Ferrari D3/201
 D618,210 S * 6/2010 Andre D14/205
 D618,211 S * 6/2010 Oguro D14/205
 D623,630 S * 9/2010 Ohori D14/223
 D627,338 S * 11/2010 Koss D14/223
 D631,470 S * 1/2011 Yoneyama D14/223
 D637,585 S * 5/2011 Nagayama D14/223
 D639,282 S * 6/2011 Ohori D14/223
 D641,011 S * 7/2011 Gondo D14/206
 8,111,861 B2 * 2/2012 Lowry H04R 1/1016
 381/328
 D662,493 S * 6/2012 Chen D14/223
 D667,818 S * 9/2012 Sogabe D14/223
 D669,058 S * 10/2012 Lee D14/223
 D682,257 S * 5/2013 Zheng D14/223
 D686,597 S * 7/2013 Lee D14/223
 D701,195 S * 3/2014 Katsumata D14/223
 8,712,087 B2 * 4/2014 Ozawa H04R 1/345
 381/328
 8,879,768 B2 * 11/2014 Podoloff H04R 1/1041
 381/372
 D728,533 S * 5/2015 Poulsen D14/223
 D732,508 S * 6/2015 Funayama D14/223
 D740,255 S * 10/2015 Samrelius D14/206
 D741,287 S * 10/2015 Harata D14/223
 9,197,956 B2 * 11/2015 Iseberg H04R 1/1016
 D747,295 S * 1/2016 Eastwood D14/223
 D780,157 S 2/2017 Uggla
 D781,821 S 3/2017 Petersen
 D790,519 S * 6/2017 Jun D14/384
 D798,844 S * 10/2017 Nokuo D14/223
 D820,808 S 6/2018 Petersen

D822,009 S * 7/2018 Matoba D14/223
 D829,193 S * 9/2018 Cai D14/223
 D847,125 S * 4/2019 Akana D14/206
 D851,626 S 6/2019 Hsieh
 D871,366 S 12/2019 Petersen
 D875,713 S * 2/2020 Kim D14/205
 D883,260 S * 5/2020 Hu D14/223
 D890,138 S * 7/2020 Peng D14/223
 D914,644 S * 3/2021 Zhu D14/223
 D928,126 S * 8/2021 Chen D14/223
 D938,384 S * 12/2021 Guerena D14/205
 D938,935 S * 12/2021 Park D14/205
 D940,690 S * 1/2022 Zhang D14/223
 D948,482 S * 4/2022 Liu D14/223
 D963,613 S * 9/2022 Huang D14/223
 D971,887 S * 12/2022 Li D14/223
 D975,066 S * 1/2023 Akana D14/223
 D976,236 S * 1/2023 Sasaki D14/223
 D980,826 S * 3/2023 Bennett D14/223
 D997,133 S * 8/2023 Yoneyama D14/223
 D1,000,424 S * 10/2023 Huang D14/223
 D1,002,576 S * 10/2023 Chen D14/223
 2008/0013774 A1 * 1/2008 Hosaka H04R 1/2842
 381/380
 2012/0155692 A1 * 6/2012 Chen H04R 1/1058
 381/380
 2012/0237074 A1 * 9/2012 Aase H04R 1/1058
 29/858
 2013/0004011 A1 * 1/2013 Hayashida H04R 1/345
 381/380
 2015/0382100 A1 * 12/2015 Azmi H04R 1/2823
 381/380
 2017/0164087 A1 * 6/2017 Kurtz H04R 1/1016

FOREIGN PATENT DOCUMENTS

GB 9008060735-0001 * 7/2020
 JP D1694761 * 8/2021

* cited by examiner

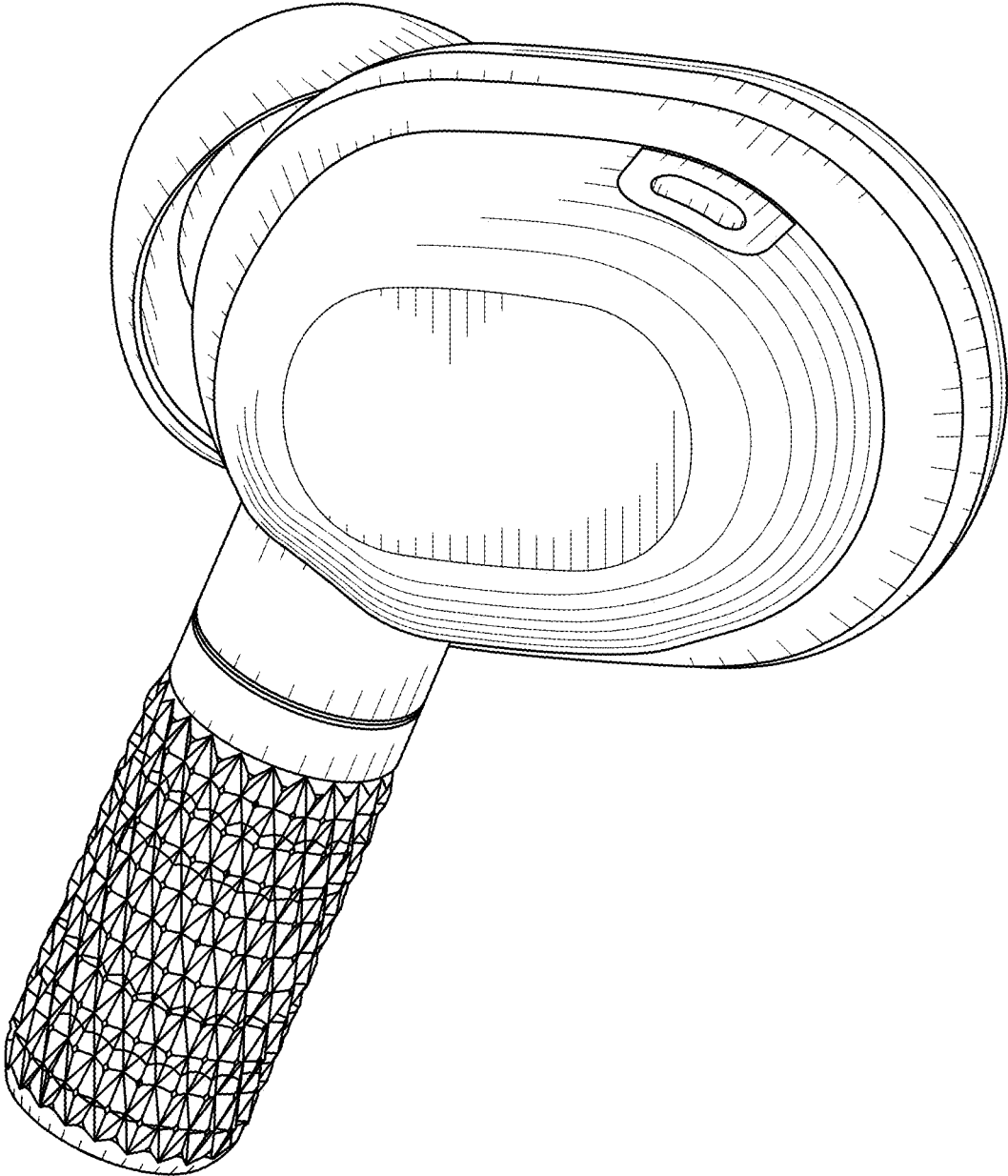


FIG. 1

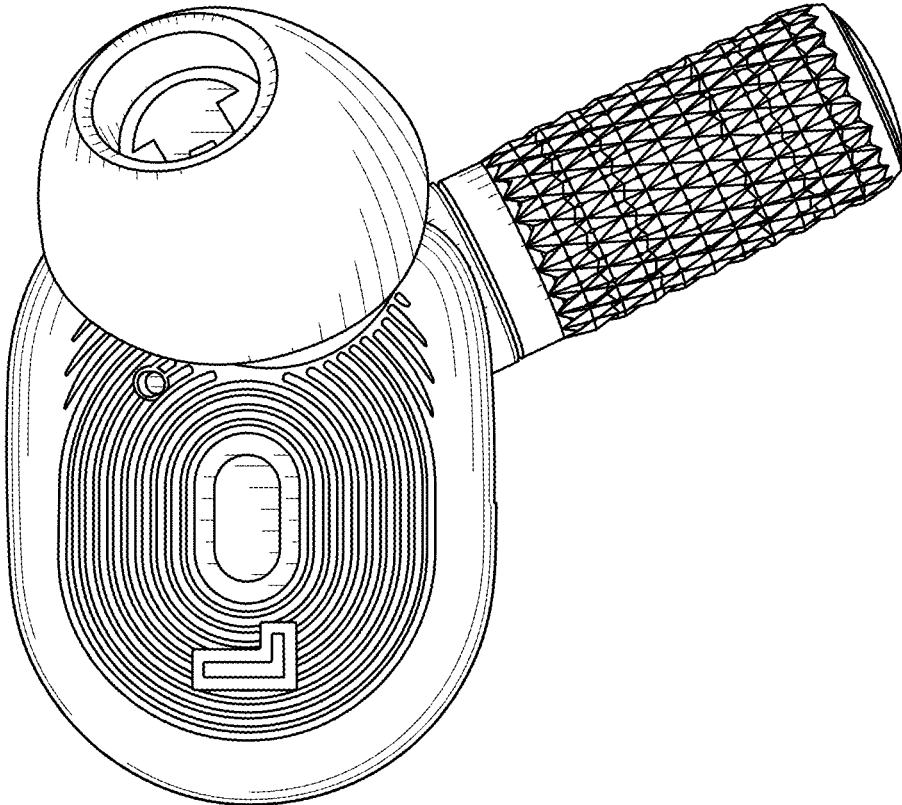


FIG. 3

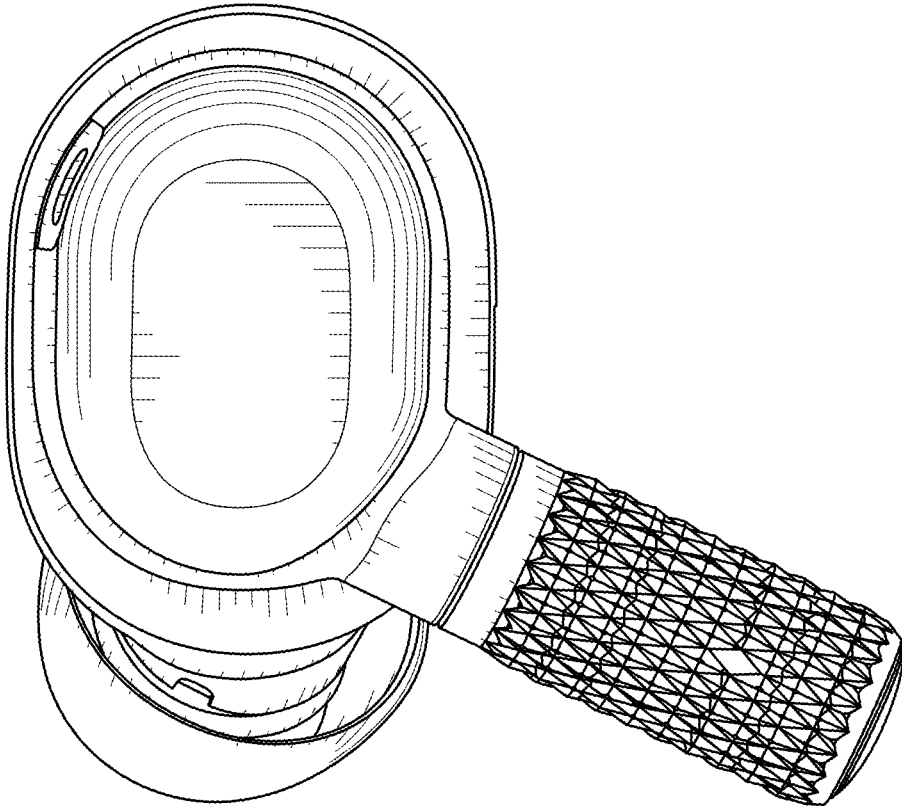


FIG. 2

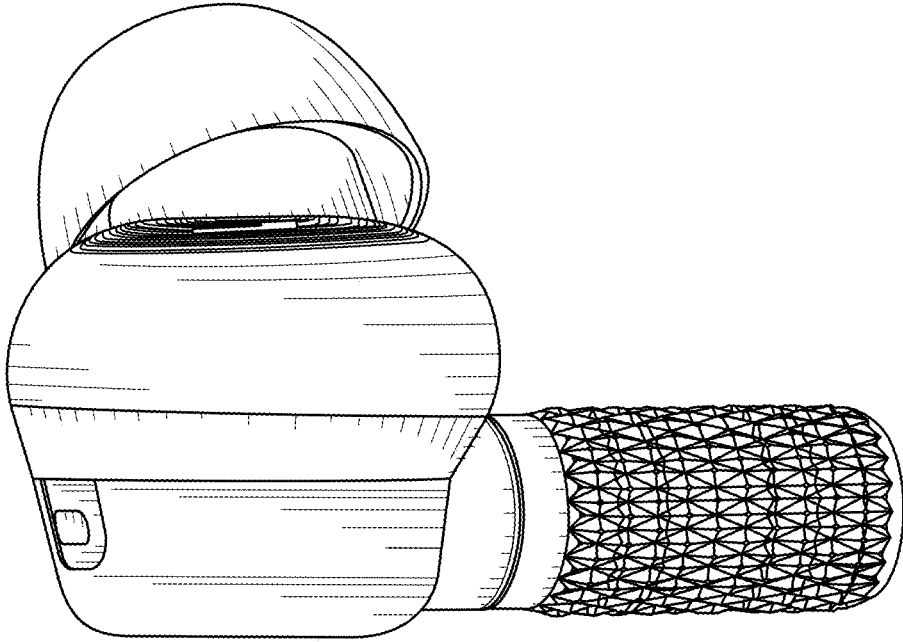


FIG. 5

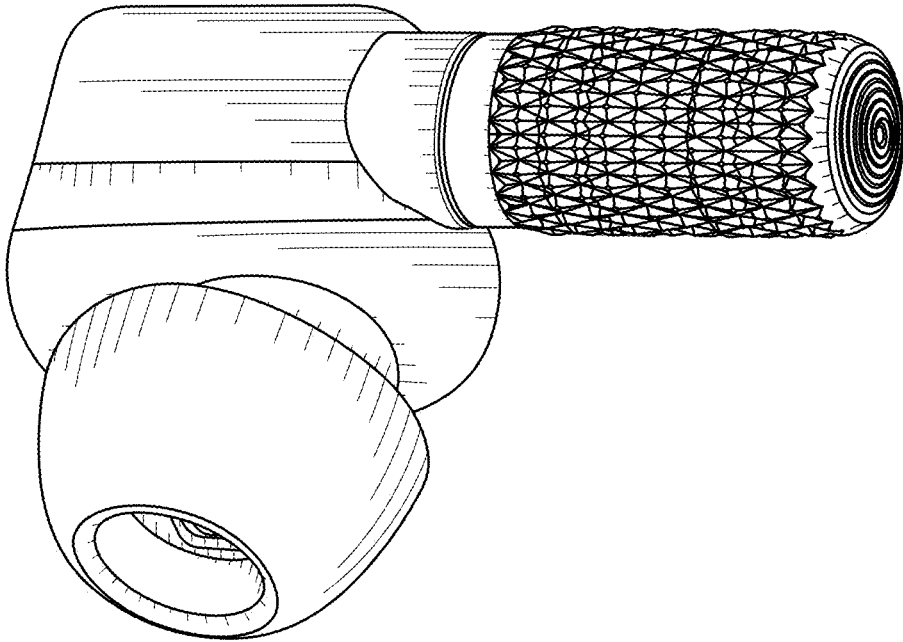


FIG. 4

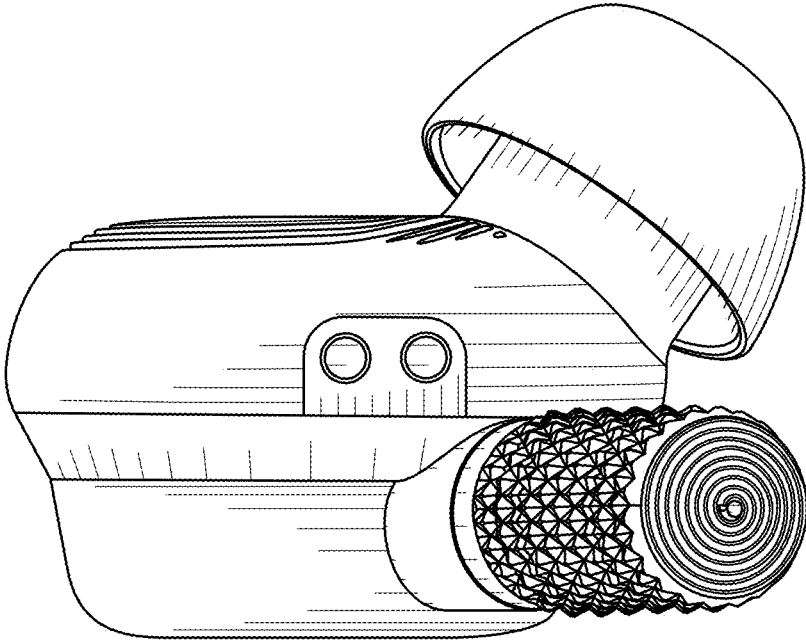


FIG. 6

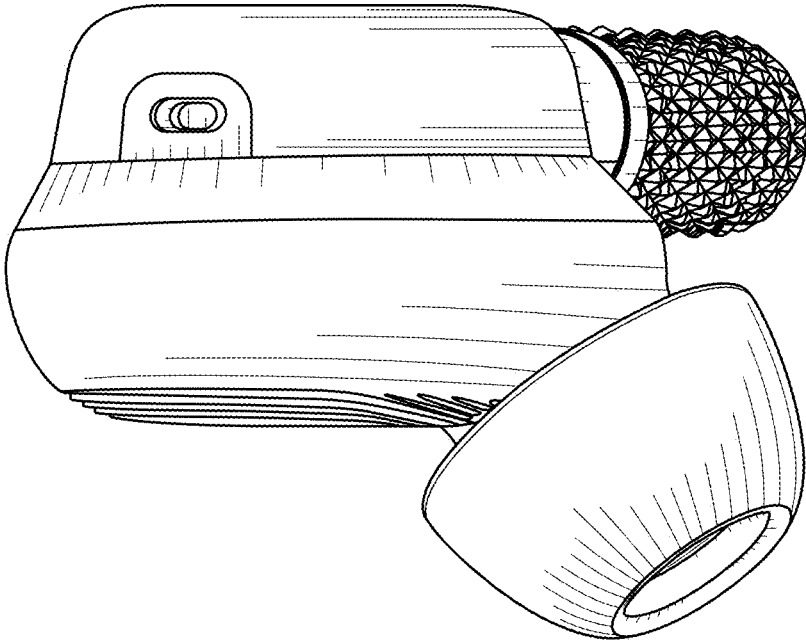


FIG. 7