

(21) Application No: 1303871.6

(22) Date of Filing: 04.03.2013

(71) Applicant(s):  
**Colin Bailey**  
62a Anerley Park, Anerley, London, SE20 8NQ,  
United Kingdom

(72) Inventor(s):  
**Colin Bailey**

(74) Agent and/or Address for Service:  
**Graham Jones & Company**  
77 Beaconsfield Road, Blackheath, LONDON,  
SE3 7LG, United Kingdom

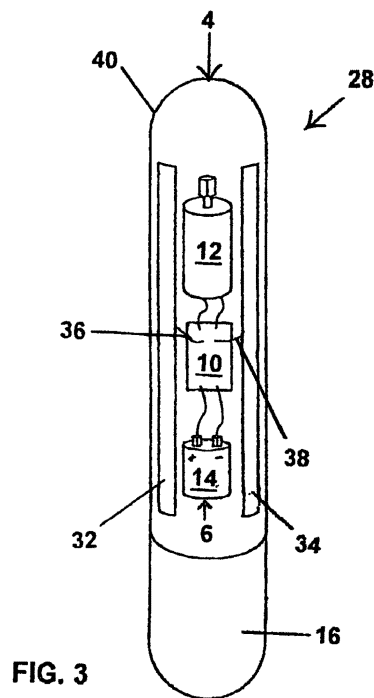
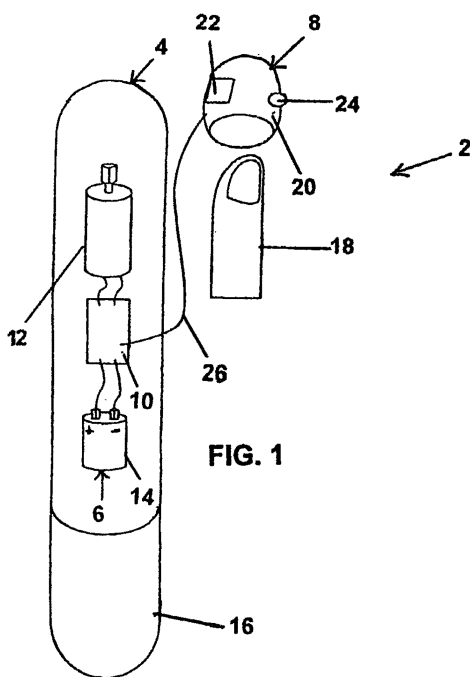
(51) INT CL:  
**A61H 23/02** (2006.01)

(56) Documents Cited:  
**GB 2479735 A**                    **EP 1928392 A1**  
**WO 2010/108491 A1**           **WO 2010/032162 A1**  
**WO 2007/096595 A2**           **US 20120304216 A1**  
**US 20070179412 A1**           **US 20060270897 A1**  
**US 20030073881 A1**

(58) Field of Search:  
INT CL **A61H**  
Other: **EPODOC, WPI**

(54) Title of the Invention: **Apparatus for giving pleasure to a person**  
Abstract Title: **Pulse-linked apparatus for giving pleasure to a person**

(57) An apparatus 2 such as a dildo or massager for giving sexual stimulation or pleasure to a male or female person has a sensor 8 which senses the heart rate of a heartbeat or pulse and causes a drive means 6 comprising a printed circuit board 10, electric motor 12 and battery 14 to vary its mode of operation, such as the frequency, duration or sequence of vibration, reciprocation or rotational motion of a stimulating portion 4 for contacting the person to give pleasure consequent upon the sensed pulse. A separate sensor 8 may have a cap 20 with light 24 and light sensor 22 to detect the pulse which is sent by wire 26 or wirelessly, or an integral sensor 30 may have touch strips 32,34 as terminals of an electric circuit which detect the pulse rate.



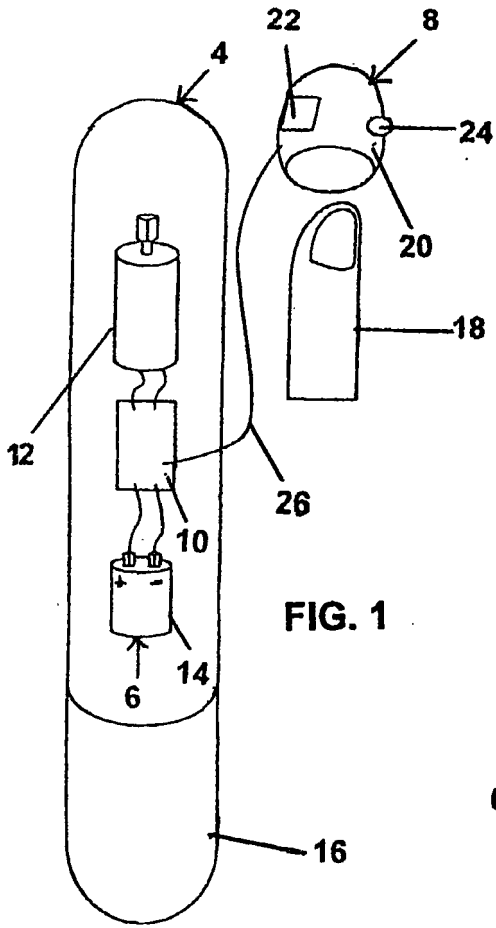


FIG. 1

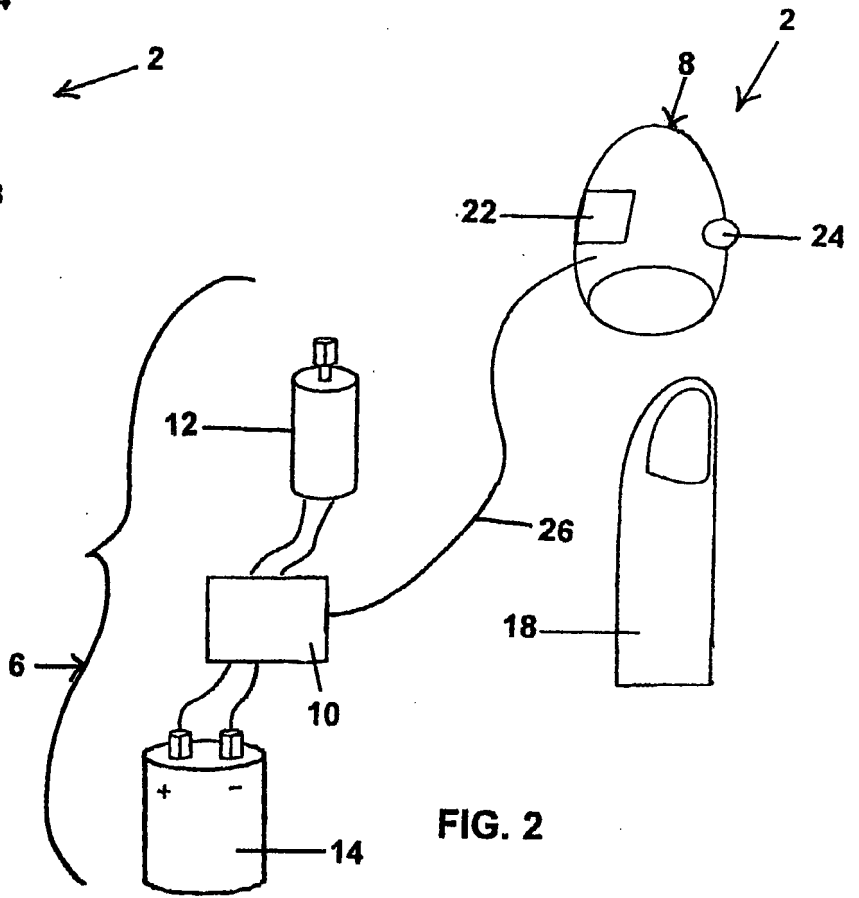


FIG. 2

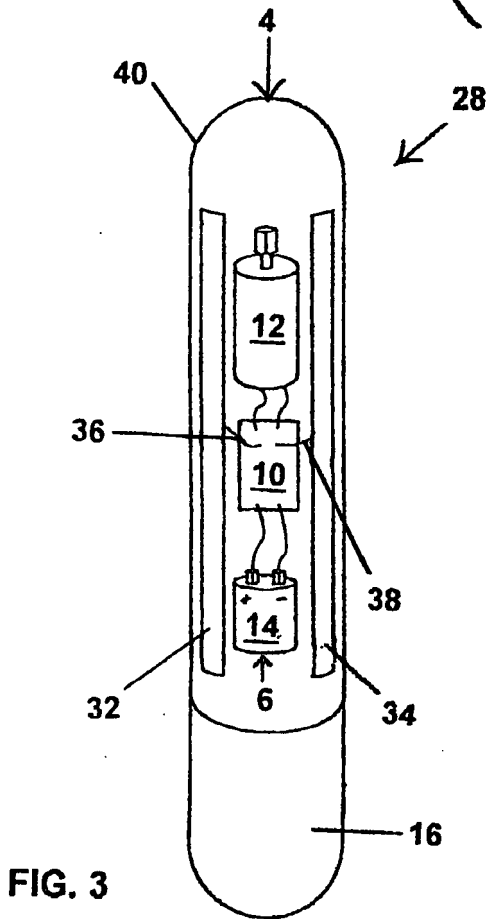


FIG. 3

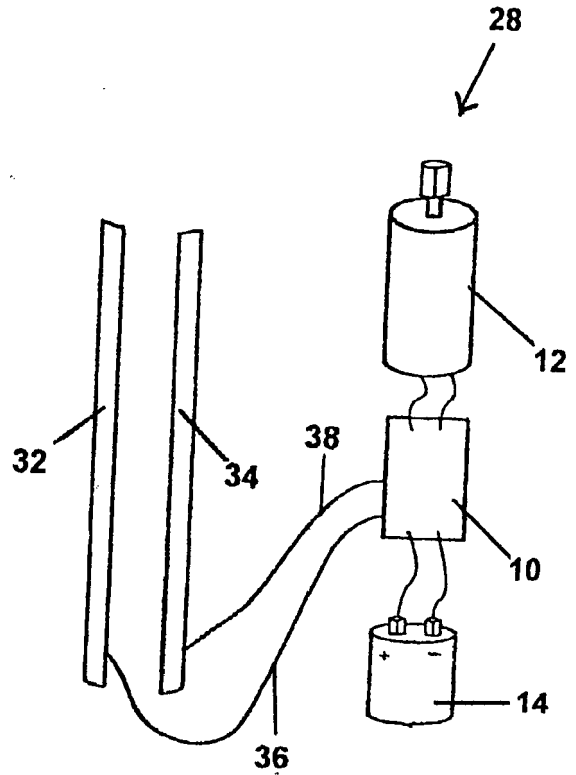


FIG. 4

## APPARATUS FOR GIVING PLEASURE TO A PERSON

This invention relates to apparatus for giving pleasure to a person.

There are many different types of known apparatus for giving pleasure to a person. Thus, for example, the known apparatus may be a dildo or a massager. There is always a need and/or a commercial market for new apparatus for giving pleasure to a person. It is an aim of the present invention to provide such apparatus.

Accordingly, in one non-limiting embodiment of the present invention there is provided apparatus for giving pleasure to a person, which apparatus comprises:

- (i) a contact portion for contacting the person and giving the pleasure;
- (ii) drive means for causing the contact portion to operate in a mode which gives the pleasure; and
- (iii) sensor means which senses a pulse and which causes the drive means to vary its operation of the contact portion consequent upon the sensed pulse.

The apparatus of the present invention is advantageous in that it is firstly able to give pleasure to a person, and it is secondly able to link the way

in which the apparatus operates to the sensed pulse. Operation of the drive means may be directly linked to the sensed pulse so that, for example, the faster the pulse, the faster the drive means operates. Thus, the more excited a person becomes the faster the drive means operates, which in turn causes the contact portion similarly to operate faster. Alternatively, the operation of the drive means may be by way of a pre-programmed pattern or sequence, and the speed of the pattern or sequence may be varied by the sensed pulse. The variation of the pattern or sequence may be to cause the pattern or sequence to go faster for faster sensed pulse rates. Alternatively, the drive means may be simply turned on and off with each sensed pulse or with each pre-determined number of sensed pulses.

The apparatus may be used such that the sensor means senses the pulse of the person receiving the pleasure. Alternatively, if desired, the sensor means may sense the pulse of another person, for example a partner of the person receiving the pleasure. The sensing of the pulse of the person is in effect the sensing of the person's heartbeat or heart rate since the pulse is a manifestation of the heartbeat or heart rate. Thus, as used herein, the term "pulse" may alternatively be called "heartbeat" or "heart rate".

The apparatus may be one in which the contact portion is a formation for giving the pleasure to a female person. In this case, the contact portion may be a dildo. Other contact portions for giving pleasure to a female person may be employed.

Alternatively, the apparatus may be one in which the contact portion is a formation for giving pleasure to a male person. In this case, the contact

portion may be a diaphragm device having a diaphragm which is made of a flexible material and which has an aperture for receiving a phallus. Such a device is disclosed in my European Patent No. 1928392. Alternatively, the contact portion may be a tubular device for receiving a phallus. Other types of contact portion for giving pleasure to a male person may be employed.

Alternatively, the apparatus may be one in which the contact portion is a massager for a female person and/or a male person. The massager may be for external use, or it may be for internal use.

The apparatus may be for giving pleasure in the form of sexual pleasure, in which case the contact portion may be, for example, the above mentioned dildo, diaphragm device or tubular device. Alternatively the apparatus may be for giving pleasure in the form of simple relaxation, in which case the contact portion may be, for example, the above mentioned massager. The contact portion may be of any shape and size appropriate for giving the intended pleasure to the person.

The drive means may operate to provide a vibratory motion for giving the pleasure. Alternatively, the drive means may operate to provide a reciprocatory motion for giving the pleasure. Alternatively, the drive means may operate to provide a rotational motion for giving the pleasure. Alternatively, the drive means may operate to provide two or more different types of motion for giving the pleasure so that, for example, the drive means may operate to provide a vibratory motion and a reciprocatory motion.

In addition to causing the contact portion to operate in the mode which gives the pleasure, the drive means may additionally operate at least one light

and/or at least one sound. This may be advantageous, for example, in instances where the apparatus is being used in a massage mode, and dimming of one or more lights and/or reducing the volume of music may have a soothing affect. The light or lights and/or the music will usually be in a room and not part of the apparatus, but they may be part of the apparatus if desired.

The apparatus may include control means. The control means may be for controlling the frequency at which the drive means operates. Alternatively or additionally, the control means may control the duration of operation of the drive means.

The apparatus may be one in which the control means is operable to cause the apparatus to operate in a sequence, or in a pre-programmed pattern, or when an event takes place.

The control means may comprise an on/off switch. The on/off switch may be manually operated and/or voice operated.

Preferably, the drive means is an electric drive means. In this case, the drive means may be an electric motor. Other types of drive means may be employed so that, for example, the drive means may be a pneumatic drive means or a hydraulic drive means.

The sensor means may be formed as a sensor means which is separate from the remainder of the apparatus. Alternatively, the sensor means may be formed as an integral part of the remainder of the apparatus. If the sensor means is formed as an integral part of a dildo or other insertion device, then the sensor means may operate to sense internally of a user. The

sensor means may be configured for being worn. Thus, for example, the apparatus may be one in which the sensor means is configured for being worn on a finger or thumb, for being worn around a chest, for being worn on a wrist, or for being worn on an earlobe. The sensor means may be worn elsewhere if desired.

The apparatus may be one in which the sensor means is wire-connected to the drive means. In this case, the wire connection may be a flexible electric wire for giving freedom of movement of the sensor means relative to the remainder of the apparatus. Alternatively, the wire connection may be a rigid connection, for example where the sensor means is fixed in position to the remainder of the apparatus.

Alternatively, the sensor means may be wirelessly connected to the drive means. In this case, the sensor means may be wirelessly connected to the drive means by a radio wave connection, or by a wireless connection operating at another frequency, for example a light frequency.

Embodiments of the invention will now be described solely by way of example and with reference to the accompanying drawings in which:

Figure 1 shows first apparatus of the present invention;

Figure 2 is an exploded view of part of the apparatus shown in Figure 1;

Figure 3 shows second apparatus of the present invention; and

Figure 4 is an exploded view of part of the apparatus shown in Figure 3.

Referring to Figures 1 and 2, there is shown first apparatus 2 for giving pleasure to a person. The apparatus 2 comprises a contact portion 4 for contacting the person giving the pleasure. The apparatus 2 also comprises drive means 6 for causing the contact portion 4 to operate in a mode which gives the pleasure. The apparatus 2 also comprises sensor means 8 which senses a pulse and which causes the drive means 6 to vary its operation of the contact portion 4 consequent upon the sensed pulse.

The contact portion 4 is in the form of a dildo for giving pleasure to a female person. The drive means 6 operates to provide a vibratory motion for giving the pleasure. More specifically, the drive means 6 comprises a printed circuit board 10, an electric motor 12 and a battery 14. The battery 14 is shown for illustrative purposes in Figure 1 but in practice it will be housed in a battery-containing compartment 16.

The sensor means 8 is for being worn on a finger 18 of the person. The sensor means 8 is in the form of a cap 20 which fits over the tip of the finger 18 as shown. The cap 20 is provided with a light sensor 22 and a light 24. The light 24 may be a light of appropriate frequency such for example as an infrared light or an ultraviolet light. The light 24 shines a light through the tip of the finger 18 and the light and/or the intensity of the light is detected by the light sensor 22. The light detected by the light sensor 22 gives an indication of the pulse of the person. The sensed pulse is transmitted by a wire-connection in the form of a flexible wire 26 to the printed circuit board 10. The printed circuit board 26 has a circuit to control the operation of the electric motor 12 as desired. The power for the printed circuit board 10 and



the electric motor 12 is provided by the battery 14. The electric motor 12 is one that produces vibration so that the contact portion 4 is caused to vibrate.

Referring now to Figures 3 and 4, there is shown second apparatus 28 for giving pleasure to a person. Similar parts as in the apparatus 2 have been given the same reference numerals for ease of comparison and understanding. The apparatus 28 is such that it utilises sensor means 30 instead of the sensor means 8. The sensor means 30 is in the form of two touch strips 32, 34. The touch strips 32, 34 are connected by wires 36, 38 respectively to the printed circuit board 10. The touch strip 32 may form a negative terminal and the touch strip 34 may form a positive terminal. When the touch strips 32, 34 are in contact with a person then the person is able to complete an electrical circuit. The touch strips 32, 34 may be provided on the outside of a housing 40 of the contact portion 4.

It is to be appreciated that the embodiments of the invention described above with reference to the accompanying drawings have been given by way of example only and that modifications may be effected. Thus, for example, the contact portion 4 in the form of the dildo may be used by a male person. The contact portion 4 may be other than a dildo and it may thus be a tubular device for receiving a phallus. The drive means 6 and the sensor means 8, 30 may be other than those shown. The drive means 6 may operate to give an alternative or additional motion including a reciprocatory motion and a rotational motion. The apparatus 2, 28 may be provided with control means (not shown). The control means may control the frequency at which the drive means operates and/or the duration of operation of the drive means. The

control means may also cause the apparatus of the invention to operate in a sequence, or a pre-programmed pattern, or when an event takes place. The event may be, for example, the drive means ceasing to operate or the drive means changing its mode of operation. Alternatively or additionally the control means may comprise a simple on/off switch provided on the housing 40. Individual components shown in the drawings are not limited to use in their drawings and they may be used in other drawings and in all aspects of the invention.

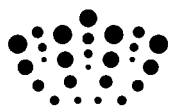
**CLAIMS**

1. Apparatus for giving pleasure to a person, which apparatus comprises:
  - (i) a contact portion for contacting the person and giving the pleasure;
  - (ii) drive means for causing the contact portion to operate in a mode which gives the pleasure; and
  - (iii) sensor means which senses a pulse and which causes the drive means to vary its operation of the contact portion consequent upon the sensed pulse.
2. Apparatus according to claim 1 in which the contact portion is a formation for giving the pleasure to a female person.
3. Apparatus according to claim 2 in which the contact portion is a dildo.
4. Apparatus according to claim 1 in which the contact portion is a formation for giving pleasure to a male person.
5. Apparatus according to claim 4 in which the contact portion is a diaphragm device having a diaphragm which is made of a flexible material and which has an aperture for receiving a phallus.

6. Apparatus according to claim 4 in which the contact portion is a tubular device for receiving a phallus.
7. Apparatus according to claim 1 in which the contact portion is a massager for a female person and/or a male person.
8. Apparatus according to any one of the preceding claims in which the drive means operates to provide a vibratory motion for giving the pleasure.
9. Apparatus according to any one of claims 1 – 7 in which the drive means operates to provide a reciprocatory motion for giving the pleasure.
10. Apparatus according to any one of claims 1 – 7 in which the drive means operates to provide a rotational motion for giving the pleasure.
11. Apparatus according to any one of the preceding claims in which the drive means operates at least one light and/or at least one sound.
12. Apparatus according to any one of the preceding claims and including control means.
13. Apparatus according to claim 12 in which the control means controls the frequency at which the drive means operates.

14. Apparatus according to claim 12 or claim 13 in which the control means controls the duration of operation of the drive means.
15. Apparatus according to any one of claims 12 – 14 in which the control means is operable to cause the apparatus to operate in a sequence, or in a pre-programmed pattern, or when an event takes place.
16. Apparatus according to any one of claims 12 – 15 in which the control means comprises an on/off switch.
17. Apparatus according to any one of the preceding claims in which the drive means is an electric drive means.
18. Apparatus according to any one of the preceding claims in which the sensor means is formed as a sensor means which is separate from the remainder of the apparatus.
19. Apparatus according to claim 18 in which the sensor means is configured for being worn.
20. Apparatus according to claim 19 in which the sensor means is configured for being worn on a finger or thumb, for being worn around a chest, for being worn on wrist, or for being worn on an earlobe.

21. Apparatus according to any one of claims 1 – 17 in which the sensor means is formed as an integral part of the remainder of the apparatus.
22. Apparatus according to any one of the preceding claims in which the sensor means is wire-connected to the drive means.
23. Apparatus according to any one of claims 1 – 21 in which the sensor means is wirelessly-connected to the drive means.
24. Apparatus for giving pleasure to a person, substantially as herein described with reference to the accompanying drawings.



**Application No:** GB1303871.6

**Examiner:** Robert Crowshaw

**Claims searched:** 1-24

**Date of search:** 27 June 2013

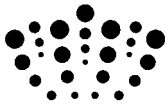
**Patents Act 1977: Search Report under Section 17**

**Documents considered to be relevant:**

Category	Relevant to claims	Identity of document and passage or figure of particular relevance
X,Y	X: 1-4 & 6-23; Y: 5	US2006/270897 A1 (HOMER) Whole document particularly relevant.
X,Y	X: 1-4 & 6-23; Y: 5	US2012/304216 A1 (STRONG) Whole document relevant, but see for example paragraphs 12-18, 41-45 & 59-62.
X,Y	X: 1-4 & 6-23; Y: 5	WO2010/032162 A1 (MENA) Whole document, but see in particular pages 4-7.
X,Y	X: 1-4 & 6-23; Y: 5	GB2479735 A (MAGGS) Whole document.
X	1-3, 7-17, 21 & 22	WO2007/096595 A2 (KENNY) Whole document.
X	1-3, 7-22	US2007/179412 A1 (IMBODEN) Whole document.
X	1-3 & 7-23	US2003/073881 A1 (LEVY) Whole document relevant, but see for example paragraph 125.
X	1-3 & 7-23	WO2010/108491 A1 (BETAT) See abstract and figures. Whole document relevant.
Y	5	EP1928392 A1 (BAILEY) Whole document, noting paragraphs 36-38 and figures 7-9.

**Categories:**

X	Document indicating lack of novelty or inventive step	A	Document indicating technological background and/or state of the art.
Y	Document indicating lack of inventive step if combined with one or more other documents of same category.	P	Document published on or after the declared priority date but before the filing date of this invention.
&	Member of the same patent family	E	Patent document published on or after, but with priority date earlier than, the filing date of this application.



**Field of Search:**

Search of GB, EP, WO & US patent documents classified in the following areas of the UKC<sup>X</sup> :

--

Worldwide search of patent documents classified in the following areas of the IPC

A61H
------

The following online and other databases have been used in the preparation of this search report

EPODOC, WPI
-------------

**International Classification:**

<b>Subclass</b>	<b>Subgroup</b>	<b>Valid From</b>
A61H	0023/02	01/01/2006