



US00D685083S

(12) **United States Design Patent**
Schneider et al.

(10) **Patent No.:** **US D685,083 S**

(45) **Date of Patent:** **** Jun. 25, 2013**

(54) **INFUSION DEVICE**

(75) Inventors: **Jared Schneider**, Cranston, RI (US);
Mark Joseph Guarraia, Cranston, RI
(US); **Margaux Frances Boyaval**,
Warwick, RI (US); **Ryan James Shafer**,
Whitinsville, MA (US)

(73) Assignee: **Becton, Dickinson and Company**,
Franklin Lakes, NJ (US)

(**) Term: **14 Years**

(21) Appl. No.: **29/418,256**

(22) Filed: **Apr. 13, 2012**

(51) **LOC (9) Cl.** **24-01**

(52) **U.S. Cl.**
USPC **D24/108; D24/111**

(58) **Field of Classification Search**
USPC D24/108, 107, 118, 121, 129, 162,
D24/164, 167, 169, 114, 111; 604/6.09, 180,
604/151, 154, 164.08, 93.01, 153, 141, 54,
604/533, 506, 19, 48, 500; D7/7, 8
See application file for complete search history.

(56) **References Cited**

U.S. PATENT DOCUMENTS

3,918,355	A	11/1975	Weber	
4,490,141	A	12/1984	Lacko et al.	
D361,617	S *	8/1995	Sancoff et al.	D24/129
D430,288	S *	8/2000	Mason et al.	D24/111
D461,241	S *	8/2002	Moberg et al.	D24/111
D461,891	S *	8/2002	Moberg	D24/111
D479,325	S	9/2003	Tyce	
D479,598	S	9/2003	Tyce	
D479,746	S	9/2003	Tyce	
D576,267	S *	9/2008	Mogensen et al.	D24/108
7,713,258	B2	5/2010	Adams et al.	
7,794,427	B2 *	9/2010	Estes et al.	604/151
D629,503	S *	12/2010	Caffey et al.	D24/108

7,922,708	B2 *	4/2011	Estes et al.	604/500
7,927,306	B2 *	4/2011	Cross et al.	604/151
7,976,493	B2 *	7/2011	Carter et al.	604/67
8,128,597	B2 *	3/2012	Cross et al.	604/151
8,172,803	B2	5/2012	Morrissey et al.	
8,221,359	B2	7/2012	Kristensen et al.	

(Continued)

OTHER PUBLICATIONS

U.S. Appl. No. 29/405,929, filed Nov. 8, 2011.

(Continued)

Primary Examiner — Ian Simmons

Assistant Examiner — Eleni H Aldridge

(74) *Attorney, Agent, or Firm* — Roylance, Abrams, Berdo
and Goodman, LLP

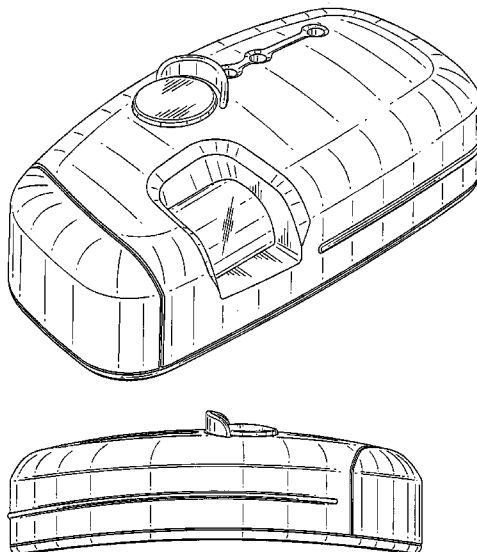
(57) **CLAIM**

The ornamental design for an infusion device, as shown and
described.

DESCRIPTION

FIG. 1 is a perspective view of an infusion device showing our
new design;
FIG. 2 is a top view of the infusion device shown in FIG. 1;
FIG. 3 is a left side elevational view of the infusion device
shown in FIG. 1;
FIG. 4 is a front elevational view of the infusion device shown
in FIG. 1;
FIG. 5 is a rear elevational view of the infusion device shown
in FIG. 1;
FIG. 6 is a right side elevational view of the infusion device
shown in FIG. 1; and,
FIG. 7 is a bottom view of the infusion device shown in FIG.
1.
The broken line showing of a circular detail in FIG. 7 is for the
purpose of illustrating a portion of the article and forms no
part of the claim.

1 Claim, 4 Drawing Sheets



U.S. PATENT DOCUMENTS

8,262,618 B2 9/2012 Scheurer
 D669,165 S * 10/2012 Estes et al. D24/111
 8,277,415 B2 10/2012 Mounce et al.
 8,285,328 B2 10/2012 Caffey et al.
 8,287,467 B2 10/2012 List et al.
 8,287,516 B2 10/2012 Kornerup et al.
 8,306,596 B2 11/2012 Schurman et al.
 8,310,415 B2 11/2012 McLaughlin et al.
 8,313,468 B2 11/2012 Geipel et al.
 2004/0044306 A1 3/2004 Lynch et al.
 2005/0101912 A1 5/2005 Faust et al.
 2006/0001551 A1 1/2006 Kraft et al.
 2006/0173410 A1 8/2006 Moberg et al.
 2007/0093754 A1 4/2007 Mogensen et al.
 2007/0219496 A1 9/2007 Kamen et al.
 2008/0103483 A1 5/2008 Johnson et al.
 2008/0319414 A1 12/2008 Yodfat et al.
 2009/0012472 A1 1/2009 Ahm et al.
 2009/0198191 A1 8/2009 Chong et al.
 2009/0198215 A1 8/2009 Chong et al.
 2009/0240240 A1 9/2009 Hines et al.
 2009/0254041 A1 10/2009 Krag et al.
 2009/0326457 A1 12/2009 O'Connor

2010/0049129 A1 2/2010 Yokoi et al.
 2010/0160902 A1 6/2010 Aeschlimann et al.
 2010/0286714 A1 11/2010 Gyrn et al.
 2010/0291588 A1 11/2010 McDevitt et al.
 2010/0298830 A1 11/2010 Browne et al.
 2012/0053560 A1* 3/2012 Kawamura 604/500
 2012/0253282 A1 10/2012 Nagel et al.
 2012/0259185 A1 10/2012 Yodfat et al.
 2012/0265034 A1 10/2012 Wisniewski et al.
 2012/0277554 A1 11/2012 Schurman et al.
 2012/0277667 A1 11/2012 Yodfat et al.
 2012/0277724 A1 11/2012 Larsen et al.
 2012/0283540 A1 11/2012 Brüggemann
 2012/0291778 A1 11/2012 Nagel et al.
 2012/0293328 A1 11/2012 Blomquist
 2012/0296269 A1 11/2012 Blomquist
 2012/0296310 A1 11/2012 Blomquist
 2012/0296311 A1 11/2012 Brauker et al.

OTHER PUBLICATIONS

U.S. Appl. No. 29/405,933, filed Nov. 8, 2011.
 U.S. Appl. No. 29/405,946, filed Nov. 8, 2011.

* cited by examiner

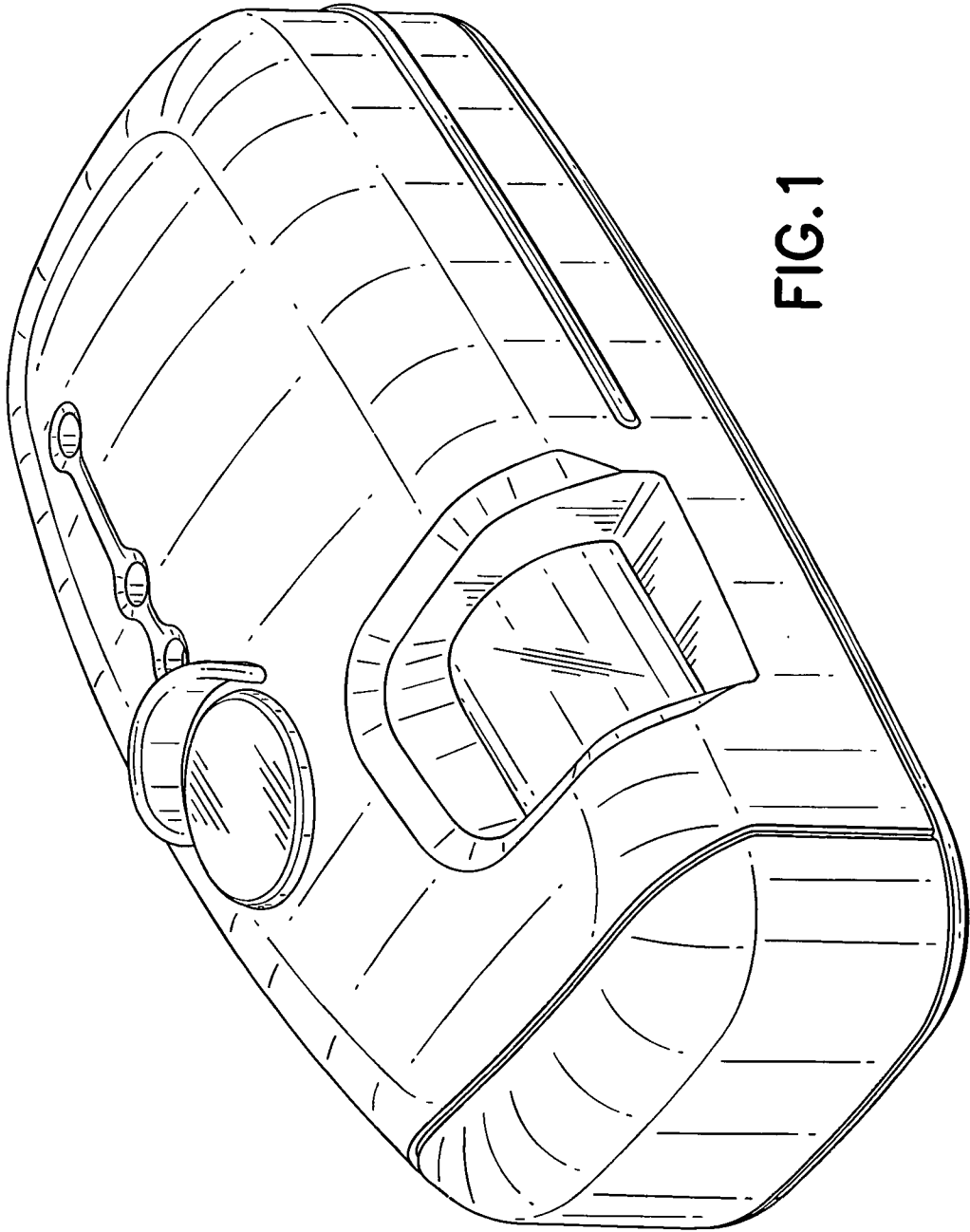


FIG. 1

FIG.2

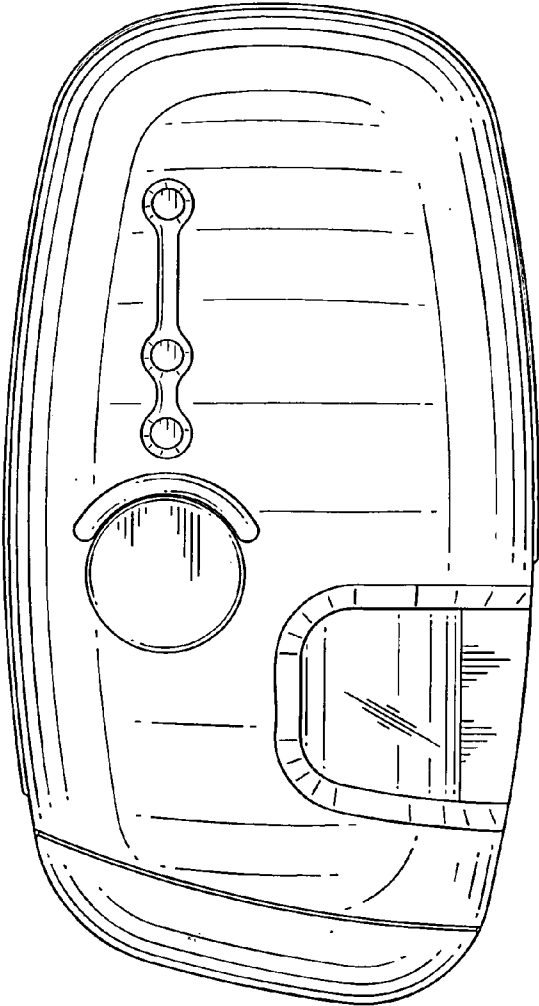
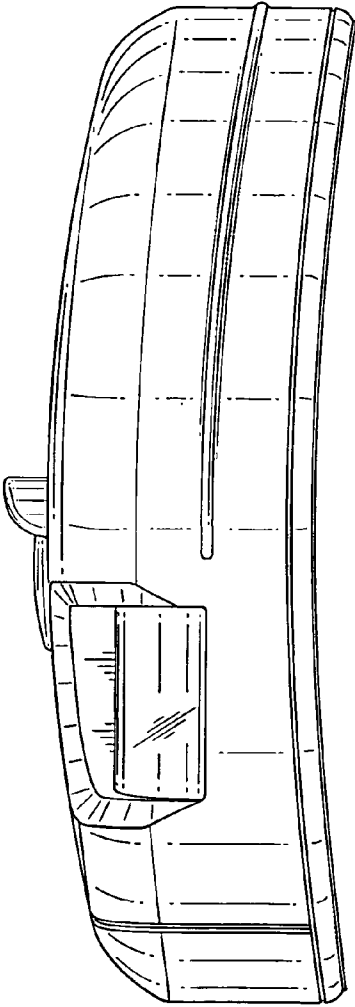


FIG.3



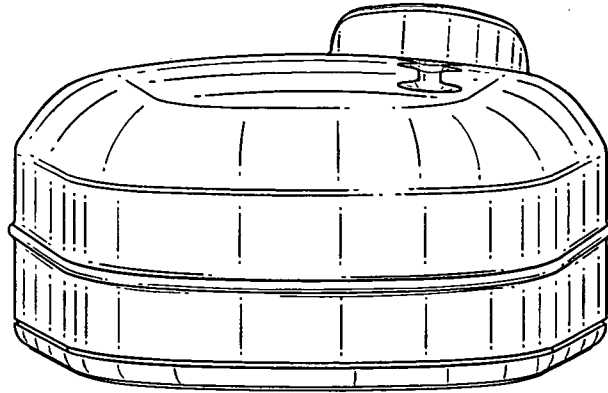


FIG. 4

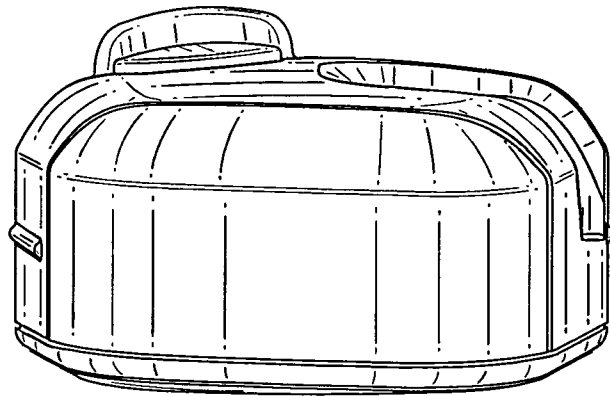


FIG. 5

FIG. 6

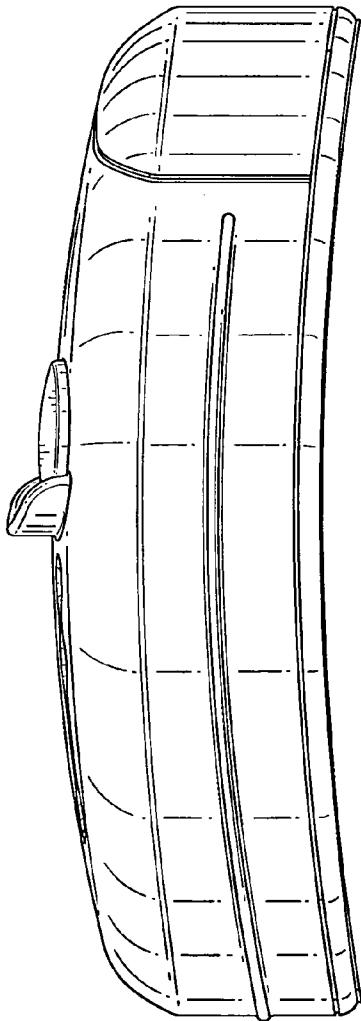


FIG. 7

