



US00D831064S

(12) **United States Design Patent** (10) **Patent No.:** **US D831,064 S**
Shivaji-Rao (45) **Date of Patent:** **** Oct. 16, 2018**

(54) **DISPLAY SCREEN OR PORTION THEREOF WITH ANIMATED GRAPHICAL USER INTERFACE**

OTHER PUBLICATIONS

Symbol Sourcebook: An Authoritative Guide to International Graphic Symbols, McGraw Hill Book Company, New York, NY © 1972, pp. 70.*

(71) Applicant: **Nanolumens Acquisition, Inc.**, Norcross, GA (US)

(Continued)

(72) Inventor: **Vishnu Shivaji-Rao**, Somerset, NJ (US)

Primary Examiner — Philip S Hyder
Assistant Examiner — Cary M Robinson

(73) Assignee: **Nanolumens Acquisition, Inc.**, Norcross, GA (US)

(74) *Attorney, Agent, or Firm* — Theodore Heske, III

(**) Term: **15 Years**

(57) **CLAIM**

The ornamental design for a display screen or portion thereof with animated graphical user interface, as shown and described.

(21) Appl. No.: **29/568,540**

(22) Filed: **Jun. 20, 2016**

(51) **LOC (11) Cl.** **14-04**

(52) **U.S. Cl.** **D14/488**
USPC **D14/488**

(58) **Field of Classification Search**
USPC D14/485–495
CPC ... B60K 37/00; G06F 3/0481; G06F 3/04845; G06F 3/04817; G06F 17/212; G06F 19/3406; G06T 13/80; G06T 15/02
See application file for complete search history.

DESCRIPTION

FIG. 1 and FIG. 2 are the first and second images, respectively, in a sequence for a display screen or portion thereof with animated graphical user interface showing our new design; and,

In another embodiment, FIG. 3 and FIG. 4 are the first and second images, respectively, in a sequence for a display screen or portion thereof with animated graphical user interface showing our new design.

The outermost broken lines shown in the figures illustrate a display screen or portion thereof and form no part of the claimed design.

The appearance of the animated graphical user interface sequentially transitions between the images shown in FIG. 1 and FIG. 2. The process or period in which one image transforms to another forms no part of the claimed design. In another embodiment, the appearance of the animated graphical user interface sequentially transitions between the images shown in FIG. 3 and FIG. 4. The process or period in which one image transforms to another forms no part of the claimed design.

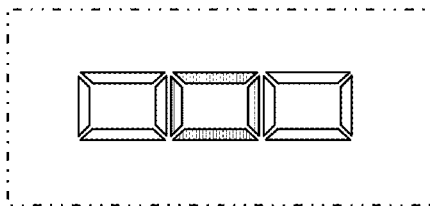
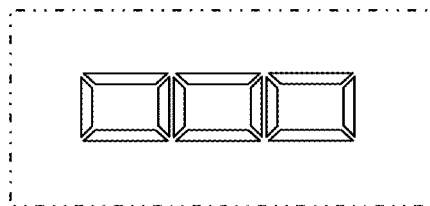
(56) **References Cited**

U.S. PATENT DOCUMENTS

D328,763	S *	8/1992	Laviana	D18/26
D401,230	S *	11/1998	Marshall, Jr.	D14/486
D405,774	S *	2/1999	Yui	D14/488
6,212,547	B1 *	4/2001	Ludwig	G06Q 10/10 348/E7.081
6,848,081	B1 *	1/2005	Yoda	H04N 1/00236 715/741
D525,632	S *	7/2006	Jost	D14/490
D526,922	S *	8/2006	Stowers	D10/103
D534,539	S *	1/2007	Frey	D14/486
D534,540	S *	1/2007	Frey	D14/486
D586,355	S *	2/2009	Mori	D14/486

(Continued)

1 Claim, 1 Drawing Sheet



(56)

References Cited

U.S. PATENT DOCUMENTS

D590,415 S * 4/2009 Ball D14/486
 D593,575 S * 6/2009 Ball D14/486
 D593,576 S * 6/2009 Ball D14/486
 D667,021 S * 9/2012 MacKenzie D14/486
 D675,218 S * 1/2013 Arnold D14/486
 D677,685 S * 3/2013 Simmons D14/486
 D680,130 S * 4/2013 Khan D14/486
 D702,698 S * 4/2014 d'Amore D14/485
 D708,083 S * 7/2014 Nardo D10/102
 D738,898 S * 9/2015 Herold D14/486
 D744,495 S * 12/2015 Bringue D14/485
 D749,621 S * 2/2016 Gerhan D14/487
 D753,669 S * 4/2016 Chen D14/485
 9,310,981 B2 * 4/2016 Lynch G06F 9/44505
 D758,380 S * 6/2016 Park D14/485
 D758,426 S * 6/2016 Park D14/489
 D770,511 S * 11/2016 Gerhan D14/486
 D778,939 S * 2/2017 Caro D14/488
 2005/0178144 A1 * 8/2005 Crisp, III B67D 1/0057
 62/389

2006/0239131 A1 * 10/2006 Nathan G11B 19/025
 369/30.06
 2008/0112700 A1 * 5/2008 Foxenland G03B 13/02
 396/148
 2011/0246932 A1 * 10/2011 Van Roy G06F 3/0481
 715/780
 2014/0189593 A1 * 7/2014 Kurita G06F 3/0488
 715/835
 2015/0047014 A1 * 2/2015 Yoon G06F 21/36
 726/16
 2017/0181645 A1 * 6/2017 Mahalingam A61B 5/0004

OTHER PUBLICATIONS

Symbol Sourcebook: An Authoritative Guide to International Graphic Symbols, McGraw Hill Book Company, New York, NY © 1972, pp. 114.*
 Trademark Serial No. 87080381, Jun. 22, 2016 (filing date), (Applicant) Go Sports Complex, LLC Limited Liability Company Texas.*
 Trademark Serial No. 87570732, Aug. 16, 2017 (filing date), (Applicant) Bridgestone Retail Operations, LLC Limited Liability Company Delaware.*

* cited by examiner

FIG 1

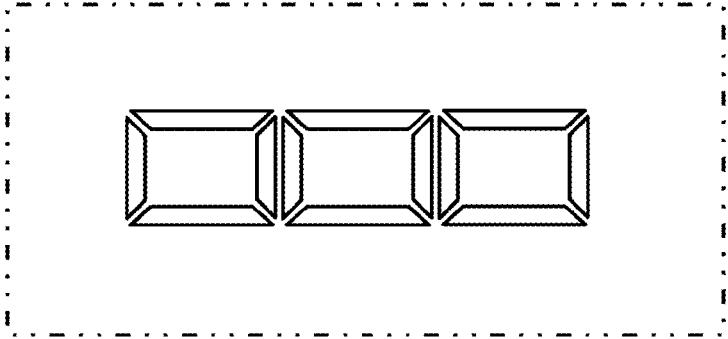


FIG 2

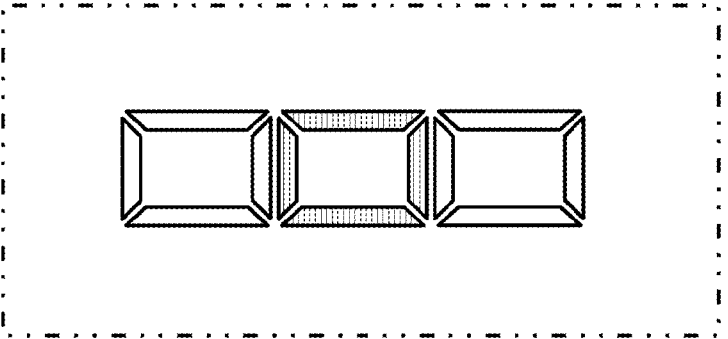


FIG 3

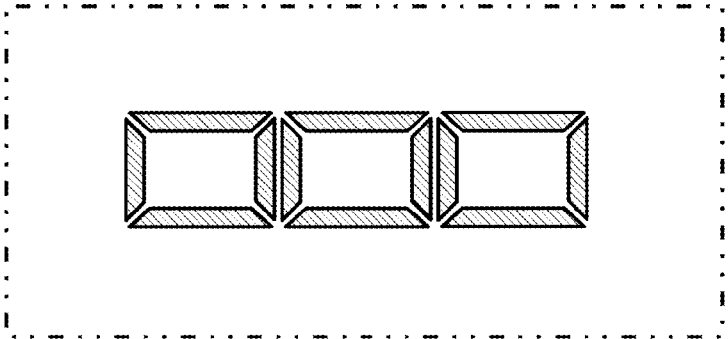


FIG 4

