



US00D733603S

(12) **United States Design Patent**
Graf

(10) **Patent No.:** **US D733,603 S**

(45) **Date of Patent:** **** Jul. 7, 2015**

- (54) **WATCH CONTROL KNOB**
- (71) Applicant: **NIVAROX-FAR S.A., Le Locle (CH)**
- (72) Inventor: **Emmanuel Graf, Le Locle (CH)**
- (73) Assignee: **NIVAROX-FAR S.A., Le Locle (CH)**
- (**) Term: **14 Years**
- (21) Appl. No.: **29/475,749**
- (22) Filed: **Dec. 6, 2013**

Related U.S. Application Data

- (62) Division of application No. 29/425,832, filed on Jun. 27, 2012, now Pat. No. Des. 700,535.

Foreign Application Priority Data

- Dec. 28, 2011 (WO) DM/077 419

- (51) **LOC (10) Cl.** **10-07**
- (52) **U.S. Cl.**
USPC **D10/128; D10/129**

- (58) **Field of Classification Search**
USPC D10/30-39, 1-29, 122-132
CPC G04B 17/06; G04B 17/063; G04B 17/20;
G04B 17/222; G04B 17/227; G04B 18/00;
G04B 18/006; G04B 18/02; B04B 45/02
See application file for complete search history.

(56) **References Cited**

U.S. PATENT DOCUMENTS

248,050 A *	10/1881	Miller	368/169
455,787 A *	7/1891	Bilgram	368/171
759,914 A *	5/1904	Purdy	368/171

798,993 A *	9/1905	Culman	368/171
1,350,035 A *	8/1920	Povelsen	368/171
2,116,257 A *	5/1938	Aegler	368/171
2,806,344 A *	9/1957	Schoenrock	368/175
2,958,997 A *	11/1960	Jahn	368/171
3,483,693 A *	12/1969	Smythe, Jr.	368/173
3,517,503 A *	6/1970	Kaulins et al.	368/175
6,520,674 B1 *	2/2003	Tokoro	368/127
6,666,575 B2 *	12/2003	Scheufele	368/127
7,237,945 B2 *	7/2007	Geyer	368/178
7,661,875 B2 *	2/2010	Verardo et al.	368/171
D650,301 S *	12/2011	Greubel et al.	D10/128
D650,717 S *	12/2011	Greubel et al.	D10/128
D700,535 S *	3/2014	Graf	D10/129
2007/0140065 A1 *	6/2007	Levingston	368/127
2011/0096636 A1 *	4/2011	Pellet	368/127
2011/0103196 A1 *	5/2011	Buhler et al.	368/169
2012/0087214 A1 *	4/2012	Damasko	368/169

* cited by examiner

Primary Examiner — Martie K Holtje

(74) *Attorney, Agent, or Firm* — Donald J. Ranft; Kristen A. Mogavero; Collen IP

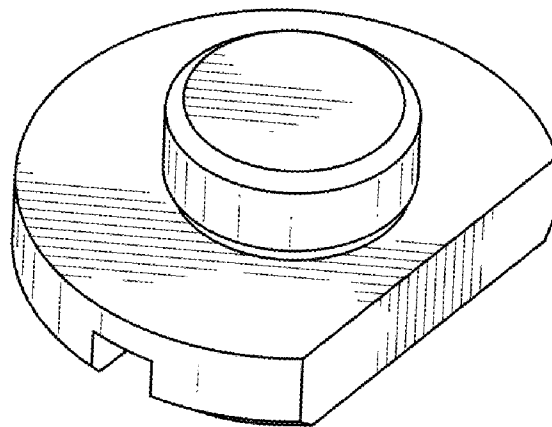
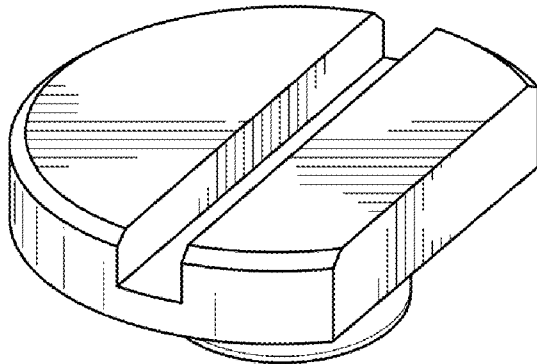
(57) **CLAIM**

The ornamental design for a watch control knob, as shown.

DESCRIPTION

FIG. 1 is a top left perspective view of a watch control knob showing my new design;
 FIG. 2 bottom right perspective view thereof;
 FIG. 3 is front view thereof;
 FIG. 4 is a rear view thereof;
 FIG. 5 is a left side view thereof;
 FIG. 6 is a right side view thereof;
 FIG. 7 is a top view thereof; and,
 FIG. 8 is a bottom view thereof.

1 Claim, 2 Drawing Sheets



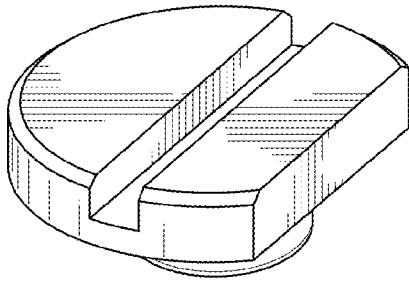


FIG. 1

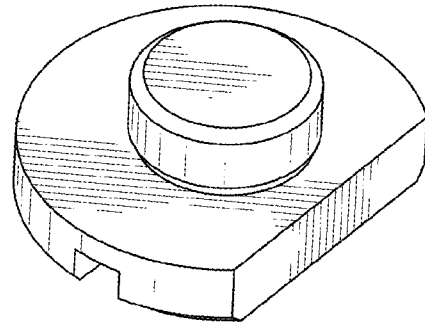


FIG. 2

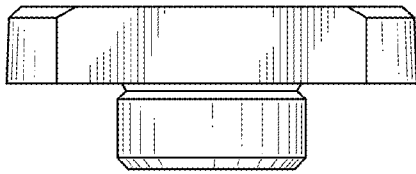


FIG. 3

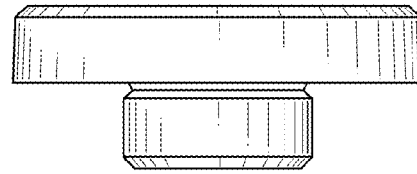


FIG. 4

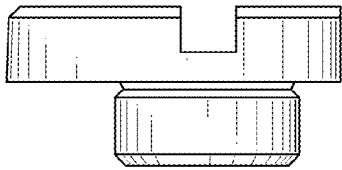


FIG. 5

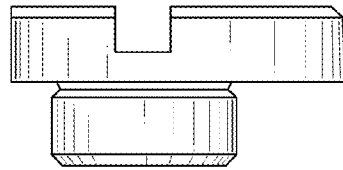


FIG. 6

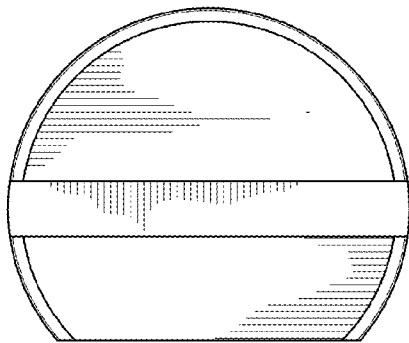


FIG. 7

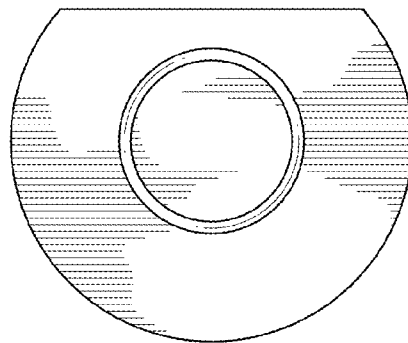


FIG. 8