



US00D337894S

United States Patent [19]

[11] Patent Number: Des. 337,894

Mariol

[45] Date of Patent: ** Aug. 3, 1993

- [54] CRADLE
- [75] Inventor: John V. Mariol, Cincinnati, Ohio
- [73] Assignee: James F. Mariol, Cincinnati, Ohio
- [**] Term: 14 Years
- [21] Appl. No.: 840,705
- [22] Filed: Feb. 24, 1992
- [52] U.S. Cl. D6/333; D6/385; D6/390
- [58] Field of Search D6/331, 333, 390-392, D6/385-387, 347; D12/129; 5/93.1, 93.2, 97, 98.1-98.3, 99.1, 101, 104, 120-122, 127, 130; 297/273-275, 277, 285

3,656,808	4/1972	Chang	297/445
4,081,869	4/1978	Ash	5/101 X
4,188,678	2/1980	Rawalle	5/655 X
5,187,826	2/1993	Mariol	5/101 X

FOREIGN PATENT DOCUMENTS

0028992 10/1980 European Pat. Off. .

OTHER PUBLICATIONS

IKEA—1991, p. 132, Baby Seat, center right.

Primary Examiner—Alan P. Douglas

Assistant Examiner—J. E. Seeger

Attorney, Agent, or Firm—Dressler, Goldsmith, Shore, Sutker & Milnamow, Ltd.

[56] **References Cited**
U.S. PATENT DOCUMENTS

D. 238,458	1/1976	Cavallero	D6/67
D. 247,232	2/1978	Gunnell	D12/54
D. 266,634	10/1982	Knoedler et al.	D6/1
D. 273,727	5/1984	Nakao et al.	D6/7
D. 282,791	3/1986	Lockett, III et al.	D6/333
D. 297,685	9/1988	Wilson	D6/333 X
2,848,040	8/1958	Chernivsky	D6/333 X
2,988,136	6/1961	Kowalczyk	155/49
3,017,220	1/1962	Chernivsky	297/390
3,110,519	11/1963	Chernivsky	297/285
3,235,306	2/1966	Chernivsky	297/296

[57] CLAIM

The ornamental design for a cradle, as shown and described.

DESCRIPTION

FIG. 1 is a perspective view of a cradle;
 FIG. 2 is a side elevational view thereof, one side being shown, the other side being a mirror image of the side shown;
 FIG. 3 is a front elevational view thereof;
 FIG. 4 is a back elevational view thereof;
 FIG. 5 is top plan view thereof; and,
 FIG. 6 is a bottom plan view thereof.

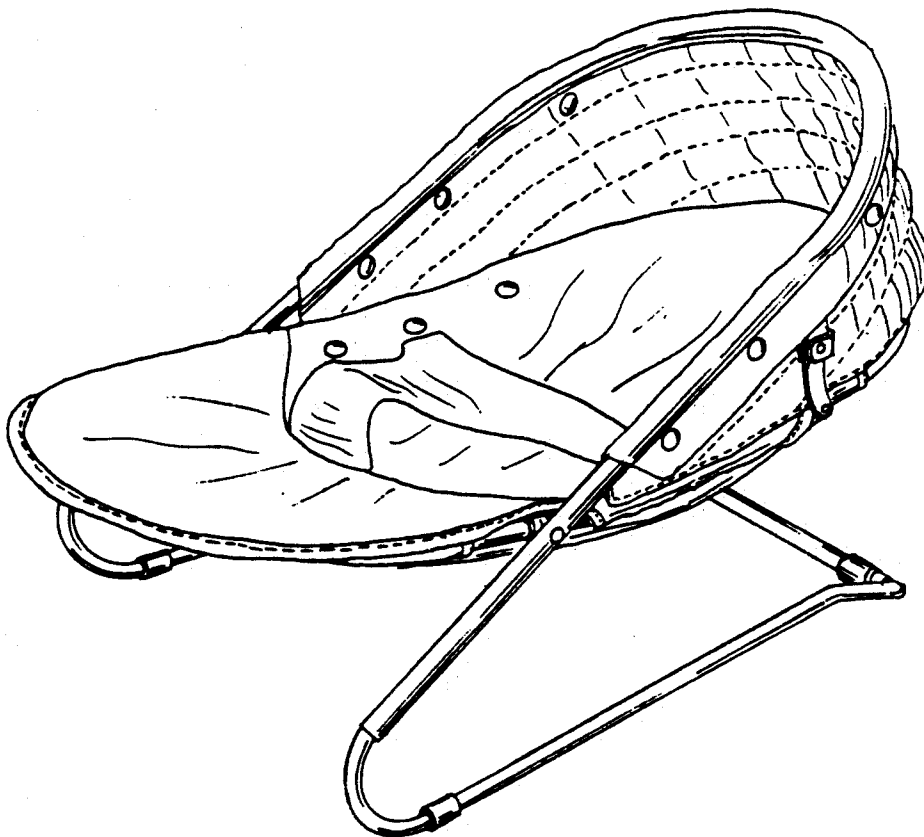


FIG. 1

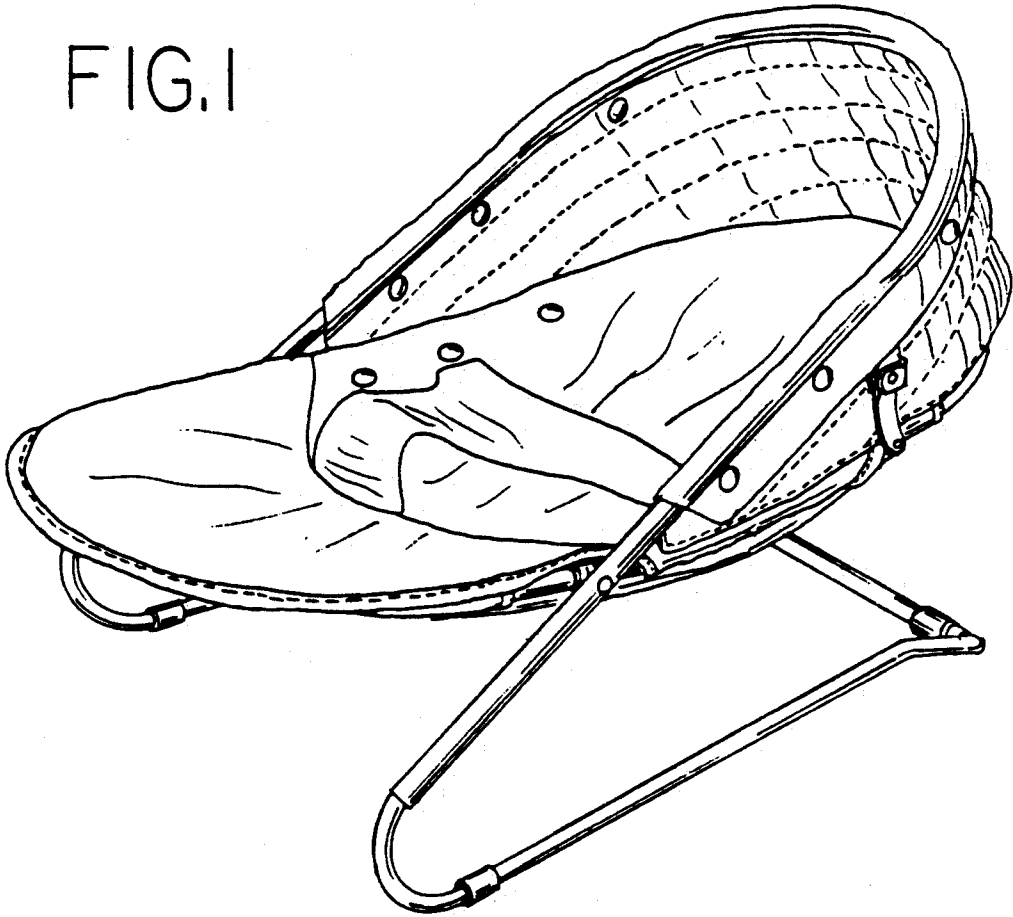


FIG. 2

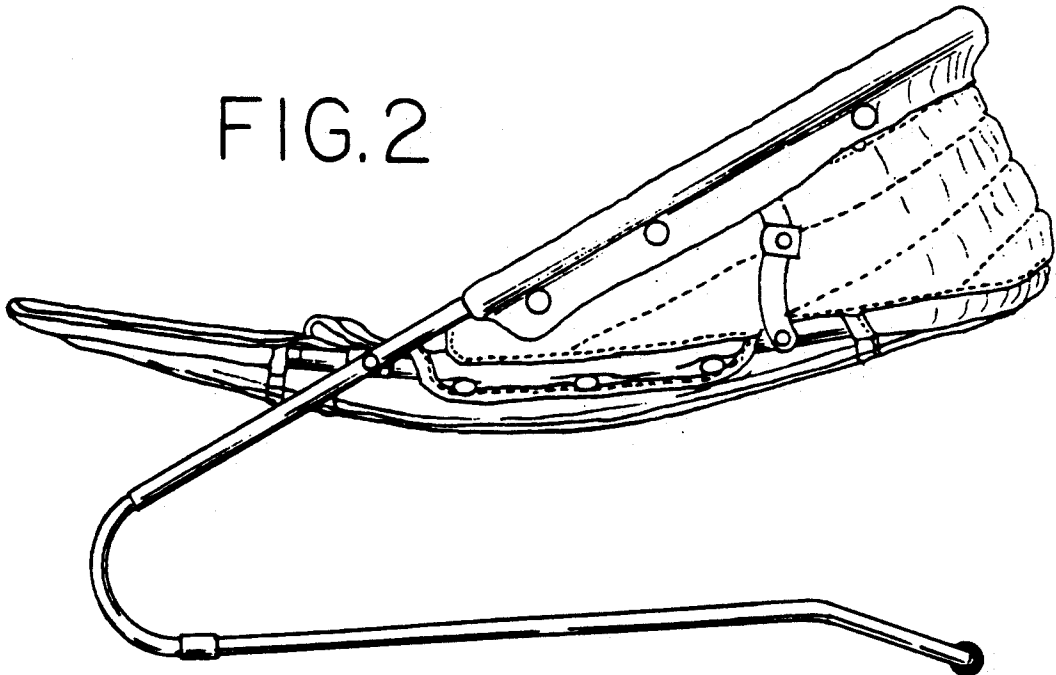


FIG. 3

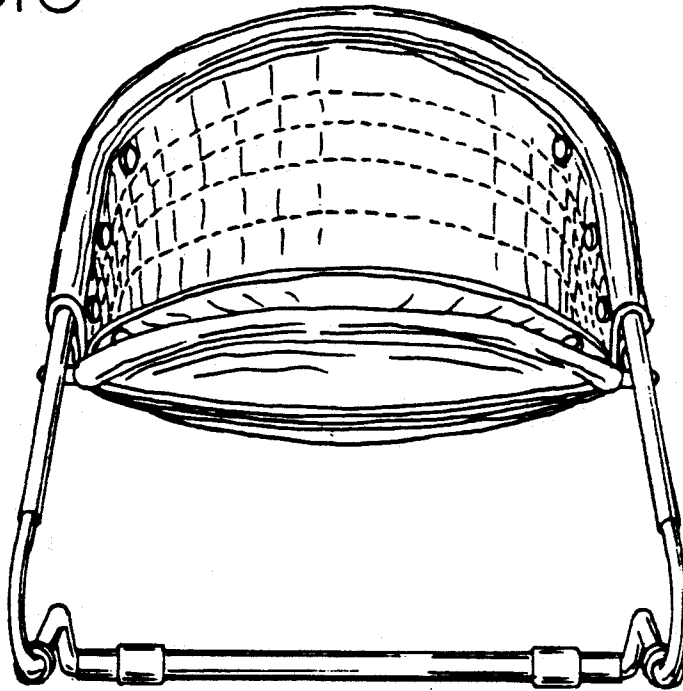


FIG. 4

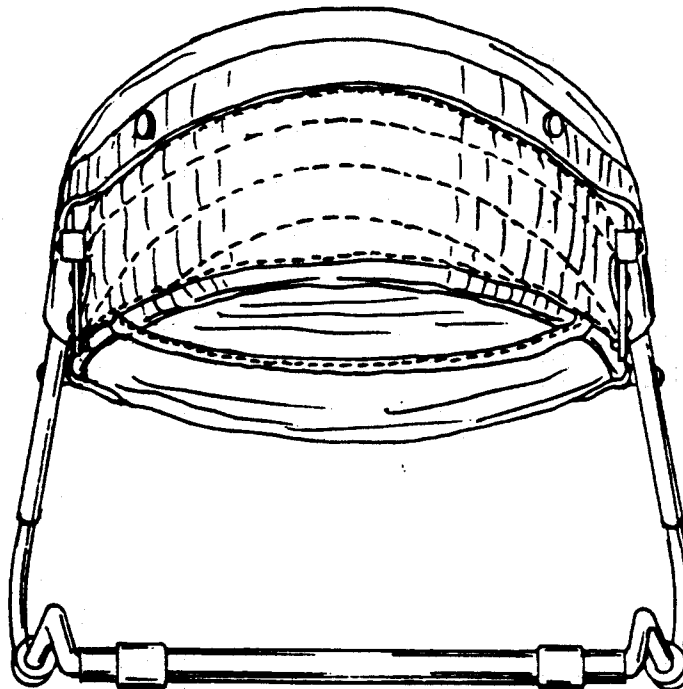


FIG. 5

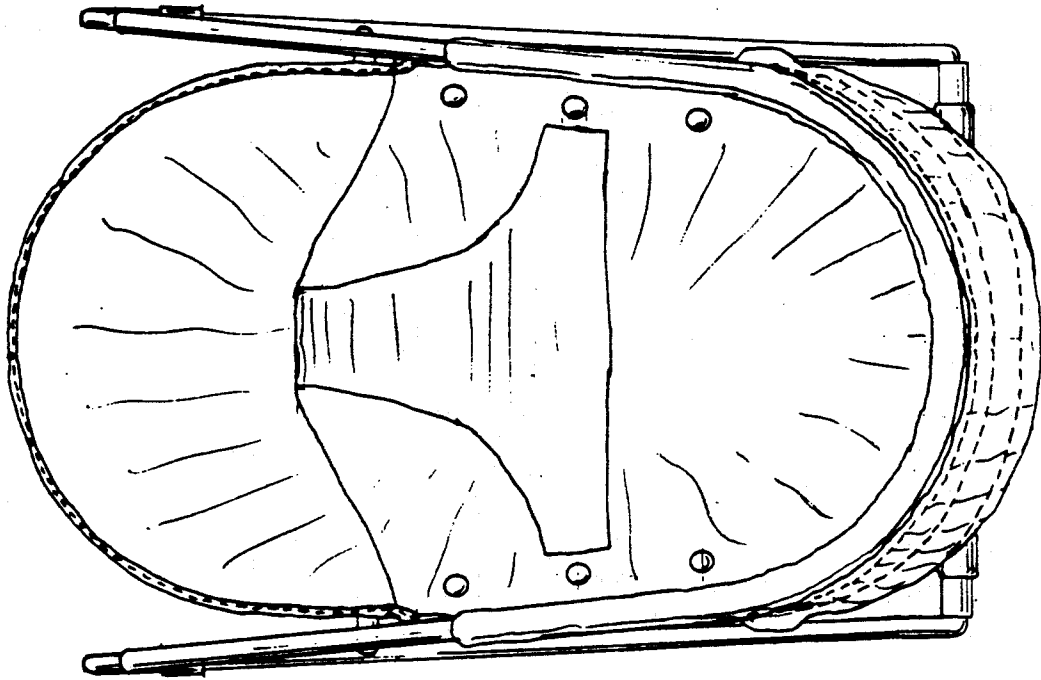


FIG. 6

