



US0D1025647S

(12) **United States Design Patent**
Thurswell

(10) **Patent No.:** **US D1,025,647 S**

(45) **Date of Patent:** **** May 7, 2024**

(54) **SHOWER CADDY**

(71) Applicant: **Wouldn't It Be Nice LLC**, Plymouth, MI (US)

(72) Inventor: **Cassandra Thurswell**, Los Angeles, CA (US)

(73) Assignee: **Wouldn't It Be Nice LLC**, Plymouth, MI (US)

(**) Term: **15 Years**

(21) Appl. No.: **29/892,632**

(22) Filed: **May 19, 2023**

(51) **LOC (14) Cl.** **23-02**

(52) **U.S. Cl.**
USPC **D6/525**

(58) **Field of Classification Search**
USPC D6/524-525, 566, 536, 540, 567, 570;
211/13.1, 74, 71.01, 86.01, 75, 88.01,
211/90.01, 90.03, 106, 119, 126.1, 133.5,
211/181.1, 134

CPC A47K 3/281; A47K 3/28; A47B 45/00;
A47B 96/025; A47F 5/0093

See application file for complete search history.

(56) **References Cited**

U.S. PATENT DOCUMENTS

2,448,319	A *	8/1948	Maranville	A47J 47/14
					211/181.1
3,391,891	A *	7/1968	Garden	B60N 3/102
					211/75
D242,314	S *	11/1976	Arnett	D6/566
D242,315	S *	11/1976	Arnett	D6/566
D274,201	S *	6/1984	Aaron	D6/525
D316,345	S *	4/1991	Mo Yau Kee	D6/676.2
D327,795	S *	7/1992	Kee	D6/676.2
D369,483	S *	5/1996	Kandel	D6/675.2

D387,595	S *	12/1997	Whang	D6/525
D470,703	S *	2/2003	Hoernig	D6/570
D472,747	S *	4/2003	Walker	D6/525
D485,104	S	1/2004	Suero, Jr.		
D485,462	S	1/2004	Suero, Jr.		
D493,660	S *	8/2004	Goodman	D6/630
D512,861	S *	12/2005	Rosen	A47K 3/281
					D6/525
D552,391	S *	10/2007	Rosen	A47K 3/281
					D6/525
D572,940	S *	7/2008	Murray	D6/678.4
D595,076	S	6/2009	Snider		

(Continued)

OTHER PUBLICATIONS

Amazon.com, Kitsch Bar Soap Holder for Shower Wall, Jul. 10, 2023, <https://www.amazon.com/Kitsch-Draining-Shelves-Suction-Bathroom/dp/B09S26V4LD/> (Year: 2023).*

(Continued)

Primary Examiner — Nathan M Johnston
(74) *Attorney, Agent, or Firm* — Brooks Kushman P.C.

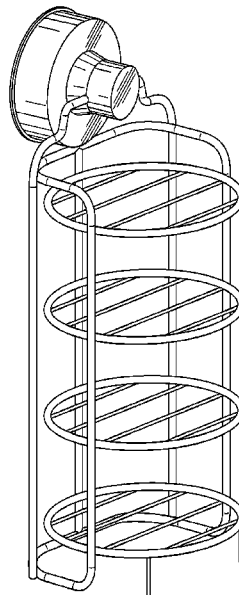
(57) **CLAIM**

The ornamental design for a shower caddy, as shown and described.

DESCRIPTION

FIG. 1 is a perspective view of a shower caddy; FIG. 2 is a front view of the shower caddy of FIG. 1; FIG. 3 is a rear view of the shower caddy of FIG. 1; FIG. 4 is a right side view of the shower caddy of FIG. 1; FIG. 5 is a left side view of the shower caddy of FIG. 1; FIG. 6 is a top view of the shower caddy of FIG. 1; and, FIG. 7 is a bottom view of the shower caddy of FIG. 1. Any broken lines are for the purpose of illustrating portions of the shower caddy that form no part of the claimed design.

1 Claim, 6 Drawing Sheets



(56)

References Cited

U.S. PATENT DOCUMENTS

D603,198 S * 11/2009 Guindi A47K 3/281
D6/525
D628,000 S 11/2010 Lindo
D632,513 S * 2/2011 Cittadino A47K 3/281
D6/525
D632,515 S 2/2011 Cittadino et al.
D641,193 S 7/2011 Vaccaro
D641,194 S 7/2011 Vaccaro
D650,203 S * 12/2011 Klein D6/677.1
D662,739 S 7/2012 Gilbert
D670,520 S 11/2012 Gilbert
D676,696 S 2/2013 Primeau
D677,956 S 3/2013 Tawil
D688,064 S 8/2013 Couture
D698,580 S 2/2014 Tawil
D718,071 S 11/2014 Snider
D723,834 S * 3/2015 Tawil D6/525
D728,260 S * 5/2015 Snider D6/525
D818,291 S * 5/2018 Aguilera D6/676.2
D818,292 S * 5/2018 Yoshioka D6/678.1
D931,664 S * 9/2021 Gong D6/676.1
D1,006,506 S * 12/2023 Zhan D6/675.1
2014/0124598 A1 * 5/2014 Vaccaro A47K 3/281
239/289
2017/0055780 A1 * 3/2017 Jepson A47K 3/281

OTHER PUBLICATIONS

Amazon.com, Trycooling Soap Dish Soap Bar Holder, Jun. 10, 2023, <https://www.amazon.com/Trycooling-Soap-Stainless-Suction-Bathroom/dp/B0CJ27XLWC/> (Year: 2023).
*
<https://www.walmart.com/ip/Better-Homes-Gardens-Rust-Resistant-Tension-Pole-Shower-Caddy-3-Shelves-Oil-Rubbed-Bronze-Finish/978332766?athbdg=L1600>, 6 pages, printed on Apr. 7, 2023.
<https://www.facebook.com/joyfilldenver/photos/a.126799178175970/796970331158848/?type=3>, 1 page, printed on Apr. 12, 2023.
https://www.mykitsch.com/products/kitsch-self-draining-shower-caddy?gclid=EAlaIQobChMI3ueZrIGY_glVgOjBx3vAweoEAsYByABEgJotPD_BwE&nb_adtype=pla&nb_ap=&nb_fii=&nb_kwd=&nb_li_ms=&nb_lp_ms=&nb_mi=9617523&nb_mt=&nb_pc=online&nb_pi=shopify_US_6881075462325_40634533085365&nb_placement=&nb_ppi=&nb_si=%7Bsourceid%7D&nb_ti=&nb_t=nb%3Aadwords%3Ax%3A17789106159%3A%3A&variant=40634533085365, 15 pages, printed on Apr. 7, 2023.
https://www.amazon.com/SEIRIONE-Rustproof-Organizer-Freestanding-Accessories/dp/B08346G71S/ref=asc_df_B08346G71S/?tag=hyprod-20&linkCode=df0&hvadid=459504141087&hvpos=&hvnetw=g&hvrnd=1955300273795182262&hvpon=&hvptwo=&hvqmt=&hvdev=c&hvdvcmdl=&hvllocint=&hvllocphy=9016892&hvtargid=pla-943327649190&pssc=1, 11 pages, printed on Apr. 7, 2023.

* cited by examiner

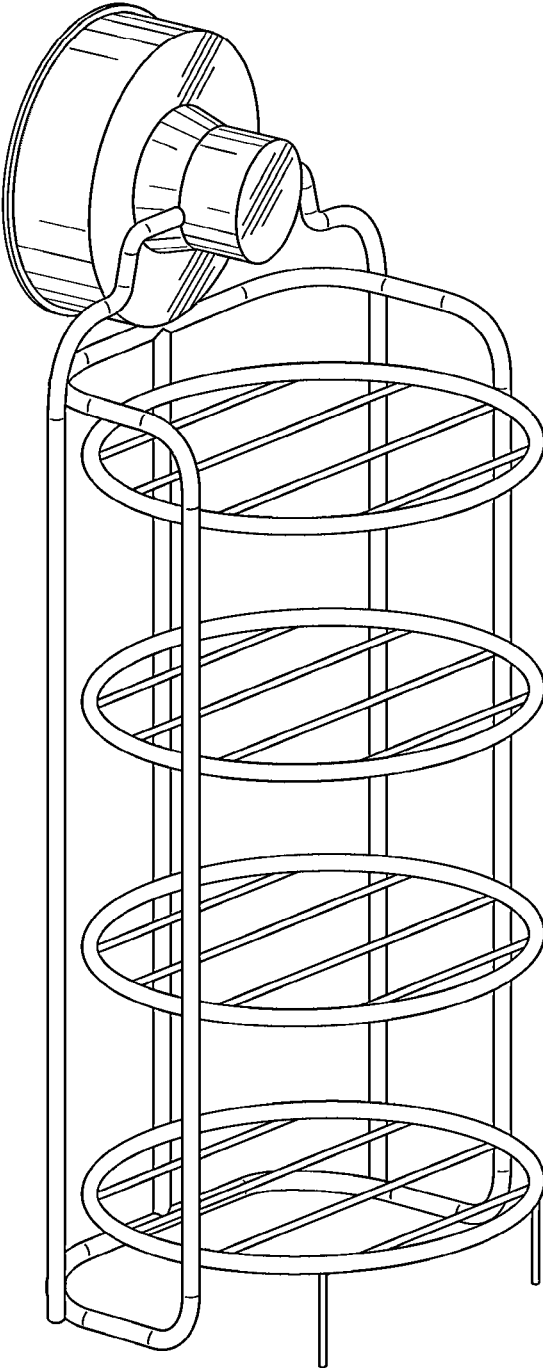


FIG. 1

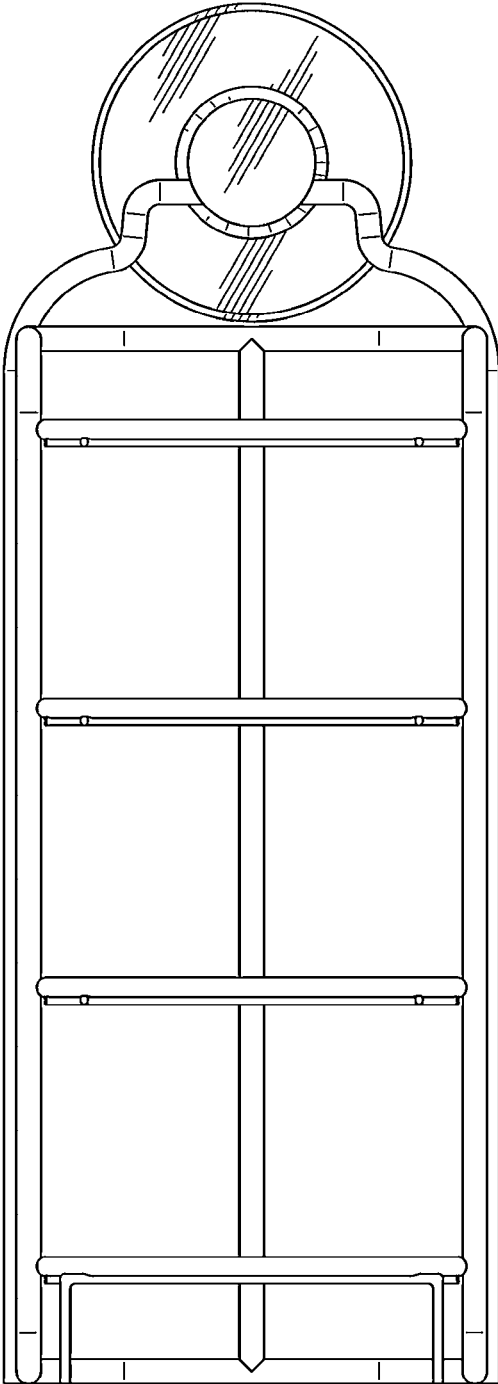


FIG. 2

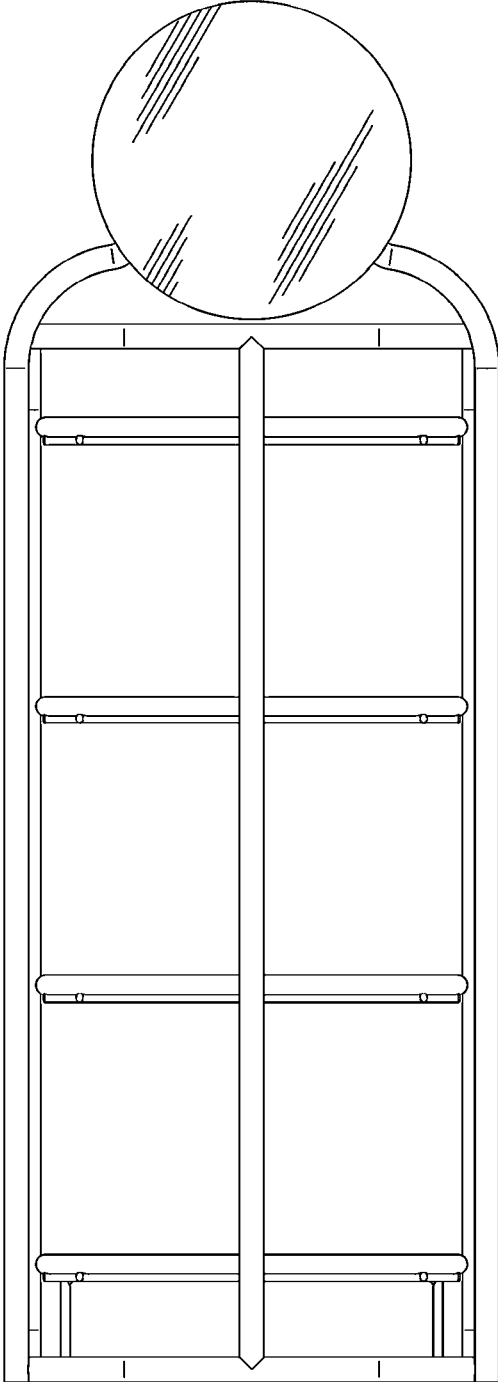


FIG. 3

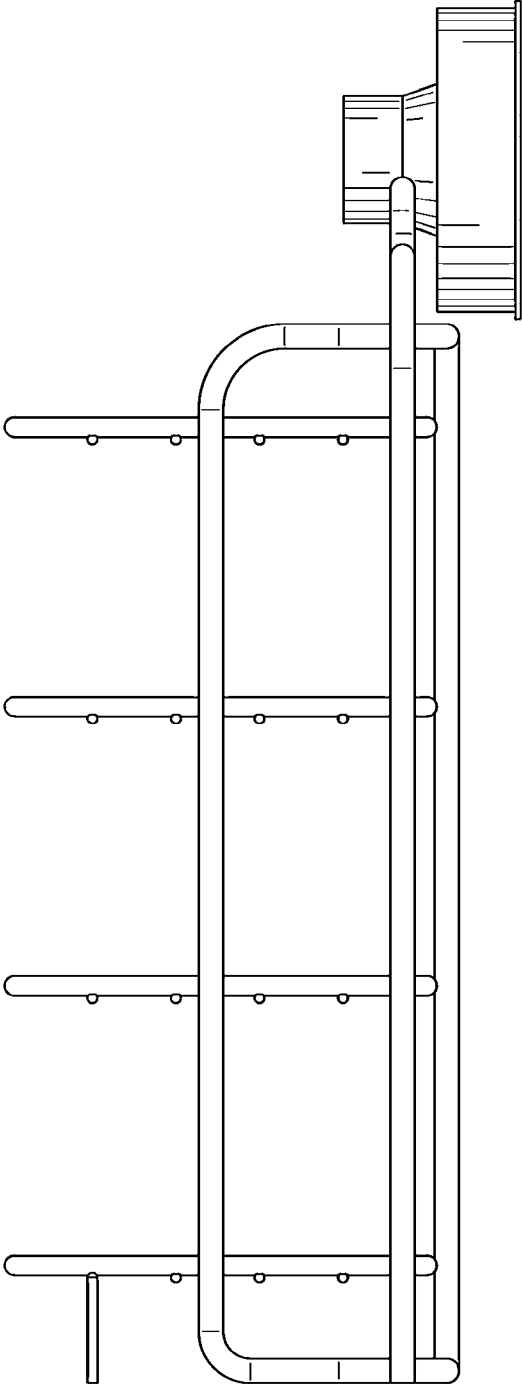


FIG. 4

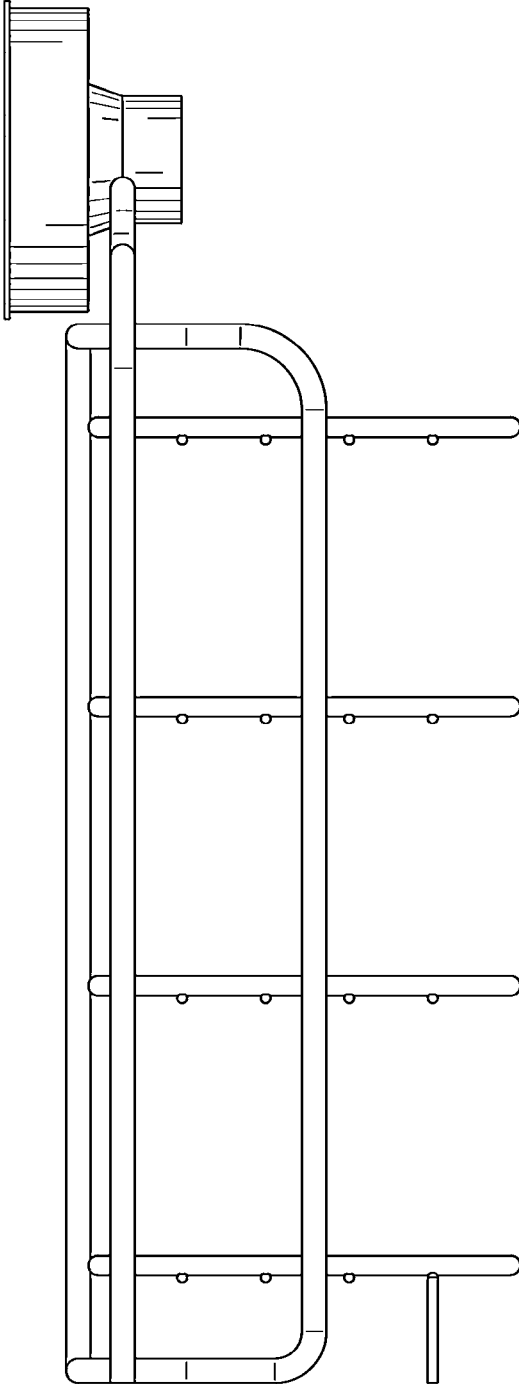


FIG. 5

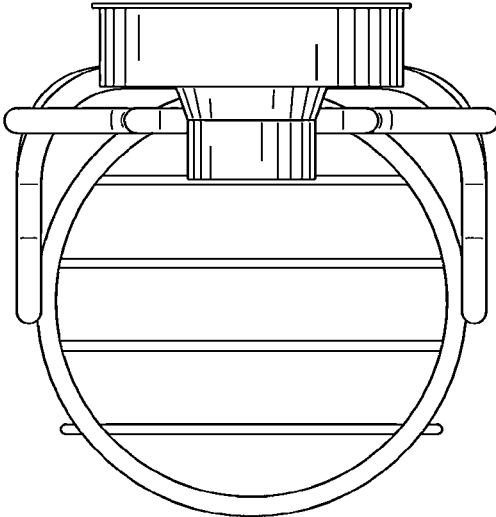


FIG. 6

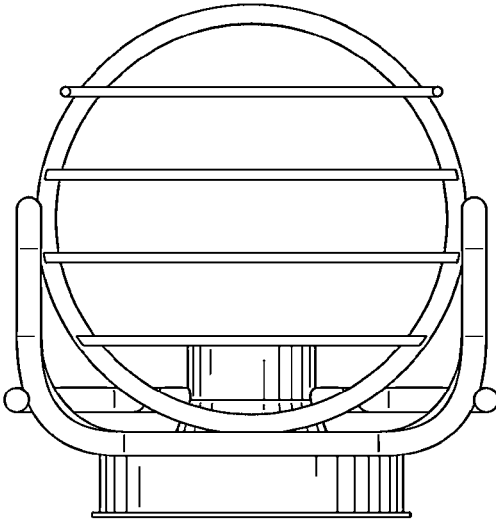


FIG. 7