



Adapter Washer Instructions

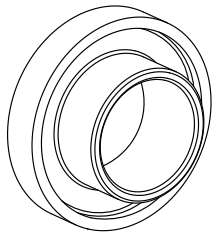
Hi there. Thanks for spending your hard-earned cash on this Surly product. Surly stuff is designed to be useful and durable. We're confident it will serve you well for years to come.

Our Adapter Washers will allow you to adapt any 135, 170 or 190mm O.L.D. QR or 10mm solid axle hub for use with a 142, 177 or 197mm spaced thru-axle frame.

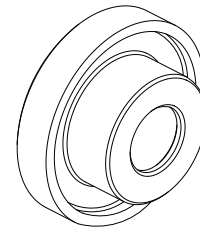
This document outlines how to properly set up your new adapter washers on your bicycle. If you do not feel comfortable with the installation, please take your bike and pile of parts to your local bike shop so they can get you set up right. If you do not have the proper tools and/or experience to install this part, you could hurt your bike and yourself. Be smart. Do the right thing.

⚠WARNING: Cycling can be dangerous. Bicycle products should be installed and serviced by a professional mechanic. Never modify your bicycle or accessories. Read and follow all product instructions and warnings including information on the manufacturer's website. Inspect your bicycle before every ride. Always wear a helmet.

Additional Product and Safety Information can be found at the website: surlybikes.com/safety



10mm Solid Axle Washer



6mm or QR Washer

Adapter Washer Compatibility and Intended Use

The Surly Adapter Washer is compatible with any 10mm solid axle or QR hub with an O.L.D. of 135, 170 or 190mm. The Adapter Washers will fit into any bicycle frame with an open dropout design that are slotted for use with 12mm thru-axles.

⚠WARNING: Not for use with closed dropout design. Only intended for use with Surly frames.

Tools Required

The Adapter Washers fit on the ends of your axle. The only tools required for installation are those tools needed to install your particular hub into your bicycle frame. Check with hub manufacturer.

Installation of the Adapter Washers for QR Hubs

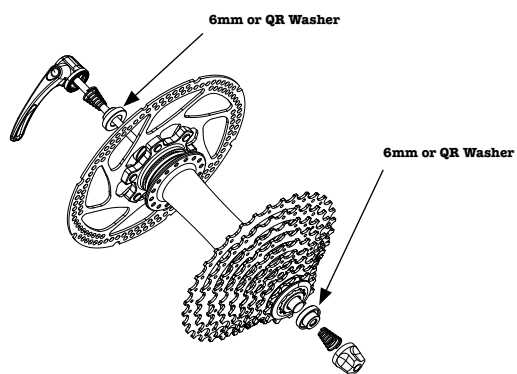


Figure 1

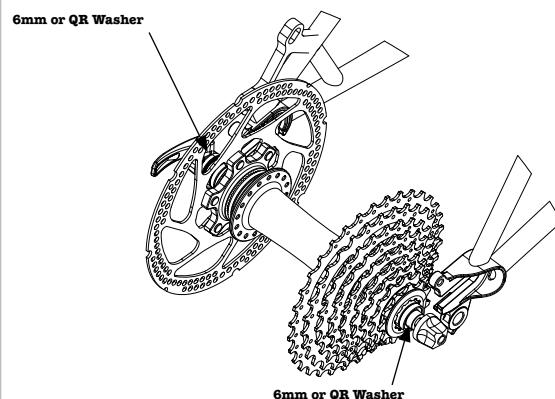
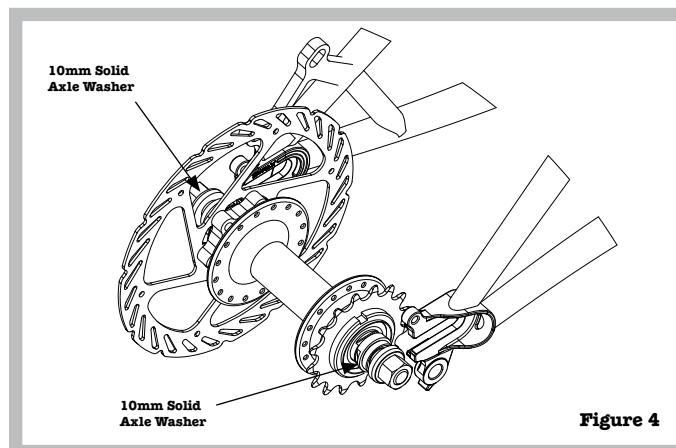
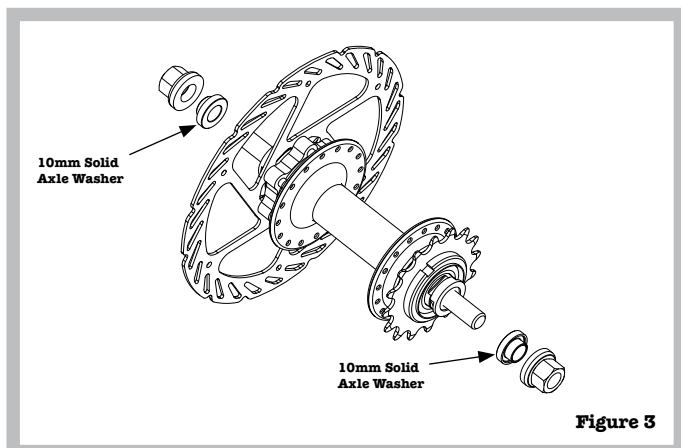


Figure 2

1. With your wheel removed from your frame, check to make sure you axle is clean and free of any debris.
2. Press 6mm Adapter Washers onto each end of your hub axle (Figure 1).
3. Reinstall your wheel per hub manufacturer's instructions (Figure 2).

Installation of the Adapter Washers for 10mm Solid Axle Bolt-on Hubs



1. With your wheel removed from your frame, check to make sure your axle is clean and free of any debris.
2. Press 10mm Adapter Washers onto each end of your hub axle (Figure 3).
3. Reinstall your wheel per hub manufacturer's instructions (Figure 4).

Ongoing Maintenance

Periodically check to make sure the QR or bolt-on axle are properly torqued, wheel is properly secured and the adapter washers do not show excessive wear or damage.

Limited Warranty

This Surly product is warranted against defects in materials and workmanship for one year from the date of retail purchase of the product, subject to the limitations detailed below. Save your dated receipt for proof of purchase.

This warranty does NOT cover the following:

- Damage due to improper assembly or follow-up maintenance or lack of skill, competence or experience of the user or assembler
- Products that have been modified, neglected, used in competition or for commercial purposes, misused or abused, involved in accidents or anything other than normal use
- Installation of components, parts or accessories not originally intended for or compatible with Surly product as sold
- Damage or deterioration to the paint, surface finish, aesthetics or appearance of the product
- Normal wear and tear
- Labor required to remove and/or refit and re-adjust the product within the bicycle assembly

This limited warranty is expressly limited to the repair or replacement of a defective product, at the option of Surly, and is the sole remedy of the warranty. This limited warranty applies only to the original purchaser of the Surly product and is not transferable. This warranty applies only to products purchased through an authorized dealer or distributor. In no event shall Surly be liable for any loss, inconvenience or damage, whether direct, incidental, consequential, or otherwise resulting from breach of any express or implied warranty or condition, of merchantability, fitness for a particular purpose, or otherwise with respect to our products except as set forth herein.

This limited warranty gives the consumer specific legal rights, and those rights and other rights may vary from place to place. This limited warranty does not affect your statutory rights.

TO THE EXTENT NOT PROHIBITED BY LAW, THESE WARRANTIES ARE EXCLUSIVE AND THERE ARE NO OTHER EXPRESS OR IMPLIED WARRANTIES OR CONDITIONS INCLUDING WARRANTIES OR CONDITIONS OF MERCHANTABILITY AND FITNESS FOR A PARTICULAR PURPOSE.

OTHER PRODUCTS:

Give us a call for a free catalog or visit our website to check out all our stuff—you won't be disappointed.

Surly

6400 West 105th Street
Bloomington, MN 55438

The Watts Line: 877.743.3191

The Email: derby@surlybikes.com

The Web Address: surlybikes.com