

LUMENEM™ INV

Another Lumenrail® System
for Life Safety and Light

LUMENGEAR™ EMERGENCY INVERTER BACK-UP

This Lumenrail® system matched, listed component assembly pairs our standard driver with a mating emergency controller/inverter component to achieve egress code compliance. The lumen's 90-minute run-time under emergency operation and integrated illuminated test switch meet or exceed NFPA 101 7.9.1, 7.9.2 and 7.9.3.

- **Fully wired listed system for use with any Lumenrail system fixtures**
- Locking, painted steel NEMA 4X enclosure
- 100W, 120-277V, 24VDC driver
- Matched controller/inverter unit
- Integrated LED indicator/test switch



PROJECT NAME: _____

REP AGENCY: _____

APPROX. LINEAR FT: _____

SERVICE OPTIONS: Field Measure Job Site Support System Installation

SYSTEM SPECIFICATIONS

LUSYSEM INV

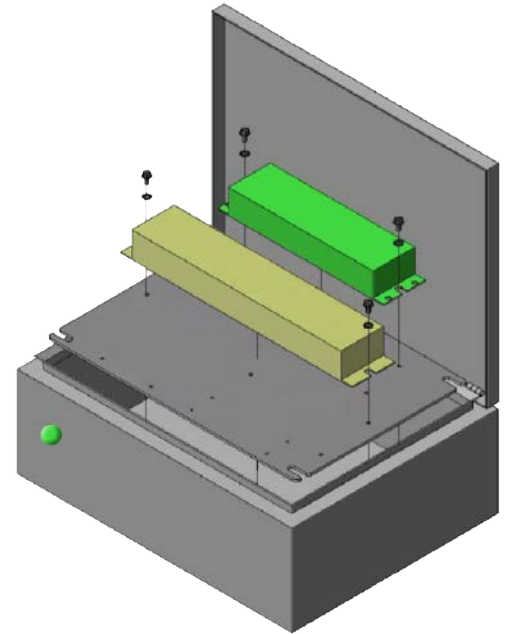
COMPLETE EM
SYSTEM



Intertek

All electrical connections
to be made by a qualified
electrician in accordance
with all national, state and
local electrical codes.

- **ENCLOSURE** (LUENCLOSURE4XBUD15) - NEMA 4X, IP65, powder-coated, locking (2 keys), gasketed, welded steel enclosure 15.75" X 11.81" X 5.91"
- **DRIVER** (LUDRIVERDM100WACE) - Driver, 100W 24VDC Output, 120V-277 Input, 1-10V PWM Dimming
- **INVERTER** (LUEMCNTINVSI36ASR) - Auto-test sine wave output inverter, automatically supplies up to 30W 120-277VAC of emergency power to the driver, UL Listed to UL924
- **LED INDICATOR / TEST SWITCH** - (Integrated harness assembly)
- **PERFORMANCE** - Capability to achieve code compliant lumen output for a minimum of 90 minutes, with up to 40' of our Lumenlinear™ fixtures and up to 32 Lumenpod® fixtures @ 30%
- Run lengths are dependent on fixture wattage specifications



OPTIONAL EQUIPMENT

FUSING

- **LUFUSEKIT2**
Lumenrail Dual Fuse Kit, Bussmann Fuse Holders, Mounting Bracket, 6A Fast-Acting Fuses for 100W/24VDC Driver and EM Controller/Battery Unit

SURGE PROTECTION

- **LUSURGIT**
Lumenrail Surge Protector Kit, TRP SSP3-277 20kASurge Protector 120-277V and Mounting Bracket

The Lumenrail® Architectural Systems LumenEM enclosure is approved to hold:

- One standard 100W driver and one INV controller / battery unit **and**
- One Dali or DMX dimming controller **and**
- One Dual Fuse Kit per enclosure **or**
- One Surge Protection Kit per enclosure

Note: Not all component combinations are universally compatible. Please verify your specification prior to ordering.

All of the LumenEM™ systems are UL8750 listed and can be used in these combinations with any Wagner Architectural Systems Lumenrail® fixtures. Not all options apply to all products-please verify compatibility with the factory. All LumenEM™ Emergency Inverter Back-Up systems come fully assembled from the factory and are made-to-order per specification.

@wagnercompanies

EMERGENCY EGRESS LIGHTING

In buildings where artificial lighting is provided for normal use and occupancy, exit lighting and the illumination of the means of egress are required to ensure occupants can quickly evacuate the building.

Emergency lighting (1-foot candle average; 0.01-foot candle minimum) must be provided for a period of 1.5 hours in the event of failure of normal lighting. The emergency lighting system must be arranged to provide the required illumination automatically in the event of any interruption (10 seconds) of normal lighting, such as any failure of public utility or other outside electrical power supply or opening of a circuit breaker or fuse. Either the emergency lighting system must be continuously in operation or capable of repeated automatic operation without manual intervention. All emergency lighting must be installed and tested in accordance with NFPA 111 (Full 1.5-hour test annually and 30-second test every 30 days.)

NFPA 101 7.9.1 General

Emergency lighting is required for all means of egress, including both the exits and the pathways leading to them. This includes stairs designated for emergency exit as well as the aisles, corridors, ramps, escalators and other passageways that lead to an exit. This requirement also extends to exit discharge points, which include stairs, ramps, aisles, walkways, and escalators leading to an area open to the public. 7.9.1 GENERAL

NFPA 101 7.9.2 Performance of System

This section specifies the requirements for how bright emergency lighting must be and how long it must be provided in the event of failure of normal lighting. In the first 1.5 hours after a failure, emergency lighting must provide an average of one foot-candle and no less than 0.1 foot candle at any point along the path of egress.

After 1.5 hours, the illumination level may decline. However, because the Code requires a maximum-to-minimum illumination ratio of no more than 40 to 1, the illumination may only decline to an average 0.06 foot-candle, no less. The Code requires that emergency lighting be provided automatically in the event of a power failure resulting from power outages, blown fuses or circuit breakers, or manual acts that result in an interruption in normal lighting. Given this requirement, emergency power supply systems (EPSS)-the systems that power your emergency lighting system-are also addressed in this section, mostly by reference to other NFPA codes. Citing NFPA 110, it states that new EPSS must be Type 10, Class 1.5, Level 1 and refers to NFPA 110 and 111 for the installation, and maintenance of EPSS-emergency generators and their related transfer switches and stored electrical energy systems, respectively.

NFPA 101 7.9.3 Periodic Testing of Emergency Lighting Equipment

The Code provides three options for periodic testing of your emergency lighting equipment and another option pertaining to testing of your EPSS. The option you choose for testing your emergency lighting system will depend on the type of system you have-whether it is or is not a battery-operated, self-testing and self-diagnostic system and if it is, whether or not is computer controlled.

Regardless of the type of system you have, it must be tested for a duration of 30 seconds, generally, once every 30 days and annually for a duration of 1.5 hours. Additionally, all emergency lighting must be fully operational throughout the duration of all tests conducted.

Testing for battery-operated, self-testing and/or self-diagnostic systems should include a diagnostic routine. For systems that are not controlled by computer, you must perform visual inspections once every 30 days, and your system must be equipped with a status indicator to alert you to any failure.