

Madison, Wisconsin

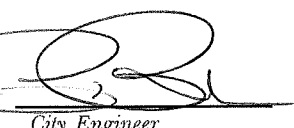
CITY OF MADISON

CITY ENGINEERING DIVISION

DEPARTMENT OF PUBLIC WORKS

PLAN OF PROPOSED IMPROVEMENT

PUBLIC IMPROVEMENT PROJECT
APPROVED
APRIL 30, 2019
BY THE COMMON COUNCIL
OF MADISON, WISCONSIN

PUBLIC IMPROVEMENT DESIGN
APPROVED BY:

City Engineer
11/4/19
Date

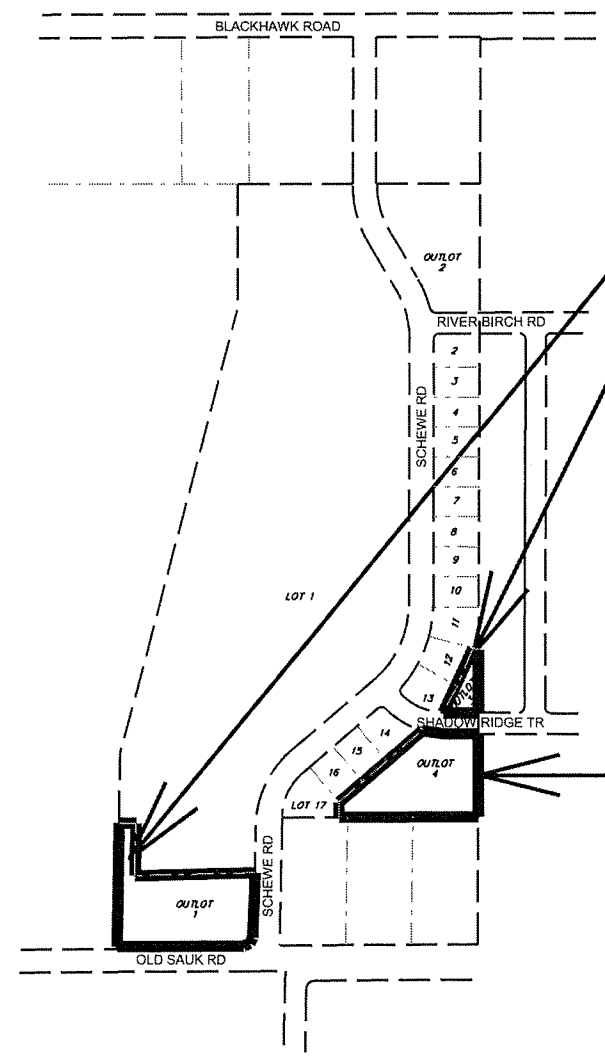
INDEX OF SHEETS
SHEET NO. C26-C28 POND DETAIL PLANS

POPE FARM ESTATES STORMWATER MANAGEMENT

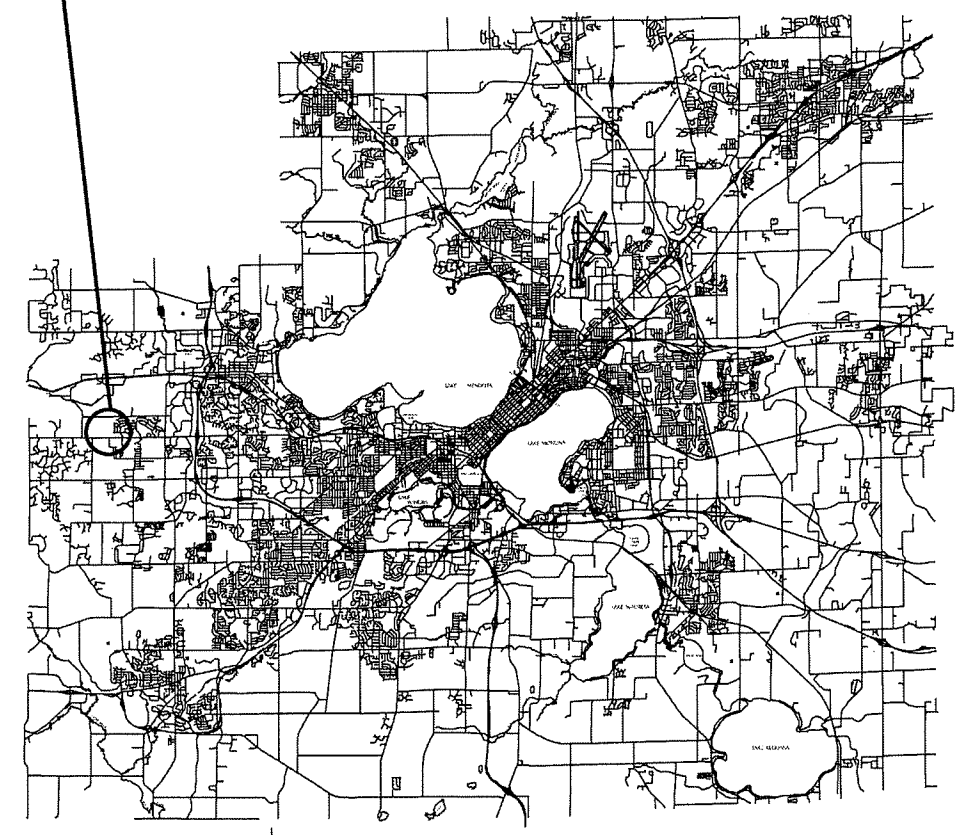
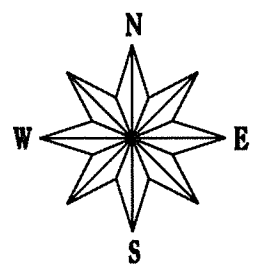
CITY PROJECT NO. 12303
CITY CONTRACT NO. 8399

POND
DESIGNED BY:

**SEE
INDIVIDUAL
SHEETS**



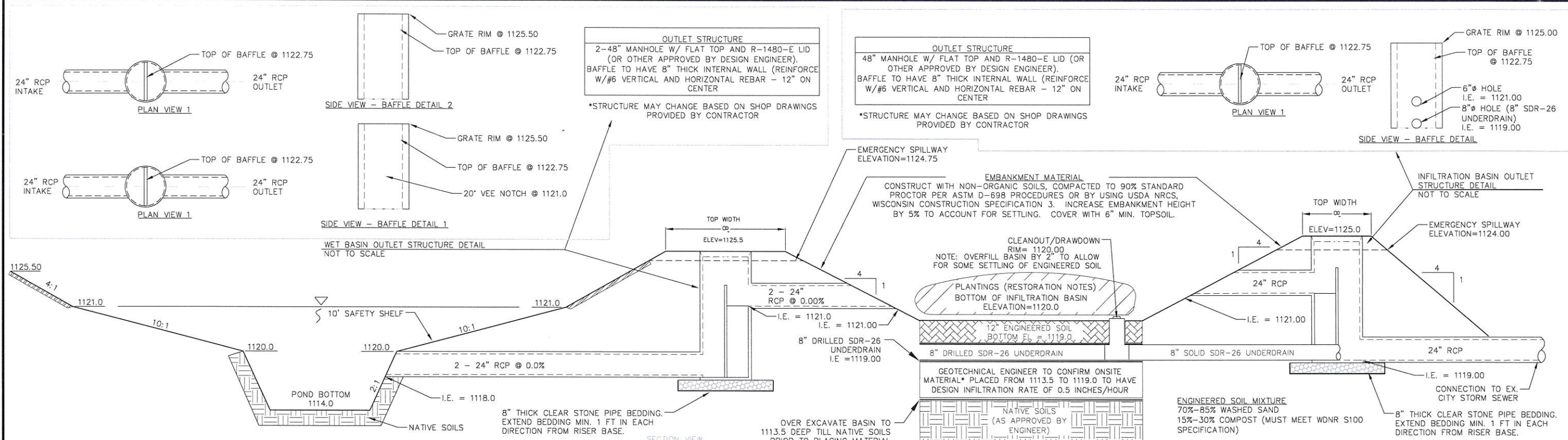
PROJECT LOCATION



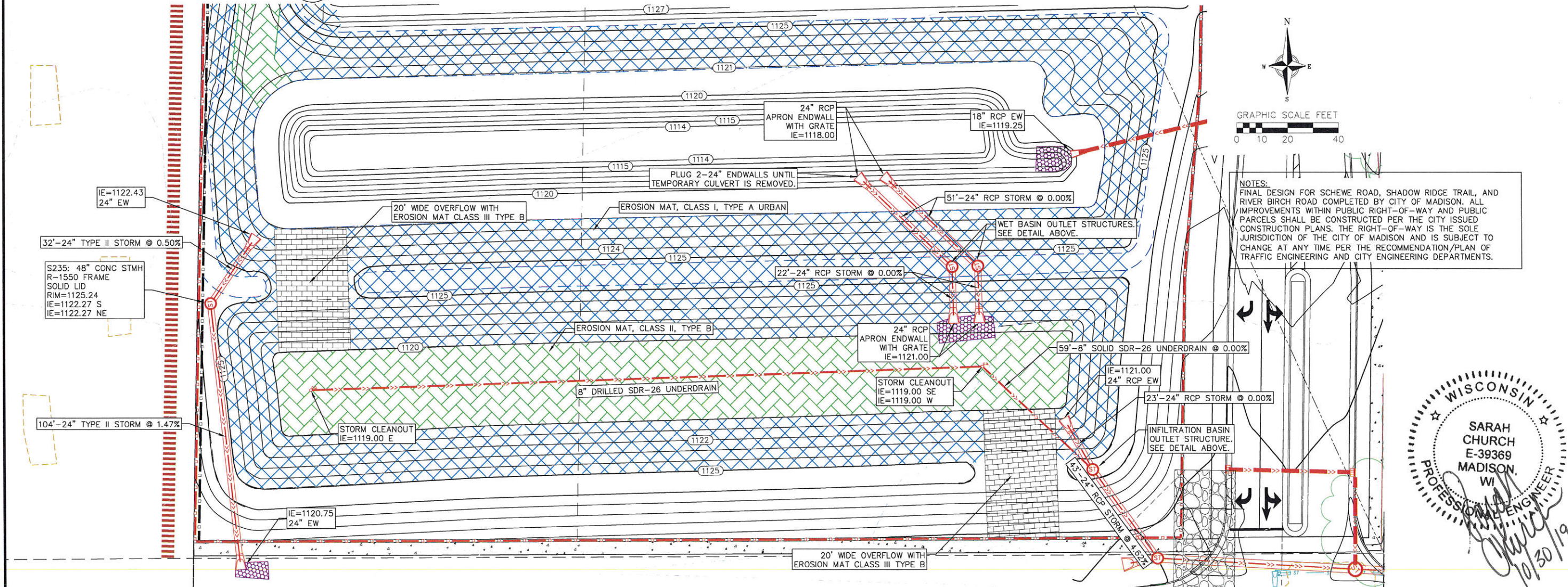
PLOT SCALE: _____
PLOT NAME: _____
REV. DATE: _____
ORIGINATOR: CITY OF MADISON, STREETS DIVISION

©2018 Vierbicher Associates, Inc.

30 Oct 2019 - 12:51p M:\EUA\180222_MCPASD Elementary School - Pope Farm 2018\CADD\180222 - Grading and EC.dwg by: bbar



1 WET POND/INFILTRATION FACILITY CROSS-SECTION NOT TO SCALE



NO.	DATE	REVISIONS	REMARKS

SCALE AS SHOWN

DATE 10/30/19

DRAFTER BBAR/JGOL

CHECKED MSCH/TSCH

PROJECT NO. 180222

C 26

©2018 Vierbicher Associates, Inc.

FILTRATION AREA CONSTRUCTION AND RESTORATION SPECIFICATIONS:
 NOTE: AFTER INFILTRATION AREA IS CONSTRUCTED THE AREA SHALL BE FENCED OFF TO PREVENT SEDIMENT FROM ENTERING FACILITY AND TO PREVENT HEAVY EQUIPMENT ACCESS DURING DEVELOPMENT.

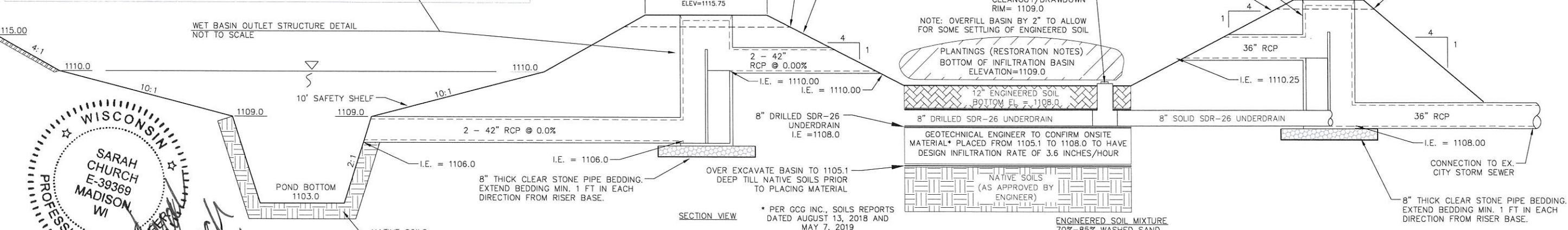
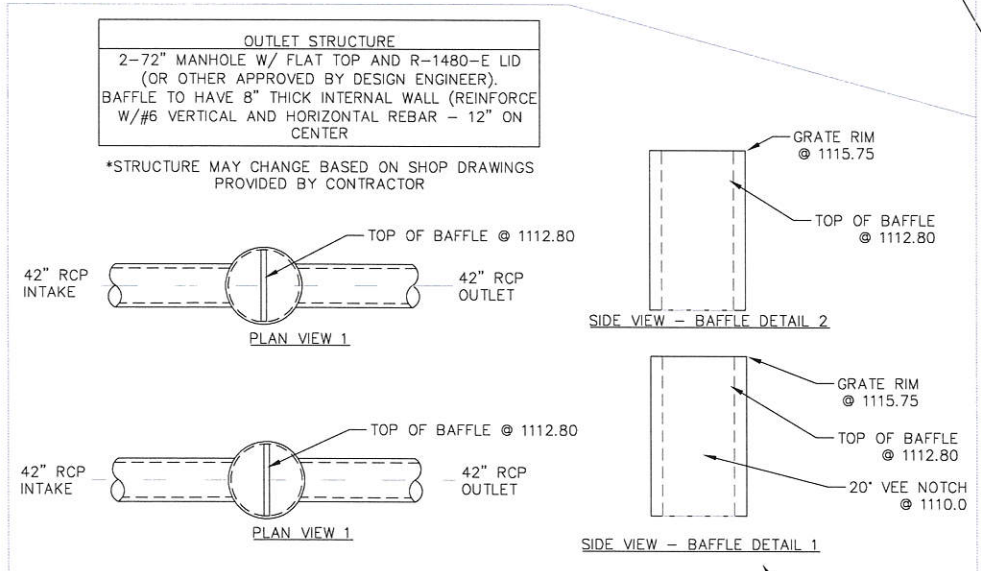
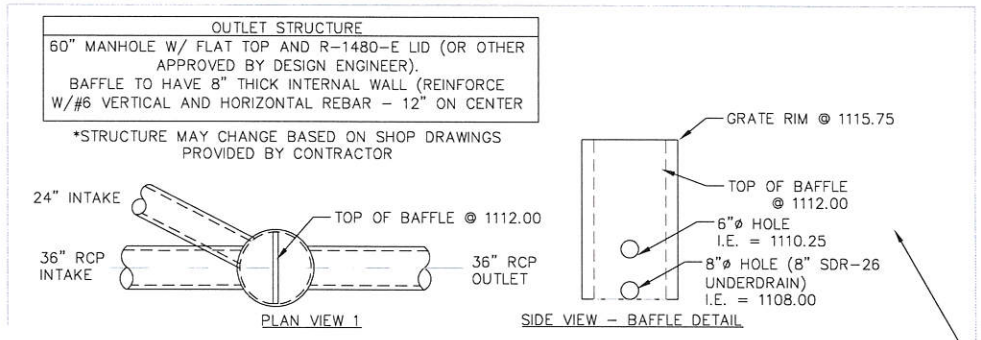
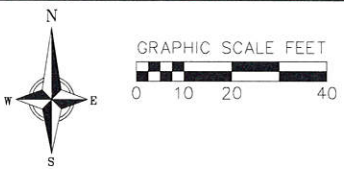
TRACKED VEHICLES SHOULD BE USED DURING CONSTRUCTION TO LESSEN COMPACTION.
 INFILTRATION AREA MUST CONFORM TO WISCONSIN DNR TECHNICAL STANDARD 1003 (INFILTRATION BASIN)

PLANTING, MULCH, AND MAINTENANCE NOTES:
 NATIVE (PRAIRIE) SEEDING SHALL BE COMPLETED IN THE FALL (AS DORMANT SEEDING PRIOR TO FIRST SNOWFALL) OR IN THE SPRING (BETWEEN MAY 1 AND JUNE 20), OR PLUGS SHALL BE USED.

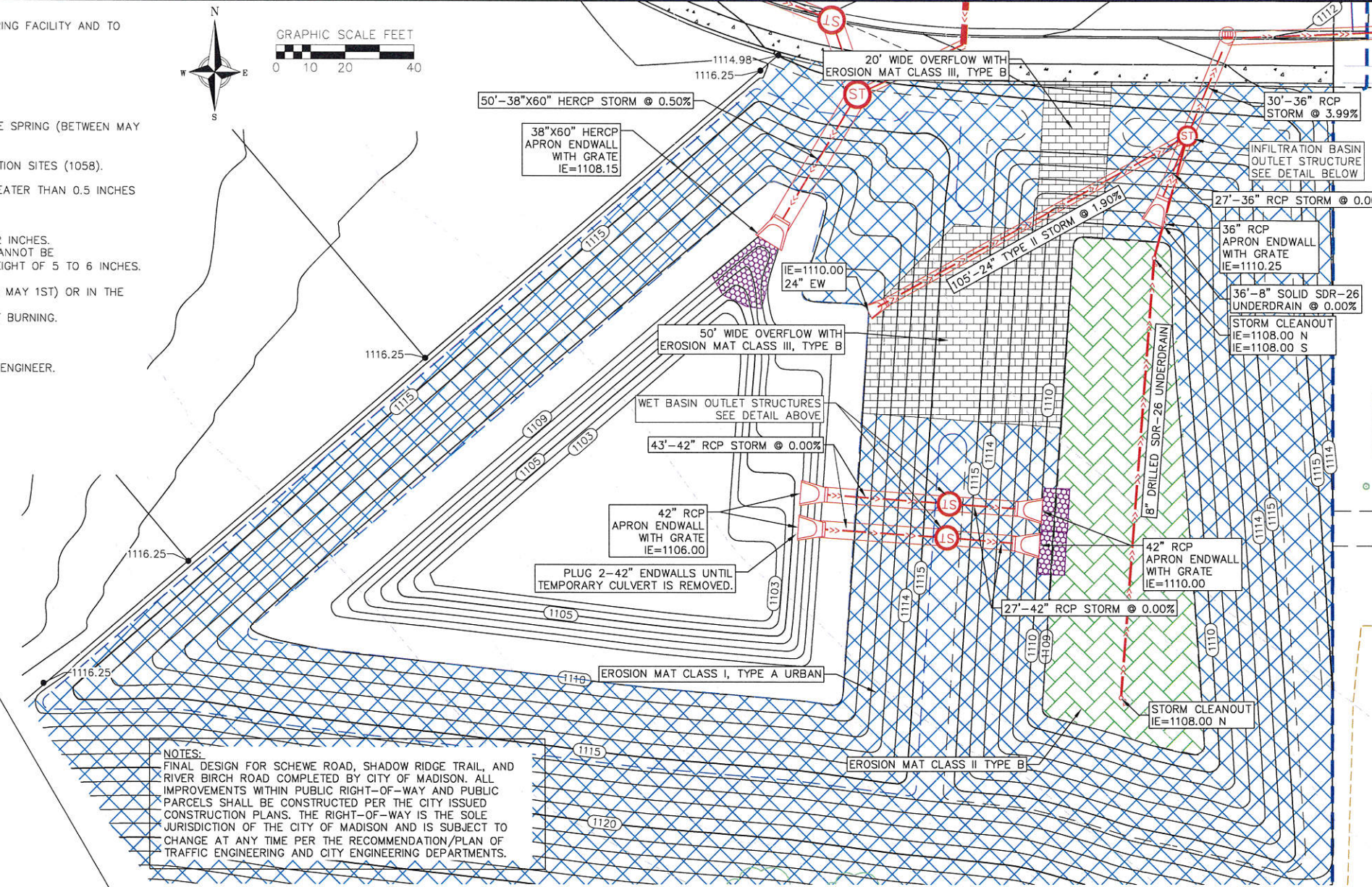
MULCH SHALL CONFORM TO THE CRITERIA LOCATED IN WDNR CONSERVATION PRACTICE STANDARD MULCHING FOR CONSTRUCTION SITES (1058).
 HEAVILY WATER AREA AT THE TIME OF SEEDING, AND EVERY OTHER DAY FOR A TOTAL OF 4 WATERINGS. A RAIN EVENT GREATER THAN 0.5 INCHES CONSTITUTES A WATERING.

MAINTENANCE OF NATIVE VEGETATION (MOWING, CUTTING OR BURNING SHALL BE USED TO MAINTAIN VEGETATION:
 1. ESTABLISHMENT— THE FIRST MOWING OF NEWLY PLANTED SEED SHALL OCCUR ONCE IT REACHES A HEIGHT OF 10 TO 12 INCHES.
 2. MOWING—MOWING SHALL REDUCE THE HEIGHT OF PLANTS TO 5 TO 6 INCHES. IF AFTER ESTABLISHMENT, IF BURNING CANNOT BE ACCOMMODATED, MOWING SHALL OCCUR ONCE IN THE FALL AFTER NOVEMBER 1). THE AREA SHALL BE MOWED TO A HEIGHT OF 5 TO 6 INCHES.
 3. BURNING
 A. ROUTINE MAINTENANCE – BEGINNING THE SECOND YEAR, BURNING SHALL OCCUR IN THE EARLY SPRING (PRIOR TO MAY 1ST) OR IN THE LATE FALL (AFTER NOVEMBER 1ST)
 B. BURNING SHALL BE DONE TWO CONSECUTIVE YEARS AND THEN UP TO THREE YEARS CAN PASS BEFORE THE NEXT BURNING.
 C. UNDER NO CIRCUMSTANCES SHALL BURNING OCCUR EVERY OTHER YEAR

RESTORATION OF THE INFILTRATION AREA (NOT INCLUDING SIDE SLOPES):
 1. OVER-EXCAVATE THE AREA TO INFILTRATIVE LAYER TO BE DETERMINED IN THE FIELD, DURING EXCAVATION, BY DESIGN ENGINEER.
 2. CHISEL PLOW, OR ROTO-TILL THE BASE OF THE AREA TO BREAK UP ANY HARDPAN IN THE NATIVE SOIL LAYER.
 3. SEED, MULCH, WATER, AND MAINTAIN AS DIRECTED ABOVE.



WISCONSIN PROFESSIONAL ENGINEER
 SARAH CHURCH
 E-39369
 MADISON WI
 10/30/19



NOTES:
 FINAL DESIGN FOR SCHEWE ROAD, SHADOW RIDGE TRAIL, AND RIVER BIRCH ROAD COMPLETED BY CITY OF MADISON. ALL IMPROVEMENTS WITHIN PUBLIC RIGHT-OF-WAY AND PUBLIC PARCELS SHALL BE CONSTRUCTED PER THE CITY ISSUED CONSTRUCTION PLANS. THE RIGHT-OF-WAY IS THE SOLE JURISDICTION OF THE CITY OF MADISON AND IS SUBJECT TO CHANGE AT ANY TIME PER THE RECOMMENDATION/PLAN OF TRAFFIC ENGINEERING AND CITY ENGINEERING DEPARTMENTS.

INFILTRATION BASIN OUTLET STRUCTURE DETAIL
 NOT TO SCALE

SECTION VIEW
 * PER GCG INC., SOILS REPORTS DATED AUGUST 13, 2018 AND MAY 7, 2019

vierbicher
 planners | engineers | advisors
 Phone: (608) 261-3898

Basin Detail 2
 Pope Farm Elementary School
 City of Madison
 Dane County, Wisconsin

REVISIONS	NO.	DATE	REMARKS

SCALE AS SHOWN
 DATE 10/30/19
 DRAFTER BBAR/JGOL
 CHECKED MSCH/TSCH
 PROJECT NO. 180222
C 27

30 Oct 2019 - 12:56p M:\EUA\180222_MCPASD Elementary School - Pope Farm 2018\CADD\180222 - Grading and EC.dwg by: bbar

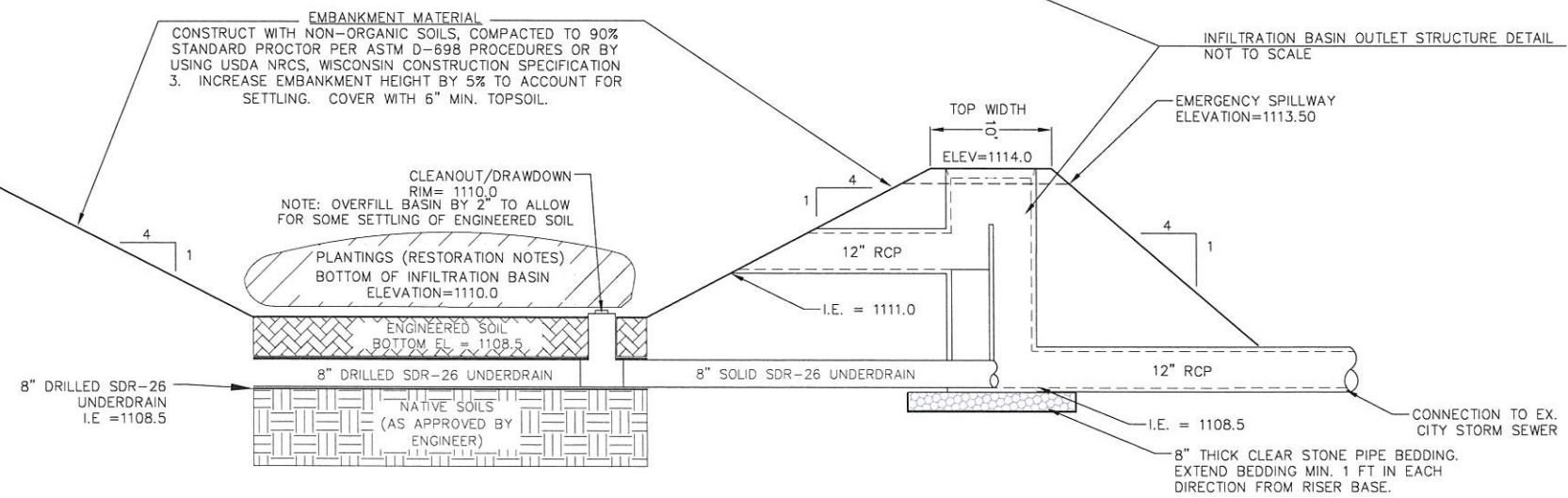
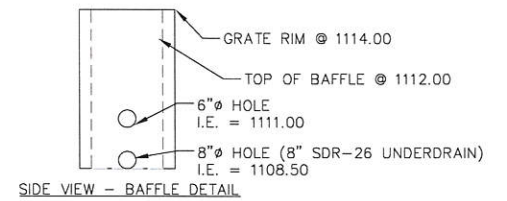
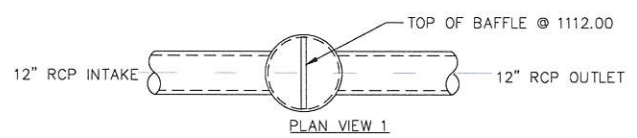
©2018 Vierbicher Associates, Inc.

30 Oct 2019 - 12:59p M:\EUA\180222_MCPASD Elementary School - Pope Farm 2018\CADD\180222 - Grading and EC.dwg by: bbar

INFILTRATION AREA CONSTRUCTION AND RESTORATION SPECIFICATIONS:
 NOTE: AFTER INFILTRATION AREA IS CONSTRUCTED THE AREA SHALL BE FENCED OFF TO PREVENT SED PREVENT HEAVY EQUIPMENT ACCESS DURING DEVELOPMENT.
 TRACKED VEHICLES SHOULD BE USED DURING CONSTRUCTION TO LESSEN COMPACTION.
 INFILTRATION AREA MUST CONFORM TO WISCONSIN DNR TECHNICAL STANDARD 1003 (INFILTRATION BASIN)
PLANTING, MULCH, AND MAINTENANCE NOTES:
 NATIVE (PRAIRIE) SEEDING SHALL BE COMPLETED IN THE FALL (AS DORMANT SEEDING PRIOR TO FIRST SN 1 AND JUNE 20), OR PLUGS SHALL BE USED.
 MULCH SHALL CONFORM TO THE CRITERIA LOCATED IN WDNR CONSERVATION PRACTICE STANDARD MULCH HEAVILY WATER AREA AT THE TIME OF SEEDING, AND EVERY OTHER DAY FOR A TOTAL OF 4 WATERINGS. CONSTITUTES A WATERING.
MAINTENANCE OF NATIVE VEGETATION (MOWING, CUTTING OR BURNING SHALL BE USED TO MAINTAIN VEGETATION):
 1. ESTABLISHMENT- THE FIRST MOWING OF NEWLY PLANTED SEED SHALL OCCUR ONCE IT REACHES A HEIGHT OF 5 TO 6 INCHES.
 2. MOWING-MOWING SHALL REDUCE THE HEIGHT OF PLANTS TO 5 TO 6 INCHES. IF AFTER ESTABLISHMENT ACCOMMODATED, MOWING SHALL OCCUR ONCE IN THE FALL AFTER NOVEMBER 1). THE AREA SHALL BE BURNING
 3. BURNING
 A. ROUTINE MAINTENANCE - BEGINNING THE SECOND YEAR, BURNING SHALL OCCUR IN THE EARLY LATE FALL (AFTER NOVEMBER 1ST)
 B. BURNING SHALL BE DONE TWO CONSECUTIVE YEARS AND THEN UP TO THREE YEARS CAN PASS UNDER NO CIRCUMSTANCES SHALL BURNING OCCUR EVERY OTHER YEAR
RESTORATION OF THE INFILTRATION AREA (NOT INCLUDING SIDE SLOPES):
 1. OVER-EXCAVATE THE AREA TO INFILTRATIVE LAYER TO BE DETERMINED IN THE FIELD, DURING EXCAV CHISEL PLOW, OR ROTO-TILL THE BASE OF THE AREA TO BREAK UP ANY HARDPAN IN THE NATIVE SOILS.
 2. SEED, MULCH, WATER, AND MAINTAIN AS DIRECTED ABOVE.
 3. SEED, MULCH, WATER, AND MAINTAIN AS DIRECTED ABOVE.

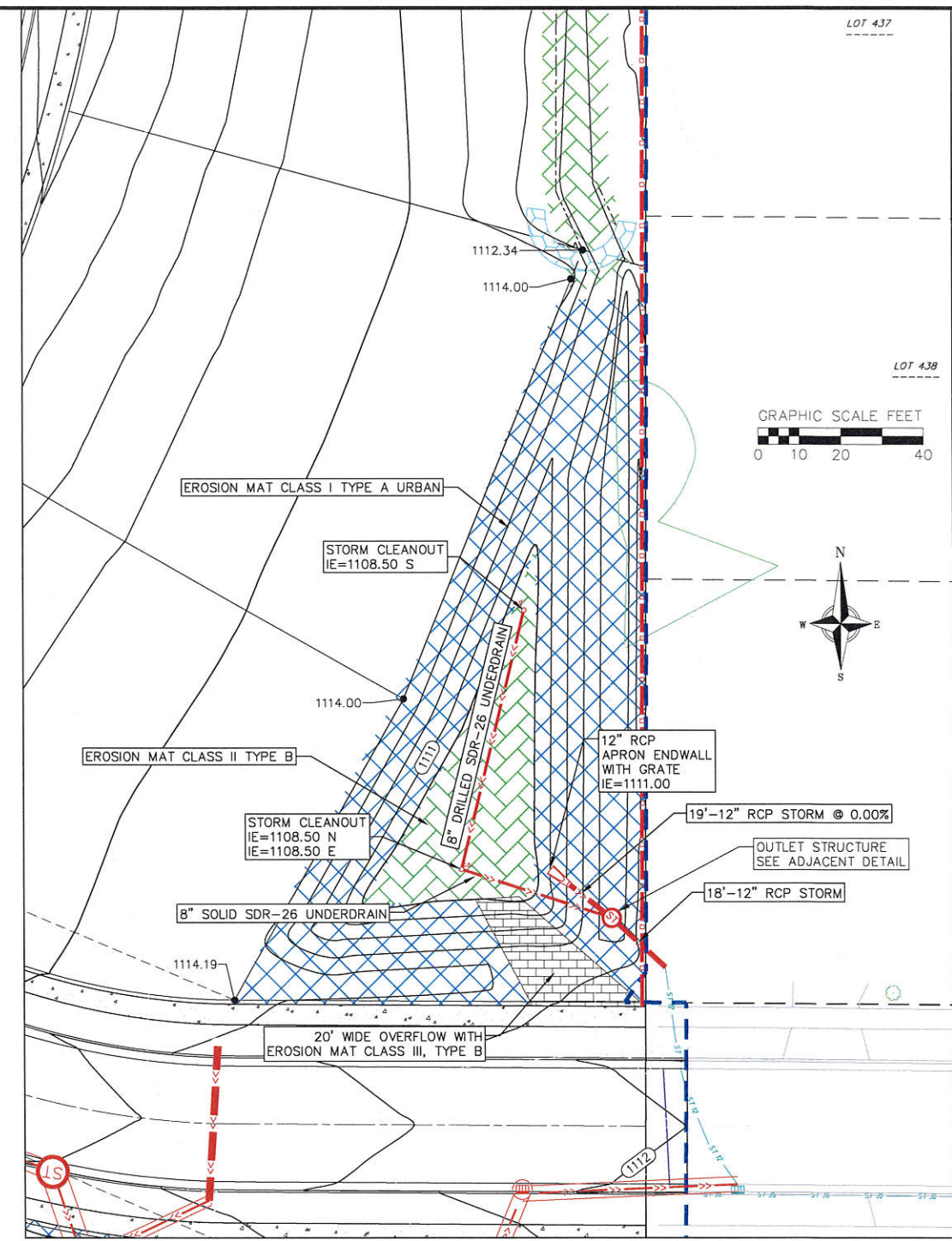
OUTLET STRUCTURE
 48" MANHOLE W/ FLAT TOP AND R-1480-E LID (OR OTHER APPROVED BY DESIGN ENGINEER).
 BAFFLE TO HAVE 8" THICK INTERNAL WALL (REINFORCE W/#6 VERTICAL AND HORIZONTAL REBAR - 12" ON CENTER)

*STRUCTURE MAY CHANGE BASED ON SHOP DRAWINGS PROVIDED BY CONTRACTOR



ENGINEERED SOIL MIXTURE
 70%-85% WASHED SAND
 15%-30% COMPOST (MUST MEET WDNR S100 SPECIFICATION)

1 INFILTRATION FACILITY CROSS-SECTION
 1 NOT TO SCALE



Sarah Church
 10/30/19

REVISIONS	NO.	DATE	REMARKS

SCALE AS SHOWN
 DATE 10/30/19
 DRAFTER BBAR/JGOL
 CHECKED MSCH/TSCH
 PROJECT NO. 180222

C
28