



ENERGY STAR® Program Requirements for Electric Vehicle Supply Equipment

Partner Commitments

Following are the terms of the ENERGY STAR Partnership Agreement as it pertains to the manufacture and labeling of ENERGY STAR certified products. The ENERGY STAR Partner must adhere to the following partner commitments:

Certifying Products

1. Comply with current ENERGY STAR Eligibility Criteria, which define performance requirements and test procedures for Electric Vehicle Supply Equipment. A list of eligible products and their corresponding Eligibility Criteria can be found at www.energystar.gov/specifications.
2. Prior to associating the ENERGY STAR name or mark with any product, obtain written certification of ENERGY STAR certification from a Certification Body recognized by EPA for Electric Vehicle Supply Equipment. As part of this certification process, products must be tested in a laboratory recognized by EPA to perform Electric Vehicle Supply Equipment testing. A list of EPA-recognized laboratories and certification bodies can be found at www.energystar.gov/testingandverification.

Using the ENERGY STAR Name and Marks

3. Comply with current ENERGY STAR Identity Guidelines, which define how the ENERGY STAR name and marks may be used. Partner is responsible for adhering to these guidelines and ensuring that its authorized representatives, such as advertising agencies, dealers, and distributors, are also in compliance. The ENERGY STAR Brand Book is available at www.energystar.gov/logouse.
4. Use the ENERGY STAR name and marks only in association with certified products. Partner may not refer to itself as an ENERGY STAR Partner unless at least one product is certified and offered for sale in the U.S. and/or ENERGY STAR partner countries.
5. Provide clear and consistent labeling of ENERGY STAR certified Equipment.

5.1. The ENERGY STAR mark must be clearly displayed:

5.1.1. Permanently affixed to the front of the product or on/next to the machine nameplate;

Option for electronic labeling: In instances where an electronic display is present, manufacturers have the option of displaying an electronic label in place of a physical label in a corner of the display, at system start-up, between marketing segments, or at the beginning of a transaction, as long it meets the following requirements:

- The ENERGY STAR mark in cyan, black, or white (as described in the ENERGY STAR Brand Book available at www.energystar.gov/logouse).
- The electronic mark must display for a minimum of 5 seconds;
- The ENERGY STAR mark must be at least 10% of the screen by area, may not be smaller than 76 pixels x 78 pixels and must be legible.

EPA will consider alternative proposals regarding approach, duration, or size for electronic labeling on a case-by-case basis.

5.1.2. In product literature (i.e., user manuals, spec sheets, etc.);

5.1.3. On product packaging; and

- 5.1.4. On the manufacturer's Internet site where information about ENERGY STAR certified models is displayed.

Verifying Ongoing Product Certification

6. Participate in third-party verification testing through a Certification Body recognized by EPA for Electric Vehicle Supply Equipment, providing full cooperation and timely responses, EPA/DOE may also, at its discretion, conduct tests on products that are referred to as ENERGY STAR certified. These products may be obtained on the open market, or voluntarily supplied by Partner at the government's request.

Providing Information to EPA

7. Provide unit shipment data or other market indicators to EPA annually to assist with creation of ENERGY STAR market penetration estimates, as follows:
 - 7.1. Partner must submit the total number of ENERGY STAR certified Electric Vehicle Supply Equipment shipped in the calendar year or an equivalent measurement as agreed to in advance by EPA and Partner. Partner shall exclude shipments to organizations that rebrand and resell the shipments (unaffiliated private labelers).
 - 7.2. Partner must provide unit shipment data segmented by meaningful product characteristics (e.g., type, capacity, presence of additional functions) as prescribed by EPA.
 - 7.3. Partner must submit unit shipment data for each calendar year to EPA or an EPA-authorized third party, preferably in electronic format, no later than March 1 of the following year.

Submitted unit shipment data will be used by EPA only for program evaluation purposes and will be closely controlled. If requested under the Freedom of Information Act (FOIA), EPA will argue that the data is exempt. Any information used will be masked by EPA so as to protect the confidentiality of the Partner.

8. Report to EPA any attempts by recognized laboratories or Certification Bodies (CBs) to influence testing or certification results or to engage in discriminatory practices.
9. Notify EPA of a change in the designated responsible party or contacts within 30 days using the My ENERGY STAR Account tool (MESA) available at www.energystar.gov/mesa.

Training and Consumer Education

10. Partner shall agree to complete steps to educate users about the benefits of more energy efficient products by including the following information with each EVSE (i.e., in the user manual or on a box insert):
 - 10.1. Energy saving potential;
 - 10.2. Financial saving potential;
 - 10.3. Environmental benefits;
 - 10.4. Information on ENERGY STAR and a link to www.energystar.gov; and
 - 10.5. ENERGY STAR logo (used in accordance with the ENERGY STAR Brand Book available at www.energystar.gov/logouse).
11. At the manufacturer's request, EPA will supply suggested facts and figures related to the above criteria, template elements, or a complete template suitable for use in user guides or box inserts.

Performance for Special Distinction

In order to receive additional recognition and/or support from EPA for its efforts within the Partnership, the ENERGY STAR Partner may consider the following voluntary measures, and should keep EPA informed on the progress of these efforts:

- Provide quarterly, written updates to EPA as to the efforts undertaken by Partner to increase availability of ENERGY STAR certified products, and to promote awareness of ENERGY STAR and its message.
- Consider energy efficiency improvements in company facilities and pursue benchmarking buildings through the ENERGY STAR Buildings program.
- Purchase ENERGY STAR certified products. Revise the company purchasing or procurement specifications to include ENERGY STAR. Provide procurement officials' contact information to EPA for periodic updates and coordination. Circulate general ENERGY STAR certified product information to employees for use when purchasing products for their homes.
- Feature the ENERGY STAR mark(s) on Partner website and other promotional materials. If information concerning ENERGY STAR is provided on the Partner website as specified by the ENERGY STAR Web Linking Policy (available in the Partner Resources section of the ENERGY STAR website), EPA may provide links where appropriate to the Partner website.
- Ensure the power management feature is enabled on all ENERGY STAR certified displays and computers in use in company facilities, particularly upon installation and after service is performed.
- Provide general information about the ENERGY STAR program to employees whose jobs are relevant to the development, marketing, sales, and service of current ENERGY STAR certified products.
- Provide a simple plan to EPA outlining specific measures Partner plans to undertake beyond the program requirements listed above. By doing so, EPA may be able to coordinate, and communicate Partner's activities, provide an EPA representative, or include news about the event in the ENERGY STAR newsletter, on the ENERGY STAR website, etc. The plan may be as simple as providing a list of planned activities or milestones of which Partner would like EPA to be aware. For example, activities may include: (1) increasing the availability of ENERGY STAR certified products by converting the entire product line within two years to meet ENERGY STAR guidelines; (2) demonstrating the economic and environmental benefits of energy efficiency through special in-store displays twice a year; (3) providing information to users (via the website and user's manual) about energy-saving features and operating characteristics of ENERGY STAR certified products; and (4) building awareness of the ENERGY STAR Partnership and brand identity by collaborating with EPA on one print advertorial and one live press event.
- Join EPA's SmartWay Transport Partnership to improve the environmental performance of the company's shipping operations. The SmartWay Transport Partnership works with freight carriers, shippers, and other stakeholders in the goods movement industry to reduce fuel consumption, greenhouse gases, and air pollution. For more information on SmartWay, visit www.epa.gov/smartway.
- Join EPA's Green Power Partnership. EPA's Green Power Partnership encourages organizations to buy green power as a way to reduce the environmental impacts associated with traditional fossil fuel-based electricity use. The partnership includes a diverse set of organizations including Fortune 500 companies, small and medium businesses, government institutions as well as a growing number of colleges and universities. For more information on Green Power, visit www.epa.gov/greenpower.



ENERGY STAR® Program Requirements for Electric Vehicle Supply Equipment

Eligibility Criteria Version 1.2

Following is the Version 1.2 ENERGY STAR product specification for Electric Vehicle Supply Equipment. A product shall meet all the identified criteria if it is to earn the ENERGY STAR.

1 DEFINITIONS

- A) **Electric Vehicle Supply Equipment (EVSE):** The conductors, including the ungrounded, grounded, and equipment grounding conductors, the electric vehicle connectors, attachment plugs, and all other fittings, devices, power outlets, or apparatuses installed specifically for the purpose of transferring energy between the premises wiring (if available) to the electric vehicle. Charging cords with NEMA 5-15P and NEMA 5-20P attachment plugs are considered EVSEs. Excludes conductors, connectors, and fittings that are part of the vehicle.¹
- 1) **Level 1:** A galvanically connected EVSE with a single-phase input voltage nominally 120 volts AC and maximum output current less than or equal to 16 amperes AC.²
 - 2) **Level 2:** A galvanically connected EVSE with a single-phase input voltage range from 208 to 240 volts AC and maximum output current less than or equal to 80 amperes AC.²
 - 3) **DC-output:** A method that uses dedicated direct current (DC) electric vehicle/plug-in hybrid electric vehicle (EV/PHEV) supply equipment to provide energy from an appropriate off-board charger to the EV/PHEV in either private or public locations.³
 - 4) **Wireless / Inductive:** An EVSE which transfers energy to the vehicle without a galvanic connection between the vehicle and EVSE.

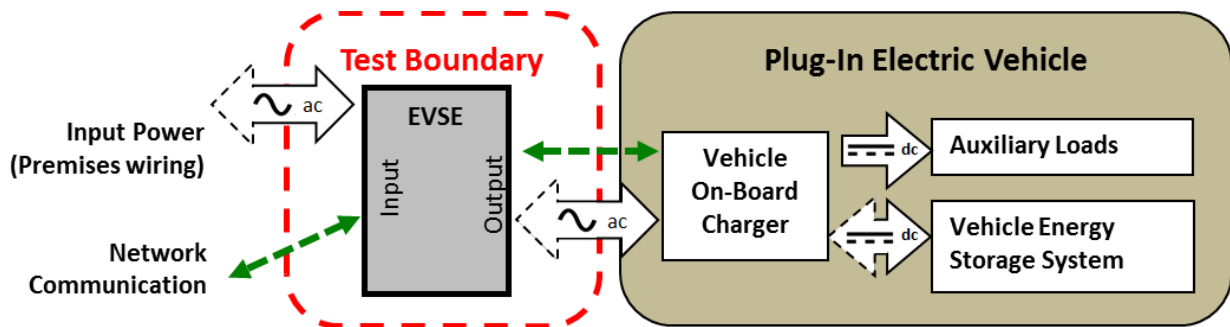


Figure 1: Schematic of Overall Plug-In Vehicle Charging System Detailing EVSE Test Boundary

¹ SAE J2894-1 Section 3.10.

² This definition is intended to be consistent with the requirements in SAE J1772, with some additional clarifications.

³ SAE International, Surface Vehicle Standard J1772, “SAE Electric Vehicle and Plug in Hybrid Electric Vehicle Conductive Charge Coupler”, Oct. 2017, Section 3.10.

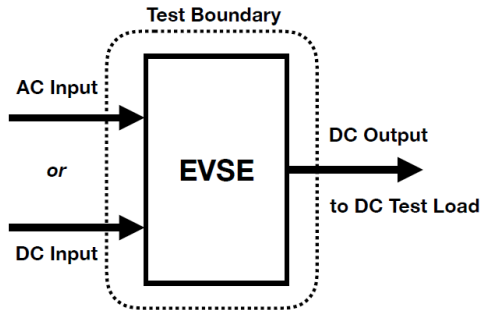


Figure 2: Schematic of DC-Output EVSE Test Boundary

B) EVSE Functions:

- 1) Primary Function: Providing current to a connected load.
- 2) Secondary Function: Function that enables, supplements, or enhances a primary function. For EVSE, examples of Secondary Functions are:
 - a) Automatic Brightness Control (ABC): The self-acting mechanism that controls the brightness of a display or lamp as a function of ambient light.
 - b) Full Network Connectivity: The ability of the EVSE to maintain network presence while in Partial On Mode.

Note: Presence of the EVSE's network services, its applications, and possibly its display is maintained even if some components of the EVSE are powered down. The EVSE can elect to change power states based on receipt of network data from remote network devices but should otherwise stay in a low power mode absent a demand for services from a remote network device.

- c) Occupancy Sensing: Detection of human or object presence in front of or in the area surrounding an EVSE.
 - d) Communicating with the vehicle;
 - e) Illumination of display, indicator lights, or ambient lighting;
 - f) Public access control (RFID card, authorization, etc.);
 - g) Control Pilot Signal; and
 - h) Wake-up function.
- 3) Tertiary Function: Function other than a primary or a secondary function.
 Example: An EMC filter and status indication provides their function in No Vehicle Mode, Partial On Mode, and On Mode.
- 4) In-use: Indicates the presence of a feature that is enabled and ready to provide a service in standby mode even if other components of the EVSE are powered down. The feature must not be disabled by hardware or software during testing.

C) DC-output EVSE Product Configurations:

- 1) Distributed Product Configuration: A DC-output EVSE that has its functional components distributed between more than one separate enclosures.
 - a) Minimum Distributed Product Configuration: The minimum configuration of a DC-output EVSE which provides current to a connected load. The product may have more than one port.
- 2) All-in-One Product Configuration: A DC-output EVSE that has all of its components in one enclosure.

D) EVSE Operational Modes and Power States:

Note: The transition period to a different mode; whether automatically initiated, or via user action; does not constitute a mode.

- 1) Disconnected: Condition of the equipment during which all connections to power sources supplying the equipment are removed or galvanically isolated and no functions depending on those power sources are provided. The term power source includes power sources external and internal to the equipment.
- 2) No Vehicle Mode: Condition during which the equipment is connected to external power and the product is physically disconnected from vehicle (mode can only be entered or exited through manual intervention). No Vehicle Mode is intended to be the lowest-power mode of the EVSE.

Note: The vehicle-EVSE interface is in State A of SAE J1772, where the vehicle is not connected.⁴

- 3) On Mode: Condition during which the equipment provides the primary function or can promptly provide the primary function.

- a) Operation Mode: Condition during which the equipment is performing the primary function.

Note: The vehicle-EVSE interface is in State C, where the vehicle is connected and accepting energy.⁴

- b) Idle Mode: Condition during which the equipment can promptly provide the primary function but is not doing so.

Note: Idle Mode is the condition within On Mode where the EVSE is connected to the vehicle or vehicle simulator but is not actively providing current. The vehicle-EVSE interface is in State C, where the vehicle is connected and ready to accept energy.⁴

- 4) Partial On Mode: Condition during which the equipment provides at least one secondary function but no primary function.

Note: The vehicle-EVSE interface is in State B1 or B2, where the vehicle is connected but not ready to accept energy and the EVSE is or is not ready to supply energy.⁴

⁴ This mode is intended to be associated with a vehicle/EVSE interface state (e.g., A, B, or C) as defined in SAE J1772.

Table 1: Operational Modes and Power States

Operational Modes	Most closely related Interface State as Defined in SAE J1772	Further Description
No Vehicle Mode	State A	No Vehicle Mode is associated with State A, or where the EVSE is not connected to the EV. The EVSE is connected to external power.
Partial On Mode	State B1 or State B2	Partial On Mode is associated with State B1 or State B2 where the vehicle is connected but is not ready to accept energy. Sub-state B1 is where the EVSE is not ready to supply energy and sub-state B2 is where the EVSE is ready to supply energy.
On Mode		
Idle Mode	State C	Idle Mode is associated with State C, where the vehicle is connected and ready to accept energy and the EVSE is capable of promptly providing current to the EV but is not doing so.
Operation Mode	State C	Operation Mode is associated with State C, where the EVSE is providing the primary function, or providing current to a connected load (i.e., the relay is closed, and the vehicle is drawing current).

E) Other:

- 1) Apparent power (S): The product of RMS voltage and RMS current, which is equal to magnitude of the complex power, and measured in volt-amperes (VA).
- 2) Average Power (P) (also Real Power): The power in a circuit which is transformed from electric to non-electric energy and is measured in watts (W). For a two-terminal device with instantaneous current and voltage waveforms $i(t)$ and $v(t)$ which are periodic with period T, the real or average power P is⁵:

$$P = \frac{1}{T} \int_0^T v(t)i(t)dt$$

- 3) Power Factor (PF): The ratio of the average power (P) in watts to the apparent power (S) in volt-amperes.

$$PF = \frac{P}{S}$$

- 4) Unit Under Test (UUT): The specific sample of a representative model undergoing measurement which includes the base product and any accessories packaged with it.
- 5) Illuminance: The luminous flux per unit area of light illuminating a given surface, expressed in units of lux (lx).

⁵ Average power is intended to align with the definition of real power in SAE J2894.

- 6) Luminance: The photometric measure of the luminous intensity per unit area of light travelling in a given direction, expressed in candelas per square meter (cd/m²).
 - 7) High Resolution Display: A screen device that converts a video signal into a visual output and is capable of displaying a minimum of 480x234 native resolution and has a backlight (e.g., LCD panel, OLED panel).
 - 8) Speaker: A transducer that transforms electromagnetic waves into audio output.
 - 9) Power Line Communication (PLC) Board: Allows power lines to be used for data communication by transferring data over existing power lines.
 - 10) Credit Card Reader: A scanner, reader, or any other electronic device that is used to access, read, scan, obtain, memorize, or store, temporarily or permanently, information encoded on the magnetic strip or stripe of a payment card or via information transferred via a contactless connection using radio frequency identification (RFID) technology or near-field communication (NFC)⁶.
 - 11) Radio Frequency Identification Card (RFID): A card that communicates with a reader through radio-frequency electromagnetic fields and is capable of transmitting payment information⁷.
 - 12) Revenue Grade Meter (RGM): A meter that meets the requirements outlined in the NIST Handbook 44: Specifications, Tolerances, and Other Technical Requirements for Weighting and Measuring Devices, Section 3.40, Electric Vehicle Fueling Systems.⁸
- F) Product Family: A group of product models that are (1) made by the same manufacturer, (2) subject to the same ENERGY STAR certification criteria, and (3) of a common basic design. Product models within a family differ from each other according to one or more characteristics or features that either (1) have no impact on product performance with regard to ENERGY STAR certification criteria, or (2) are specified herein as acceptable variations within a Product Family. For EVSE, including Distributed Product Configuration DC-output EVSE, acceptable variations within a Product Family include the following, as long as the variation does not impact the product's ability to meet all requirements:
- 1) Color,
 - 2) Output cable,
 - 3) Housing,
 - 4) Electronic components other than the motherboard, and
 - 5) Firmware updates,
- G) **Acronyms:**
- 1) A: Ampere
 - 2) ABC: Automatic Brightness Control
 - 3) AC: Alternating Current
 - 4) DC: Direct Current
 - 5) DOE: U.S. Department of Energy
 - 6) DR: Demand Response
 - 7) EPA: Environmental Protection Agency
 - 8) EVSE: Electric Vehicle Supply Equipment

⁶ 23 CFR 680.104 and 23 CFR 680.106(f)

⁷ [EVSE Att A - Final Reg. Order \(ca.gov\)](#)

⁸ NIST Handbook 44: Specifications, Tolerances, and Other Technical Requirements for Weighting and Measuring Devices, Section 3.40, Electric Vehicle Fueling Systems

- 9) IEC: International Electrotechnical Commission
- 10) IEEE: Institute of Electrical and Electronics Engineers
- 11) NEMA: National Electrical Manufacturers Association
- 12) SAE: Society of Automotive Engineers
- 13) UUT: Unit Under Test
- 14) V: Volt
- 15) W: Watt

2 SCOPE

2.1 Included Products

- 2.1.1 Products that meet the definition for EVSE as specified herein are eligible for ENERGY STAR certification, with the exception of products listed in Section 2.2. In addition, eligible EVSE shall fall into one of the following categories:
 - i. Level 1 EVSE.
 - ii. Level 2 EVSE.
 - iii. Dual Input Level 1 and Level 2 EVSE.
 - iv. DC-output EVSE with output power less than or equal to 350 kW.

2.2 Excluded Products

- 2.2.1 Products that are covered under other ENERGY STAR product specifications are not eligible for certification under this specification. The list of specifications currently in effect can be found at www.energystar.gov/specifications.
- 2.2.2 The following products are not eligible for certification under this specification:
 - i. DC-output EVSE with power greater than 350 kW.
 - ii. Pantograph EVSE (chargers with an automated connection system, or ACS).
 - iii. Wireless/Inductive EVSE.
 - iv. Medium voltage AC input supply EVSE (13.2 kV).
 - v. Power electronic components inside the vehicle.

3 CERTIFICATION CRITERIA

3.1 Significant Digits and Rounding

- 3.1.1 All calculations shall be carried out with actual measured (unrounded) values. Only the final result of a calculation shall be rounded.
- 3.1.2 Unless otherwise specified within this specification, compliance with specification limits shall be evaluated using exact values without any benefit from rounding.

3.1.3 Directly measured or calculated values that are submitted for reporting on the ENERGY STAR website shall be rounded to the nearest significant digit as expressed in the corresponding specification limit.

3.2 General Requirements

3.2.1 Each EVSE shall be Listed by a Nationally Recognized Testing Laboratory (NRTL) for safety in order to be eligible to receive ENERGY STAR certification.

3.2.2 Dual Input Level 1 and Level 2 EVSE shall meet all requirements and report information in both configurations.

3.3 No Vehicle Mode Requirements for Level 1 and Level 2 EVSE

Note: These requirements refer to the SAE J1772 State A.

3.3.1 Measured No Vehicle Mode power ($P_{NO_VEHICLE}$) for Level 1 and Level 2 EVSE shall be less than or equal to the Maximum No Vehicle Mode Power Requirement ($P_{NO_VEHICLE_MAX}$), as calculated per Equation 1, subject to the following requirements.

- i. For products with ABC enabled by default, the average No Vehicle Mode power in high and low illuminance conditions shall be used in place of $P_{NO_VEHICLE}$, above.
- ii. For products capable of network connection with multiple protocols (e.g., Wi-Fi and Cellular), only the allowance for the protocol enabled during testing shall be claimed.

Equation 1: Calculation of Maximum No Vehicle Mode Power Requirement

$$P_{NO_VEHICLE_MAX} = 4 + P_{WAKE} + P_{AUX}$$

Where:

- $P_{NO_VEHICLE_MAX}$ is the Maximum No Vehicle Mode Power Requirement;
- P_{WAKE} is the No Vehicle Mode power allowance for the network connection with wake capability enabled during testing listed in Table 2; and
- P_{AUX} is the sum of No Vehicle Mode power allowance for auxiliary features enabled during testing listed in Table 2.

Table 2: No Vehicle Mode Power Allowances

Product Function	No Vehicle Mode Power Allowance (watts, rounded to the nearest 0.1 W for reporting)
In-use Wi-Fi or Ethernet Interface with Wake Capability (P_{WAKE})	$\frac{1.0}{n}$ <p><i>Where:</i></p> <ul style="list-style-type: none"> n is the number of outputs.
In-use Cellular with Wake Capability (P_{WAKE})	$\frac{2.0}{n}$ <p><i>Where:</i></p> <ul style="list-style-type: none"> n is the number of outputs.
Other In-use LAN (Local Area Network) Interface with Wake Capability (P_{WAKE})	$\frac{1.0}{n}$ <p><i>Where:</i></p> <ul style="list-style-type: none"> n is the number of outputs.
Auxiliary Features (P_{AUX})	<ul style="list-style-type: none"> In-use high resolution display: $\frac{[(4.0 \times 10^{-5} \times \ell \times A) + 119 \times \tanh(0.0008 \times [A - 200.0] + 0.11) + 6.0]}{n}$ <p><i>Where:</i></p> <ul style="list-style-type: none"> A is the Screen Area in square inches; ℓ is the Maximum Measured Luminance of the Display in candelas per square meter, as measured in Section 4) C) of the ENERGY STAR Test Method for Determining Electric Vehicle Supply Equipment Energy; \tanh is the hyperbolic tangent function; and n is the number of outputs. <p>Example: For a single-output EVSE with a maximum measured luminance of 300 candelas/m² and a 5×5-inch screen, the allowance for the in-use display would be 2.7 watts.</p> <ul style="list-style-type: none"> In-use speaker: 1W In-use PLC boards: 1W per port In-use credit card reader: 5W In-use RFID systems: 1.5W In-use RGM: 1W In-use Occupancy Sensing (Camera, Proximity Sensor etc.): 1.5W

3.4 Partial On Mode Requirements for Level 1 and Level 2 EVSE

Note: These requirements refer to the SAE J1772 State B1 or State B2.

3.4.1 Measured Partial On Mode power ($P_{PARTIAL_ON}$) for Level 1 and Level 2 EVSE shall be less than or equal to the Maximum Partial On Mode Power Requirement ($P_{PARTIAL_ON_MAX}$), as calculated per Equation 2, subject to the following requirements.

- i. For products with ABC enabled by default, the average Partial On Mode power in high and low illuminance conditions shall be used in place of $P_{PARTIAL_ON}$, above.
- ii. For products capable of network connection with multiple protocols (e.g., Wi-Fi and Cellular), only the allowance for the protocol enabled during testing shall be claimed.

Equation 2: Calculation of Maximum Partial On Mode Power Requirement

$$P_{PARTIAL_ON_MAX} = 4 + P_{WAKE} + P_{AUX}$$

Where:

- $P_{PARTIAL_ON_MAX}$ is the Maximum Partial On Mode Power Requirement;
- P_{WAKE} is the Partial On Mode power allowance for the network connection with wake capability enabled during testing listed in Table 3; and
- P_{AUX} is the sum of Partial On Mode power allowance for auxiliary features enabled during testing listed in Table 3.

Table 3: Partial On Mode Power Allowances

Product Function	Partial On Mode Power Allowance (watts, rounded to the nearest 0.1 W for reporting)
In-use Wi-Fi or Ethernet Interface with Wake Capability (P_{WAKE})	$\frac{1.0}{n}$ <p>Where:</p> <ul style="list-style-type: none"> • n is the number of outputs.
In-use Cellular with Wake Capability (P_{WAKE})	$\frac{2.0}{n}$ <p>Where:</p> <ul style="list-style-type: none"> • n is the number of outputs.
Other In-use LAN (Local Area Network) Interface with Wake Capability (P_{WAKE})	$\frac{1.0}{n}$ <p>Where:</p> <ul style="list-style-type: none"> • n is the number of outputs.
Auxiliary Features (P_{AUX})	<ul style="list-style-type: none"> • In-use high resolution display: $[(4.0 \times 10^{-5} \times \ell \times A) + 119 \times \tanh(0.0008 \times [A - 200.0] + 0.11) + 6.0] / n$ <p>Where:</p> <ul style="list-style-type: none"> ○ A is the Screen Area in square inches; ○ ℓ is the Maximum Measured Luminance of the Display in candelas per square meter, as measured in Section 4) C) of the ENERGY STAR Test Method for Determining Electric Vehicle Supply Equipment Energy; ○ \tanh is the hyperbolic tangent function; and ○ n is the number of outputs. <p>Example: For a single-output EVSE with a maximum measured luminance of 300 candelas/m² and a 5×5-inch screen, the allowance for the in-use display would be 2.7 watts.</p> • In-use speaker: 1W • In-use PLC boards: 1W per port • In-use credit card reader: 5W • In-use RFID systems: 1.5W • In-use RGM: 1W • In-use Occupancy Sensing (Camera, Proximity Sensor etc.): 1.5W

3.5 Idle Mode Requirements for Level 1 and Level 2 EVSE

Note: These requirements refer to the SAE J1772 State C.

3.5.1 Measured Idle Mode power (P_{IDLE}) for Level 1 and Level 2 EVSE shall be less than or equal to the Maximum Idle Mode Power Requirement (P_{IDLE_MAX}), as calculated per Equation 3, subject to the following requirements.

- i. For products with ABC enabled by default, the average Idle Mode power in high and low illuminance conditions shall be used in place of P_{IDLE} , above.
- ii. For products capable of network connection with multiple protocols (e.g., Wi-Fi and Cellular), only the allowance for the protocol enabled during testing shall be claimed.

Equation 3: Calculation of Maximum Idle Mode Power Requirement

$$P_{IDLE_MAX} = (0.4 \times \text{Max Current}) + 4 + P_{WAKE} + P_{AUX}$$

Where:

- P_{IDLE_MAX} is the Maximum Idle Mode Power Requirement, in watts;
- Max Current is the Nameplate Maximum Output Current, in amperes;
- P_{WAKE} is the Idle Mode power allowance for the network connection with wake capability enabled during testing listed in Table 4; and
- P_{AUX} is the sum of Idle Mode power allowance for auxiliary features enabled during testing listed in Table 4.

Table 4: Idle Mode Power Allowances

Product Function	Idle Mode Power Allowance (watts, rounded to the nearest 0.1 W for reporting)
In-use Wi-Fi or Ethernet Interface with Wake Capability (P_{WAKE})	$\frac{1.0}{n}$, Where: • n is the number of outputs.
In-use Cellular with Wake Capability (P_{WAKE})	$\frac{2.0}{n}$, Where: • n is the number of outputs.
Other In-use LAN (Local Area Network) Interface with Wake Capability (P_{WAKE})	$\frac{1.0}{n}$, Where: • n is the number of outputs.

Product Function	Idle Mode Power Allowance (watts, rounded to the nearest 0.1 W for reporting)
Auxiliary Features (P_{AUX})	<ul style="list-style-type: none"> • In-use high resolution display: $[(4.0 \times 10^{-5} \times \ell \times A) + 119 \times \tanh(0.0008 \times [A - 200.0] + 0.11) + 6.0] / n$ <p><i>Where:</i></p> <ul style="list-style-type: none"> ○ A is the Screen Area in square inches; ○ ℓ is the Maximum Measured Luminance of the Display in candelas per square meter, as measured in Section 4) C) of the ENERGY STAR Test Method for Determining Electric Vehicle Supply Equipment Energy; ○ \tanh is the hyperbolic tangent function; and ○ n is the number of outputs. <p>Example: For a single-output EVSE with a maximum measured luminance of 300 candelas/m² and a 5×5-inch screen, the allowance for the in-use display would be 2.7 watts.</p> • In-use speaker: 1W • In-use PLC boards: 1W per port • In-use credit card reader: 5W • In-use RFID systems: 1.5W • In-use RGM: 1W • In-use Occupancy Sensing (Camera, Proximity Sensor etc.): 1.5W

3.6 No Vehicle Mode Requirements for DC-output EVSE

Note: These requirements refer to SAE J1772 State A (No Vehicle Mode).

3.6.1 Measured No Vehicle Mode Power ($P_{NO_VEHICLE}$) shall be less than or equal to the Maximum No Vehicle Mode Power ($P_{NO_VEHICLE_MAX}$) as calculated per Equation 4, subject to the following requirements.

- i. For products with ABC enabled by default, the average No Vehicle Mode power in high and low illuminance conditions shall be used in place of $P_{NO_VEHICLE}$, above.
- ii. For Distributed Product Configuration DC-output EVSE, No Vehicle Mode Power shall be tested and reported for the Minimum Distributed Product Configuration.

Equation 4: Calculation of Maximum No Vehicle Mode Requirement for DC-output EVSE

$$P_{NO_VEHICLE_MAX} = (35.6 \times \ln(\text{Max Power})) - 54.3 + P_{DISPLAY} + P_{BMS}$$

Where:

- $P_{NO_VEHICLE_MAX}$ is the Maximum No Vehicle Mode Power Requirement, in watts;
- Max Power is the Nameplate Maximum Output Power, in kilowatts;
- $P_{DISPLAY}$ is the No Vehicle Mode power allowance for a High-Resolution Display enabled during testing listed in Table 5; and
- P_{BMS} is the No Vehicle Mode power allowance for a battery management system in EVSE with integrated battery pack that cannot be disabled during testing.

Table 5: No Vehicle Mode Power Allowances for DC-output EVSE

Product Function	No Vehicle Mode Power Allowance (watts, rounded to the nearest 0.1 W for reporting)
In-use High Resolution Display ($P_{DISPLAY}$)	$[(4.0 \times 10^{-5} \times \ell \times A) + 119 \times \tanh(0.0008 \times [A - 200.0] + 0.11) + 6.0]$ <p><i>Where:</i></p> <ul style="list-style-type: none"> • A is the Screen Area in square inches; • ℓ is the Maximum Measured Luminance of the Display in candelas per square meter, as measured in Section 4) C) of the ENERGY STAR Test Method for DC-output EVSE • <i>tanh</i> is the hyperbolic tangent function <p>Example: For a single-output EVSE with a maximum measured luminance of 300 candelas/m² and a 5×5-inch screen, the allowance for the in-use display would be 2.7 watts.</p>
Battery Management System (P_{BMS})	15 W for DC EVSE with integrated battery that cannot be disabled.

3.7 Partial On Mode Requirements for DC-output EVSE

Note: These requirements refer to SAE J1772 State B1 or B2 (Partial On Mode).

3.7.1 Partial On Mode Power ($P_{PARTIAL_ON}$) for DC-output EVSE shall be less than or equal to the Maximum Partial On Mode Power ($P_{PARTIAL_ON_MAX}$) as calculated per Equation 5, subject to the following requirements.

- i. For products with ABC enabled by default, the average Partial On Mode power in high and low illuminance conditions shall be used in place of $P_{PARTIAL_ON}$, above.
- ii. For Distributed Product Configuration DC-output EVSE, Partial On Mode Power shall be tested and reported for the Minimum Distributed Product Configuration.

Equation 5: Calculation of Maximum Partial On Mode Requirement for DC-output EVSE

$$P_{PARTIAL_ON_MAX} = (35.6 \times \ln(\text{Max Power})) - 54.3 + P_{DISPLAY} + P_{BMS}$$

Where:

- $P_{PARTIAL_ON_MAX}$ is the Maximum Partial On Mode Power Requirement, in watts;
- Max Current is the Nameplate Maximum Output Power, in kilowatts;
- $P_{DISPLAY}$ is the Partial On Mode power allowance for a High-Resolution Display enabled during testing listed in Table 6; and
- P_{BMS} is the Partial On Mode power allowance for a battery management system in EVSE with integrated battery pack that cannot be disabled during testing.

Table 6: Partial On Mode Power Allowances for DC-output EVSE

Product Function	Partial On Mode Power Allowance (watts, rounded to the nearest 0.1 W for reporting)
In-use High Resolution Display ($P_{DISPLAY}$)	$[(4.0 \times 10^{-5} \times \ell \times A) + 119 \times \tanh(0.0008 \times [A - 200.0] + 0.11) + 6.0]$ <p><i>Where:</i></p> <ul style="list-style-type: none"> • A is the Screen Area in square inches; • ℓ is the Maximum Measured Luminance of the Display in candelas per square meter, as measured in Section 4) C) of the ENERGY STAR Test Method for DC-output EVSE; • \tanh is the hyperbolic tangent function; <p>Example: For a single-output EVSE with a maximum measured luminance of 300 candelas/m² and a 5×5-inch screen, the allowance for the in-use display would be 2.7 watts.</p>
Battery Management System (P_{BMS})	15 W for DC EVSE with integrated battery that cannot be disabled.

3.8 Operation Mode Requirements for DC-output EVSE

3.8.1 Average loading-adjusted efficiency (Eff_{AVG}) for DC-output EVSE with output power less than or equal to 65 kW, as calculated per Equation 7, shall be greater than or equal to the Minimum Average Efficiency (Eff_{AVG_MIN}) in Table 7. The average loading-adjusted efficiency for DC-output EVSE with output power greater than 65 kW shall be reported.

- i. For Distributed Product Configuration DC-output EVSE, average loading-adjusted efficiency shall be tested and reported for the Minimum Distributed Product Configuration.

3.8.2 The efficiency at each loading condition (Eff_i) shall be calculated per Equation 6.

Equation 6: Calculation of Efficiency at Loading Condition i

$$Eff_i = 0.15 \times Eff_{i,20F} + 0.75 \times Eff_{i,68F} + 0.10 \times Eff_{i,104F}$$

Where:

- $Eff_{i,20F}$ is the recorded efficiency at loading condition i at the 20°F ambient test temperature.
- $Eff_{i,68F}$ is the recorded efficiency at loading condition i at the 68°F ambient test temperature.
- $Eff_{i,104F}$ is the recorded efficiency at loading condition i at the 104°F ambient test temperature.

3.8.3 The average loading-adjusted efficiency (Eff_{AVG}) shall be calculated per Equation 7.

Equation 7: Calculation of Average Loading-Adjusted Efficiency

$$Eff_{AVG} = 0.02 \times Eff_{25\%} + 0.11 \times Eff_{50\%} + 0.09 \times Eff_{75\%} + 0.78 \times Eff_{100\%}$$

Where:

- $Eff_{25\%}$ is the efficiency at the 25% loading condition (Loading Condition 1 per Table 3 of the ENERGY STAR Test Method), expressed as an integer from 0 to 1, calculated per Equation 6;
- $Eff_{50\%}$ is the efficiency at the 50% loading condition (Loading Condition 2 per Table 3 of the ENERGY STAR Test Method), expressed as an integer from 0 to 1, calculated per Equation 6;
- $Eff_{75\%}$ is the efficiency at the 75% loading condition (Loading Condition 3 per Table 3 of the ENERGY STAR Test Method),

expressed as an integer from 0 to 1, calculated per Equation 6;
and

- $Eff_{100\%}$ is the efficiency at the 100% loading condition (Loading Condition 6 per Table 3 of the ENERGY STAR Test Method), expressed as an integer from 0 to 1, calculated per Equation 6.

Table 7: Minimum Average Loading-Adjusted Efficiency requirement for DC-output EVSE with output power \leq 65 kW

Minimum Average Efficiency (Eff_{AVG_MIN})
0.93

3.9 Additional Reporting Requirements

- 3.9.1 Report the measured Idle Mode Power for DC-output EVSE per the ENERGY STAR DC-output EVSE Test Method.

3.10 Connected Functionality

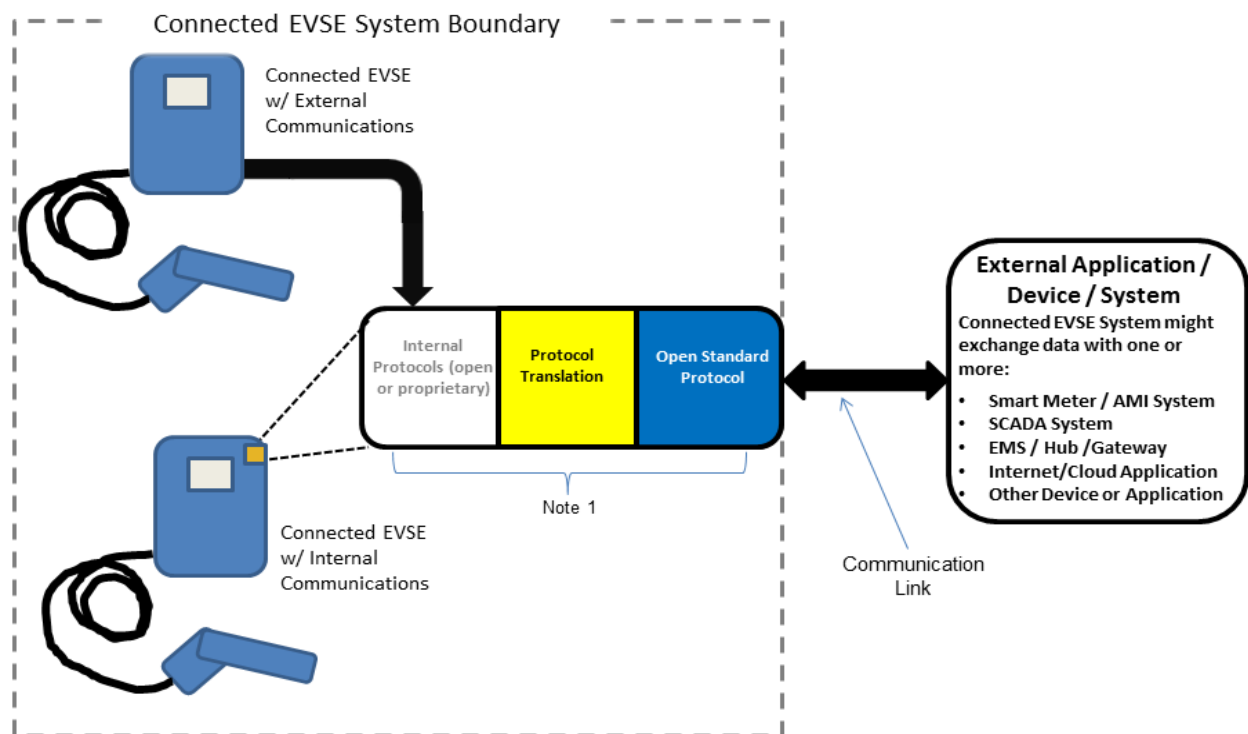
This section includes connected criteria for ENERGY STAR certified EVSE. Compliance with this section is optional. EVSE that comply with all connected criteria will be identified on the ENERGY STAR website as having ‘Connected’ functionality. EPA does not have a test method for compliance to this section. At this time, EPA intends compliance with this criterion be confirmed through documentation with the certification body.

Note: EPA recommends that, once DR capability is added, the EVSE be capable of directly or indirectly supporting both signals-based DR, as well as price response. As appropriate, EPA further encourages connected functionality that enables direct control by the Load Management Authority as well as integration with commercial EVSE management applications and/or energy management systems. Brand owners are encouraged to engage with utilities to ensure DR capabilities align with utility needs and DR program designs.

A. Connected Product Definitions:

- 3.10.1 Demand Response (DR): Changes in electric usage by demand-side resources from their normal consumption patterns in response to changes in the price of electricity over time, or to incentive payments designed to induce lower electricity use at times of high wholesale market prices or when system reliability is jeopardized⁹.
- 3.10.2 Demand Response Management System (DRMS): The system operated by a program administrator, such as the utility or third party, which dispatches signals with DR instructions and/or price signals to the ENERGY STAR EVSE and receives messages from the EVSE.
- 3.10.3 EVSE System: As shown in Figure 3, it includes the ENERGY STAR certified EVSE, integrated or separate communications hardware, and additional hardware and software required to enable connected functionality.
- 3.10.4 Load Management Entity: DRMS, home energy management system, etc.

⁹ Federal Energy Regulatory Commission, <https://www.ferc.gov/industries/electric/indus-act/demand-response/dr-potential.asp>



Note: Communication device(s), link(s) and/or processing that enables Open Standards-based communication between the EVSE and external application / device / system(s). These elements, either individually or together, could be within the EVSE, and/or an external communication module, a hub/gateway, or in the Internet/cloud.

Figure 3: Connected EVSE System

3.10.5 Open Standards: Standards that are:

- i. Included in the Smart Grid Interoperability Panel (SGIP) Catalog of Standards,¹⁰ and/or
- ii. Included in the National Institute of Standards and Technology (NIST) Smart Grid framework Tables 4.1 and 4.2,¹¹ and/or
- iii. Adopted by the American National Standards Institute (ANSI) or another well-established international standards organization such as the International Organization for Standardization (ISO), International Electrotechnical Commission (IEC), International Telecommunication Union (ITU), Institute of Electrical and Electronics Engineers (IEEE), or Internet Engineering Task Force (IETF).

B. Communications:

3.10.6 Grid Communications: The product shall include a communication link that is capable of bi-directional data transfer between the EVSE and one or more external applications, devices, or systems. This link shall use open standards, as defined in this specification, for all communication layers.

Note: The communication device(s), link(s) and/or processing that enables Open Standards-based communication between the EVSE and external application / device / system(s) either individually

¹⁰ http://collaborate.nist.gov/twiki-sggrid/bin/view/SmartGrid/PMO#Catalog_of_Standards_Processes

¹¹ http://www.nist.gov/smartgrid/upload/NIST_Framework_Release_2-0_corr.pdf

or together, could be within the EVSE, and/or an external communication module, a hub/gateway, or on the Internet/cloud.

- i. Products that include a communication link that uses Open Charge Point Protocol (OCPP) also comply with this criterion.

Note: Effective November 24, 2015, OCPP is being developed by Open Charge Alliance as the Standard Development Organization with a goal of integrating OCPP with the International Electrotechnical Commission (IEC) framework¹². EPA is proposing to include OCPP since it is widely used and is in the process of being established as an open standard.

- ii. In the absence of OCPP, the EVSE shall meet the communication and equipment performance standards for SEP 2.0, CTA-2045, and/or OpenADR 2.0.
- iii. It is mandatory to report whether the EVSE has the transceiver and/or necessary hardware to support smart charging for energy management (i.e., beyond simple managed charging with pulse width modulation or CAN bus) using any of the following station-to-vehicle protocols: ISO 15118-2 or later, SAE J1772, IEC 61851-1 or CHADEMO 2.0.

3.10.7 Open Access: To enable interconnection with the product over the communication link, an interface specification, application programming interface (API) or similar documentation that is intended to enable DR functionality shall be made readily available.

Note: Products that enable direct, on-premises, open-standards based interconnection are preferred, but alternative approaches, where open-standards connectivity is enabled only with use of off-premise services, are also acceptable.

3.10.8 PLC board (ISO 15118): The EVSE shall have the necessary hardware that supports the following functionality as defined by the CALeVIP¹³ and clearly document this in product manual and/ or technical specification sheets with PLC board schematics and an explanation of how solutions are integrated into the EVSE to meet the requirements of the smart charging standard.

- i. Powerline carrier (PLC) based high-level communication as specified in ISO 15118-3.
- ii. Secure management and storage of keys and certificates.
- iii. Transport Layer Security (TLS) version 1.2; additional support for TLS 1.3 or subsequent versions is recommended to prepare for future updates to the ISO 15118 standard.
- iv. Remotely receiving updates to activate or enable ISO 15118 use cases.
- v. Connecting to a back-end network.

C. Connected EVSE Product Requirements:

The following capabilities shall be enabled through EVSE. The EVSE product shall maintain these capabilities through subsequent software and firmware changes.

3.10.9 Scheduling: The EVSE must provide the ability for consumers to set and modify a schedule.

3.10.10 Remote Management: The product shall be capable of receiving and responding to consumer authorized remote requests (not including third-party remote management which may be made available solely at the discretion of the manufacturer), via a communication link, similar to consumer controllable functions on the product.

3.10.11 Consumer Feedback: The EVSE shall be capable of providing at least two types of messages relevant to optimizing its energy consumption, either:

¹² <http://www.openchargealliance.org/news/announcement/>

¹³ CALeVIP, [Golden State Priority Project | CALeVIP](#)

- i. In the car, on the product (e.g., EVSE display), control application (e.g., app on smartphone), and/or
- ii. Transmitted to consumers and consumer authorized third parties via a communication link. This link can include open standards protocols used for Demand Response or could use a secondary communication link.

3.10.12 Consumer Override: The vehicle, EVSE, or consumer may override the EVSE's response to a DR request or override any current or scheduled events to preserve safety or user experience. The consumer shall be able to override the EVSE's response to a DR request via the EVSE, its control application (e.g., app on smartphone), or via the vehicle user interface. If an override occurs, the EVSE shall send a message to the load management entity via the open standards protocols used for Demand Response.

3.10.13 Loss of Connectivity: A 'loss of connectivity' event is defined as 5 consecutive polling events (if applicable) from the DRMS not responded to by the EVSE, or vice versa or 10 minutes without connection whichever is shorter.

Note: DR program implementation may set the polling time interval, so the elapsed time for a 'loss of connectivity' event may vary.

- i. If a 'loss of connectivity' event occurs while processing a DR event with a set duration or end time, product may complete the DR event as planned, returning to normal operation as set by the customer afterwards, or if over-ridden.
- ii. If a 'loss of connectivity' event occurs while processing a DR event without a set duration or end time, the product will resume normal operation within 30 minutes.

D. DR Requests and Responses:

The EVSE shall support the following open standard defined DR signals.

3.10.14 Operational Mode Functionality:

- **Charge now (Load Up)**: If a vehicle is plugged in and it is not fully charged, EVSE will begin charging the vehicle, continuing as normal until the vehicle is fully charged. For use in a case where the scheduling of charging occurs outside of the product, the EVSE service provider has no control over the charging schedule. Both immediate events and events scheduled in advance will be supported.
- **Curtail Charge**: The EVSE will not begin or continue charging at greater than 50% of its maximum rated output power. Both immediate events and events scheduled in advance will be supported.
- **Delay Charge**: The EVSE will not begin or continue charging. Both immediate events and events scheduled in advance will be supported.
- **Return to Normal Operation**: The EVSE will return to default standby mode.

4 TESTING

4.1 Test Methods

4.1.1 Test methods identified in Table 8 shall be used to determine certification for ENERGY STAR.

Table 8: Test Methods for ENERGY STAR Certification

Product Type	Test Method
Level 1 and Level 2 Electric Vehicle Supply Equipment	ENERGY STAR Level 1 and Level 2 Electric Vehicle Supply Equipment Test Method (Rev. Apr-2017)
DC-output Electric Vehicle Supply Equipment	ENERGY STAR DC-output Electric Vehicle Supply Equipment Test Method (Rev. Mar-2021)
Electric Vehicle Supply Equipment with Display	ENERGY STAR Displays Test Method (Rev. Sep-2015)
Electric Vehicle Supply Equipment with Full Network Connectivity	Section 6.7.5.2 of Consumer Electronics Association (CEA) 2037-A, Determination of Television Set Power Consumption

4.2 Number of Units Required for Testing

4.2.1 Representative Models shall be selected for testing per the following requirements:

- i. For certification of an individual product model, the Representative Model shall be equivalent to that which is intended to be marketed and labeled as ENERGY STAR.
- ii. For certification of a Product Family, the highest energy using model within that Product Family must be tested and serve as the Representative Model. Models within a Product Family may have multiple rated output currents; however, the highest consuming model shall be tested, and all models within the certified family shall meet all requirements for certification to this specification. In the case of multi-output units, testing shall be conducted with all the outputs populated and any lesser configurations would be able to be certified.
- iii. Products tested with networking capabilities shall have a connection enabled during testing per Section 4.1B of the AC and DC EVSE Test Methods. However, if the model is available without networking capability, this variation shall meet the requirements of this specification without respective network allowances in order to be certified within the same Product Family as the network capable model.
- iv. Any subsequent testing failures (e.g., as part of verification testing) of any model in the family will have implications for all models in the family.

4.2.2 A single unit of each Representative Model shall be selected for testing.

4.2.3 All units/configurations for which a Partner is seeking ENERGY STAR certification, must meet the ENERGY STAR requirements. However, for DC-output EVSE only, if a Partner wishes to certify configurations of a model for which non-ENERGY STAR certified alternative configurations exist, the Partner must assign the certified configurations an identifier in the model name/number that is unique to ENERGY STAR certified configurations. This identifier must be used consistently in association with the certified configurations in marketing/sales materials and on the ENERGY STAR list of certified products (e.g., model A1234 for baseline configurations and A1234-ES for ENERGY STAR certified configurations).

Note: There may be cases—as described in the paragraph above—where not all units/configurations will meet ENERGY STAR requirements. If so, the worst-case configuration for the test will be the worst-case certified configuration, and not one of the presumably even higher energy consuming non-certified configurations.

Note: Partner must ensure that all configurations certified as ENERGY STAR continue to meet the 204 certification criteria through subsequent firmware, software, or other changes to the certified product.

5 EFFECTIVE DATE

- 5.1.1 **Effective Date:** The Version 1 ENERGY STAR Electric Vehicle Supply Equipment specification shall take effect December 12, 2016. To certify for ENERGY STAR, a product model shall meet the ENERGY STAR specification in effect on the model's date of manufacture. The date of manufacture is specific to each unit and is the date on which a unit is considered to be completely assembled.
- 5.1.2 **Future Specification Revisions:** EPA reserves the right to change this specification should technological and/or market changes affect its usefulness to consumers, industry, or the environment. In keeping with current policy, revisions to the specification are arrived at through stakeholder discussions. In the event of a specification revision, please note that the ENERGY STAR certification is not automatically granted for the life of a product model. Considerations for future revisions include:
- i. EPA will continue to monitor the market for wireless EVSE and evaluate the opportunity to differentiate such products based on energy performance. Should the potential for significant energy savings exist among these products, EPA will consider expanding the scope of this EVSE specification to include them in a future revision. The UL 2750 and SAE J2954 standards define acceptable criteria for testing wireless power transfer (WPT) in light-duty plug-in electric vehicles and would be relevant should EPA address wireless charging in future specifications.
 - ii. EPA will consider including operation mode criteria for DC-output EVSE with a rated output greater than 65 kW in the future when data is more readily available.
 - iii. EPA will continue to monitor the development of energy management equipment safety standards such as UL 916 wherein devices respond to signals from utilities. When opportunities arise, EPA will encourage their use through requirements in future specifications.
 - iv. EPA will assess the power draw associated with different network protocols to determine if it may be necessary to test all connections in the future. In addition, EPA will consider how to appropriately encourage the powering down of certain features (e.g., network connectivity, in-use display) to a lower power state when there is no user activity. For DC-output EVSE, this includes the amount of time spent in Idle Mode before and after a charging session.
 - v. EPA will consider amending the test method for Level 1 and Level 2 models with ABC enabled by default to require illuminance conditions greater than 300 lux that would better represent typical outdoor conditions.
 - vi. EPA will continue to monitor development of ISO 15118 standard and harmonize with the National Electric Vehicle Infrastructure Standards and Requirements as the market evolves.

APPENDIX A: DEMAND RESPONSE MESSAGE MAPPING

This Appendix is informational only. It provides a useful framework for aligning the requirements in section 3.10 C and the signals identified in section 3.10.14 with the CTA-2045, OpenADR 2.0b, and OCPP 1.6 and 2.0.1 operational states. Not every response listed below may be required.

Category	Sub-type	Demand Response Messaging	Response Result	ANSI/CTA (2045)	OpenADR (2.0b)	OCPP 1.6	OCPP2.0.1	
Signals	Curtail Charge	General Curtailment	Don't begin or continue charging above 50% rated output power	Shed ¹⁴	oadrDistributeEvent: CHARGE_STANTE. ¹⁵	SetChargingProfile ¹⁶	SetChargingProfile ¹⁷	
	Charge Now	Load Up	Begin charging immediately (if possible)	End device should run and continue as possible without wasting energy. Opposite of Shed ¹⁴	oadrDistributeEvent: LOAD_DISPATCH.	SetChargingProfile (w/ limit >0)	SetChargingProfile (w/ limit >0)	
	Run Normal	Return to Normal Operation	Return to Standby mode	End Shed / Run Normal ¹⁴	oadrDistributeEvent: CANCELLED.	ClearChargingProfile	ClearChargingProfile	
	Delay Charge	Delay Charge	Delay charging	Pending Event Time		oadrDistributeEvent: LOAD_CONTROL.	SetChargingProfile	SetChargingProfile
		Off Mode	Turn off (if possible)	Grid Emergency		oadrDistributeEvent: SIMPLE level 3.	SetChargingProfile (Limit: 0)	SetChargingProfile (Limit: 0)

¹⁴ CTA Reference {CTA 2045: Table 8-2}

¹⁵ ADR Reference {Section 8.1, OpenADR 2.0b EiEvent Service; Figures 4 & 5, EiEvent Patterns; Section 8.2.2, OpenADR 2.0b Signal Definitions; Table 1, Signals }

¹⁶ OCPP Reference {Section Messages, OCPP 1.6 edition 2 final, 2017-9-28}

¹⁷ OCPP Reference {Section Messages, OCPP 2.0.1- Open Charge Alliance. 2019; Part 2- Specification}

	Real Time / Device Logic	Real Time System Load	Use / do not use energy when appropriate (follow programming)	Request for Power Level [8.2.1]	N/A	MeterValue (Measurand: Current.Offered or Power.Offered)	TransactionEventRequest (Measurand: Current.Offered or Power.Offered)
		Utility Peak Load Price Signal		Present Relative Price, 9.1.3	oadrDistributeEvent: ELECTRICITY_PRICE.	(No OCPP message available for this type of price signal)	(No OCPP message available for this type of price signal)
		Excess Capacity (DER)		Grid Guidance	N/A	N/A	N/A
Device Properties & Enrollment	Opt Out	Consumer Override	End user device follows user inputs when overridden	Part of Operational State Query/ Response when overridden or in receipt of load reduction message ¹⁴	oadrCreateOpt: device sends upstream opt message. ¹⁸	Opt-out: ClearCharging Profile Opt-in: SetChargingProfile	Opt-out: ClearChargingProfileError! Bookmark not defined. Opt-in: SetChargingProfile ¹⁶
	Dev. Info	Device Information	Indicates all mandatory information in Get Info payload	Device Information Request	Ei:eiTargetType (endDeviceAsset)	GetConfiguration	GetBaseReport OR GetVariables
	Status	State Reporting Requirements	Provide state information to requestor	Operational State Query (8.2.4)	EiReport. oadrPayloadResourceStatus	StatusNotification	StatusNotification AND/OR NotifyEvent
Device Energy	Energy	Power (Instantaneous)	Demand of product (W)	GetCommodity Read, code 0	oadrPayloadResourceStatus: energyReal	MeterValues	TransactionEventRequest OR MeterValuesRequest
		Energy (Cumulative)	Energy used by product (kWh)	GetCommodity Read, code 0	oadrPayloadResourceStatus: energyReal		

¹⁸ ADR Reference {Section 8.5, OpenADR 2.0b EiOpt Service; Figure 17, Interaction Diagram: Create Opt}

Informational Appendix – EVSE Communication

Managed charging has many benefits if used in the right way. These benefits include increased savings, improved efficiency, and renewable integration. There are different entities involved in the managed charging infrastructure. These include the following:

1. Utility
2. Smart Meter
3. Network Service Provider/ Aggregators
4. Electric Vehicle Supply Equipment
5. Electric Vehicle

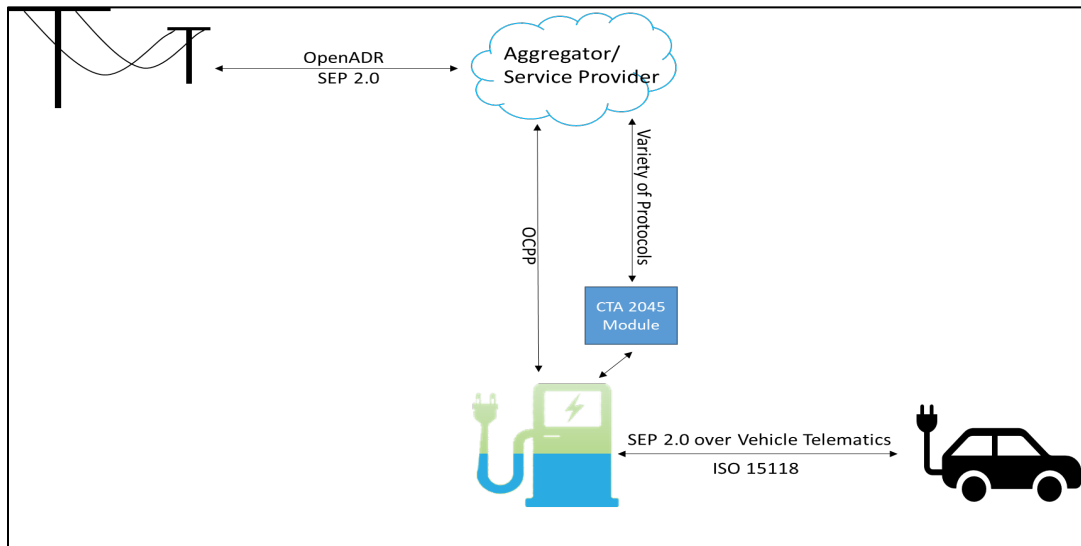


Figure 1: Open Protocols based EV Charging Example Architecture

The managed charging infrastructure involves communication between different entities and requires the use of a combination communication protocols. These include both application layer protocols (also referred to as the messaging protocols) and transport layer protocols. The main function of messaging protocols is to carry specific instructions to the individual entities but are independent of how they are carried. An example of a messaging protocol is: 'Charge only if the battery State of Charge (SOC) drops below 50%'. On the contrary, transport layer protocols ensure the delivery of a message from one point to another over a specific medium such as cellular or internet. Some standards include both application as well as transport layer protocols.

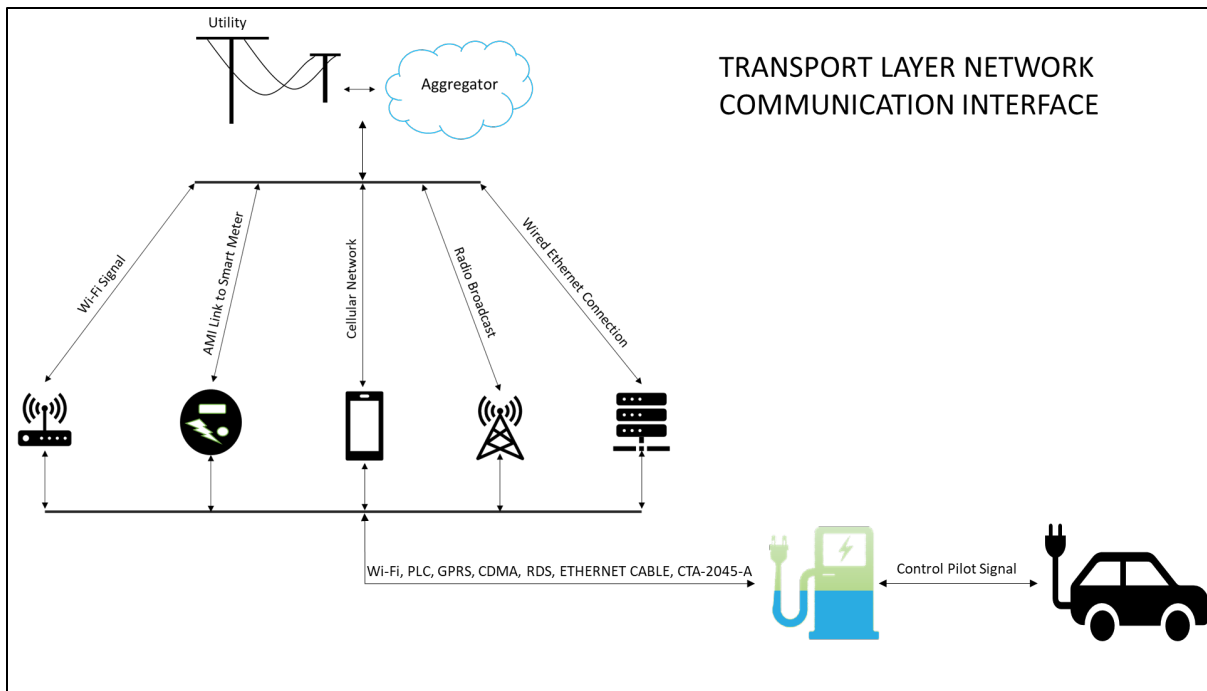


Figure 2: EV Charging Infrastructure Network Communication Interface Options

There are multiple options for transport and messaging layers, covering various links in the communication chain. Many options overlap, having both transport and messaging layer standards, and potentially covering more than one link.

Transport layer communication can be conducted via either a wired or wireless medium. The different transport layer protocols in the Managed Charging infrastructure include the following:

1. Ethernet
2. Wi-Fi
3. Power Line Carrier (Zigbee or HomePlug Green PHY)
4. AMI
5. Mobile Communication (GSM, CDMA, GPRS)
6. Radio Data Systems (RDS)

Messaging protocols can be proprietary or open standard based. EPA requires the use of open standards-based communication. However, the messaging protocols are specific to communication between entities and vary depending on the domain. It is possible to pair several communication protocols to achieve desired results.

Note that managed charging is a balance between grid needs and the needs of the vehicle operator. In general, the utility or aggregator will have the best understanding of grid needs, while the vehicle or EVSE service provider will have the best understanding of how much charge the vehicle needs, and how soon. The optimal balance of these needs can be found if there is a single entity with both pieces of information. For this to occur, either the charger and vehicle need to use a rich communication protocol such as ISO 15118, or information will need to be transferred between the utility/aggregator and an EV service provider that has information from the vehicle. The CTA-2045 module can either contain an OpenADR 2.0 VEN, or not making it possible to use different protocols in parallel to achieve managed charging. Some communications between the EVSE and Utility or the aggregator could include CTA-2045 for a part of its transport and messaging layers.

CTA-2045: CTA-2045 identifies the physical and data-link characteristics of the interface, along with certain higher-layer and application layer elements as needed to assure interoperability over a broad range of device capabilities.¹⁹ Defines the communication between an end use device and a module which plugs into a physical port on the device. The module may support a variety of transport and application layer protocols. This allows EVSE manufacturers to supply a port rather than an end-to-end solution, and utilities to be entirely in control of the infrastructure for communications from the home to their DRMS, using their choice of communications protocol – or several.

The table below shows some of the open standard messaging protocols that can be used between different entities. Please note that this table is for representative purposes only. EPA encourages the use of different architectures for enhanced savings.

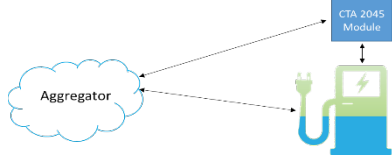
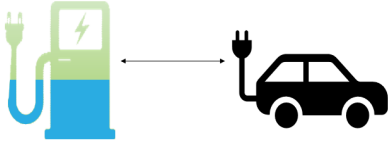
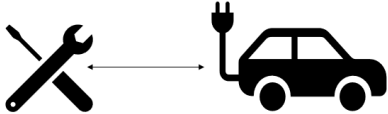
	<ol style="list-style-type: none"> 1. SEP 2.0 (IEEE 2030.5) 2. OCPP 1.6, 2.0 3. OpenADR 2.0* 4. CTA-2045* <p>*Used for Managed Charging Particularly</p>
	<ol style="list-style-type: none"> 1. ISO/ IEC 15118 2. SEP 2.0 (IEEE 2030.5)
	<ol style="list-style-type: none"> 1. Vehicle Telematics (Proprietary Protocol) 2. SEP 2.0 (IEEE 2030.5)

Table 1: Open Standards Protocols for Managed EV Charging

The different open standards protocols are as follows:

1. **OCPP 1.6, 2.0:** The Open Charge Alliance developed the OCPP protocol to foster global development, adoption, and compliance of communication protocols in the EV charging infrastructure. It is used for effective communication between the EVSE and the Aggregator. It includes Smart Charging support for load balancing and use of charging profiles. Compared to the version 1.6 there are significant updates to version 2.0 including Device management, Improved transaction handling, support for ISO 15118 among many others.²⁰ OCPP is often used for financial transactions involved in charging, and for that reason is already included in many chargers located in public spaces, and some in private homes as well.
2. **OpenADR 2.0:** OpenADR is an open, highly secure, and two-way information exchange model and global Smart Grid standard. The OpenADR Alliance manages the Open Automated Demand Response for communication between Virtual top nodes and the Virtual end nodes over the IP network. It helps organizations all over the world standardize DR and DER communications and processes.²¹ OpenADR only covers the application layer and therefore does not by itself fully define

¹⁹ Consumer Technology Association, https://standards.cta.tech/apps/group_public/project/details.php?project_id=192

²⁰ Open Charge Alliance, <https://www.openchargealliance.org/>

²¹ openADR Alliance, <https://www.openadr.org/overview>

an open protocol-based DR architecture. Virtual top nodes and virtual end nodes can be in the cloud or located in specific devices.

3. **IEEE 2030.5 or SEP 2.0:** Application layer protocol that defines messages between any client/server. Includes support for demand response, distributed energy resource (DER), metering, pricing, client authentication/authorization and other related applications. Default protocol for California Rule 21 DER communications. Protocol utilized for SAE J2847 AC messaging between EVSE and EV.²²
4. **ISO/ IEC 15118:** ISO 15118 specifies the communication between Electric Vehicles, including Battery Electric Vehicles and Plug-In Hybrid Electric Vehicles, and the Electric Vehicle Supply Equipment. Includes support for EV authentication/authorization (Plug and Charge), metering and pricing messages. Protocol utilized for SAE J2847 DC messaging.³ Widely adopted in Europe, it is not yet commonplace in the US but is included in the future plans of many vehicle and charger manufacturers for the US market.
5. **Vehicle Telematics:** Many vehicles that are available in the market today have onboard diagnostics and telematics systems with connected capabilities allowing managed charging depending on the grid load. Many vehicles have on board battery management systems allowing the vehicle owner to align with time-of-use charging or other EV rates.²³

²² CPUC Vehicle Grid Integration Communications Protocol Working Group VGI Glossary of Terms, <https://www.cpuc.ca.gov/vgi/>

²³ Smart Electric Power Alliance, A Comprehensive Guide to Electric Vehicle Managed Charging, <https://sepapower.org/resource/a-comprehensive-guide-to-electric-vehicle-managed-charging/>