

SKID STEER LOADERS AND COMPACT TRACK LOADERS

L316 | L318 | L320 | L321 | L328 | L334

C327 | C332 | C334 | C337 | C345



Meet your challenges head-on.

It's no easy task to run a farm, manage multiple jobsites, schedule around unpredictable weather or find top-notch equipment operators — let alone ensure a strong profit margin. But somehow, you find ways to meet these challenges every day and succeed.

At New Holland, we're right there with you, whatever the job. We're committed to helping you meet your challenges head-on by building best-in-class equipment, integrating continuous improvements into every machine and providing a strong, trusted support network.

The new line of 300 Series skid steer loaders and compact track loaders makes good on this commitment. These 60 to 90 gross HP loaders deliver incomparable New Holland performance and craftsmanship. Whether you're a farmer, contractor or landscaper, the new 300 Series skid steers and compact track loaders are built to support you and your operation.



Work with proven performance

Some things are a given. New Holland skid steer and compact track loaders are known for delivering outstanding lift and breakout force, rock-solid stability and the industry's best visibility. Their Super Boom® vertical lift linkage provides more dump height and reach—and always has. Operator comfort is second to none, with a cab that simply provides more head and shoulder room to accommodate any operator. And service? It's all about easy access to maintenance points, which reduces downtime and lost revenue.

	MODEL	Gross Horsepower hp (kW)	Rated Operating Capacity @ 50% Tipping Weight lbs (kg)	Operating Weight lbs (kg)	Height to Hinge Pin in (mm)	Dump Reach Maximum Height in (mm)
Radial Lift	L316	60 (45)	1600 (725)	5370 (2430)	112 (2845)	18.5 (469)
	L321	74 (55)	2100 (905)	6970 (3160)	123 (3124)	20.3 (517)
	C327	74 (55)	2700 (1225)	8270 (3750)	125 (3178)	22.3 (566)
	C334	90 (67)	3400 (1542)	10,000 (4536)	126.7 (3218)	24.6 (625)
Super Boom® Vertical Lift	L318	60 (45)	1800 (818)	6230 (2832)	120 (3048)	30.8 (783)
	L320	67 (50)	2000 (905)	6470 (2930)	121 (3073)	29.8 (758)
	L328	74 (55)	2800 (1270)	7895 (3580)	129.5 (3290)	31.9 (810)
	L334	90 (67)	3400 (1542)	9100 (4136)	131.1 (3330)	30.1 (765)
	C332	74 (55)	3200 (1451)	9630 (4370)	131.1 (3330)	37.0 (941)
	C337	74 (55)	3700 (1678)	9945 (4520)	131.1 (3330)	37.0 (941)
	C345	90 (67)	4500 (2041)	10,610 (4813)	131.6 (3344)	31.6 (802)

Enjoy every enhanced detail

In the 300 Series, we're building on the strength of the 200 Series and then ratcheting up key enhancements throughout. Seemingly small upgrades to key components and systems improves overall operation. HVAC hoses are now steel-braided for more durability. The new seat belt buckle offers greater flex for more comfort. Turn signals are integrated into the light bar for better on-road safety. Bluetooth radio is standard. Thicker seals in the clean-out area keep out dirt. Straight-line tracking is even better, with deviation reduced to 2 ft. over 100 ft. of travel and less need for manual adjustment. This allows you to maintain a straighter travel and working path when working with attachments. For even more productivity, available creep mode lets you trench, cold-plane or cut brush with greater precision at slower speeds.



More information, more visibility

The new, customizable eight-inch LCD display with an integrated back-up camera gives you a quick, convenient look at engine settings and performance information, all while providing even greater visibility to the rear of the 300 Series loader for more efficient, safer operation. In fact, when you combine the display system with the large rear window, low engine hood and no rear frame towers, the 300 Series offers an unprecedented view out the back.

Tough jobs require even tougher equipment.

Every area of a New Holland 300 Series skid steer and compact track loader is designed to make your workday more productive and comfortable. Give one of these loaders a tough job and it'll help you get it done fast.

Finish jobs faster with Super Boom®

The Super Boom® vertical lift linkage provides more dump height and reach, so you can load material into the center of high-sided truck boxes or hoppers. But, it also maximizes visibility, providing a clear view to the cutting edge, to the bucket at full height, and to the sides and rear. Super Boom provides the best of both: more performance and greater visibility all around.

See-through area on the cab roof for a clear view to the bucket at full height

Among the widest cabs in the industry

New integrated turn signals increase road safety, while front halogen lights expand visibility for easier load positioning and maneuverability

Huge glass door for superior visibility to all corners

Lower front door threshold for clear sightline to the loader bucket and trench

Long wheelbase for stability and smooth riding comfort





Enjoy the ride even longer

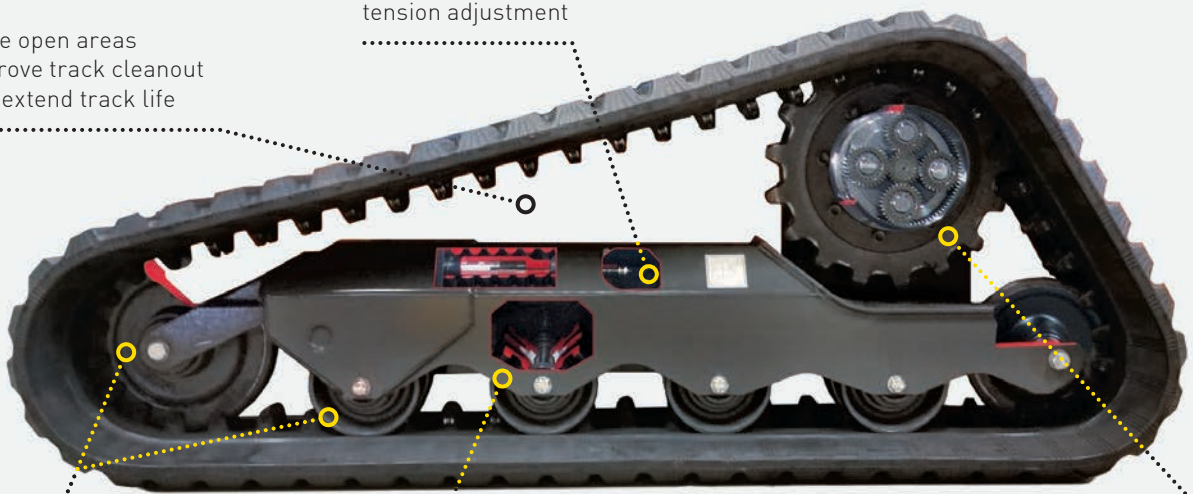
The low-profile track undercarriage on 300 Series compact track loaders eases cleanout, reduces noise and increases durability. It also provides a smoother ride, thanks to steel-embedded tracks rolling on the rubber instead of steel. In addition, fewer moving parts than competitive designs mean less complexity—and complications—which adds up to longer track life.

MODEL	TRACK WIDTH	OVER TRACK WIDTH	GROUND PRESSURE
C327	12.6 in	65.9 in	5.9 psi
C332	17.7 in	76.5 in	4.2 psi
C334	17.7 in	76.0 in	4.4 psi
C337	17.7 in	76.5 in	4.3 psi
C345	17.7 in	76.0 in	4.6 psi

Standard two-speed drive on all compact track loader models

More open areas improve track cleanout and extend track life

Simple hydraulic track tension adjustment



Lifetime sealed and lubricated rollers/idlers reduce maintenance costs

Dozer-style triple flange rollers maintain tracking on inclines

Oversized bearings and a drive assembly that's elevated out of the dirt prolongs life

Get more comfortable, be more productive.

New Holland 300 Series loaders make comfort a priority and, as a result, make you more productive on the job. New features include the eight-inch LCD display with integrated rear camera, improved joystick controls to reduce thumb fatigue, handy Bluetooth radio (system is satellite-radio ready) and a USB port to charge mobile devices. 300 Series loaders also provide automatic straight-line tracking (on EH models only) to improve productivity and precision when working with a trencher or cold planer.



Wide, comfortable cab

The 300 Series cab is one of the widest in the industry. It's easy to enter and exit. Full-covering trim absorbs noise. The visibility panel on the cab roof gives you a clear view in all directions, even to the raised bucket or attachments. The fully sealed and pressurized cab minimizes dust and exhaust infiltration. Seat choices include the optional suspension seat or the heated, composite air-ride seat for maximum support and ultimate comfort. An optional, factory-installed lap bar is offered on all models.



Customized control

New, ergonomically designed joysticks allow for a lower-profile control grip and feature soft buttons to reduce fatigue in the thumbs. New pods positioned below the joysticks provide more room between the operator's knees. Mechanical controls are standard with electro-hydraulic switchable (ISO-H pattern) controls optional on all models. Models built with EH (electro-hydraulic) controls feature multiple speed and sensitivity settings, allowing operators to personalize the controls depending on their preferences. You can adjust armrests up or down, and EH control mounts have both vertical and horizontal adjustment to fit any operator.



New creep mode

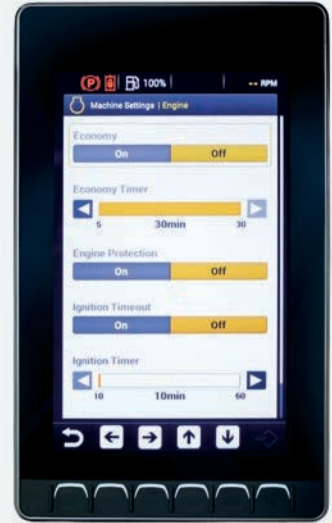
Offering speed thresholds of 1 to 100 increments equally divisible between 0 mph to full single speed, new creep mode (on EH models only) gives you greater control for slow-speed operations such as trenching. For intense load-and-carry operations, the optional Glide Ride feature prevents loads from shifting during transport.

LCD display makes operation easier

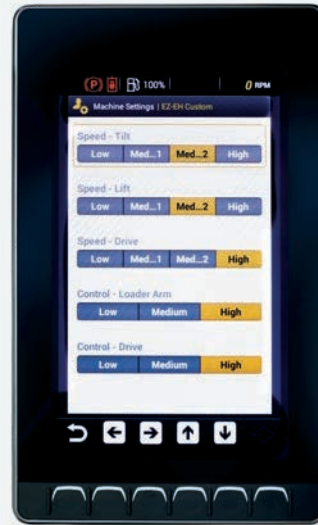
At eight inches and mounted conveniently on the right forward post, the new LCD display puts all the information and tools for greater productivity right where you need it.



The display provides key operation data, including engine and performance information, RPM, fuel level, battery voltage, hydraulic oil temperature, engine temperature, and trip screen.



Engine settings can be viewed at a glance and include Economy Mode, Engine Protection and Ignition Timeout.



The display is easy to navigate and offers simple electro-hydraulic control settings. It's also customizable to an operator's preferences and lets you change settings for seasonal applications.



The integrated back-up camera increases visibility to the rear of the loader, improving operator efficiency and safety. You can set the camera for "always on" or to engage only when shifting the loader into reverse gear.

Power through any job.

300 Series loaders are reliable workhorses that deliver high performance in all conditions. New Holland Tier 4 Final engines not only meet extremely strict emissions requirements that curb airborne nitrogen oxide (NOx) and particulate matter (PM), they also deliver powerful performance, use less fuel and are easy to maintain to decrease your operating costs.



Fast cycle times, smooth operation

The reliable hydraulic system delivers fast cycle times. In-line hydraulic pumps produce less noise and provide extra-smooth operation. Add the optional high-flow hydraulics on all models except the L316 to run attachments hour after hour. The Spring Applied Hydraulic Release (SAHR) parking brake can be released or applied by the press of a button. It's automatically applied when the machine is shut off or when the operator leaves the seat.



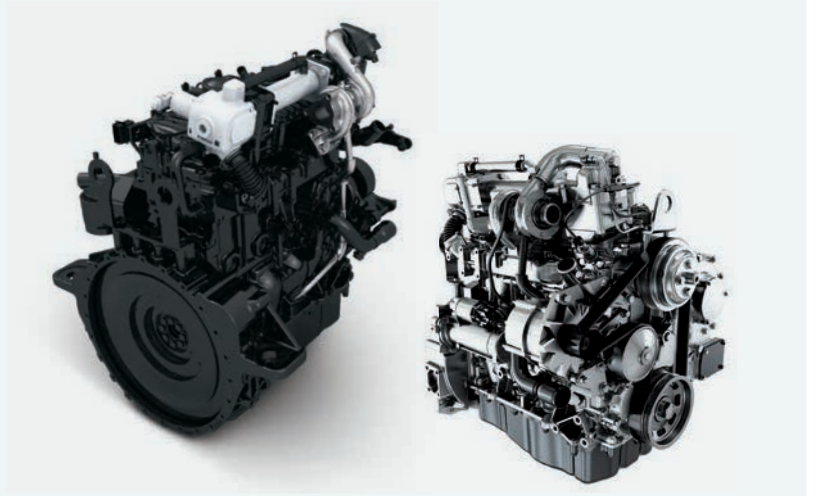
Save time between jobsites

The 300 Series dual-range transmission provides travel speeds in excess of 11 mph (8 mph on compact track loaders) to save time on and between job sites. It is standard on the L320, L321, L328, L334 and all compact track loaders.



FPT F5 engines on the L321, L328, L334, C327, C332, C334, C337 and C345 stand out for their low-cost operation, easy maintenance and excellent performance. They are turbocharged and feature externally cooled EGR (exhaust gas recirculation) for efficient air handling and high engine power density with the shortest load response time. The L334, C334 and C345 use Selective Catalytic Reduction (SCR) using Diesel Exhaust Fluid (DEF). All other machines use a DOC that does not require a Diesel Particulate Filter (DPF).

ISM engines on the L316, L318 and L320 are an energy-saving design that generates low emissions. A high-pressure common-rail (HPCR) system uses cooled exhaust gas recirculation (CEGR) with a diesel oxidation catalyst (DOC) (L318/L320) that doesn't require a filter, resulting in easy maintenance.



Easy access, simplified service.

Easy access makes daily service and maintenance that much easier. Consequently, all daily service points are grouped together, and all major service points can be easily reached by flipping the cab forward.

Unmatched access

If ever needed, the entire cab can be tilted forward for unrivaled access to components and easy cab cleanout.



All-weather performance

A standard maintenance-free battery provides up to 1,000 cold cranking amps. The single-side battery maintenance layout allows for quick service and fast maintenance activities. Glow plugs and a reliable starter are also standard. The heavy-duty top and bottom oil cooler/radiator configuration provides high cooling capacity under the most extreme conditions.



Get to it

The rear door and hood provide easy service access for periodic maintenance and daily checkpoints. Access engine oil, fuel fill, hydraulic oil, coolant and radiator points without tools, and clean the radiator from either side. Engine oil and filter changes are required every 500 hours, as are changes to the primary fuel filters and hydraulic oil filters. Radiator drain and flush is required only at 2,000-hour intervals.



Simple boom lock boosts safety

On all vertical lift models, you can engage the boom lock from inside the cab for added safety when exiting the machine with the boom up. Always use caution when entering or exiting the cab, and always use boom locks when entering or exiting the cab with the loader arms raised.

Lifting, loading, the list goes on...

New Holland skid steers and compact track loaders do a lot more than lift and load. Take a look at the wide array of attachments and you'll quickly see how the versatility of these machines can make you more productive. These are just some of the available attachments:

- 4 X 1 Bucket
- Angle Broom
- Augers
- Auto Rake
- Backhoes
- Bale Handler
- Bale Spear
- Brush Grapple
- Chipper
- Cold Planer
- Concrete Bucket
- Concrete Claw
- Dozer Blade
- Harley Power Box Rake
- Hopper Broom
- Laser Grader
- Log Grapple
- Manure Forks
- Manure Scraper
- Mulching Head
- Pallet Forks
- Pick-Up Broom
- Post Driver
- Post Puller
- Power Side-Discharge Bucket
- Preparator Landscape Rake
- Rock Bucket
- Root Rake
- Rotary Cutter
- Scrap Grapple
- Silage Defacer
- Silt Fence Installer
- Skid Hoe
- Snow Blade
- Snow Bucket
- Snow Blower
- Snow Pusher
- Steel Tracks
- Stump Grinder
- Tiller
- Tree Shovel
- Tree Spade
- Trencher
- Vibratory Roller

Easy attachment changes

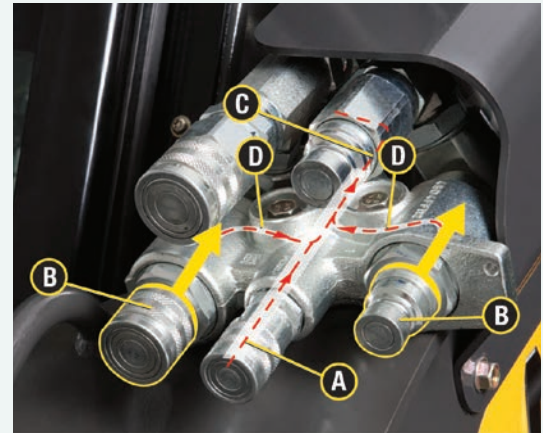
Whatever you need to do—dig, lift, hammer, trench, plane, mow, sweep, rake or drill—there is a New Holland attachment that will get your work done. An optional hydraulic attachment coupler increases uptime and productivity on the jobsite by allowing operators to exchange attachments quickly and safely.



Auxiliary pressure release

A connect under pressure (CUP) hydraulic manifold is standard equipment on all models and allows for easy hook-up of all hydraulic attachments. By pushing on the fitting, line pressure is released from the machine. Lines can now be relieved without wrenches.

- A. Hydraulic oil return (case drain)
- B. Hydraulic oil supply. These fittings slide into manifold and when pressed in, any pressure within the manifold is directed to the hydraulic oil reservoir
- C. Drain line that flows to the tank
- D. Pressure vents



Optional high-flow auxiliaries shown

Attachment considerations:

As you evaluate your attachment options, here are some things to consider.

- Sized to machine
- Specific job to complete
- Hydraulic flow required



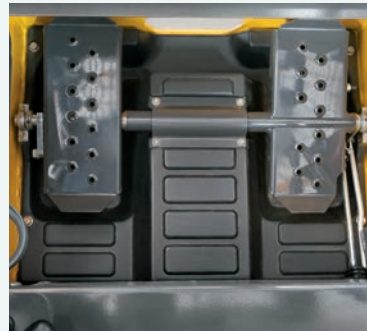
Make your machine your own.



REAR DOOR INSERT



DRAWBAR



FOOT CONTROLS



BEACON



SINGLE-POINT LIFT



COUNTER WEIGHT KIT



FOPS LEVEL 2



CYLINDER GUARDS

Extras and upgrades

New Holland offers a variety of important accessories that can be installed easily on either new or used equipment. These can help upgrade an existing unit or customize one for a particular job. New Holland has kits for the 300 Series, but can also provide kits to upgrade previous models whether you are looking to add a weight kit, or enclose a cab and add air-conditioning. If your upgrade is more than you are comfortable with, your local New Holland dealer will be happy to install any of our kits.



Plug and play

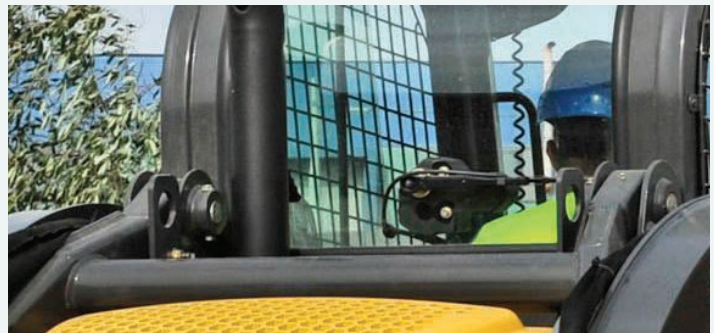
300 Series loaders are pre-wired to accept any electrical accessory. USB and 12v charge points come standard for easy charging of phones and mobile devices.



FOUR-POINT LIFT (FRONT)



FOUR-CORNER LED STROBE



FOUR-POINT LIFT (REAR)



FRONT DEMO DOOR



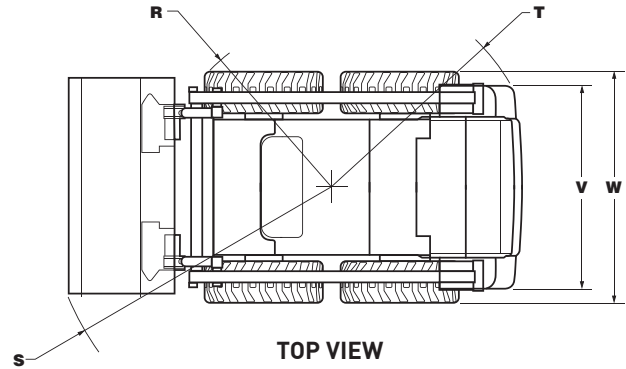
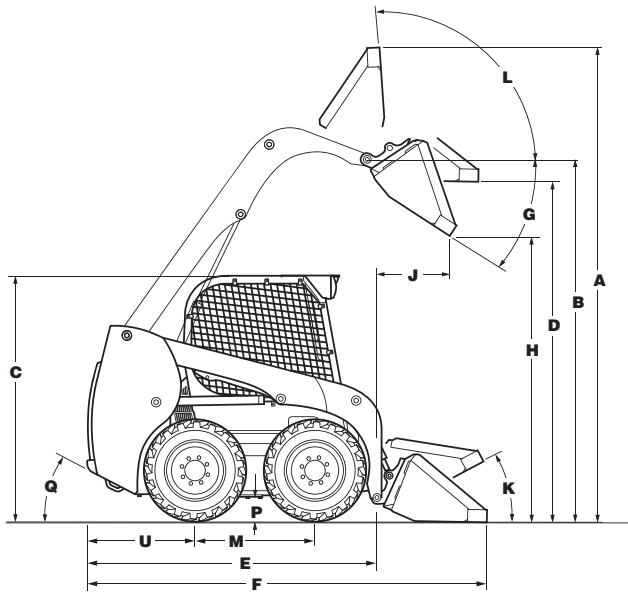
ROAD LIGHT KIT (REAR)



ROAD LIGHT KIT (FRONT)



ATTACHMENT HOSE GUIDE



L316

L321

DIMENSIONS				
Overall operating height				
A.	with foundry/excavating bucket short lip	in (mm)	141.4 [3591]	154.3 [3920]
A.	with low profile/standard lip bucket	in (mm)	146.9 [3732]	158.3 [4050]
A.	with low profile extended/long lip bucket	in (mm)	152 [3859]	163.2 [4146]
Height to				
B.	Bucket hinge pin	in (mm)	112 [2845]	123 [3124]
C.	Top of ROPS	in (mm)	75.5 [1919]	78.7 [1998]
D.	Bottom of level bucket, fully raised	in (mm)	105.6 [2682]	116.1 [2950]
Overall length				
E.	without attachment with coupler	in (mm)	95.9 [2435]	105.1 [2669]
F.	with foundry excavation bucket on ground	in (mm)	119.2 [3028]	129.6 [3292]
F.	with low profile bucket	in (mm)	125 [3175]	133.7 [3397]
F.	with low profile extended bucket	in (mm)	129.8 [3297]	138.8 [3525]
Dump				
G.	Dump angle	degrees	40	40
H.	Dump height			
	with foundry/excavating bucket short lip	in (mm)	88.4 [2246]	98.2 [2495]
	with low profile/standard lip bucket	in (mm)	84.8 [2154]	95.6 [2428]
J.	Dump reach (max height)	in (mm)	18.5 [469]	20.3 [517]
Maximum attachment rollback				
K.	Bucket on ground	degrees	26	31
L.	Bucket at full height	degrees	95	99
Wheelbase and clearance				
M.	Wheelbase	in (mm)	37 [941]	44.4 [1128]
P.	Ground clearance (bottom of belly pan)	in (mm)	7 [178]	8 [203]
Q.	Angle of departure	degrees	22	25
Clearance circle				
R.	without bucket	in (mm)	48.8 [1240]	50.7 [1289]
S.	with 60" inch foundry bucket in carry position	in (mm)	73.3 [1862]	79.9 [2031]
S.	with 60" inch low profile bucket on ground	in (mm)	78.5 [1994]	83.1 [2112]
S.	with 60" inch extended low profile on ground	in (mm)	83.1 [2112]	87.7 [2228]
T.	Clearance circle rear	in (mm)	56.4 [1433]	62.9 [1599]
U.	Rear axle to bumper	in (mm)	33.8 [858]	36.4 [924]
V.	Tread width	in (mm)	49.2 [1248]	56.9 [1448]
W.	Overall width	in (mm)	59.8 [1518]	69.1 [1755]
			with 10" x 16.5" tires	with 12"x16.5" tires

L316

L321

ENGINE			
Manufacturer/model		ISM / N844LT	FPT/F5H FL463
Type		Diesel 4-stroke, T, I.D.I.	Diesel 4-stroke, Turbo, D.I.
Cylinder		4	4
Bore/stroke	in (mm)	3.31 x 3.94 (84 x 100)	3.9x4.3 (99x110)
Displacement	in ³ (L)	135.2 (2.216)	207 (3.4)
Fuel injection		Indirect	HPCR Direct
Fuel		#2 diesel	#2 diesel
Fuel filter		Pre-filter spin on @ 14 microns Main-filter spin on @ 10 microns	Pre-spin on 30 microns Main-spin on 4 microns
Air intake		Turbocharged with external EGR	Turbocharged with external EGR
Cooling		Liquid	Liquid
Engine speeds			
High idle - no load	rpm	2825 +/- 25	2500 +/-25
Rated - full load	rpm	2800	2500
Low idle	rpm	1200 +/-50	1150 +/-25
Horsepower per SAE J1349			
	Gross hp (kW)	60 (45) @ 2800 rpm	74 (55) @2500 rpm
	Net hp (kW)	57 (42) @ 2800 rpm	68 (51) @ 2500 rpm
Peak torque	lb-ft (N•m)	139 (188) @ 1800 rpm	232 (314) @ 1400 rpm

L316

L321

POWERTRAIN			
Drive pump mechanical			
Pump to engine ratio		1:1	1:1
Displacement	in ³ (cc)	2.14 (35)	2.81 (46)
Flow	gpm (Lpm)	25.1 (95)	29.4 (111)
Charge pressure	psi (bar)	360 (25)	360 +/- 10 (24.5 +/-0.5)
System relief	psi (bar)	5000 (345)	5220 (360)
Control		Direct mechanical	Direct mechanical or electro hydraulic
Drive motors			
Max displacement	in ³ (cc)	19.83 (325)	28.7 (470)
Speed @ high idle engine	rpm	313	241
Speed @ optional high speed	rpm	NA	355
Torque @ max displ. and relief pressure	lb-ft (N•m)	1315 (1783)	1987 (2694)
Travel speed with spec tires			
Low range	mph (km/h)	7.9 (12.7)	7.8 (12.5)
High range (optional)	mph (km/h)	NA	11.4 (18.3)
Final drive		Single-reduction chain drive	Single-reduction chain drive
Drive chain			
Size		ASA #80	ASA #100
Axles			
Diameter	in (mm)	2 (50.8)	2.44 (61.9)
Length	in (mm)	13.2 (346)	15.7 (399)
Parking brake			
Type		Spring applied, hydraulic release multiple disk	Spring applied, hydraulic release multiple disk
Engagement		Depress on/off brake button on instrument panel, disconnect lapbelt, get off seat, or stop engine	Depress on/off brake button on instrument panel, disconnect lapbelt, get off seat, or stop engine

			L316	L321
HYDRAULIC SYSTEM				
Pumps				
Type			Gear	Gear
Displacement standard aux.	in ³ (cc)		1.52 [24.9]	2.23 [36.6]
Displacement high flow aux.	in ³ (cc)		N/A	0.84 [13.8]
Pump flow	gpm (Lpm)		18.4 [69.7]	24.2 [91.5]
Optional high flow	gpm (Lpm)		N/A	33.2 [125.7]
Loader control valve				
Type			3 Spool / open center / series	3 spool / open center / series
Relief pressure	psi (bar)		3046 [210]	3046 [210]
Hydraulic filter			4 microns / spin on	4 microns / spin on

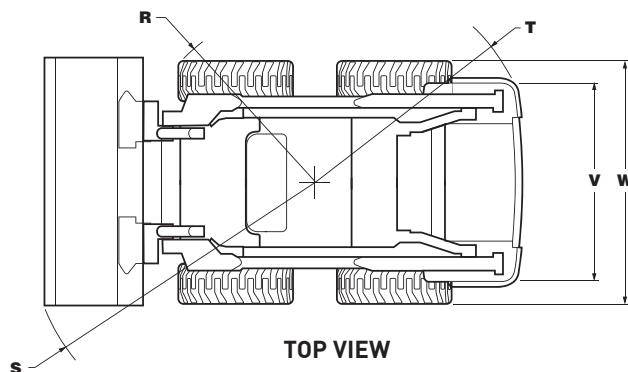
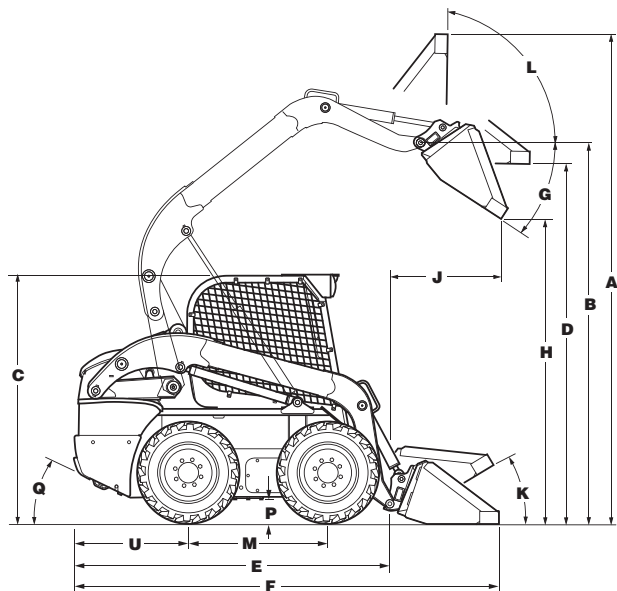
			L316	L321
CYLINDERS				
Lift cylinder				
Bore diameter	in (mm)		2.25 [57]	2.5 [63.5]
Rod diameter	in (mm)		1.38 [35]	1.75 [44.45]
Stroke	in (mm)		25.4 [645]	31.69 [804.9]
Closed length	in (mm)		38.9 [989]	45.59 [1158]
Bucket cylinders				
Bore diameter	in (mm)		2.5 [63.5]	2.75 [69.9]
Rod diameter	in (mm)		1.38 [34.9]	1.38 [34.9]
Stroke	in (mm)		14.6 [370]	16.14 [410]
Closed length	in (mm)		23.4 [594]	24.02 [610]

			L316	L321
WEIGHTS				
Operating weight	lbs (kg)		5645 [2560]	6970 [3160]
Shipping weight	lbs (kg)		5210 [2370]	6670 [3025]

			L316	L321
SERVICE CAPACITIES				
Fuel tank	gal (L)		16 [60.5]	19.5 [73.8]
Engine oil with filter	qt (L)		7.5 [7.1]	10 [9.4]
Chain tanks (per side)	qt (L)		6.6 [6.25]	27.5 [26]
Hydraulic system				
System capacity with filter	qt (L)		30.9 [29.2]	34 [32.2]

			L316	L321
PERFORMANCE SPECS				
Rated operating load				
50% tip	lbs (kg)		1600 [725]	2100 [953]
Tipping load	lbs (kg)		3200 [1455]	4200 lbs [1905]
Breakout forces				
Lift cylinder	lbs (kN)		3160 [14.1] Tip Limit	4570 [20.3]
Bucket cylinder	lbs (kN)		4180 [18.6]	7270 [32.3]
Cycle times				
Raise	sec		3.2	3.6
Lower	sec		2.0	1.8
Dump	sec		1.8	2.2
Roll back	sec		1.3	1.7

For all dimensions and performance metrics, unless otherwise specified:
 L316 – Equipped with 175 lb operator, 60” Dirt & Foundry Bucket and 10 x 16.5 tires
 L321 - Equipped with 175 lb operator, 72” Dirt & Foundry Bucket and 12 x 16.5 tires



TOP VIEW

L318 L320 L328 L334

DIMENSIONS			L318	L320	L328	L334
Overall operating height						
A.	with foundry/excavating bucket short lip	in (mm)	150.4 (3820)	151.4 (3845)	159.7 (4056)	161.3 (4096)
A.	with low profile/standard lip bucket	in (mm)	154.6 (3927)	155.6 (3952)	163.7 (4159)	165.3 (4199)
A.	with low profile extended/long lip bucket	in (mm)	159.6 (4055)	160.6 (4080)	168.8 (4287)	170.4 (4327)
Height to						
B.	Bucket hinge pin	in (mm)	120 (3048)	121 (3073)	129.4 (3287)	131.1 (3327)
C.	Top of ROPS	in (mm)	77.7 (1974)	78.7 (1998)	78.8 (2002)	80.4 (2042)
D.	Bottom of level bucket, fully raised	in (mm)	113.3 (2877)	114.3 (2902)	122.6 (3115)	124.2 (3155)
Overall length						
E.	without attachment with coupler	in (mm)	105.7 (2697)	105.7 (2697)	117.8 (2993)	118.9 (3021)
F.	with foundry excavation bucket on ground	in (mm)	131.9 (3352)	131.4 (3338)	142.9 (3631)	144 (3659)
F.	with low profile bucket	in (mm)	136.1 (3456)	135.4 (3440)	147 (3734)	148 (3760)
F.	with low profile extended bucket	in (mm)	141.1 (3585)	140.5 (3569)	152.1 (3863)	153.2 (3891)
Dump						
G.	Dump angle	degrees	52	52	55	48
H. Dump height						
	with foundry/excavating bucket short lip	in (mm)	93.7 (2380)	94.7 (2405)	103.1 (2618) @ 45°	104.5 (2655) @ 45°
	with low profile/standard lip bucket	in (mm)	90.7 (2305)	91.7 (2330)	100 (2541) @ 45°	101.6 (2581) @ 45°
J.	Dump reach (max height)	in (mm)	30.8 (783)	29.8 (758)	32.3 (821) @ 45°	30.7 (781) @ 45°
Maximum attachment rollback						
K.	Bucket on ground	degrees	35	34	34	33
L.	Bucket at full height	degrees	88	88	85	85
Wheelbase and clearance						
M.	Wheelbase	in (mm)	44.4 (1128)	44.4 (1128)	52 (1322)	52 (1322)
P.	Ground clearance (bottom of belly pan)	in (mm)	7 (178)	8 (203)	8 (203)	9.6 (244)
Q.	Angle of departure	degrees	23	25	24	27
Clearance circle						
R.	without bucket	in (mm)	50.7 (1289)	50.7 (1289)	55.6 (1412)	56.2 (1428)
S.	with foundry bucket in carry position	in (mm)	79.6 (2021)	80.9 (2055)	84.0 (2134)	84.8 (2155)
	with 66" bucket			with 72" bucket	with 72" bucket	with 78" bucket
S.	with low profile bucket on ground	in (mm)	83.9 (2132)	84.6 (2150)	87.7 (2228)	88.4 (2246)
	with 66" bucket			with 72" bucket	with 72" bucket	with 78" bucket
S.	with extended low profile on ground	in (mm)	88.6 (2250)	89.3 (2268)	92.3 (2345)	93 (2363)
	with 66" bucket			with 72" bucket	with 72" bucket	with 78" bucket
T.	Clearance circle rear	in (mm)	62.9 (1599)	62.9 (1599)	70.4 (1789)	71.2 (1809)
U.	Rear axle to bumper	in (mm)	36.4 (924)	36.4 (924)	40.7 (1034)	42.4 (1078)
V.	Tread width	in (mm)	53.9 (1371)	56.9 (1448)	56.9 (1448)	62.2 (1580)
	with 10" x 16.5" tires			with 12" x 16.5" tires	with 12" x 16.5" tires	with 14" x 17.5" tires
W.	Overall width	in (mm)	66.1 (1678)	69.1 (1755)	69.8 (1773)	76 (1930)

20 SUPER BOOM® SKID STEER SPECIFICATIONS (VERTICAL LIFT)

	L318	L320	L328	L334
ENGINE				
Manufacturer/model	ISM / N4LDI-TA-45SL	ISM / N4LDI-TA-50SL	FPT / F5H FL463A*F001	FPT / F5BFL413E*B002
Type	Diesel 4-stroke, Turbo, D.I.	Diesel 4-stroke, Turbo, D.I.	Diesel 4-stroke, Turbo, D.I.	Diesel 4-stroke, Turbo, D.I.
Cylinder	4	4	4	4
Bore/stroke	in (mm) 3.31 x 3.94 (84 x 100)	3.31 x 3.94 (84 x 100)	3.9 x 4.3 (99 x 110)	3.9 x 4.3 (99 x 110)
Displacement	in ³ (L) 135 (2.2)	135 (2.2)	207.5 (3.4)	207.5 (3.4)
Fuel injection	HPCR Direct	HPCR Direct	HPCR Direct	HPCR Direct
Fuel	#2 diesel	#2 diesel	#2 diesel	#2 diesel
Fuel filter	Pre-filter spin on @ 30 microns Main-filter spin on @ 4 microns	Pre-filter spin on @ 30 microns Main-filter spin on @ 4 microns	Pre-filter spin on @ 30 microns Main-filter spin on @ 4 microns	Pre-filter 99.8% @ 30 microns Main filter 95% @ 4 microns
Air intake	Turbocharged Aftercooled with external EGR	Turbocharged Aftercooled with external EGR	Turbocharged Aftercooled with external EGR	Turbocharged Aftercooled with external EGR and SCR
Cooling	Liquid	Liquid	Liquid	Liquid
Engine speeds				
High idle - no load	rpm 2825 +/- 25	2825 +/- 25	2500 +/- 25	2500 +/- 25
Rated - full load	rpm 2800	2800	2500	2500
Low idle	rpm 1200 +/- 50	1200 +/- 50	1150 +/- 25	1150 +/- 25
Horsepower per SAE J1349				
Gross hp (kW)	60 (45) @ 2800 rpm	67 (50) @ 2800 rpm	74 (55) @ 2500 rpm	90 (67) @ 2500 rpm
Net hp (kW)	57 (42) @ 2800 rpm	64 (47.7) @ 2800 rpm	68 (51) @ 2500 rpm	84 (63) @ 2500 rpm
Peak torque	lb-ft (N•m) 135 (183) @ 1800 rpm	153 (208) @ 1800 rpm	232 (314) @ 1400 rpm	282 (383) @ 1400 rpm

	L318	L320	L328	L334
POWER TRAIN				
Drive pump mechanical				
Pump to engine ratio	1:1	1:1	1:1	1:1
Displacement	in ³ (cc) 2.14 (35)	2.14 (35)	2.07 (34)	2.07 (34)
Flow at rated engine rpm @100% eff.	gpm (Lpm) 25.1 (95)	25.1 (95)	29.4 (111)	29.4 (111)
Charge pressure	psi (bar) 360 (24.5)	360 (24.5)	360 (24.5)	360 (24.5)
System relief	psi (bar) 5000 (345)	5000 (345)	5220 (360)	5220 (360)
Control	Direct mechanical	Direct mechanical	Mechanical servo	Mechanical servo
Drive pump electro hydraulic				
Pump to engine ratio	1:1	1:1	1:1	1:1
Displacement	in ³ (cc) 2.14 (35)	2.14 (35)	2.75 (45)	2.75 (45)
Flow	gpm (Lpm) 25.1 (95)	25.1 (95)	24.2 (91.5)	24.2 (91.5)
Charge pressure	psi (bar) 362 (25)	362 (25)	362 (25)	362 (25)
System relief	psi (bar) 5220 (360)	5220 (360)	5220 (360)	5220 (360)
Control	Electro hydraulic	Electro hydraulic	Electro hydraulic	Electro hydraulic
Drive motors				
Max displacement	in ³ (cc) 19.83 (325)	19.83 (325)	28.7 (470)	28.7 (470)
Speed @ high idle engine rpm	313	313	237	237
Speed @ optional high speed	rpm 443	443	355	355
Torque @ max displ. and relief pressure	lb-ft (N•m) 1315 (1783)	1315 (1783)	1987 (2694)	1987 (2694)
Travel speed with spec tires				
Low range	mph (km/h) 7.4 (11.9)	7.8 (12.5)	7.0 (11.3)	7.7 (12.4)
High range	mph (km/h) 10.8 (17.4)	11.4 (18.3)	10.5 (16.9)	11.5 (18.5)
Final drive	Single-reduction chain drive	Single-reduction chain drive	Single-reduction chain drive	Single-reduction chain drive
Drive chain				
Size	ASA #80	ASA #80	ASA #100	ASA #100
Axles				
Diameter	in (mm) 2 (50.8)	2 (50.8)	2.44 (62)	2.44 (62)
Length	in (mm) 15.1 (384)	15.1 (384)	15.6 (396)	15.6 (396)
Parking brake				
Type	Spring applied, hydraulic release disc			
Engagement	Depress on/off brake button on right hand joystick, disconnect lapbelt, get off seat, or stop engine			

		L318	L320	L328	L334
HYDRAULIC SYSTEM					
Pumps					
Type		Gear	Gear	Gear	Gear
Displacement standard aux.	in ³ (cc)	1.7 (27.8)	1.7 (27.8)	2.23 (36.6)	2.23 (36.6)
Displacement high flow aux.	in ³ (cc)	.84 (13.8)	.84 (13.8)	1.24 (20.4)	1.24 (20.4)
Standard pump flow	gpm (Lpm)	20.6 (78)	20.6 (78)	24.2 (91.5)	24.2 (91.5)
Optional high flow	gpm (Lpm)	30.7 (116.2)	30.7 (116.2)	37.6 (142.5)	39.5 (149)
Enhanced high flow	gpm (Lpm)	NA	NA	NA	35 (132.5)
Loader control valve					
Type		3 spool / open center / series	3 spool / open center / series	3 spool / open center / series	3 spool / open center / series
Standard relief pressure	psi (bar)	3046 (210)	3046 (210)	3046 (210)	3450 (238)
Enhanced high flow relief pressure	psi (bar)	NA	NA	NA	4000 (276)
Hydraulic filter		4 microns / spin on	4 microns / spin on	4 microns / spin on	4 microns / spin on

		L318	L320	L328	L334
CYLINDERS					
Lift cylinder					
Bore diameter	in (mm)	2.25 (57)	2.5 (63.5)	2.75 (69.9)	2.75 (69.85)
Rod diameter	in (mm)	1.38 (34.9)	1.75 (44.45)	1.75 (44.5)	1.75 (44.5)
Stroke	in (mm)	26.8 (681)	26.8 (681)	47.1 (1196)	33.4 (847.9)
Closed length	in (mm)	38.7 (982)	38.7 (982)	33.4 (847.9)	47.1 (1196)
Bucket cylinders					
Bore diameter	in (mm)	2.5 (63.5)	2.75 (69.9)	3.0 (76.2)	3.0 (76.2)
Rod diameter	in (mm)	1.38 (34.9)	1.38 (34.9)	1.5 (38.1)	1.5 (38.1)
Stroke	in (mm)	16.1 (410)	16.1 (410)	16.4 (410)	15.7 (398)
Closed length	in (mm)	24 (610)	24 (610)	24 (610)	24 (610)

		L318	L320	L328	L334
WEIGHTS					
Operating weight	lbs (kg)	6230 (2832)	6470 (2930)	7895 (3580)	8900 (4045)
Shipping weight, with bucket	lbs (kg)	5930 (2695)	6170 (2795)	7565 (3430)	8557 (3890)

		L318	L320	L328	L334
SERVICE CAPACITIES					
Fuel tank	gal (L)	19.5 (73.8)	19.5 (73.8)	25.5 (96.5)	25.5 (96.5)
Engine oil with filter	qt (L)	7.5 (7.1)	7.5 (7.1)	8.9 (8.5)	8.9 (8.5)
Chain tanks (per side)	qt (L)	7.9 (7.4)	7.9 (7.4)	23.5 (22.2)	23.5 (22.2)
DEF tank	gal (L)	NA	NA	NA	2.8 (10.7)
Hydraulic system					
System capacity with filter	qt (L)	34 (32.2)	34 (32.2)	48 (45.4)	48 (45.4)

		L318	L320	L328	L334
PERFORMANCE SPECS					
Rated operating load					
50% tip	lbs (kg)	1800 (818)	2000 (905)	2800 (1270)	3400 (1542)
Tipping load	lbs (kg)	3600 (1633)	4000 (1814)	5600 (2540)	6800 (3084)
Breakout forces					
Lift cylinder	lbs (kN)	2620 (11.7)	3450 (15.3)	6030 (27.3)	6918 (30.8)
Bucket cylinder	lbs (kN)	5550 (24.7)	7300 (32.5)	8620 (38.3)	9323 (41.5)
Cycle times					
Raise	sec	2.8	3.5	4.5	4.5
Lower	sec	2.3	2.3	2.6	3.4
Dump	sec	2.1	2.6	2.6	2.6
Roll back	sec	1.5	2.0	2.0	2.0

For all dimensions and performance metrics, unless otherwise specified:

L318 – Equipped with 175 lb operator, 66" Dirt & Foundry Bucket with 10 x 16.5 tires

L320 – Equipped with 175 lb operator, 66" Dirt & Foundry Bucket with 12 x 16.5 tires

L328 – Equipped with 175 lb operator, 72" Dirt & Foundry Bucket with 12 x 16.5 tires

L334 – Equipped with 175 lb operator, 78" Dirt & Foundry Bucket with 14 x 17.5 tires

	L316	L318	L320	L321	L328	L334
TIRE OPTIONS						
10 X 16.5 Heavy Duty (59 OTW)	Standard					
27 X 10.5 - 15 Premium (64 OTW)	X					
10 X 16.5 Premium (59 OTW)	X					
10 X 16.5 Heavy Duty (64 OTW)		Standard	X	X		
10 X 16.5 Premium (64 OTW)		X	X	X		
10 X 16.5 Premium Liner (64 OTW)		X	X	X		
10 X 16.5 Severe Duty (64 OTW)		X	X	X		
10 X 16.5 Non- Pneumatic (64 OTW)	X	X	X	X		
12 X 16.5 Heavy Duty (70 OTW)		X	Standard	Standard	Standard	
12 X 16.5 Premium (70 OTW)		X	X	X	X	
12 X 16.5 Premium-Liner (70 OTW)		X	X	X	X	
12 X 16.5 Severe Duty (70 OTW)			X	X	X	
12 X 16.5 Non-Pneumatic (70 OTW)				X	X	
14 x 17.5 Heavy Duty (76 OTW)						X
14 x 17.5 Severe Duty (76 OTW)						X
14 x 17.5 Non-Pneumatic (76 OTW)						X
14 X 17.5 Premium (76 OTW)					X	
10 X 16.5 Tweel (70 OTW)	X	X	X	X		
12 X 16.5 Tweel (70 OTW)				X	X	X

Heavy Duty



Severe Duty



Tweel



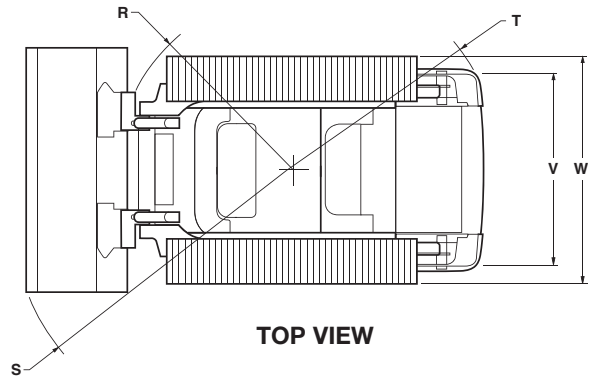
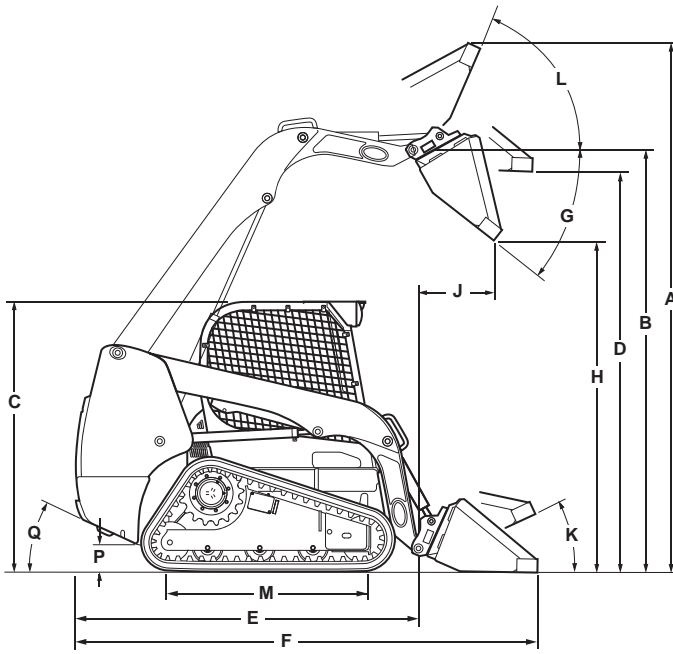
Premium & Premium (with Liner)



Non-Pneumatic







C327

C334

DIMENSIONS

Overall operating height				
A.	with foundry/excavating bucket short lip	in (mm)	155.6 (3953)	157.2 (3993)
A.	with low profile/standard lip bucket	in (mm)	159.8 (4059)	161.4 (4099)
A.	with low profile extended/long lip bucket	in (mm)	164.6 (4148)	166.2 (4221)
Height to				
B.	Bucket hinge pin	in (mm)	125 (3178)	126.5 (3215)
C.	Top of ROPS	in (mm)	78.7 (1998)	80.4 (2043)
D.	Bottom of level bucket, fully raised	in (mm)	117.1 (2976)	118.7 (3016)
Overall length				
E.	without attachment with coupler	in (mm)	104.8 (2662)	118.2 (3003)
F.	with foundry excavation bucket on ground	in (mm)	129.6 (3292)	142.6 (3621)
F.	with low profile bucket	in (mm)	133.4 (3388)	141.5 (3749)
F.	with low profile extended bucket	in (mm)	138.3 (3512)	151.7 (3853)
Dump				
G.	Dump angle	degrees	38.1	38.1
H.	Dump height			
	with foundry/excavating bucket short lip	in (mm)	100.6 (2556) @ 38.1°	102.4 (2602) @ 38.3°
	with low profile/standard lip bucket	in (mm)	98.0 (2488) @ 38.1°	99.9 (2537) @ 38.1°
J.	Dump reach (max height)	in (mm)	22.3 (568) @ 38.1°	21.6 (548) @ 38.1°
Maximum attachment rollback				
K.	Bucket on ground	degrees	31	30.6
L.	Bucket at full height	degrees	99	100
Track and clearance				
M.	Track on ground	in (mm)	55.9 (1419)	64.5 (1639)
P.	Ground clearance (bottom of belly pan)	in (mm)	8 (203)	9.6 (243)
Q.	Angle of departure	degrees	32	32
Clearance circle				
R.	without bucket	in (mm)	52.3 (1346)	57.7 (1466)
S.	with foundry bucket in carry position	in (mm)	82.2 (2187) with 72" bucket	87 (2210) with 78" bucket
S.	with low profile bucket on ground	in (mm)	85.8 (2181) with 72" bucket	90.8 (2307) with 78" bucket
S.	with extended low profile on ground	in (mm)	90.4 (2297) with 72" bucket	95.2 (2419) with 78" bucket
T.	Clearance circle rear	in (mm)	59.1 (1501)	67.9 (1725)
V.	Track gauge	in (mm)	53.4 (1356)	58.3 (1480)
W.	Overall width	in (mm)	65.9 (1676)	76.5 (1943)

C327

C334

ENGINE			
Manufacturer/model		FPT / F5H FL463A	FPT / F5BFL413E*B002
Type		Diesel 4-stroke, turbo, D.I.	Diesel 4-stroke, turbo, D.I.
Cylinder		4	4
Bore/stroke	in (mm)	3.9 x 4.3 (99 x 109)	3.9 x 4.3 (99 x 110)
Displacement	in ³ (L)	207 (3.4)	207.5 (3.4)
Fuel injection		HPCR Direct	HPCR Direct
Fuel		#2 diesel	#2 diesel
Fuel filter		Pre-spin on 30 microns Main-spin on 4 microns	Pre-filter 99.8% @ 30 microns Main filter 95% @ 4 microns
Air intake		Turbocharged with external EGR	Turbocharged Aftercooled with external EGR and SCR
Cooling		Liquid	Liquid
Engine speeds			
High idle - no load	rpm	2500 +/- 25	2500 +/- 25
Rated - full load	rpm	2500	2500
Low idle	rpm	1150 +/- 25	1150 +/- 25
Horsepower per SAE J1349			
	Gross hp (kW)	74 (55) @ 2500 rpm	90 (67) @ 2500 rpm
	Net hp (kW)	68 (51) @ 2500 rpm	84 (63) @ 2500 rpm
Peak torque	lb-ft (N•m)	232 (314) @ 1400 rpm	282 (383) @ 1400 rpm

C327

C334

POWER TRAIN			
Drive pump electro hydraulic			
Pump to engine ratio		1:1	1:1
Displacement	in ³ (cc)	2.75 (45)	2.75 (45)
Flow	gpm (Lpm)	24.2 (91.5)	28.8 (109)
Charge pressure	psi (bar)	362 (24.5)	362 (25)
System relief	psi (bar)	5220 (360)	5220 (360)
Control		Mechanical or Electro hydraulic	Electro hydraulic
Drive motors			
Effective Max displacement	in ³ (cc)	67 (1098)	67 (1098)
Effective Displacement opt high speed	in ³ (cc)	43.6 (714)	43.6 (714)
Speed @ high idle engine	rpm	103	103
Speed @ optional high speed	rpm	156	156
Torque @ max displ. and relief pressure	lb-ft (N•m)	4654 (6310)	3027 (4104)
Travel speed			
Low range	mph (km/h)	5.5 (8.9)	5.5 (8.2)
High range		8.0 (12.9)	8.0 (12.9)
Final drive		Planetary gearbox with 2-speed motor	Planetary gearbox with 2-speed motor
Parking brake			
Type		Spring applied, hydraulic release disc	Spring applied, hydraulic release disc
Engagement		Depress on/off brake button on instrument panel, disconnect lapbelt, get off seat, or stop engine	Depress on/off brake button on instrument panel, disconnect lapbelt, get off seat, or stop engine

C327

C334

UNDERCARRIAGE			
System		Zig Zag Pattern	Zig Zag Pattern
Idlers / rollers per side		2/3	2/4
Ground pressure			
PSI (with spec belt)		5.9	4.2

			C327	C334
HYDRAULIC SYSTEM				
Pumps				
Type			Gear	Gear
Displacement standard aux.	in ³ (cc)		2.23 [36.6]	2.23 [36.6]
Displacement high flow aux.	in ³ (cc)		.76 [12.5]	1.24 [20.4]
Standard pump flow	gpm (Lpm)		24.2 [91.5]	24.2 [91.5]
Optional high flow	gpm (Lpm)		32.4 [122.6]	37.6 [142.5]
Enhanced high flow	gpm (Lpm)		NA	35 [132.5]
Loader control valve				
Type			3 spool / open center / series	3 spool / open center / series
Standard relief pressure	psi (bar)		3046 [210]	3046 [210]
Enhanced high flow relief pressure	psi (bar)		NA	4000 [276]
Hydraulic filter			6 microns / spin on	6 microns / spin on

			C327	C334
CYLINDERS				
Lift cylinder				
Bore diameter	in (mm)		2.5 [63.5]	2.75 [69.85]
Rod diameter, in (mm)	in (mm)		1.75 [44.5]	2.0 [50.8]
Stroke in, in (mm)	in (mm)		31.69 [804.9]	33.4 [847.9]
Closed length, in (mm)	in (mm)		45.59 [1158.0]	47.1 [1196]
Bucket cylinders				
Bore diameter, in (mm)	in (mm)		2.75 [69.9]	3.9 [99]
Rod diameter, in (mm)	in (mm)		1.38 [34.9]	1.5 [38.1]
Stroke, in (mm)	in (mm)		16.14 [410]	16.14 [410]
Closed length, in (mm)	in (mm)		24.02 [610]	24 [610]
Rated operating load				
50% tip	lbs (kg)		2700 [1225]	3400 [1542]
35% tip	lbs (kg)		1890 [860]	2380 [1079]
Tipping load	lbs (kg)		5400 [2449]	6800 [3084]
Breakout forces				
Lift cylinder	lbs (kN)		6260 [27]	7760 [34.5]
Bucket cylinder	lbs (kN)		7270 [32.3]	8700 [38.7]
Cycle times				
Raise	sec		3.6	4.4
Lower	sec		1.8	2.6
Dump	sec		2.2	2.6
Roll back	sec		1.7	2.0

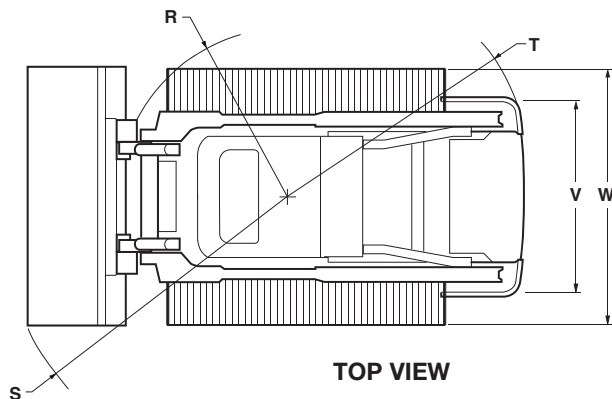
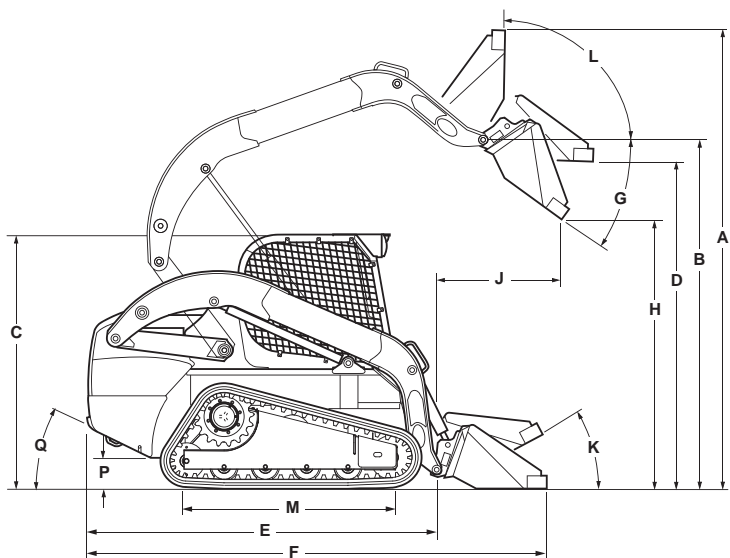
			C327	C334
WEIGHTS				
Operating weight	lbs (kg)		8270 [3750]	10,000 [4536]
Shipping weight	lbs (kg)		7970 [3615]	9656 [4380]

			C327	C334
SERVICE CAPACITIES				
Fuel tank, gal (L)			19.5 [73.8]	25.5 [96.5]
Engine oil with filter, qt (L)			8.9 [8.5]	8.9 [8.5]
System Capacity with filter, qt (L)			34 [32.2]	47 [44.5]
DEF tank, gal (L)			NA	2.8 [10.7]

For all dimensions and performance metrics, unless otherwise specified:

C327 – Equipped with 175 lb operator, 72” Dirt & Foundry Bucket with 12.6 (320 mm) track belt

C334 – Equipped with 175 lb operator, 78” Heavy-Duty Bucket with 17.7 (450 mm) track belt



C332

C337

C345

DIMENSIONS			C332	C337	C345
Overall operating height					
A.	with foundry/excavating bucket short lip	in (mm)	160.2 [4068]	160.2 [4068]	161.4 [4100]
A.	with low profile/standard lip bucket	in (mm)	164.4 [4176]	164.4 [4176]	165.6 [4207]
A.	with low profile extended/long lip bucket	in (mm)	169.2 [4298]	169.2 [4298]	170.4 [4329]
Height to					
B.	Bucket hinge pin	in (mm)	131.1 [3330]	131.1 [3330]	131.6 [3342]
C.	Top of ROPS	in (mm)	80.4 [2043]	80.4 [2043]	80.4 [2043]
D.	Bottom of level bucket, fully raised	in (mm)	123.0 [3125]	123.0 [3125]	123.2 [3129]
Overall length					
E.	without attachment with coupler	in (mm)	117.3 [2979]	117.0 [2972]	120.2 [3054]
F.	with foundry excavation bucket on ground	in (mm)	141.7 [3598]	141.1 [3592]	144.6 [3673]
F.	with low profile bucket	in (mm)	147 [3734]	146.7[3727]	148.8 [3781]
F.	with low profile extended bucket	in (mm)	150.8 [3830]	150.5 [3823]	153.7 [3904]
Dump					
G.	Dump angle	degrees	55	55	45.3
H.	Dump height				
	with foundry/excavating bucket short lip	in (mm)	104.5 [2655] @ 45°	104.5 [2655] @ 45°	104.1 [2645] @ 45°
	with low profile/standard lip bucket	in (mm)	101.6 [2581] @ 45°	101.6 [2581] @ 45°	101.1 [2568] @ 45°
J.	Dump reach (max height)	in (mm)	34.4 [875] @ 45°	34.4 [875] @ 45°	31.6 [802] @ 45°
Maximum attachment rollback					
K.	Bucket on ground	degrees	33	33	32
L.	Bucket at full height	degrees	85	85	83.1
Track and clearance					
M.	Track on ground	in (mm)	64.5 [1639]	64.5 [1639]	64.5 [1639]
P.	Ground clearance (bottom of belly pan)	in (mm)	9.6 [244]	9.6 [244]	9.6 [244]
Q.	Angle of departure	degrees	32	32	32
Clearance circle					
R.	without bucket	in (mm)	56.2 [1482]	56.2 [1482]	57.7 [1465]
S.	with foundry bucket in carry position	in (mm)	86.6 [2200] with 78" bucket	86.6 [2200] with 78" bucket	88 [2234] with 78" bucket
S.	with low profile bucket on ground	in (mm)	90.4 [2297] with 78" bucket	90.4 [2297] with 78" bucket	91.8 [2331] with 78" bucket
S.	with extended low profile on ground	in (mm)	94.8 [2409] with 78" bucket	94.8 [2409] with 78" bucket	96.2 [2444] with 78" bucket
T.	Clearance circle rear	in (mm)	67 [1702]	67 [1702]	67.9 [1725]
V.	Track gauge	in (mm)	58.6 [1488]	58.6 [1488]	58.6 [1488]
W.	Overall width	in (mm)	76.5 [1943]	76.5 [1943]	76.5 [1943]

	C332	C337	C345
ENGINE			
Manufacturer/model	FPT / F5H FL463A*G001	FPT / F5BFL463A*G001	FPT / F5BFL413E*B002*
Type	Diesel 4-stroke, turbo, D.I.	Diesel 4-stroke, turbo, D.I.	Diesel 4-stroke, Turbo, D.I.
Cylinder	4	4	4
Bore/stroke	3.9 x 4.3 (99 x 110)	3.9 x 4.3 (99 x 110)	3.9 x 4.3 (99 x 110)
Displacement	207 (3.4)	207.5 (3.4)	207 (3.4)
Fuel injection	HPCR Direct	HPCR Direct	HPCR Direct
Fuel	#2 diesel	#2 diesel	#2 diesel
Fuel filter	Pre-spin on 30 microns Main-spin on 4 microns	Pre-filter 99.8% @ 30 microns, Main filter 95% @ 4 microns	Pre-filter 99.8% @ 30 microns, Main filter 95% @ 4 microns
Air intake	Turbocharged Aftercooled with external EGR	Turbocharged Aftercooled with external EGR	Turbocharged Aftercooled with external EGR and SCR
Cooling	Liquid	Liquid	Liquid
Engine speeds			
High idle - no load	2500 +/- 25	2500 +/- 25	2500 +/- 25
Rated - full load	2500	2500	2500
Low idle	1150 +/- 25	1150 +/- 25	1150 +/- 25
Horsepower per SAE J1349			
Gross hp (kW)	74 (55) @ 2500 rpm	74 (55) @ 2500 rpm	90 (67) @ 2500 rpm
Net hp (kW)	68 (51) @ 2500 rpm	68 (51) @ 2500 rpm	84 (63) @ 2500 rpm
Peak torque	232 (314) @ 1400 rpm	232 (314) @ 1400 rpm	282 (383) @ 1400 rpm

	C332	C337	C345
POWER TRAIN			
Drive pump electro hydraulic			
Pump to engine ratio	1:1	1:1	1:1
Displacement	2.75 (45)	2.75 (45)	2.75 (45)
Flow	24.2 (91.5)	28.8 (109)	29.4 (111)
Charge pressure	362 (24.5)	362 (24.5)	360 (24.5)
System relief	5220 (360)	5220 (360)	5220 (360)
Control	Mechanical or Electro hydraulic	Electro hydraulic	Mechanical servo
Drive motors			
Effective Max displacement	3.10 (50.9)	3.10 (50.9)	3.10 (50.9)
Speed @ high idle engine	103	103	103
Speed @ optional high speed	156	156	156
Torque @ max displ. and relief pressure	3027 (4104)	3027 (4104)	3027 (4104)
Travel speed			
Low range	5.5 (8.9)	5.5 (8.9)	5.5 (8.9)
High range (optional)	8.0 (12.9)	8.0 (12.9)	8.0 (12.9)
Final drive	Planetary gearbox with 2-speed motor	Planetary gearbox with 2-speed motor	Planetary gearbox with 2-speed motor
Parking brake			
Type	Spring applied, hydraulic release disc	Spring applied, hydraulic release disc	Spring applied, hydraulic release disc
Engagement	Depress on/off brake button on instrument panel, disconnect lapbelt, get off seat, or stop engine	Depress on/off brake button on instrument panel, disconnect lapbelt, get off seat, or stop engine	Depress on/off brake button on instrument panel, disconnect lapbelt, get off seat, or stop engine

	C332	C337	C345
UNDERCARRIAGE			
System	Zig Zag Pattern	Zig Zag Pattern	Zig Zag Pattern
Idlers / rollers per side	2/4	2/4	2/4
Ground pressure			
PSI (with spec belt)	4.2	4.2	4.4

		C332	C337	C345
HYDRAULIC SYSTEM				
Pumps				
Type		Gear	Gear	Gear
Displacement standard aux.	in ³ (cc)	2.23 [36.6]	2.23 [36.6]	2.23 [36.6]
Displacement high flow aux.	in ³ (cc)	1.24 [20.4]	1.24 [20.4]	1.45 [23.7]
Standard pump flow	gpm (Lpm)	24.2 [91.5]	24.2 [91.5]	24.2 [91.5]
Optional high flow	gpm (Lpm)	37.6 [142.5]	37.6 [142.5]	39.9 [150.8]
Enhanced high flow	gpm (Lpm)	NA	NA	35 [132.5]
Loader control valve				
Type		3 spool / open center / series	3 spool / open center / series	3 spool / open center / series
Standard relief pressure	psi (bar)	3,046 [210]	3,046 [210]	3,450 [237]
Enhanced high flow relief pressure	psi (bar)	NA	NA	4000 [276]
Hydraulic filter		6 microns / spin on	6 microns / spin on	6 microns / spin on

		C332	C337	C345
CYLINDERS				
Lift cylinder				
Bore diameter	in (mm)	2.5 [63.5]	2.75 [69.85]	2.75 [69.8]
Rod diameter, in (mm)	in (mm)	1.75 [44.5]	1.75 [44.5]	1.75 [44.5]
Stroke in, in (mm)	in (mm)	33.5 [851.9]	34.9 [886.5]	35.7 [908]
Closed length, in (mm)	in (mm)	46.9 [1192]	47.4 [1205]	53.9 [1369.1]
Bucket cylinders				
Bore diameter, in (mm)	in (mm)	3.0 [76.2]	3.0 [76.2]	3.0 [76.2]
Rod diameter, in (mm)	in (mm)	1.5 [38.1]	1.5 [38.1]	1.5 [38.1]
Stroke, in (mm)	in (mm)	16.14 [410]	16.14 [410]	15.9 [405]
Closed length, in (mm)	in (mm)	24 [610]	24 [610]	24.3 [617]
Rated operating load				
50% tip	lbs (kg)	3200 [1451]	3700 [1678]	4500 [2045]
35% tip	lbs (kg)	2240 [1018]	2590 [1178]	3150 [1432]
Tipping load	lbs (kg)	6400 [2902]	7400 [3357]	9000 [4091]
Breakout forces				
Lift cylinder	lbs (kN)	4840 [21.5]	6110 [27.2]	7562 [33.6]
Bucket cylinder	lbs (kN)	7360 [32.7]	7360 [32.7]	9188 [41.8]
Cycle times				
Raise	sec	3.9	4.5	5.1
Lower	sec	2.5	2.6	3.5
Dump	sec	2.7	2.6	2.7
Roll back	sec	2.0	2.0	2.0

		C332	C337	C345
WEIGHTS				
Operating weight	lbs (kg)	9630 [4370]	9945 [4520]	10,610 [4823]
Shipping weight	lbs (kg)	9300 [4220]	9615 [4370]	10,267 [4657]

		C332	C337	C345
SERVICE CAPACITIES				
Fuel tank, gal (L)		25.5 [96.5]	25.5 [96.5]	25.5 [96.5]
Engine oil with filter, qt (L)		8.9 [8.5]	8.9 [8.5]	8.9 [8.5]
System Capacity with filter, qt (L)		47 [44.5]	47 [44.5]	45.4 [48]
DEF tank, gal (L)		NA	NA	2.8 [10.7]

For all dimensions and performance metrics, unless otherwise specified:

C332 – Equipped with 175 lb operator, 78” Heavy Duty Bucket and 17.7 (450 mm) track belt

C337 – Equipped with 175 lb operator, 78” Heavy Duty Bucket and 17.7 (450 mm) track belt

C345 – Equipped with 175 lb operator, 78” Heavy Duty Bucket and 17.7 (450 mm) track belt

	L316	L318	L320	L321	L328	L334
BUCKET OFFERING						
Dirt & foundry bucket						
60" Dirt & Foundry Bucket (1524 mm), 11.5 cu. ft. Heaped Capacity	X					
66" Dirt & Foundry Bucket (1676 mm), 15.2 cu. ft. Heaped Capacity	X	X	X	X		
72" Dirt & Foundry Bucket (1829 mm), 16.7 cu. ft. Heaped Capacity	X	X	X	X	X	X
78" Dirt & Foundry Bucket (1981 mm), 18.4 cu. ft. Heaped Capacity		X	X	X	X	X
Low profile bucket						
60" Low Profile Bucket (1524 mm), 11.5 cu. ft. Heaped Capacity	X					
66" Low Profile Bucket (1676 mm), 13.2 cu. ft. Heaped Capacity	X	X	X	X		
72" Low Profile Bucket (1829 mm), 14.5 cu. ft. Heaped Capacity	X	X	X	X	X	X
Low profile Extended Bucket						
60" Low Profile Extended (1524 mm), 14.3 cu. ft. Heaped Capacity	X					
66" Low Profile Extended (1676 mm), 15.5 cu. ft. Heaped Capacity	X	X	X	X		
72" Low Profile Extended (1829 mm), 17.1 cu. ft. Heaped Capacity	X	X	X	X	X	X
78" Low Profile Extended (1981 mm), 18.6 cu. ft. Heaped Capacity		X	X	X	X	X
84" Low Profile Extended (2134 mm), 20.2 cu. ft. Heaped Capacity		X	X	X	X	X
Light Material Bucket						
60" Light Material Bucket (1524 mm), 19.7 cu. ft. Heaped Capacity	X					
72" Light Material Bucket (1829 mm), 23.7 cu. ft. Heaped Capacity	X	X	X	X	X	X
84" Light Material Bucket (2134 mm), 27.9 cu. ft. Heaped Capacity		X	X	X	X	X
Manure & Slurry Bucket						
60" Manure-Slurry Bucket (1524 mm), 16.7 cu. ft. Heaped Capacity	X					
72" Manure-Slurry Bucket (1829 mm), 19.1 cu. ft. Heaped Capacity	X	X	X	X	X	X
84" Manure-Slurry Bucket (2134 mm), 22.5 cu. ft. Heaped Capacity		X	X	X	X	X
Heavy Duty Dirt Bucket						
66" Heavy Duty Dirt Bucket (1676 mm), 13.3 cu. ft. Heaped Capacity	X	X	X	X		
72" Heavy Duty Dirt Bucket (1829 mm), 14.6 cu. ft. Heaped Capacity		X	X	X	X	X
78" Heavy Duty Dirt Bucket (1981 mm), 15.9 cu. ft. Heaped Capacity		X	X	X	X	X
84" Heavy Duty Dirt Bucket (2134 mm), 19.4 cu. ft. Heaped Capacity					X	X
Heavy Duty Extended Bucket with Smart Fit Teeth						
72" HD Extended Bucket (1829 mm), 17.1 cu. ft. Heaped Capacity	X	X	X	X	X	
78" HD Extended Bucket (1981 mm), 18.9 cu. ft. Heaped Capacity		X	X	X	X	X
84" HD Extended Bucket (2134 mm), 20.5 cu. ft. Heaped Capacity					X	X

NOTE: Select buckets are available through CNH Industrial Parts. Ask your New Holland dealer for details.

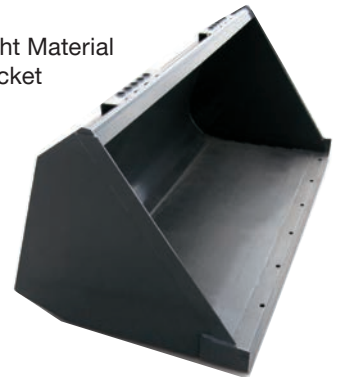
Dirt & Foundry Bucket



Low Profile Extended Bucket



Light Material Bucket



Manure & Slurry Bucket



Heavy Duty Dirt Bucket



Heavy Duty Extended Bucket with Smart Fit Teeth



C327	C332	C334	C337	C345
X				
X				
X	X	X	X	X
X				
X				
X				
X	X	X	X	X
X	X	X	X	X
X				
X	X	X	X	X
X				
X	X	X	X	X
X	X	X	X	X



World class products demand world class dealers.



The purchase of a New Holland machine is just the beginning of our relationship together. Consider your experienced New Holland Construction equipment dealer as your local partner in productivity. Assistance in selecting the right model for your operation and developing an affordable leasing or financing plan through New Holland's financing division, CNH Industrial Capital, are just a few advantages your local dealer can provide.

Your New Holland dealer's full-service capabilities bring you responsive support with genuine New Holland parts and all-makes

coverage. More importantly, we are there wherever and whenever you need us with our fully equipped service vehicles. From customized maintenance programs to professional operator and technical training, our factory-trained service and parts experts are there to assist you with any of your equipment support needs.

Your business deserves nothing less than world-class products, supported by a world-class business partner. That's your local New Holland Construction equipment dealer — your partner in productivity.



Learn more at www.newholland.com

New Holland Construction
500 Diller Ave.
New Holland, PA 17557

www.newholland.com

Design, materials and/or specifications are subject to change without notice and without liability therefor. Specifications are applicable to units sold in Canada, the United States, its territories and possessions, and may vary outside these areas.

© 2020 CNH Industrial America LLC. All rights reserved. New Holland is a trademark in the United States and many other countries, owned by or licensed to CNH Industrial N.V., its subsidiaries or affiliates. Any trademarks referred to herein, in association with goods and/or services of companies other than CNH America LLC, are the property of those respective companies.



Safety begins with a thorough understanding of the equipment. Always make sure you and your operators read the Operator's Manual before using the equipment. Pay close attention to all safety and operating decals and never operate machinery without all shields, protective devices and structures in place. This is a one-person machine. Never allow riders in the cab, outside the machine, or in/on any bucket or attachment.

NHC35145438 • 0220 • OTP • PRINTED IN U.S.A.