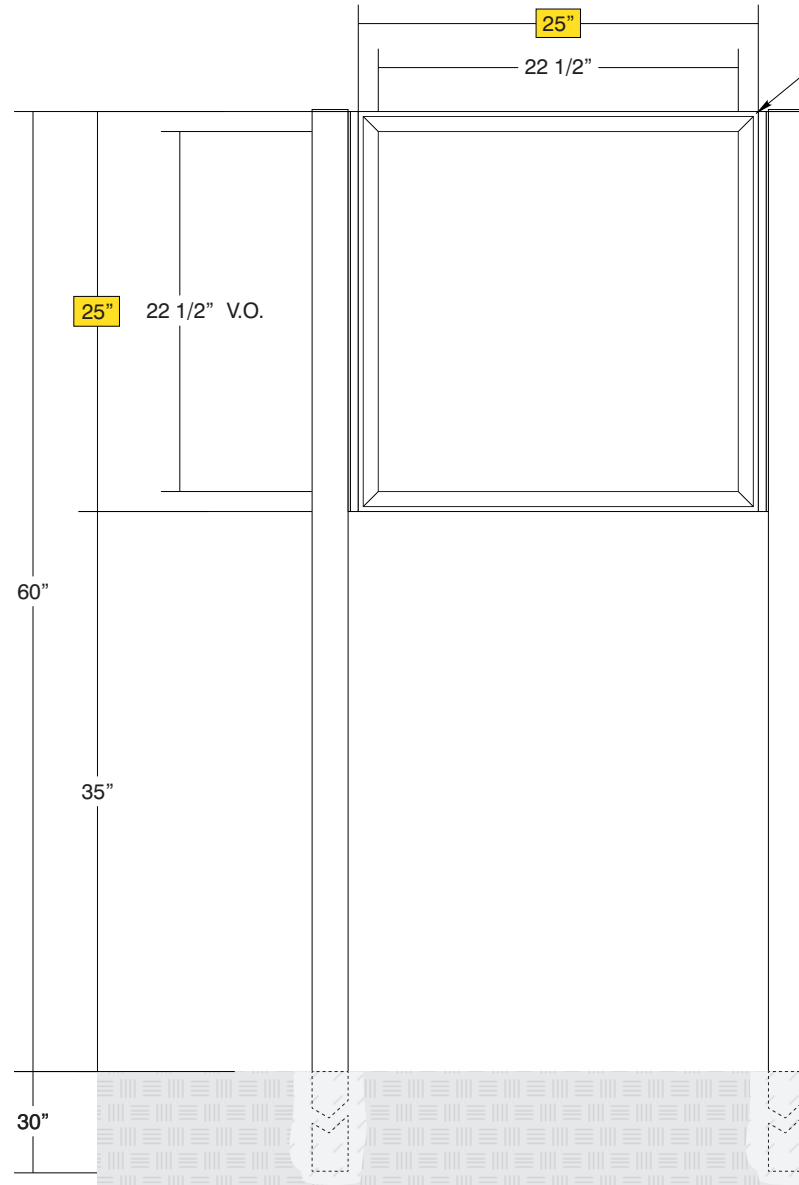


TOP VIEW



SIDE A



• **Sign System: HED-150 Standard**

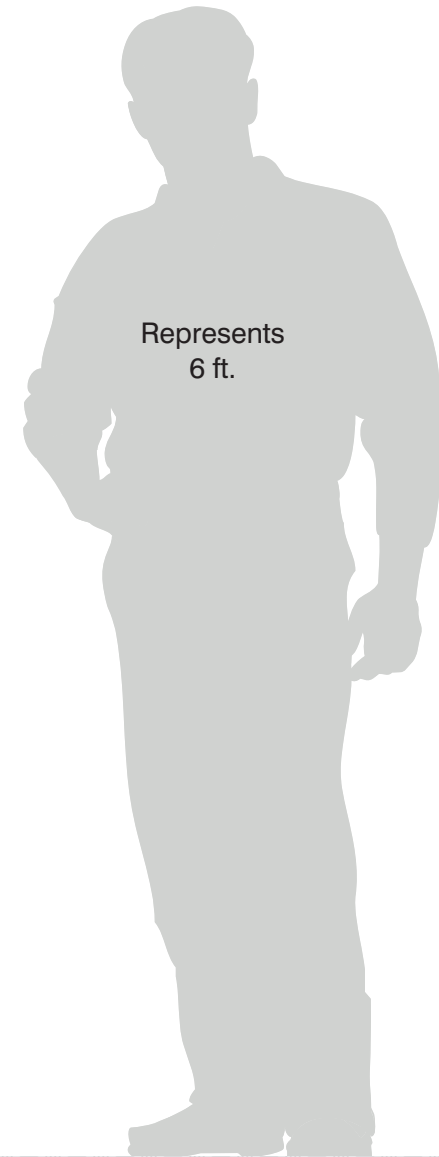
- (2) .080" Aluminum Panel: (H) 24" x (L) 24"

• **Paint:**

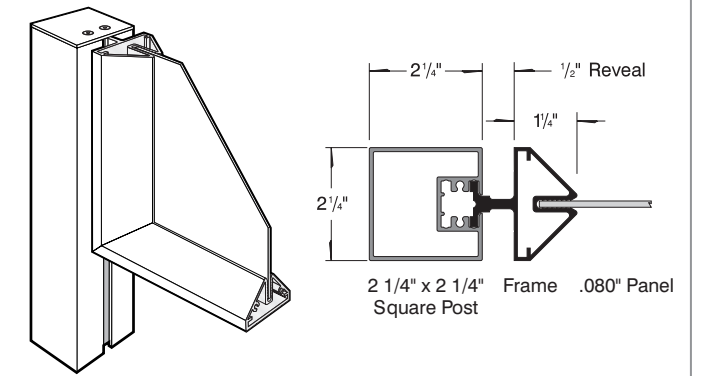
- Standard White - Frame, Panels, Posts, Caps,

• **Double Post Mount**

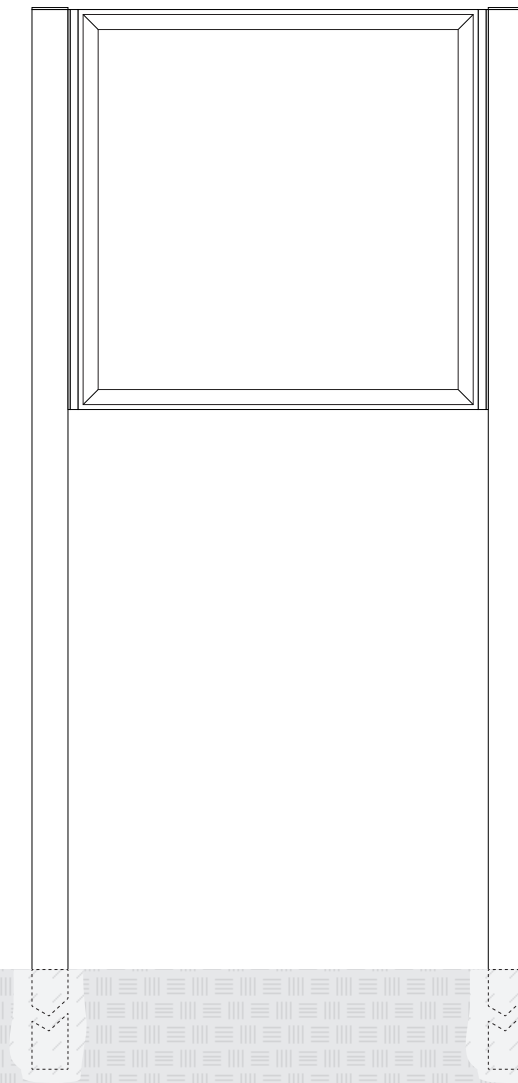
- (2) Post Size: 2 1/4" x 2 1/4" x (L) 90" with Caps




HED-150 Detail



SIDE B



Date	DWG# HED-150_Standard	Scale:	1"=1'	Customer	Mounting	Double Post Mount		Quote #		 <p>• 6400 Howard Drive, Fairview PA 16415 • Toll Free 800.458.0591 • • PA 814.833.7000 • Fax 814.838.0011 • www.howardindustries.com</p> <p>All concepts and designs represented by this drawing are the property of Howard Industries and may not be reproduced or used in any manner without written consent. ©Copyright 2020 Howard Industries.</p>
XX.XX.XX				Location	SF/DF	Double Face		Sales Rep.		
Quantity				System	Illuminated	NO	UL	Illustrator:		
1					Voltage	N/A	Amp	N/A		
Page					ADA	No	Rev. 0	Reviewed By:		
1 of 1				HED-150 (24" x 24") Standard Sign System	*Due to the ADA/ANSI's wide interpretation and other factors that may exist, we cannot affirm compliance in all situations and is hereby removed from responsibility regarding these issues.					