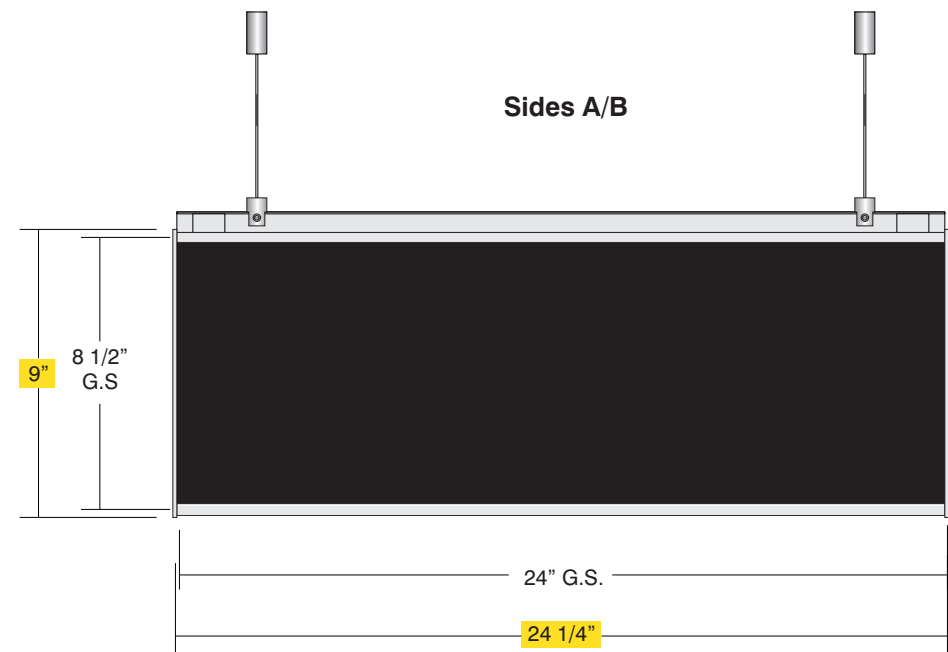


Part ID	QTY	Material/Color/Finish	H x W (in)
• Frame	4	HID Anodized Aluminum	24
• Backer	2	2mm Black Sintra	4.375 x 24
• Support Panel	2	.044 Black PVC	8.688 x 24
• Lens	2	Clear Matte (Lens) 321-101	.0625 8.5 x 24
• Paper Insert	0	By Others	8.5 x 24
• End Caps	2	Silver 341-304	.125 9 x 1.375
• Mounting Tabs	2	.050 Aluminum; Painted Simulated Brushed	2.75 x 1
• Mounting Extrusion	1	Anodized Aluminum Angle Ceiling Bracket	1 x 24
• Ceiling Barrel	2	100.268A Ceiling Mounted Holder	1.188 x .625
• Cable Fork	2	ACA1660 Cable Suspended Clamp	.625 x .875
• Cable	2	100.383 SS Cable 1/16"	36

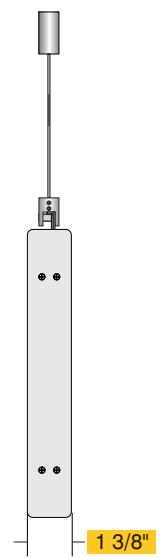
Top View



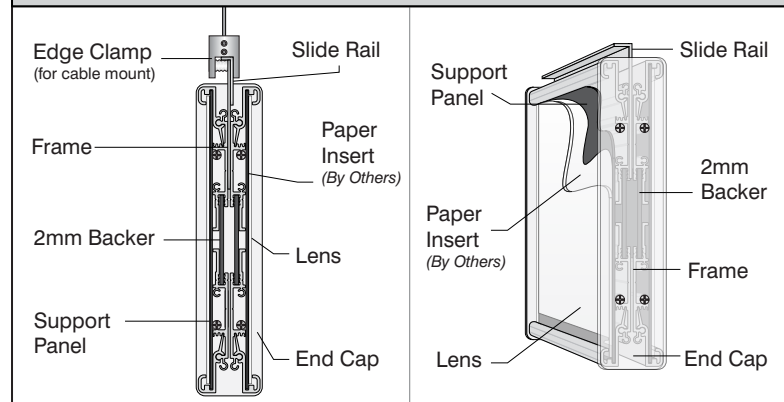
Front View



Side View



CML-F Series Detail



Graphic Size is also the Lens Size - Extends into the frame 3/16"
 Highlighted Areas Denote Overall Size

Date	DWG# HID_CML-F8524	Scale: 4"=1'	Customer	Mounting SF/DF	Wall Mount Single Face	Quote #	
Quantity	1		Location	Illuminated Voltage	UL Amp	Sales Rep.	
Page	1 of 1		System	ADA	No	Illustrator:	
						Reviewed By:	



• 6400 Howard Drive, Fairview PA 16415 • Toll Free 800.458.0591 •
 • PA 814.833.7000 • Fax 814.838.0011 •
 www.howardindustries.com

All concepts and designs represented by this drawing are the property of Howard Industries and may not be reproduced or used in any manner without written consent. ©Copyright 2023 Howard Industries.