

**MARINHA DO BRASIL**  
**SERVIÇO DE SELEÇÃO DO PESSOAL DA MARINHA**

*(CONCURSO PÚBLICO PARA INGRESSO NOS QUADROS  
COMPLEMENTARES DE OFICIAIS DA MARINHA / CP-  
QC-CA E QC-FN / 2021)*

**NÃO ESTÁ AUTORIZADA A UTILIZAÇÃO DE  
MATERIAL EXTRA**

**ELETRÔNICA**

ENGENHARIA DE COMPUTAÇÃO

ENGENHARIA DE CONTROLE E AUTOMAÇÃO

ENGENHARIA DE TELECOMUNICAÇÕES

ENGENHARIA ELÉTRICA

ENGENHARIA ELÉTRÔNICA

Read the text below and answer the questions 1 and 2.

### Pacific Northwest Wineries Are Shaking Off the Extreme Heat Wave, but Are Worried What It Means for the Industry's Future

The unprecedented heat wave that descended on the Pacific Northwest this week has alarmed many in the region's burgeoning wine industry, leaving them worried over the deepening challenges climate change could bring to their businesses.

Earlier this week, temperatures skyrocketed as high as 117 degrees Fahrenheit in Oregon's Willamette Valley—an area known for cool-climate wines like Pinot Noir—while Washington state might have broken its all-time state record with Chelan County recording a high of 119 degrees on Tuesday. Mark Chien, an experienced grape grower and the program coordinator for Oregon State University's Oregon Wine Research Institute, tells TIME that wineries may have come away largely unscathed from this week's sizzling temperatures. However, he says continued extreme weather events could threaten the industry's future.

With a heat spike like this, there are the immediate concerns and then there are the medium-to-long-term consequences of climate change—especially in a place like the Willamette Valley, which is prized for its cool climate," Chien says. "Climate change is taking the region away from its hallmark reputation. The industry is going to have to deal with that."

At Willamette Valley Vineyards in Oregon, CEO and founder Jim Bernau says that, fortunately, this week's heat occurred at the point in the growing season when it could cause the least amount of damage.

"Mother nature picked the absolute best time for this heat because we'd already been through flowering, we'd already been through fruit set," he said. "It rained twice the average amount in June so the ground was charged with water and our vines had produced very vigorous canopies and leaf cover. Our little berry clusters had yet to start to grow so they didn't experience any dehydration."

But if the extreme temperatures lasted more than a few days, Bernau says it would spell major trouble for the vineyard's vines.

(Adapted from <https://time.com>)

### QUESTÃO 2

"Mother nature picked the absolute best time for this heat because we'd already been through flowering, we'd already been through fruit set," he said. "It rained twice the average amount in June so the ground was charged with water and our vines had produced very vigorous canopies and leaf cover. Our little berry clusters had yet to start to grow so **they** didn't experience any dehydration." What does the term in bold refers to?

- (A) Mother nature.
- (B) Willamette Valley.
- (C) Berry clusters.
- (D) Our vines.
- (E) Vigorous canopies.

### Last Air Force POW officially retires

Lt. Col. Rob Sweet, the Air Force's last-serving prisoner of war, retired June 6 after 33 years of service. On Feb. 15, 1991, Sweet and his flight commander, Capt. Stephen R. Phillis, crossed the northern border of Kuwait, further into Iraq than any A-10 pilot had gone before. Their mission was to eliminate Iraqi Republican Guard tanks about 80 miles past the border of Kuwait. As Sweet moved in to attack it, he felt a bump. Looking back, he saw the rear end of his right wing in flames.

In an interview, Sweet said his first thought was "oh, man, I'm hit" before racing to the border. It was too late. Within minutes, he was forced to eject and landed 50 feet from the same tanks that shot him down.

After crashing, 200 Iraqi soldiers ran towards him and took him captive. For 19 days, Sweet experienced brutality as a prisoner of war. Despite his suffering, Sweet endured. He credits his military training, specifically his Survival, Evasion, Resistance, and Escape (SERE) school, with his survival. "There were very few surprises in the jailhouse," he said. "I knew what to expect."

Lt. Col. Rob Sweet found a sense of purpose in mentoring and instructing young airman, particularly fighter pilots. The Chief of Staff of the Air Force, Gen. Charles Q. Brown, commended Sweet during his retirement ceremony. "Rob, I want to take this opportunity to recognize your service to our nation and congratulate you on your retirement," said Brown. "You've had an outstanding career that I know you, your family, friends and fellow Airmen are proud of. In closing, thank you for all you've done."

Sweet's advice to young airmen is to take every experience day by day. "Bloom where you're planted," Sweet said. "You're going to have assignments you don't like, but make the most of them and move on."

(Adapted from <https://www.militarytimes.com>)

### QUESTÃO 1

According to the text, it is correct to state that:

- (A) the heat wave collapsed the wine industry.
- (B) the vineyards will never be threatened.
- (C) the industry is in trouble at this moment.
- (D) Willamette Valley area is always a hot spot.
- (E) the vines had produced due to unexpected rain.

### QUESTÃO 3

According to the text, it is correct to state that:

- (A) after being forced to eject from the aircraft, Lt. Col. Rob Sweet was a prisoner of war in Kuwait for more than 19 days.
- (B) mentoring and instructing young airman, particularly fighter pilots, is purposeless to Lt. Col. Rob Sweet.
- (C) Lt. Col. Rob Sweet endured after had been taken captive as a prisoner of war, despite his military training.
- (D) the Chief of Staff of the Air Force, Gen. Charles Q. Brown, described Lt. Col. Rob Sweet's career as impressive.
- (E) according to Lt. Col. Rob Sweet, young airmen shouldn't live for the moment, but move on without doing their tasks.

### QUESTÃO 4

Which option is grammatically correct?

- (A) If I had gone to the party last night, I would have meet my friends.
- (B) If I had been able to get a ticket, I would have gone to the game.
- (C) If she had knew you were in hospital, she would have visited you.
- (D) If I had done better at the interview, I would have get that position.
- (E) If Thomas hadn't being wearing a seat belt, he would have been hurt.

### QUESTÃO 5

Mark the sentence that is grammatically correct.

- (A) Mary and David always go out for dinner at weekends. It is a kind of family tradition.
- (B) You're a very lucky person! None of the furnitures appear to be damage.
- (C) There was an accident next to our house, but we neither saw or heard anything.
- (D) I met Jim a few days ago. He'd just came back from holiday. He looked very well.
- (E) Try to be positive instead of go to work thinking that it will be totally boring.

### QUESTÃO 6

Choose the correct option to complete the text below.

A blockchain oracle is a device or entity that \_\_\_\_\_ a deterministic blockchain with off-chain data (data outside of the network). Blockchain oracles are essentially third-party services that provide smart contracts with external information.

Blockchain oracles \_\_\_\_\_ as a bridge between blockchains and the outside world. They \_\_\_\_\_ it possible for smart contracts on blockchains to access off-chain data.

Due to contractual agreements and other methods of key information needed by blockchain applications, it is often imperative to have relevant information from the outside world present to execute the agreement in question. This is the point where blockchain oracles \_\_\_\_\_ play.

(Adapted from <http://makeuseof.com>)

- (A) connects / serves / make / come into
- (B) connect / serves / make / comes into
- (C) connects / serve / make / come into
- (D) connect / serve / makes / come into
- (E) connects / serve / make/ comes into

### QUESTÃO 7

Choose the correct option to complete the paragraph below.

With the shortage of moving company capacity, an untold number of military members are deciding to move their household goods to their next duty station \_\_\_\_\_. If you are one of those do-it-yourself types, the government provides financial incentives, but the amount of money you pocket will depend \_\_\_\_\_ how organized and resourceful you are, and how much sweat equity you put \_\_\_\_\_ the process. If you're able \_\_\_\_\_ pack, load, unload and unpack yourself without hiring help to do it, you can pocket the most money.

(Adapted from <https://www.militarytimes.com>)

- (A) themselves / of / on / to
- (B) itself / on / into / to
- (C) themselves / on/ into / of
- (D) itself / of / on / of
- (E) themselves / on / into / to

### QUESTÃO 8

Read this paragraph.

Military leaders have said that a lack of child care at military bases creates scheduling and stress issues for troops, which leads to readiness concerns for the entire force. Lawmakers in recent years have worked to increase those options for active-duty personnel.

(Adapted from [https:// www.militarytimes.com](https://www.militarytimes.com))

Which option completes the sentence below correctly?

Militaries \_\_\_\_\_ kids do not have a form of child care at the base feel stressed.

- (A) which
- (B) whose
- (C) where
- (D) who
- (E) whom

### QUESTÃO 9

Choose the correct option to complete the paragraph below.

If you actively follow tech news, you \_\_\_\_\_ of NFTs (non-fungible tokens) once or twice in recent months. The idea \_\_\_\_\_ hugely popular over a short period of time, taking the market by storm. And while many \_\_\_\_\_ excited for the future possibilities surrounding this market, things \_\_\_\_\_ exactly work out as some were hoping. In the end, the NFT market proved to be a passing trend that eventually \_\_\_\_\_ collapsing. But it still left us with some food for thought.

(Adapted from [http:// makeuseof.com](http://makeuseof.com))

- (A) have heard / grew / were / didn't / ended up
- (B) heard / grew / were / don't / end up
- (C) have heard / has grown / was / don't / end up
- (D) have heard / grow / were / didn't / ended up
- (E) heard / grow / was / don't / end up

### QUESTÃO 10

Choose the only phrasal verb that correctly fills the gap below.

The final game had to be \_\_\_\_\_ due to weather conditions.

- (A) taken off
- (B) set off
- (C) pissed off
- (D) called off
- (E) seen off

### QUESTÃO 11

Seja a equação diferencial de segunda ordem  $\ddot{y}(x) + y(x) = \cos(x)$ . Considerando as condições iniciais  $y(0) = 1$  e  $\dot{y}(0) = 0$ , determine  $y(2)$  e assinale a opção correta.

- (A)  $\cos(2)$
- (B)  $\sin(2)$
- (C)  $\cos(2) + \sin(2)$
- (D)  $\cos(2) + 2\sin(2)$
- (E)  $\cos(2) - \sin(2)$

### QUESTÃO 12

Considere  $M$  um número natural e o sinal de tempo discreto  $x[n]$  definido por:

$$x[n] = \begin{cases} 1, & \text{se } |n| \leq M \\ 0, & \text{se } |n| > M \end{cases}$$

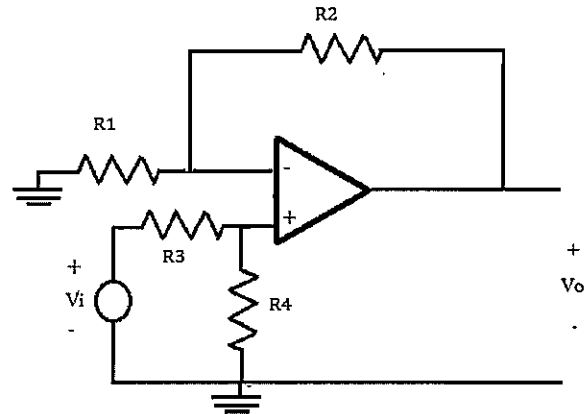
Seja  $X(e^{j\Omega})$  a Transformada de Fourier em Tempo Discreto de  $x[n]$ , determine o menor valor positivo de  $\Omega$ , tal que  $X(e^{j\Omega})$  seja nulo, e assinale a opção correta.

- (A)  $\frac{\pi}{2M+1}$
- (B)  $\frac{2\pi}{2M+1}$
- (C)  $\frac{\pi}{M+1}$
- (D)  $\frac{2\pi}{M+1}$
- (E)  $\frac{\pi}{M+2}$

### QUESTÃO 13

Considere o circuito representado pela figura abaixo, implementado com um Amplificador Operacional, e assinale a opção que apresenta o valor de  $V_o$  para:

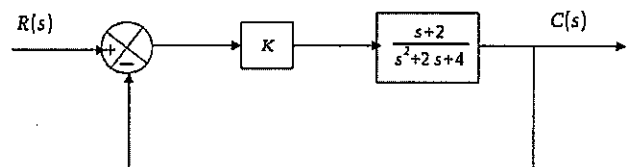
- $V_i = 3 \text{ V}$
- $R_1 = 5\Omega$
- $R_2 = 10\Omega$
- $R_3 = 2\Omega$
- $R_4 = 4\Omega$



- (A) 5 V
- (B) 6 V
- (C) 8 V
- (D) 10 V
- (E) 12 V

### QUESTÃO 14

Considere o sistema realimentado abaixo:



O ajuste do controlador proporcional  $K$  é utilizado para alocar os polos de malha fechada do sistema em uma região desejada. Determine o valor positivo de  $K$  para o qual o sistema realimentado possua dois polos reais idênticos e assinale a opção correta.

- (A)  $K=7$
- (B)  $K=6$
- (C)  $K=5$
- (D)  $K=4$
- (E)  $K=2$

### QUESTÃO 15

Seu um circuito combinacional determinado pelas entradas X, Y e Z e sua função composta pela soma de mintermos  $F = \bar{X} Y \bar{Z} + \bar{X} \bar{Y} Z + \bar{X} \bar{Y} \bar{Z}$ , assinale a opção que apresenta a expressão simplificada da referida função.

- (A)  $Y + Z$
- (B)  $\bar{X}$
- (C)  $\bar{Y}$
- (D)  $\bar{X} + Y$
- (E)  $\bar{X} Z$

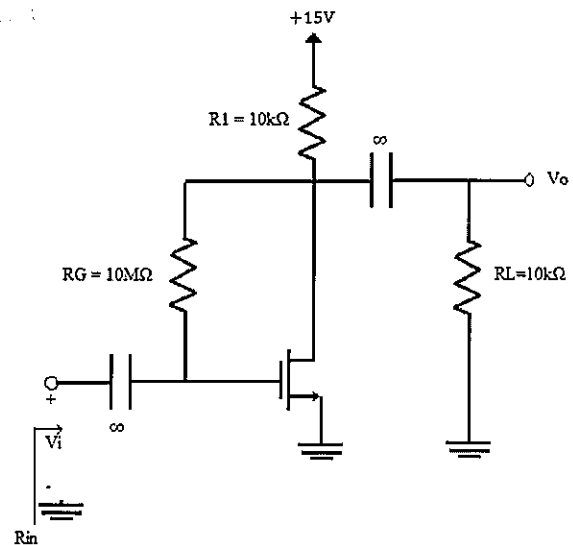
### QUESTÃO 16

No vácuo, uma carga puntiforme Q gera, à distância X, um campo elétrico de intensidade 450 N/C e um potencial elétrico de 90 V em relação ao infinito. Sabendo que  $k = 9 \cdot 10^9 \text{ Nm}^2 / \text{C}^2$ , determine o valor da carga Q e assinale a opção correta.

- (A) 1 nC
- (B) 2 nC
- (C) 3 nC
- (D) 4 nC
- (E) 5 nC

### QUESTÃO 17

A Figura abaixo demonstra um amplificador com MOSFET tipo enriquecimento.



Supondo que os capacitores de acoplamento apresentados na figura sejam de valores suficientemente altos para funcionar como curto-circuito, determine os valores do ganho de tensão para pequenos sinais, bem como sua resistência de entrada, e assinale a opção correta que apresenta respectivamente esses valores.

Dados:

$$V_t = 1,5\text{V}$$

$$k'_n (W/L) = 0,25\text{mA/V}^2$$

$$V_A = 50\text{V}$$

- (A) -1,3 e 1,33MΩ
- (B) -2,3 e 3,33MΩ
- (C) -3,3 e 2,33MΩ
- (D) -4,3 e 5,33MΩ
- (E) -5,3 e 4,33MΩ

### QUESTÃO 18

A probabilidade de que um paciente se recupere de uma operação delicada é de  $1/4$ . Considere que: cada operação é independente uma da outra; para cada operação só existem as possibilidades "recuperação" e "não recuperação"; a probabilidade de recuperação é a mesma para cada operação. A probabilidade de, dentre os próximos quatro pacientes, menos de dois pacientes se recuperarem é de:

- (A)  $\frac{189}{256}$
- (B)  $\frac{5}{8}$
- (C)  $\frac{3}{32}$
- (D)  $\frac{27}{64}$
- (E)  $\frac{513}{1024}$

### QUESTÃO 19

Sobre Cálculo Vetorial, analise as afirmativas abaixo.

- I- Um campo vetorial  $F$  é conservativo se o seu divergente é nulo.
- II- O rotacional do gradiente de qualquer função escalar é zero.
- III- O Teorema do Divergente é a versão generalizada em três dimensões do Teorema de Green.
- IV- Se um campo vetorial não-nulo tem divergente não-nulo, então esse campo pode ser o rotacional de outro campo vetorial.
- V- Seja um campo vetorial  $F$  de domínio  $\mathbb{R}^3$ . Se o rotacional de  $F$  é nulo, então qualquer integral de linha de  $F$  depende apenas dos pontos inicial e final do percurso.

Assinale a opção correta.

- (A) Apenas as afirmativas I, II e IV estão corretas.
- (B) Apenas as afirmativas II, III e V estão corretas.
- (C) Apenas as afirmativas I, III e IV estão corretas.
- (D) Apenas as afirmativas II e V estão corretas.
- (E) Apenas as afirmativas II e IV estão corretas.

### QUESTÃO 20

A Tabela Verdade abaixo demonstra a saída  $Y$  de um circuito combinacional cujas entradas são variáveis booleanas  $A$ ,  $B$  e  $C$ , onde  $A$  é o bit mais significativo.

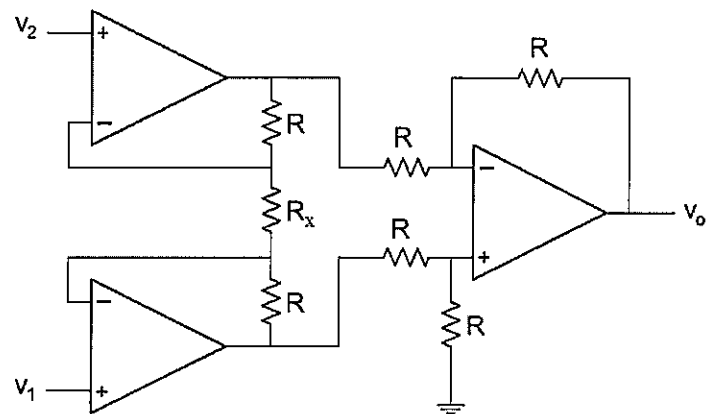
A	B	C	Y
0	0	0	0
0	0	1	1
0	1	0	0
0	1	1	1
1	0	0	0
1	0	1	1
1	1	0	0
1	1	1	1

A partir da referida tabela, assinale a opção que apresenta a expressão minimizada de  $Y$ .

- (A)  $Y = A C$
- (B)  $Y = A \cdot \bar{C}$
- (C)  $Y = C$
- (D)  $Y = \bar{A}$
- (E)  $Y = A$

### QUESTÃO 21

Considere a figura abaixo para determinar o valor da resistência  $R_x$ , em função de  $R$ , para que se tenha  $V_0 = 5/2(V_1 - V_2)$  e assinale a opção correta.



- (A)  $2/3R$
- (B)  $R$
- (C)  $4/3R$
- (D)  $7/3R$
- (E)  $2R$

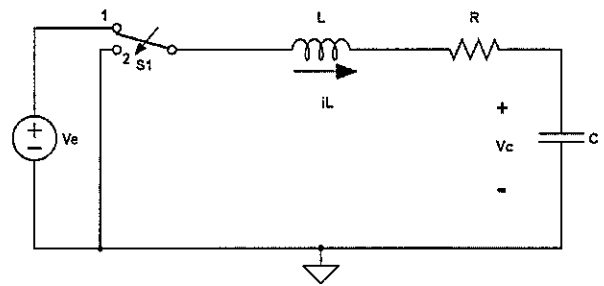
## QUESTÃO 22

De uma caixa que contém 3 canetas verdes e 3 canetas amarelas foram retiradas 3 canetas aleatoriamente. Em seguida, apenas uma foi selecionada dentre as 3 retiradas. A probabilidade de que essa caneta seja verde, é de:

- (A)  $\frac{7}{24}$   
 (B)  $\frac{19}{35}$   
 (C)  $\frac{1}{2}$   
 (D)  $\frac{19}{60}$   
 (E)  $\frac{1}{6}$

## QUESTÃO 23

Observe o circuito abaixo:



$R=5 \Omega$   
 $L=1 \text{ H}$   
 $C=1/6 \text{ F}$

No circuito acima, a chave  $S_1$  ficou na posição 2 por um longo período. Em um primeiro instante, a chave  $S_1$  foi para a posição 1. Após um longo período de tempo, em um segundo instante, a chave  $S_1$  voltou para a posição 2. Considerando o que foi descrito e que  $t$  representa o tempo, analise as afirmativas.

- I- Considerando que  $t=0$  seja o instante em que a chave foi para a posição 1 (primeiro instante), a equação que descreve a tensão no capacitor, para  $t \geq 0^+$  é  $V_c(t) = 2V_e e^{-3t} - 3V_e e^{-2t}$ .
- II- Considerando que  $t=0$  seja o instante em que a chave voltou para a posição 2 (segundo instante), a tensão e a corrente no capacitor, em um instante infinitesimal anterior  $t=0$ , são, respectivamente,  $V_c(0^-) = V_e$  e  $i_c(0^-) = 0$ .
- III- Considerando que  $t=0$  seja o instante em que a chave foi para a posição 2 (segundo instante), a corrente no indutor  $i_L(t)$  e a variação da corrente no indutor em relação ao tempo  $\frac{di_L(t)}{dt}$  em um instante infinitesimal após  $t=0$  são, respectivamente,  $i_L(0^+) = 0$  e  $\frac{di_L(0^+)}{dt} = 0$ .
- IV- Considerando que  $t=0$  seja o instante em que a chave foi para a posição 2 (segundo instante), a expressão que descreve a corrente no indutor, para  $t \geq 0^+$  é  $i_L(t) = V_e(e^{-3t} - e^{-2t})$ .
- V- Considerando que  $t=0$  seja o instante em que a chave foi para a posição 2 (segundo instante), o valor absoluto da energia descarregada pelo capacitor entre  $t=0$  e  $t=\infty$  é  $E = \frac{V_e^2}{12}$ .

Assinale a opção correta.

- (A) Apenas as afirmativas I e IV estão corretas.  
 (B) Apenas as afirmativas I, III e V estão corretas.  
 (C) Apenas as afirmativas II, III e IV estão corretas.  
 (D) Apenas as afirmativas II, IV e V estão corretas.  
 (E) Apenas as afirmativas I, II e V estão corretas.



### QUESTÃO 24

Considere o sistema de controle em espaço de estados abaixo, no qual  $x_1(t)$  e  $x_2(t)$  são os estados,  $y(t)$  a saída, e  $u(t)$  a entrada do sistema:

$$\begin{bmatrix} \dot{x}_1(t) \\ \dot{x}_2(t) \end{bmatrix} = \begin{bmatrix} 0 & 1 \\ -1 & -2 \end{bmatrix} \begin{bmatrix} x_1(t) \\ x_2(t) \end{bmatrix} + \begin{bmatrix} a \\ 1 \end{bmatrix} u(t)$$

$$y(t) = [1 \quad 0,5b] \begin{bmatrix} x_1(t) \\ x_2(t) \end{bmatrix}$$

Um engenheiro de automação deseja investigar o comportamento dessa planta a partir da variação dos parâmetros  $a$  e  $b$ . Determine os valores de  $a$  e  $b$  para os quais o sistema perde tanto a controlabilidade completa de estado quanto a observabilidade completa e assinale a opção correta.

- (A)  $a=-1$  e  $b=2$
- (B)  $a=1$  e  $b=2$
- (C)  $a=1$  e  $b=-0,5$
- (D)  $a=-1$  e  $b=-2$
- (E)  $a=1$  e  $b=0,5$

### QUESTÃO 25

Considere a matriz  $A$  abaixo:

$$A = \begin{bmatrix} 2 & 4 & 4 \\ 2 & 5 & 6 \\ 2 & 4 & 5 \end{bmatrix}$$

A opção que representa a matriz inversa de  $A$  é:

- (A)  $\begin{bmatrix} \frac{1}{2} & 1 & -1 \\ -2 & 1 & 0 \\ 2 & -2 & 1 \end{bmatrix}$
- (B)  $\begin{bmatrix} 1 & -4 & 4 \\ 2 & 2 & -4 \\ -2 & 0 & 2 \end{bmatrix}$
- (C)  $\begin{bmatrix} \frac{1}{2} & -2 & 2 \\ 1 & 1 & -2 \\ -1 & 0 & 1 \end{bmatrix}$
- (D)  $\begin{bmatrix} -\frac{1}{2} & -1 & 1 \\ 2 & -1 & 0 \\ -2 & 2 & -1 \end{bmatrix}$
- (E)  $\begin{bmatrix} \frac{1}{2} & 2 & 2 \\ 1 & 1 & 2 \\ 1 & 0 & 1 \end{bmatrix}$

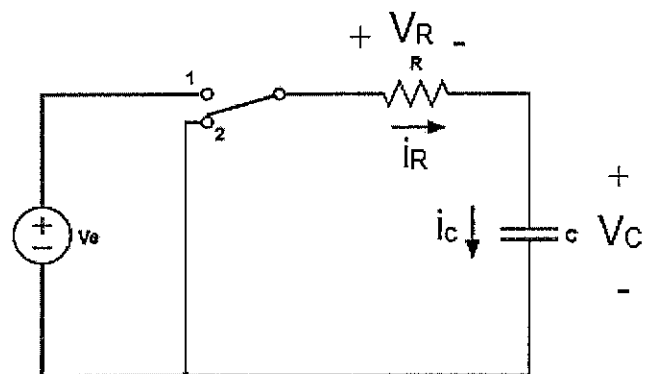
### QUESTÃO 26

A posição de uma partícula que se move no eixo  $x$  é dada por  $x = 5 + 7t - 2t^3$ , com  $x$  em metros e  $t$  em segundos. Qual das opções abaixo apresenta, respectivamente, o módulo da velocidade da partícula em  $t = 2s$  e o tipo da velocidade da partícula?

- (A) 15 m/s e velocidade constante.
- (B) 17 m/s e velocidade constante.
- (C) 15 m/s e velocidade variando continuamente.
- (D) 17 m/s e velocidade variando continuamente.
- (E) 19 m/s e velocidade constante.

### QUESTÃO 27

No circuito abaixo, a chave ficou na posição 1 por um longo período. Considerando que no instante  $t=0$ , a chave tenha ido para a posição 2, analise as afirmativas.



- I- A tensão e a corrente no capacitor, antes da chave ir para a posição 2 ( $V_C(0^-)$  e  $I_C(0^-)$ ), são, respectivamente,  $V_e$  e  $-V_e/R$ .
- II- A corrente no capacitor, após a chave ir para a posição 2, é descrita pela equação  $i_C(t) = \frac{-V_e}{R} e^{-\frac{t}{RC}}$ ,  $t > 0$ .
- III- A tensão no capacitor, após a chave ir para a posição 2, é descrita pela equação  $V_C(t) = -V_e (1 - e^{-\frac{t}{RC}})$ ,  $t > 0$ .
- IV- Após a chave ir para a posição 2,  $\lim_{t \rightarrow \infty} V_C(t) = 0$ .

Assinale a opção correta.

- (A) Apenas as afirmativas I, II e IV estão corretas.
- (B) Apenas as afirmativas I e III estão corretas.
- (C) Apenas as afirmativas II, III e IV estão corretas.
- (D) Apenas as afirmativas II e IV estão corretas.
- (E) Apenas a afirmativa III está correta.

### QUESTÃO 28

Em relação ao Critério de Estabilidade de Nyquist, analise as afirmativas abaixo.

- I- O critério de estabilidade de Nyquist determina a estabilidade de um sistema de malha fechada a partir da resposta em frequência do sistema em malha aberta e dos polos de malha aberta.
- II- É baseado no teorema do mapeamento de contornos no plano complexo. Um princípio básico desse teorema diz que, se um contorno no plano  $s$  envolver apenas um polo de uma função analítica  $F(s)$  no sentido horário, então o lugar geométrico do contorno no plano  $F(s)$  envolverá a origem uma vez no sentido horário.
- III- Para aplicação do critério de estabilidade de Nyquist, o contorno de interesse a ser mapeado é uma semicircunferência de raio infinito que envolve todo o semiplano direito do plano  $s$  no sentido horário. Esse contorno é chamado de percurso de Nyquist.
- IV- Se a função de transferência de malha aberta  $G(s)$   $H(s)$  não possui polos sobre o eixo imaginário, mas possui um polo no semiplano direito, então o sistema de malha fechada só será estável se o mapeamento do percurso de Nyquist no plano  $G(s)H(s)$  envolver o ponto  $-1+j0$  uma vez no sentido horário.

Assinale a opção correta.

- (A) Apenas as afirmativas II e III são verdadeiras.
- (B) Apenas as afirmativas I e III são verdadeiras.
- (C) Apenas as afirmativas I, II e IV são verdadeiras.
- (D) Apenas as afirmativas III e IV são verdadeiras.
- (E) Apenas as afirmativas I e IV são verdadeiras.

### QUESTÃO 29

A notação  $(n)_p$  representa o número  $n$  na base  $p$ . Determine o valor da expressão  $S = (11010010)_2 + (75)_{10} + (5F)_{16} + (60)_8$  na base hexadecimal e assinale a opção correta.

- (A)  $(1AC)_{16}$
- (B)  $(15C)_{16}$
- (C)  $(13C)_{16}$
- (D)  $(1BC)_{16}$
- (E)  $(1EC)_{16}$

### QUESTÃO 30

Considere o sistema de controle em espaço de estados abaixo, no qual  $x_1(t)$  e  $x_2(t)$  são os estados do sistema:

$$\begin{bmatrix} \dot{x}_1(t) \\ \dot{x}_2(t) \end{bmatrix} = \begin{bmatrix} 0 & 1 \\ -4 & -5 \end{bmatrix} \begin{bmatrix} x_1(t) \\ x_2(t) \end{bmatrix}$$

Determine a matriz de transição de estado e assinale a opção correta.

- (A)  $\frac{1}{3} \begin{bmatrix} 4e^{-t} - e^{-4t} & e^{-t} - e^{-4t} \\ 4e^{-t} - 4e^{-4t} & -e^{-t} + 4e^{-4t} \end{bmatrix}$
- (B)  $\frac{1}{3} \begin{bmatrix} 4e^{-t} + e^{-4t} & e^{-t} + e^{-4t} \\ -4e^{-t} + 4e^{-4t} & -e^{-t} + 4e^{-4t} \end{bmatrix}$
- (C)  $\frac{1}{3} \begin{bmatrix} 4e^{-t} - e^{-4t} & e^{-t} - e^{-4t} \\ 4e^{-t} + 4e^{-4t} & e^{-t} + 4e^{-4t} \end{bmatrix}$
- (D)  $\frac{1}{3} \begin{bmatrix} 4e^{-t} - e^{-4t} & e^{-t} - e^{-4t} \\ -4e^{-t} + 4e^{-4t} & -e^{-t} + 4e^{-4t} \end{bmatrix}$
- (E)  $\frac{1}{3} \begin{bmatrix} 4e^{-t} + e^{-4t} & e^{-t} - e^{-4t} \\ -4e^{-t} + 4e^{-4t} & e^{-t} + 4e^{-4t} \end{bmatrix}$

### QUESTÃO 31

Considere que  $T = \mathbb{R}^3 \rightarrow \mathbb{R}^2$  é uma transformação linear e  $B = \{V_1, V_2, V_3\}$  é uma base do  $\mathbb{R}^3$ , sendo  $V_1 = (0, 1, 0)$ ,  $V_2 = (1, 0, 1)$  e  $V_3 = (1, 1, 0)$ . Sabendo que  $T(V_1) = (2, -4)$ ,  $T(V_2) = (9, 3)$  e  $T(V_3) = (0, 8)$ , a transformação linear  $T(1, 6, -4)$  é igual a:

- (A)  $T(1, 6, -4) = (4, 2)$
- (B)  $T(1, 6, -4) = (3, 87)$
- (C)  $T(1, 6, -4) = (37, 39)$
- (D)  $T(1, 6, -4) = (7, 5)$
- (E)  $T(1, 6, -4) = (-34, 24)$

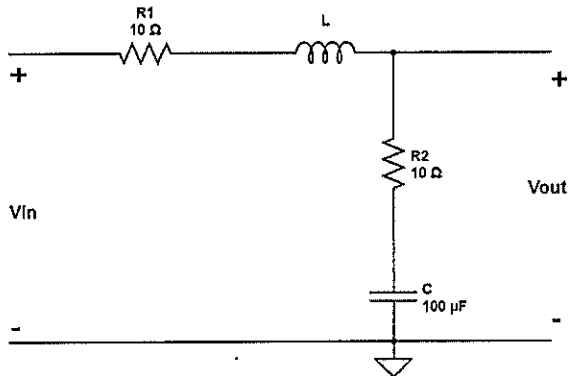
### QUESTÃO 32

Considere o sinal de tempo discreto  $x[n]$  cuja Transformada Z é dada por:  $X(z) = e^{z^2}$  com região de convergência  $\forall z$  tal que  $|z| < \infty$ . Determine  $x[2]$  e assinale a opção correta.

- (A)  $\frac{1}{4}$
- (B)  $\frac{1}{2}$
- (C)  $\frac{1}{6}$
- (D) 0
- (E) 1

### QUESTÃO 33

No circuito a seguir, sabe-se que a frequência da tensão  $V_{in}$  é igual à frequência de ressonância do circuito. Considerando  $|V_{out}| = \frac{|V_{in}|}{\sqrt{2}}$ , assinale a opção que apresenta, respectivamente, os valores da indutância (L) e da fase de  $\frac{V_{out}}{V_{in}}$ .



- (A) 10mH e  $45^\circ$ .
- (B) 10mH e  $-45^\circ$ .
- (C)  $100\mu\text{H}$  e  $-45^\circ$ .
- (D) 1mH e  $45^\circ$ .
- (E)  $100\mu\text{H}$  e  $45^\circ$ .

### QUESTÃO 34

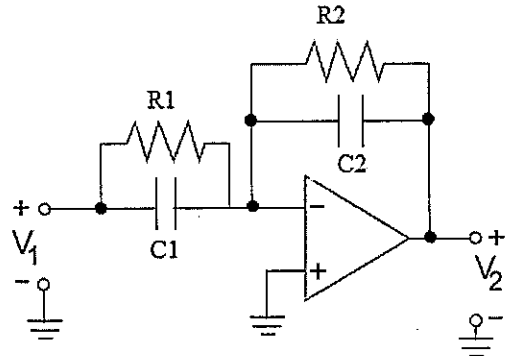
Considerando  $\ln 2 \approx 0,69$ , calcule o comprimento da curva definida por  $y = x^2 - \frac{\ln x}{8}$  entre  $x = 0,5$  e  $x = 2$ , e assinale a opção correta.

- (A) 3,92
- (B) 4,56
- (C) 5,34
- (D) 6,78
- (E) 8,18

### QUESTÃO 35

Supondo que o amplificador operacional da figura abaixo seja ideal, determine o valor da resistência R2, em k $\Omega$ , para que o polo da função de transferência do circuito esteja localizado em  $s = -1$  e assinale a opção correta.

Dado:  $R_1 = 2 \text{ k}\Omega$ ,  $C_1 = C_2 = 10\mu\text{F}$



- (A) 100
- (B) 300
- (C) 350
- (D) 400
- (E) 500

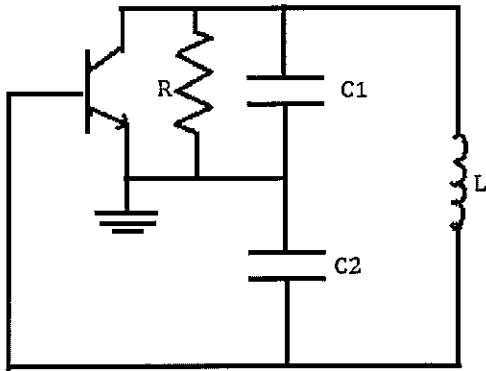
### QUESTÃO 36

Seja o sinal  $x(t)$  de tempo contínuo cuja Transformada de Laplace é dada por  $X(s) = \frac{s^2 + s + 2}{s^3 + 5s^2 + 10s + 6}$ . Considerando  $u(t)$  a função degrau unitário, determine  $x(t)$  e assinale a opção correta.

- (A)  $x(t) = \left[ \frac{1}{3}e^{-t} + \frac{2}{3}e^{-2t} \cos(\sqrt{2}t) - \frac{2\sqrt{2}}{3}e^{-2t} \sin(\sqrt{2}t) \right] u(t)$
- (B)  $x(t) = \left[ \frac{1}{3}e^{-t} + \frac{2}{3}e^{-2t} \cos(\sqrt{2}t) + \frac{2}{3}e^{-2t} \sin(\sqrt{2}t) \right] u(t)$
- (C)  $x(t) = \left[ \frac{2}{3}e^{-t} + \frac{1}{3}e^{-2t} \cos(\sqrt{2}t) - \frac{4\sqrt{2}}{3}e^{-2t} \sin(\sqrt{2}t) \right] u(t)$
- (D)  $x(t) = \left[ \frac{2}{3}e^{-t} + \frac{1}{3}e^{-2t} \cos(\sqrt{2}t) - \frac{2\sqrt{2}}{3}e^{-2t} \sin(\sqrt{2}t) \right] u(t)$
- (E)  $x(t) = \left[ \frac{1}{3}e^{-t} + \frac{2}{3}e^{-2t} \cos(\sqrt{2}t) + \frac{4}{3}e^{-2t} \sin(\sqrt{2}t) \right] u(t)$

### QUESTÃO 37

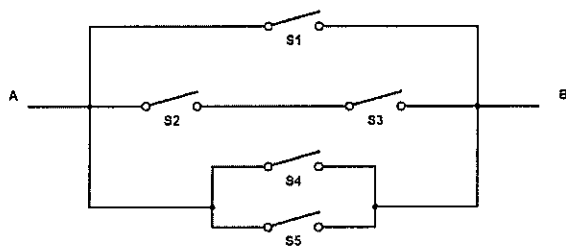
Como é conhecido o Oscilador LC sintonizado, comumente empregado, representado pela figura abaixo?



- (A) Hartley.
- (B) Oscilador em Quadratura.
- (C) Colpitts.
- (D) Ponte de Wien.
- (E) Oscilador por Deslocamento de Fase.

### QUESTÃO 38

Um sistema elétrico com chaves é ilustrado abaixo.



Sabe-se que:

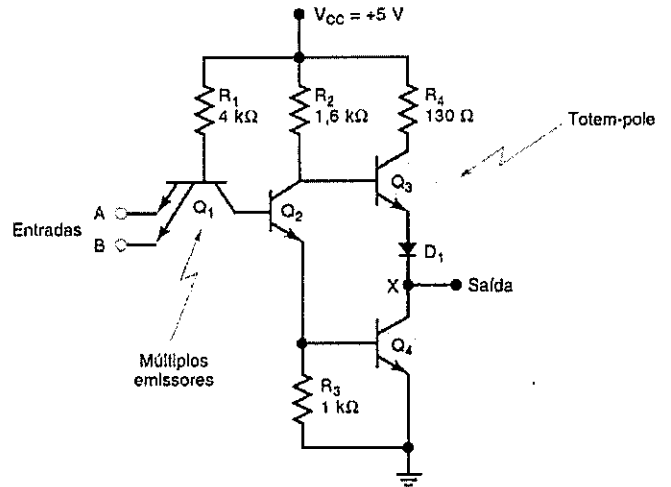
- As chaves funcionam independentemente uma da outra;
- As probabilidades de fechamento das chaves  $S_1$ ,  $S_2$ ,  $S_3$ ,  $S_4$ ,  $S_5$  são respectivamente  $P_1$ ,  $P_2$ ,  $P_3$ ,  $P_4$ ,  $P_5$ ; e
- $P_1 = 50\%$ ;  $P_2 = 2/3$ ;  $P_3 = 0,75$ ;  $P_4 = 1/3$ ;  $P_5 = 40\%$ .

A probabilidade do circuito AB estar fechado é igual:

- (A) 6%
- (B) 9%
- (C) 10%
- (D) 75%
- (E) 90%

### QUESTÃO 39

Considere o circuito abaixo e assinale a opção que representa a porta básica da família TTL ilustrada pelo circuito.



- (A) NOR
- (B) AND
- (C) NAND
- (D) Inversor Tristate
- (E) OR

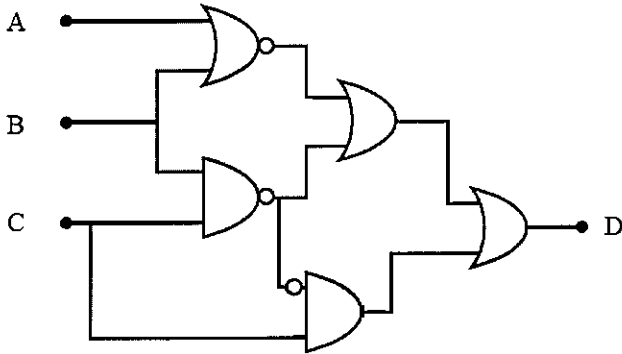
### QUESTÃO 40

Calcule  $\lim_{x \rightarrow 0} \frac{2 \tan(x) - x}{x^3}$  e assinale a opção correta.

- (A) 0
- (B)  $\infty$
- (C) 1
- (D)  $\frac{1}{3}$
- (E)  $\frac{2}{3}$

### QUESTÃO 41

A figura abaixo ilustra o circuito digital que gera o sinal D a partir dos sinais binários A, B e C. Determine a expressão booleana do sinal D e assinale a opção correta.



- (A) 0
- (B) 1
- (C) A
- (D) B
- (E) C

### QUESTÃO 42

Considere as matrizes A, B e C abaixo e analise as afirmativas a seguir:

$$A = \begin{bmatrix} 1 & 2 \\ 3 & 4 \end{bmatrix} \quad B = \begin{bmatrix} 2 & 3 \\ 5 & 1 \end{bmatrix} \quad C = \begin{bmatrix} 4 & 6 \\ 7 & 1 \end{bmatrix}$$

- I-  $\det(A^{-1} \cdot A^T) = 1$
- II-  $C^2(ABC)^{-1} = A^{-1} \cdot B^{-1} \cdot C$
- III- Se  $(BA)^{-1} = BA^T$ , então  $\det(CBA)^{-1} = \frac{\det(BA)}{\det(C)}$
- IV- Não existe uma matriz D quadrada 2x2, inversível, que satisfaça  $D^2=0$ , a menos que D seja uma matriz nula.

Assinale a opção correta.

- (A) Apenas as afirmativas I, III e IV estão corretas.
- (B) Apenas as afirmativas III e IV estão corretas.
- (C) Apenas as afirmativas II e III estão corretas.
- (D) Apenas as afirmativas I, II e IV estão corretas.
- (E) Apenas as afirmativas I e III estão corretas.

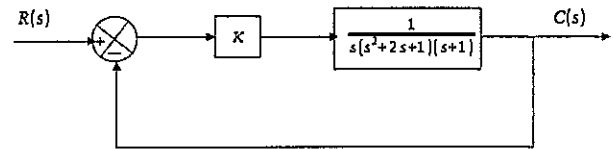
### QUESTÃO 43

Em uma linha de montagem, três máquinas,  $M_1$ ,  $M_2$  e  $M_3$ , produzem 30%, 60% e 10% do total de produtos, respectivamente. Sabe-se que 2%, 3% e 1% dos produtos das máquinas  $M_1$ ,  $M_2$  e  $M_3$ , respectivamente, são defeituosos. A probabilidade de que um produto já acabado, selecionado aleatoriamente, seja defeituoso é  $P_D$ . A probabilidade de que um produto, selecionado aleatoriamente, seja da máquina  $M_3$ , sabendo que ele é defeituoso, é  $P_D(3)$ . Conclui-se que  $P_D$  e  $P_D(3)$  são, respectivamente, iguais a:

- (A)  $\frac{3}{50}$  e  $\frac{1}{400}$
- (B)  $\frac{1}{40}$  e  $\frac{1}{25}$
- (C)  $\frac{13}{60}$  e  $\frac{1}{6}$
- (D)  $\frac{3}{50}$  e  $\frac{1}{25}$
- (E)  $\frac{1}{40}$  e  $\frac{1}{400}$

### QUESTÃO 44

Considere o sistema abaixo:

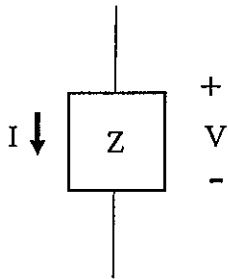


Determine o intervalo de K que estabiliza o sistema acima e assinale a opção correta.

- (A)  $\frac{8}{3} > K > 0$
- (B)  $\frac{16}{9} > K > 0$
- (C)  $\frac{8}{9} > K > 0$
- (D)  $\frac{2}{9} > K > 0$
- (E)  $2 > K > 0$

### QUESTÃO 45

Considere a impedância  $Z$  apresentada abaixo, em que é aplicada uma tensão senoidal  $V$  com frequência  $f$  e analise as afirmativas a seguir:



$$V_{rms} = 20 \text{ V}$$

$$\theta_V = 60^\circ$$

$$|Z| = 10 \Omega$$

$$\theta_Z = 30^\circ$$

$$Z = |Z| \angle \theta_Z$$

$$V = V_{rms} \angle \theta_V$$

$$I = I_{rms} \angle \theta_I$$

- I- A potência reativa é 20 e sua unidade é W (Watt).
- II- A frequência da potência instantânea na carga é a mesma da frequência da tensão, pois trata-se de um sistema linear.
- III- O fator de potência é adiantado, tratando-se de uma carga capacitiva.
- IV- A fase da potência complexa na carga é igual à fase da impedância da carga.
- V- Considerando que  $X$  é a reatância,  $Q$  é a potência reativa,  $fp$  é o fator de potência e  $\theta_Z$  é a fase da impedância do componente, verifica-se que

$$\frac{\sqrt{QX}}{fp \cdot V_{rms}} = \text{tg}(\theta_Z)$$

Assinale a opção correta.

- (A) Apenas as afirmativas I, II e III estão corretas.
- (B) Apenas as afirmativas II e V estão corretas.
- (C) Apenas as afirmativas IV e V estão corretas.
- (D) Apenas as afirmativas III e I estão corretas.
- (E) Apenas as afirmativas II, IV e V estão corretas.

### QUESTÃO 46

Considere que  $B_1$  seja uma base de um espaço vetorial  $V$ , e  $B_2$  seja uma base de  $V$  gerada a partir de  $B_1$  e da matriz de mudança de base.

$$B_1 = [(-1,1); (1,1)]$$

$$B_2 = [(-3,-1); (-1,3)]$$

Assinale a opção que apresenta a matriz de mudança de base.

(A)  $\begin{bmatrix} 1 & 3 \\ -1 & 2 \end{bmatrix}$

(B)  $\begin{bmatrix} 2 & 1 \\ -3 & 2 \end{bmatrix}$

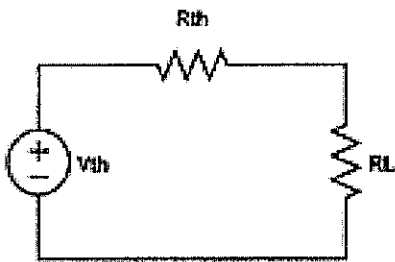
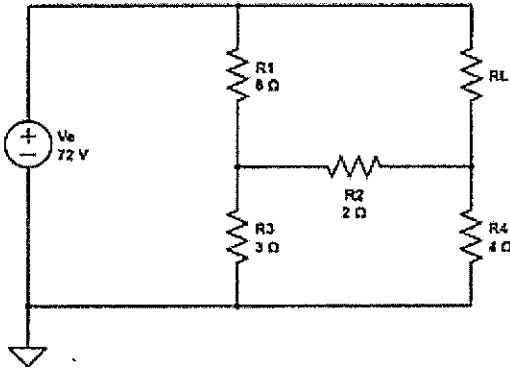
(C)  $\begin{bmatrix} -2 & 1 \\ 1 & 2 \end{bmatrix}$

(D)  $\begin{bmatrix} 1 & -2 \\ 2 & 1 \end{bmatrix}$

(E)  $\begin{bmatrix} 1 & 2 \\ -2 & 1 \end{bmatrix}$

### QUESTÃO 47

Considere o circuito a seguir, e assinale a opção que apresenta, respectivamente, a tensão de Thévenin ( $V_{th}$ ) e a resistência de Thévenin ( $R_{th}$ ) aplicadas à resistência  $R_L$ .



- (A)  $V_{th} = 60V$  e  $R_{th} = 2\Omega$
- (B)  $V_{th} = 24V$  e  $R_{th} = \frac{8}{3}\Omega$
- (C)  $V_{th} = 60V$  e  $R_{th} = 8\Omega$
- (D)  $V_{th} = 54V$  e  $R_{th} = 2\Omega$
- (E)  $V_{th} = 24V$  e  $R_{th} = \frac{10}{3}\Omega$

### QUESTÃO 48

Um sinal FM pode ser escrito da seguinte forma:  $\varphi(t) = A_c \cos(\theta_i(t))$

Nessa expressão,  $A_c$  é a amplitude da portadora modulada e o ângulo  $\theta_i(t)$  é função do sinal modulante  $f(t)$  que transmite a informação. Considerando o caso de  $f(t) = \cos(\omega_m t)$ , sendo a sensibilidade de frequência do modulador igual à sua sensibilidade de fase, determine o novo sinal modulante  $f_{PM}(t)$  para que seja gerado um sinal PM  $\varphi_{PM}(t)$  igual ao sinal FM  $\varphi(t)$  e assinale a opção correta.

- (A)  $f_{PM}(t) = \cos(\omega_m t - \frac{\pi}{2})$
- (B)  $f_{PM}(t) = \omega_m \cos(\omega_m t + \frac{\pi}{2})$
- (C)  $f_{PM}(t) = \omega_m \cos(\omega_m t - \frac{\pi}{2})$
- (D)  $f_{PM}(t) = \frac{\cos(\omega_m t - \frac{\pi}{2})}{\omega_m}$
- (E)  $f_{PM}(t) = \frac{\cos(\omega_m t + \frac{\pi}{2})}{\omega_m}$

### QUESTÃO 49

Um jogador de futebol chuta uma bola e a acerta no travessão. A partir daí, a bola sobe e atinge uma determinada altura máxima  $H$ , antes de iniciar um movimento de queda livre. Após ter percorrido 500 cm de queda desde a altura máxima, ela passa pelo travessão que mede 345 cm de altura. Assinale a opção que representa, respectivamente, o tempo, em segundos, que a bola gasta para atingir o solo a partir do momento que passou pelo travessão e o valor de  $H$  em cm.

Dados:  
Resistência do ar desprezível  
 $g = 10 \text{ m/s}^2$

- (A) 0,3 s e 500 cm.
- (B) 0,5 s e 500 cm.
- (C) 0,3 s e 845 cm.
- (D) 0,5 s e 845 cm.
- (E) 0,6 s e 500 cm.

## QUESTÃO 50

Em relação à Modulação de Pulso, analise as afirmativas abaixo.

- I- A distorção provocada pelo uso da Modulação por Duração de Pulso (PDM) para transmitir um sinal analógico portador de informação é chamada de "efeito de abertura".
- II- Em termos de potência de transmissão, a Modulação por Posição de Pulso (PPM) é mais eficiente que a Modulação por Duração de Pulso (PDM).
- III- Sistemas PCM (Modulação por Codificação de Pulso) costumam utilizar repetidores regenerativos ao longo do canal de transmissão para atenuar os efeitos de distorção e ruído no sinal. As três funções básicas executadas pelo repetidor regenerativo são Equalização, Temporização e Tomada de Decisão.
- IV- Os dois principais tipos de ruído em sistemas PCM são o Ruído de Canal e o Ruído de Equalização.

Assinale a opção correta.

- (A) Apenas as afirmativas II e III são verdadeiras.
- (B) Apenas as afirmativas I e III são verdadeiras.
- (C) Apenas as afirmativas II, III e IV são verdadeiras.
- (D) Apenas as afirmativas I, III e IV são verdadeiras.
- (E) Apenas as afirmativas II e IV são verdadeiras.

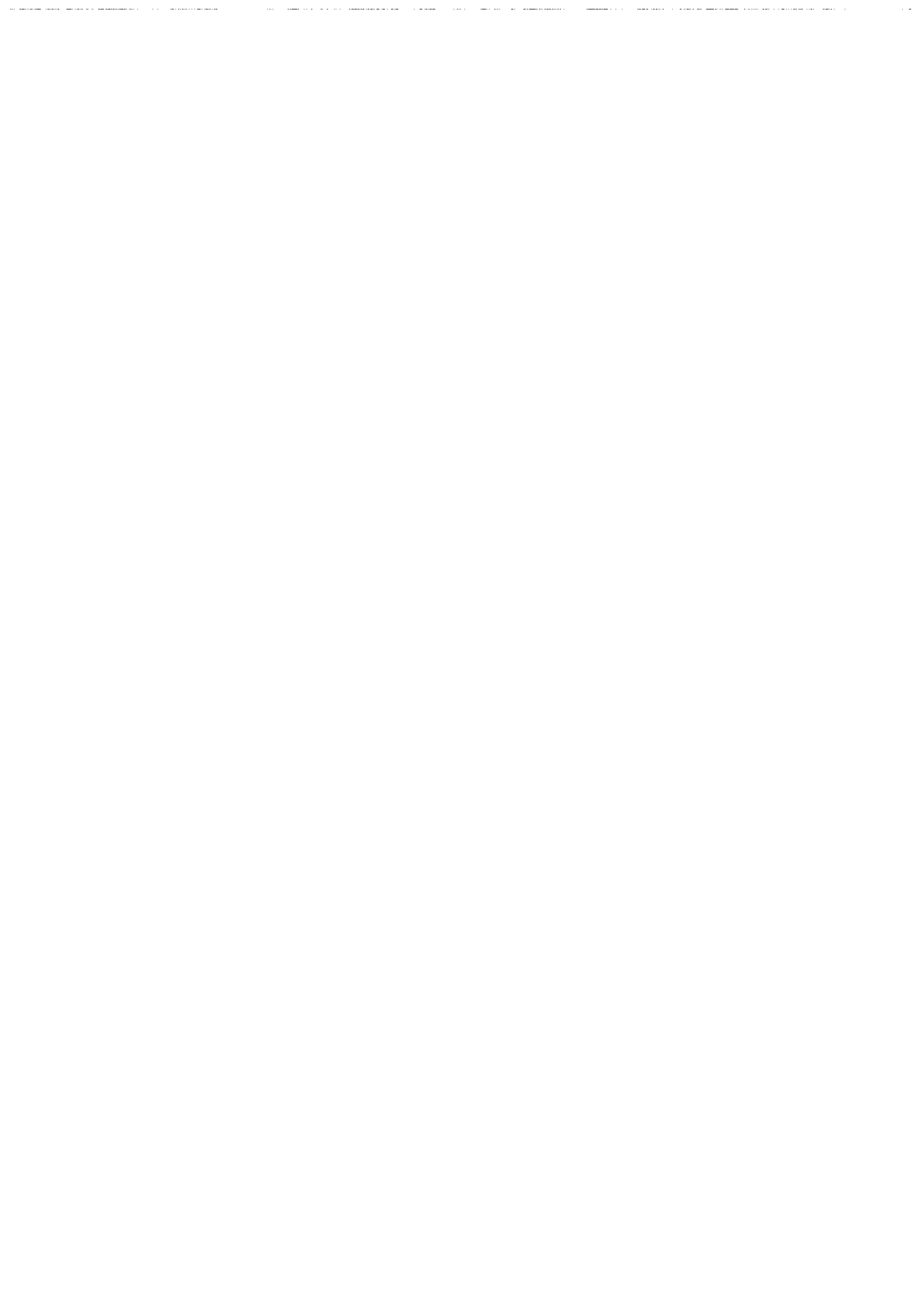



























# RASCUNHO PARA REDAÇÃO

TÍTULO:

1	
2	
3	
4	
5	
6	
7	
8	
9	
10	
11	
12	
13	
14	
15	
16	
17	
18	
19	
20	
21	
22	
23	
24	
25	
26	
27	
28	
29	
30	

**INSTRUÇÕES GERAIS AO CANDIDATO**

- 1 - Verifique se a prova recebida e a folha de respostas são da mesma cor (consta no rodapé de cada folha a cor correspondente) e se não faltam questões ou páginas. Escreva e assinhe corretamente seu nome, coloque seu número de inscrição e o dígito verificador (DV) apenas nos locais indicados;
- 2 - O tempo para a realização da prova será de 5 (cinco) horas, incluindo o tempo necessário à redação e à marcação das respostas na folha de respostas, e não será prorrogado;
- 3 - Só inicie a prova após ser autorizado pelo Fiscal, interrompendo sua execução quando determinado;
- 4 - A redação deverá ser uma dissertação com ideias coerentes, claras e objetivas, escritas em língua portuguesa. Deverá ter, no mínimo, 20 linhas contínuas, considerando o recuo dos parágrafos, e no máximo 30 linhas;
- 5 - Iniciada a prova, não haverá mais esclarecimentos. O candidato somente poderá deixar seu lugar, devidamente autorizado pelo Supervisor/Fiscal, para se retirar definitivamente do recinto de prova ou, nos casos abaixo especificados, devidamente acompanhado por militar designado para esse fim:
  - atendimento médico por pessoal designado pela MB;
  - fazer uso de banheiro; e
  - casos de força maior, comprovados pela supervisão do certame, sem que aconteça saída da área circunscrita para a realização da prova.
 Em nenhum dos casos haverá prorrogação do tempo destinado à realização da prova; em caso de retirada definitiva do recinto de prova, esta será corrigida até onde foi solucionada;
- 6 - Use caneta esferográfica preta ou azul para preencher a folha de respostas;
- 7 - Confira nas folhas de questões as respostas que você assinalou como corretas antes de marcá-las na folha de respostas. Cuidado para não marcar duas opções para uma mesma questão na folha de respostas (a questão será perdida);
- 8 - Para rascunho, use os espaços disponíveis nas folhas de questões, mas só serão corrigidas as respostas marcadas na folha de respostas;
- 9 - O tempo mínimo de permanência dos candidatos no recinto de aplicação de provas é de 150 minutos.
- 10 - Será eliminado sumariamente do processo seletivo/concurso e suas provas não serão levadas em consideração o candidato que:
  - a) der ou receber auxílio para a execução da Prova escrita objetiva de conhecimentos profissionais e da Redação;
  - b) utilizar-se de qualquer material não autorizado;
  - c) desrespeitar qualquer prescrição relativa à execução da Prova e da Redação;
  - d) escrever o nome ou introduzir marcas identificadoras noutro lugar que não o determinado para esse fim;
  - e) cometer ato grave de indisciplina; e
  - f) comparecer ao local de realização da Prova escrita objetiva de conhecimentos profissionais e da Redação após o horário previsto para o fechamento dos portões.
- 11 - Instruções para o preenchimento da folha de respostas:
  - a) use caneta esferográfica azul ou preta;
  - b) escreva seu nome em letra de forma no local indicado;
  - c) assinhe seu nome no local indicado;
  - d) no campo inscrição DV, escreva seu número de inscrição nos retângulos, da esquerda para a direita, um dígito em cada retângulo. Escreva o dígito correspondente ao DV no último retângulo. Após, cubra todo o círculo correspondente a cada número. Não amasse, dobre ou rasgue a folha de respostas, sob pena de ser rejeitada pelo equipamento de leitura ótica que a corrigirá; e
  - e) só será permitida a troca de folha de respostas até o início da prova, por motivo de erro no preenchimento nos campos nome, assinatura e número de inscrição, sendo de inteira responsabilidade do candidato qualquer erro ou rasura na referida folha de respostas, após o início da prova.
- 12 - Procure preencher a folha com atenção de acordo com o exemplo abaixo:



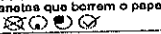

**Diretoria de Ensino da Marinha**

Nome: ROBERTO SILVA

Assinatura: Roberto Silva

**Instruções de Preenchimento**

- \* Não rasure esta folha.
- \* Não rabisque nas áreas de respostas.
- \* Faça marcas sólidas nos círculos.
- \* Não use canetas que boquem o papel.

ERRADO:  CORRETO: 

**PREENCHIMENTO DO CANDIDATO**

INSCRIÇÃO					DV	P G		
5	7	0	2	0	7	0	2	4
<input type="radio"/>	<input type="radio"/>	<input type="radio"/>	<input type="radio"/>	<input type="radio"/>	<input type="radio"/>	<input type="radio"/>	<input type="radio"/>	<input type="radio"/>
<input type="radio"/>	<input type="radio"/>	<input type="radio"/>	<input type="radio"/>	<input type="radio"/>	<input type="radio"/>	<input type="radio"/>	<input type="radio"/>	<input type="radio"/>
<input type="radio"/>	<input type="radio"/>	<input type="radio"/>	<input type="radio"/>	<input type="radio"/>	<input type="radio"/>	<input type="radio"/>	<input type="radio"/>	<input type="radio"/>
<input type="radio"/>	<input type="radio"/>	<input type="radio"/>	<input type="radio"/>	<input type="radio"/>	<input type="radio"/>	<input type="radio"/>	<input type="radio"/>	<input type="radio"/>
<input type="radio"/>	<input type="radio"/>	<input type="radio"/>	<input type="radio"/>	<input type="radio"/>	<input type="radio"/>	<input type="radio"/>	<input type="radio"/>	<input type="radio"/>
<input type="radio"/>	<input type="radio"/>	<input type="radio"/>	<input type="radio"/>	<input type="radio"/>	<input type="radio"/>	<input type="radio"/>	<input type="radio"/>	<input type="radio"/>
<input type="radio"/>	<input type="radio"/>	<input type="radio"/>	<input type="radio"/>	<input type="radio"/>	<input type="radio"/>	<input type="radio"/>	<input type="radio"/>	<input type="radio"/>
<input type="radio"/>	<input type="radio"/>	<input type="radio"/>	<input type="radio"/>	<input type="radio"/>	<input type="radio"/>	<input type="radio"/>	<input type="radio"/>	<input type="radio"/>
<input type="radio"/>	<input type="radio"/>	<input type="radio"/>	<input type="radio"/>	<input type="radio"/>	<input type="radio"/>	<input type="radio"/>	<input type="radio"/>	<input type="radio"/>

01	<input type="radio"/>	<input type="radio"/>	<input type="radio"/>	<input type="radio"/>	<input type="radio"/>
02	<input type="radio"/>	<input type="radio"/>	<input type="radio"/>	<input type="radio"/>	<input type="radio"/>
03	<input type="radio"/>	<input type="radio"/>	<input type="radio"/>	<input type="radio"/>	<input type="radio"/>
04	<input type="radio"/>	<input type="radio"/>	<input type="radio"/>	<input type="radio"/>	<input type="radio"/>
05	<input type="radio"/>	<input type="radio"/>	<input type="radio"/>	<input type="radio"/>	<input type="radio"/>
06	<input type="radio"/>	<input type="radio"/>	<input type="radio"/>	<input type="radio"/>	<input type="radio"/>
07	<input type="radio"/>	<input type="radio"/>	<input type="radio"/>	<input type="radio"/>	<input type="radio"/>
08	<input type="radio"/>	<input type="radio"/>	<input type="radio"/>	<input type="radio"/>	<input type="radio"/>
09	<input type="radio"/>	<input type="radio"/>	<input type="radio"/>	<input type="radio"/>	<input type="radio"/>
10	<input type="radio"/>	<input type="radio"/>	<input type="radio"/>	<input type="radio"/>	<input type="radio"/>
11	<input type="radio"/>	<input type="radio"/>	<input type="radio"/>	<input type="radio"/>	<input type="radio"/>
12	<input type="radio"/>	<input type="radio"/>	<input type="radio"/>	<input type="radio"/>	<input type="radio"/>
13	<input type="radio"/>	<input type="radio"/>	<input type="radio"/>	<input type="radio"/>	<input type="radio"/>
14	<input type="radio"/>	<input type="radio"/>	<input type="radio"/>	<input type="radio"/>	<input type="radio"/>
15	<input type="radio"/>	<input type="radio"/>	<input type="radio"/>	<input type="radio"/>	<input type="radio"/>
16	<input type="radio"/>	<input type="radio"/>	<input type="radio"/>	<input type="radio"/>	<input type="radio"/>
17	<input type="radio"/>	<input type="radio"/>	<input type="radio"/>	<input type="radio"/>	<input type="radio"/>
18	<input type="radio"/>	<input type="radio"/>	<input type="radio"/>	<input type="radio"/>	<input type="radio"/>
19	<input type="radio"/>	<input type="radio"/>	<input type="radio"/>	<input type="radio"/>	<input type="radio"/>
20	<input type="radio"/>	<input type="radio"/>	<input type="radio"/>	<input type="radio"/>	<input type="radio"/>
21	<input type="radio"/>	<input type="radio"/>	<input type="radio"/>	<input type="radio"/>	<input type="radio"/>
22	<input type="radio"/>	<input type="radio"/>	<input type="radio"/>	<input type="radio"/>	<input type="radio"/>
23	<input type="radio"/>	<input type="radio"/>	<input type="radio"/>	<input type="radio"/>	<input type="radio"/>
24	<input type="radio"/>	<input type="radio"/>	<input type="radio"/>	<input type="radio"/>	<input type="radio"/>
25	<input type="radio"/>	<input type="radio"/>	<input type="radio"/>	<input type="radio"/>	<input type="radio"/>
26	<input type="radio"/>	<input type="radio"/>	<input type="radio"/>	<input type="radio"/>	<input type="radio"/>
27	<input type="radio"/>	<input type="radio"/>	<input type="radio"/>	<input type="radio"/>	<input type="radio"/>
28	<input type="radio"/>	<input type="radio"/>	<input type="radio"/>	<input type="radio"/>	<input type="radio"/>
29	<input type="radio"/>	<input type="radio"/>	<input type="radio"/>	<input type="radio"/>	<input type="radio"/>
30	<input type="radio"/>	<input type="radio"/>	<input type="radio"/>	<input type="radio"/>	<input type="radio"/>
31	<input type="radio"/>	<input type="radio"/>	<input type="radio"/>	<input type="radio"/>	<input type="radio"/>
32	<input type="radio"/>	<input type="radio"/>	<input type="radio"/>	<input type="radio"/>	<input type="radio"/>
33	<input type="radio"/>	<input type="radio"/>	<input type="radio"/>	<input type="radio"/>	<input type="radio"/>
34	<input type="radio"/>	<input type="radio"/>	<input type="radio"/>	<input type="radio"/>	<input type="radio"/>
35	<input type="radio"/>	<input type="radio"/>	<input type="radio"/>	<input type="radio"/>	<input type="radio"/>
36	<input type="radio"/>	<input type="radio"/>	<input type="radio"/>	<input type="radio"/>	<input type="radio"/>
37	<input type="radio"/>	<input type="radio"/>	<input type="radio"/>	<input type="radio"/>	<input type="radio"/>
38	<input type="radio"/>	<input type="radio"/>	<input type="radio"/>	<input type="radio"/>	<input type="radio"/>
39	<input type="radio"/>	<input type="radio"/>	<input type="radio"/>	<input type="radio"/>	<input type="radio"/>
40	<input type="radio"/>	<input type="radio"/>	<input type="radio"/>	<input type="radio"/>	<input type="radio"/>
41	<input type="radio"/>	<input type="radio"/>	<input type="radio"/>	<input type="radio"/>	<input type="radio"/>
42	<input type="radio"/>	<input type="radio"/>	<input type="radio"/>	<input type="radio"/>	<input type="radio"/>
43	<input type="radio"/>	<input type="radio"/>	<input type="radio"/>	<input type="radio"/>	<input type="radio"/>
44	<input type="radio"/>	<input type="radio"/>	<input type="radio"/>	<input type="radio"/>	<input type="radio"/>
45	<input type="radio"/>	<input type="radio"/>	<input type="radio"/>	<input type="radio"/>	<input type="radio"/>
46	<input type="radio"/>	<input type="radio"/>	<input type="radio"/>	<input type="radio"/>	<input type="radio"/>
47	<input type="radio"/>	<input type="radio"/>	<input type="radio"/>	<input type="radio"/>	<input type="radio"/>
48	<input type="radio"/>	<input type="radio"/>	<input type="radio"/>	<input type="radio"/>	<input type="radio"/>
49	<input type="radio"/>	<input type="radio"/>	<input type="radio"/>	<input type="radio"/>	<input type="radio"/>
50	<input type="radio"/>	<input type="radio"/>	<input type="radio"/>	<input type="radio"/>	<input type="radio"/>

T  
A  
R  
J  
A

13 - Não será permitido levar a prova após sua realização. O candidato está autorizado a transcrever suas respostas, dentro do horário destinado à solução da prova, utilizando o modelo impresso no fim destas instruções, para posterior conferência com o gabarito que será divulgado. É proibida a utilização de qualquer outro tipo de papel para anotação do gabarito.

ANOTE SEU GABARITO										PROVA DE COR _____														
1	2	3	4	5	6	7	8	9	10	11	12	13	14	15	16	17	18	19	20	21	22	23	24	25
26	27	28	29	30	31	32	33	34	35	36	37	38	39	40	41	42	43	44	45	46	47	48	49	50