



US00D860648S

(12) **United States Design Patent**  
**Greenblatt et al.**

(10) **Patent No.:** **US D860,648 S**

(45) **Date of Patent:** **\*\* Sep. 24, 2019**

- (54) **EXPANDED METAL BASKET**
- (71) Applicant: **Marlin Steel Wire Products LLC**,  
Baltimore, MD (US)
- (72) Inventors: **Drew A Greenblatt**, Potomac, MD  
(US); **Wesley Chan**, Columbia, MD  
(US)
- (73) Assignee: **Marlin Steel Wire Products LLC**,  
Baltimore, MD (US)
- (\*\*) Term: **15 Years**
- (21) Appl. No.: **29/649,983**
- (22) Filed: **Jun. 4, 2018**
- (51) **LOC (12) Cl.** ..... **03-01**
- (52) **U.S. Cl.** ..... **D3/306**  
USPC ..... **D3/306**
- (58) **Field of Classification Search**  
USPC ..... D3/304-307, 314-315, 319;  
D6/566-567, 572-574, 540, 672-673,  
D6/678, 678.4  
CPC ..... A47B 73/008; A47J 47/16; A47J 47/20  
See application file for complete search history.

- D780,262 S \* 2/2017 Tsai ..... D19/90
- D781,055 S \* 3/2017 Hsu ..... D3/306
- 9,596,931 B1 \* 3/2017 Nimgulkar ..... A47B 88/49
- D783,352 S \* 4/2017 McGrath ..... D7/409
- D786,009 S \* 5/2017 Mirchandani ..... D7/354
- D799,897 S \* 10/2017 McGrath ..... D7/409
- D812,413 S \* 3/2018 Mirchandani ..... D7/354
- D814,190 S \* 4/2018 Mishan ..... D3/306
- D825,924 S \* 8/2018 Tuang ..... D3/306
- D828,077 S \* 9/2018 Mishan ..... D7/360
- D829,038 S \* 9/2018 Mishan ..... D7/361
- 2008/0124438 A1 \* 5/2008 Forte ..... A47J 37/1295  
426/389
- 2013/0233183 A1 \* 9/2013 Brinckerhoff ..... A47J 37/1295  
99/403

\* cited by examiner

*Primary Examiner* — Kelley A Donnelly

(74) *Attorney, Agent, or Firm* — Miles & Stockbridge PC

(56) **References Cited**

U.S. PATENT DOCUMENTS

- D373,039 S \* 8/1996 Cohen ..... D6/566
- D416,165 S \* 11/1999 Zemel ..... D7/354
- 6,213,005 B1 \* 4/2001 Sherman ..... A47J 27/002  
220/573.1
- D442,002 S \* 5/2001 Rodack ..... D6/566
- D498,632 S \* 11/2004 Anderson ..... D6/566
- D586,558 S \* 2/2009 Ziemann ..... D3/304
- D658,427 S \* 5/2012 Cloutier ..... D7/360
- D679,130 S \* 4/2013 Cloutier ..... D7/354
- D747,876 S \* 1/2016 Goodman ..... D3/306
- D749,900 S \* 2/2016 Hyp ..... D7/402
- D758,732 S \* 6/2016 Goodman ..... D3/306

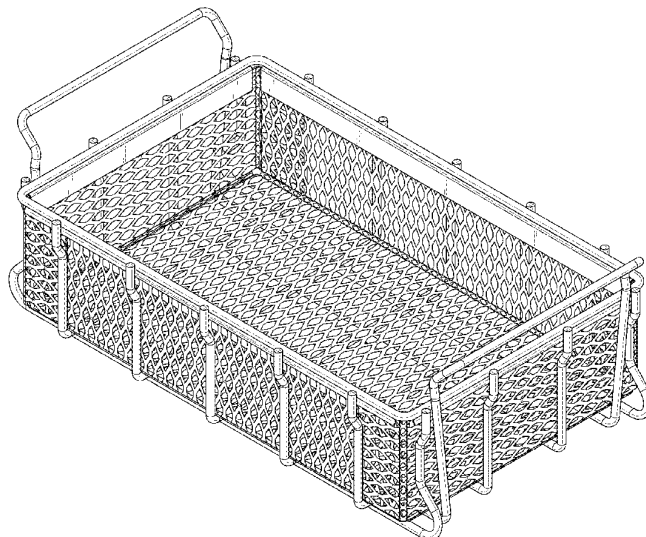
(57) **CLAIM**

The ornamental design for an expanded metal basket, as shown and described.

**DESCRIPTION**

FIG. 1 is a perspective view of an expanded metal basket showing our new design;  
 FIG. 2 is a front view of the expanded metal basket of FIG. 1;  
 FIG. 3 is a rear view of the expanded metal basket of FIG. 1;  
 FIG. 4 is a left side view of the expanded metal basket of FIG. 1;  
 FIG. 5 is a right side view of the expanded metal basket of FIG. 1;  
 FIG. 6 is a top view of the expanded metal basket of FIG. 1; and,  
 FIG. 7 is a bottom view of the expanded metal basket of FIG. 1.

**1 Claim, 7 Drawing Sheets**



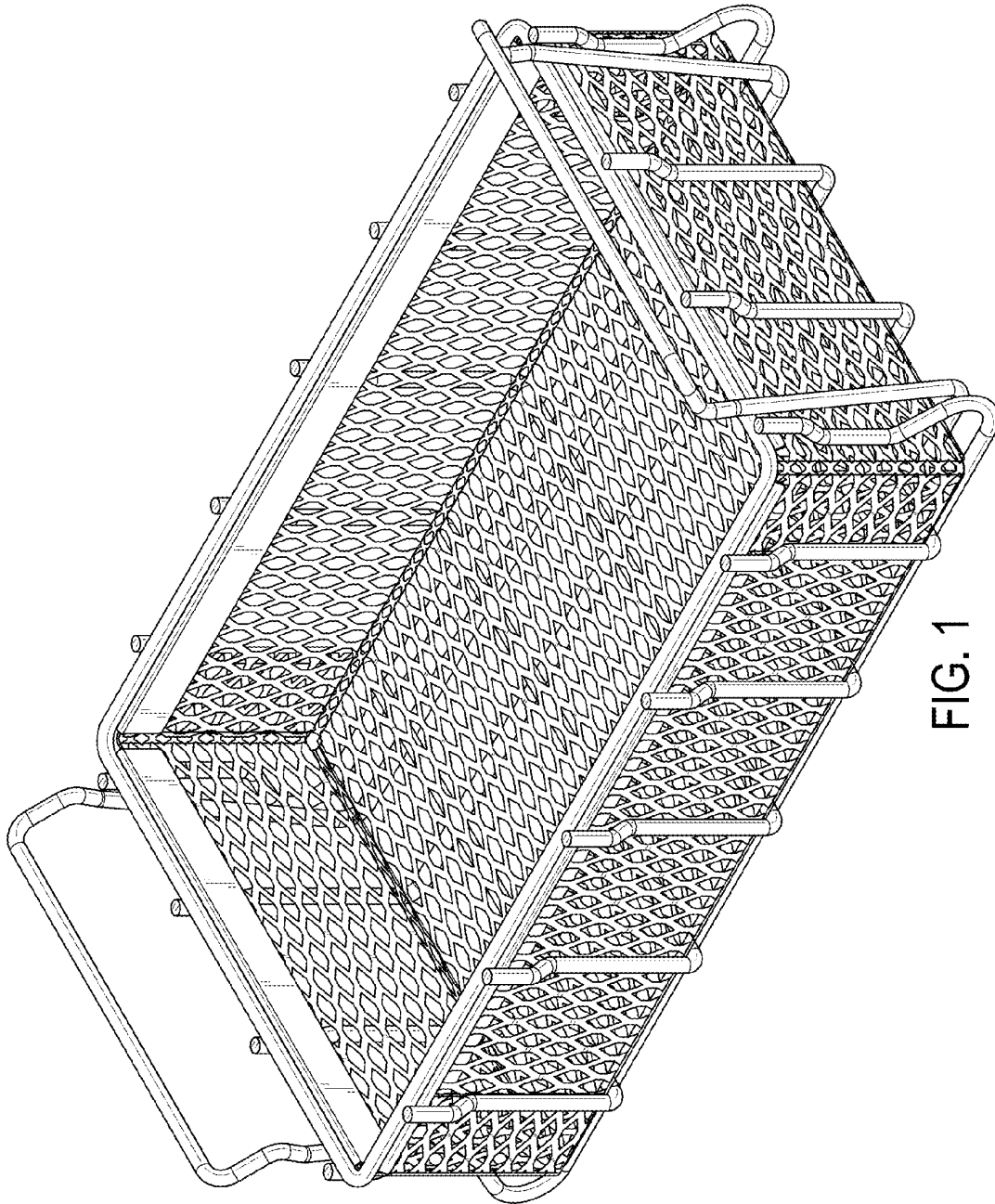


FIG. 1

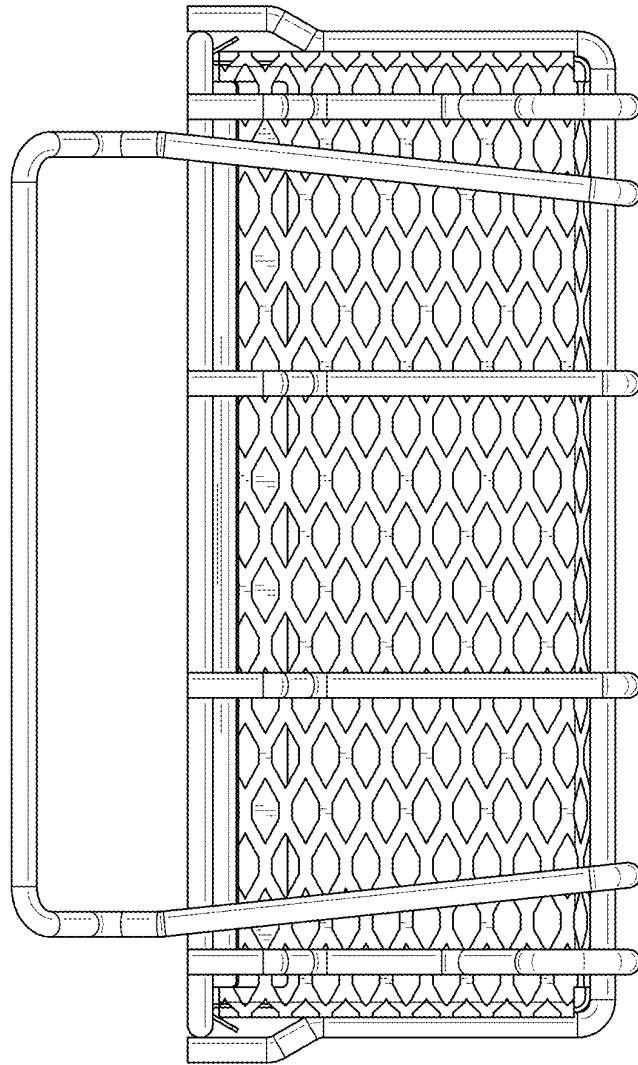


FIG. 2

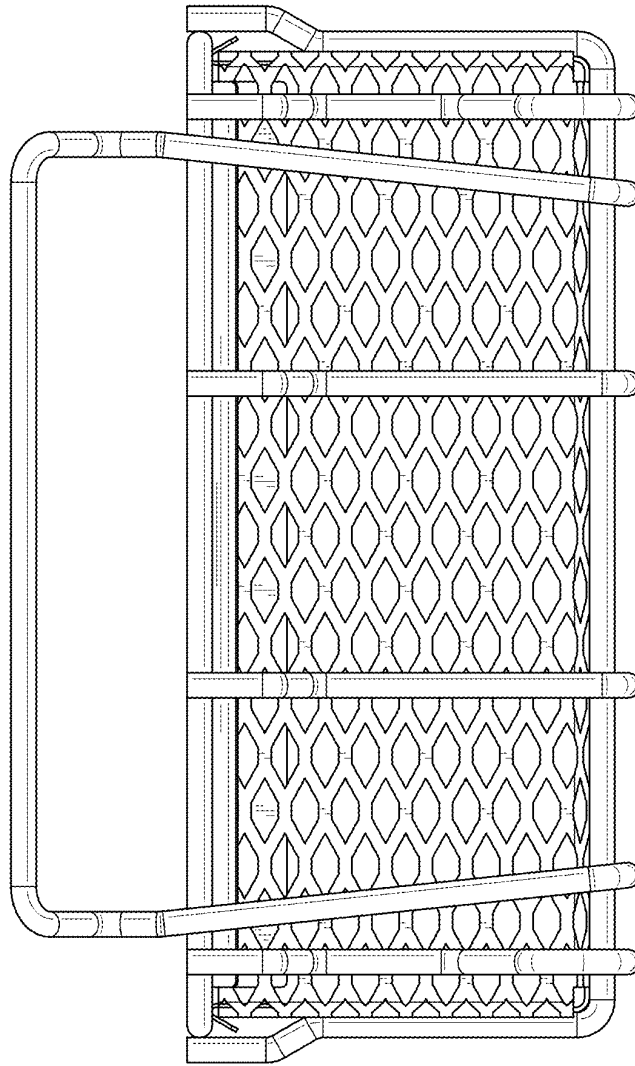


FIG. 3

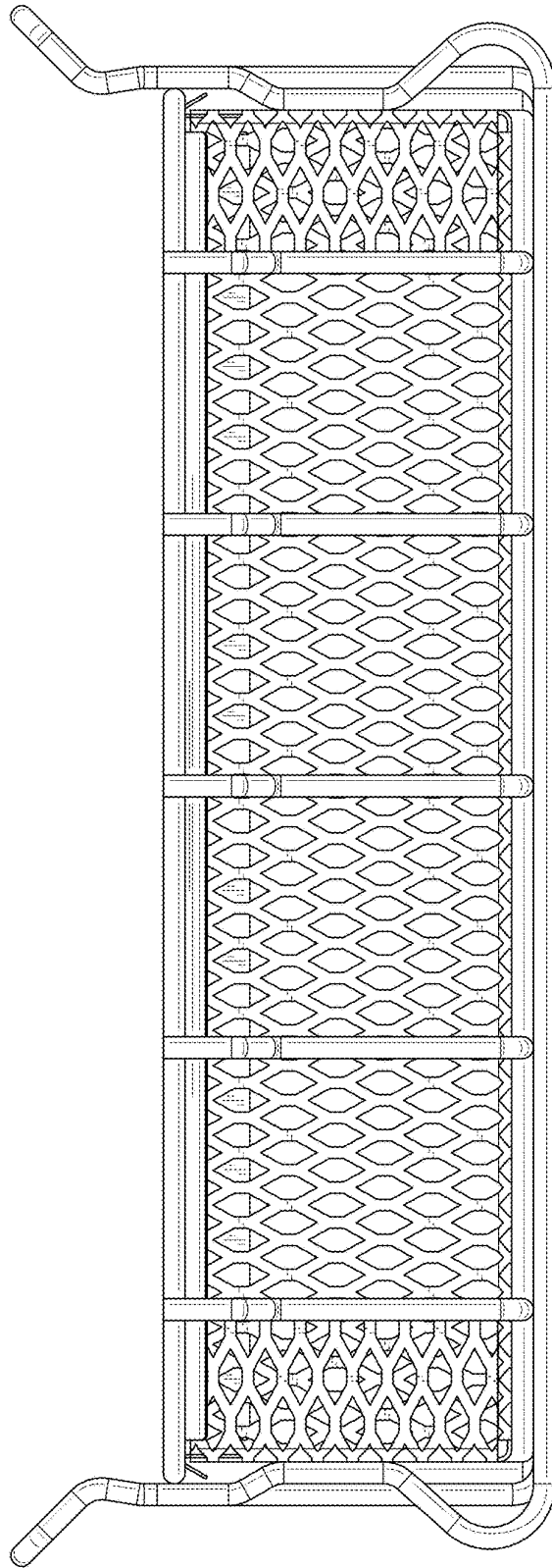


FIG. 4

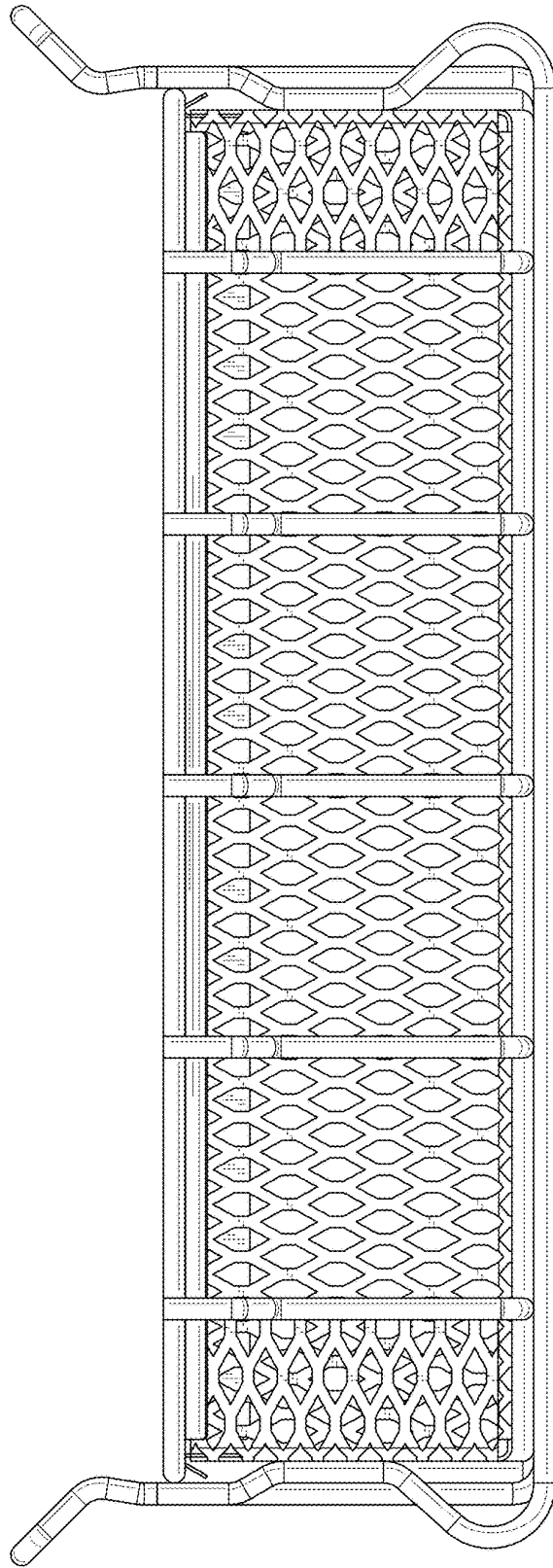


FIG. 5

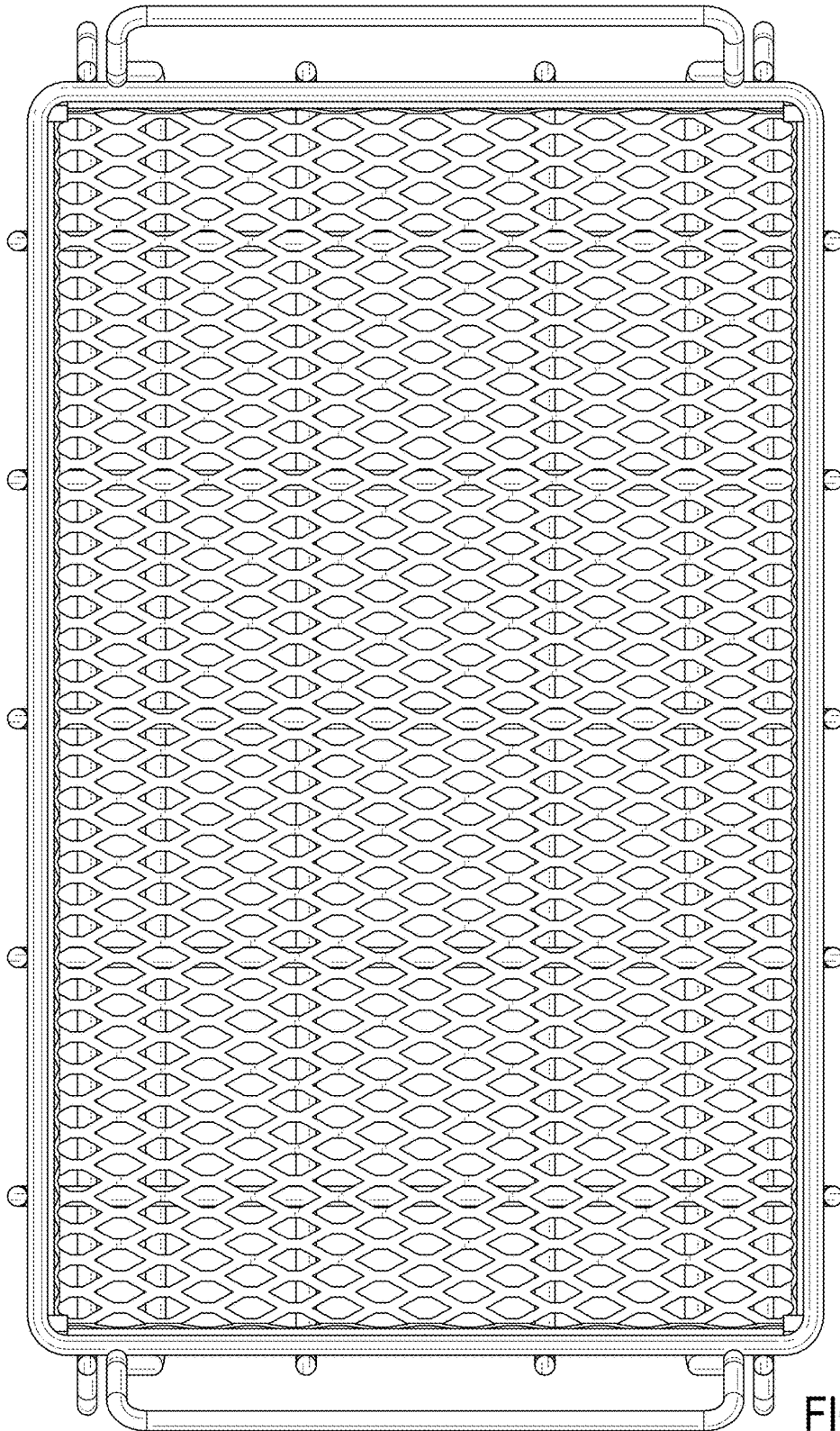


FIG. 6

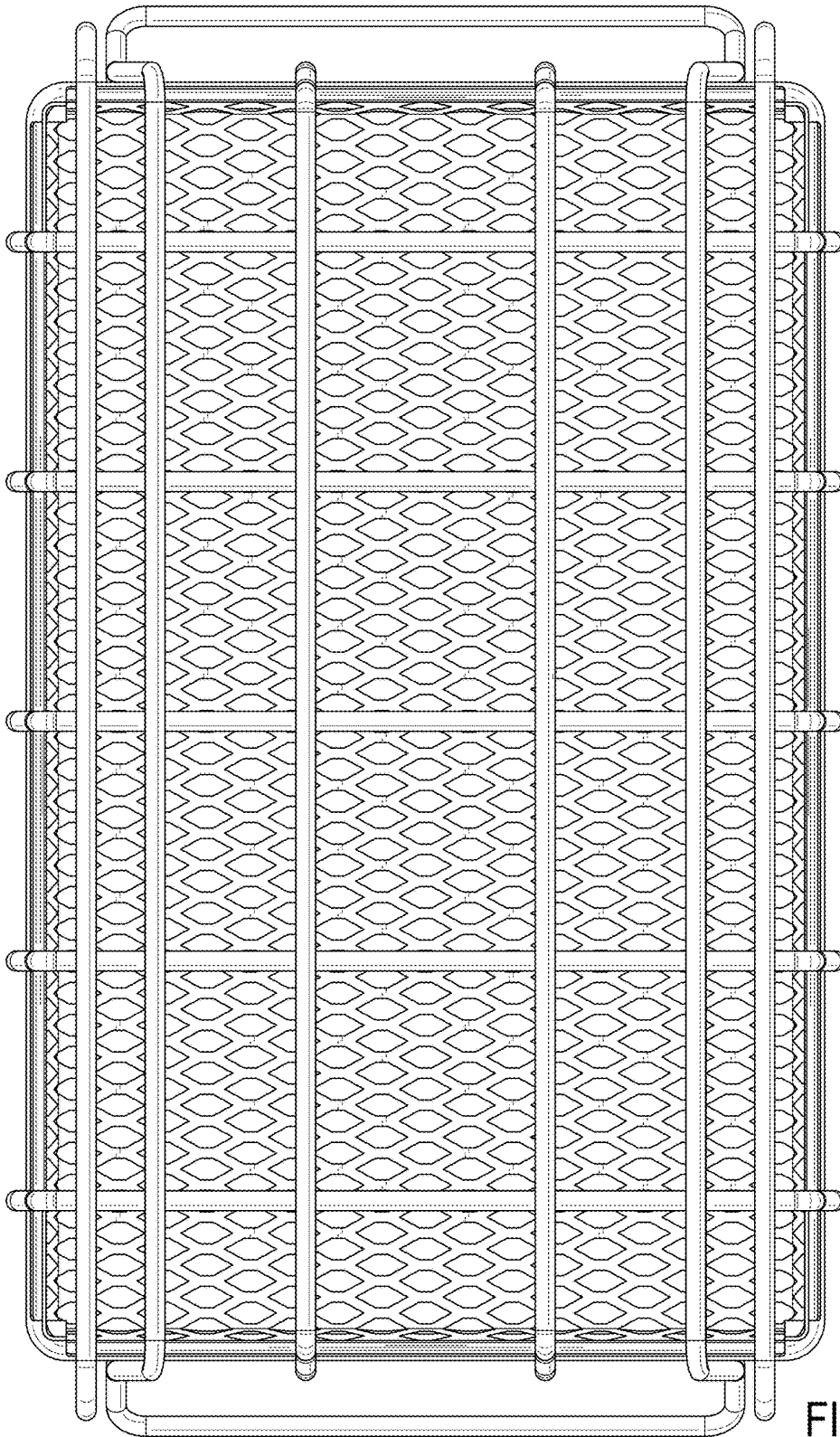


FIG. 7