



11896 - NUV Spectroscopic Sensitivity Monitoring

Cycle: 17, Proposal Category: CAL/COS

(Availability Mode: RESTRICTED)

INVESTIGATORS

<i>Name</i>	<i>Institution</i>	<i>E-Mail</i>
Dr. Rachel A. Osten (PI)	Space Telescope Science Institute	osten@stsci.edu
Dr. Paul Goudfrooij (CoI)	Space Telescope Science Institute	goudfroo@stsci.edu
Dr. Alessandra Aloisi (CoI) (ESA Member)	Space Telescope Science Institute - ESA	alosi@stsci.edu
Dr. Charles D. Keyes (CoI)	Space Telescope Science Institute	keyes@stsci.edu
Dr. David J. Sahnou (CoI)	The Johns Hopkins University	sahnou@pha.jhu.edu

VISITS

<i>Visit</i>	<i>Targets used in Visit</i>	<i>Configurations used in Visit</i>	<i>Orbits Used</i>	<i>Last Orbit Planner Run</i>	<i>OP Current with Visit?</i>
01	(1) WD1057+719	COS/NUV	2	26-Jan-2010 21:05:48.0	yes
02	(1) WD1057+719	COS/NUV	1	26-Jan-2010 21:05:54.0	yes
03	(1) WD1057+719	COS/NUV	1	26-Jan-2010 21:05:58.0	yes
04	(1) WD1057+719	COS/NUV	2	26-Jan-2010 21:06:02.0	yes
05	(1) WD1057+719	COS/NUV	1	26-Jan-2010 21:06:06.0	yes
06	(1) WD1057+719	COS/NUV	1	26-Jan-2010 21:06:10.0	yes
07	(1) WD1057+719	COS/NUV	2	26-Jan-2010 21:06:14.0	yes
08	(1) WD1057+719	COS/NUV	1	26-Jan-2010 21:06:18.0	yes
09	(1) WD1057+719	COS/NUV	1	26-Jan-2010 21:06:21.0	yes
9T	(4) GD153	COS/NUV	1	26-Jan-2010 21:06:25.0	yes

Proposal 11896 (STScI Edit Number: 7, Created: Tuesday, January 26, 2010 9:08:09 PM EST) - Overview

<i>Visit</i>	<i>Targets used in Visit</i>	<i>Configurations used in Visit</i>	<i>Orbits Used</i>	<i>Last Orbit Planner Run</i>	<i>OP Current with Visit?</i>
10	(4) GD153	COS/NUV	1	26-Jan-2010 21:06:29.0	yes
11	(4) GD153	COS/NUV	2	26-Jan-2010 21:06:36.0	yes
13	(1) WD1057+719	COS/NUV	1	26-Jan-2010 21:06:41.0	yes
14	(1) WD1057+719	COS/NUV	2	26-Jan-2010 21:06:45.0	yes
15	(1) WD1057+719	COS/NUV	1	26-Jan-2010 21:06:49.0	yes
A1	(2) G191B2B	COS/NUV	2	26-Jan-2010 21:06:54.0	yes
AB	(2) G191B2B	COS/NUV	1	26-Jan-2010 21:06:59.0	yes
AC	(2) G191B2B	COS/NUV	1	26-Jan-2010 21:07:03.0	yes
NC	(2) G191B2B	COS/NUV	1	26-Jan-2010 21:07:07.0	yes
A2	(2) G191B2B	COS/NUV	2	26-Jan-2010 21:07:13.0	yes
AD	(2) G191B2B	COS/NUV	1	26-Jan-2010 21:07:19.0	yes
AE	(2) G191B2B	COS/NUV	1	26-Jan-2010 21:07:23.0	yes
A3	(2) G191B2B	COS/NUV	2	26-Jan-2010 21:07:28.0	yes
2T	(3) GD71	COS/NUV	1	26-Jan-2010 21:07:32.0	yes
AF	(2) G191B2B	COS/NUV	1	26-Jan-2010 21:07:36.0	yes
AG	(2) G191B2B	COS/NUV	1	26-Jan-2010 21:07:40.0	yes
AH	(2) G191B2B	COS/NUV	1	26-Jan-2010 21:07:44.0	yes
A4	(2) G191B2B	COS/NUV	2	26-Jan-2010 21:07:50.0	yes
AJ	(2) G191B2B	COS/NUV	1	26-Jan-2010 21:07:56.0	yes
A5	(2) G191B2B	COS/NUV	2	26-Jan-2010 21:08:01.0	yes
AK	(2) G191B2B	COS/NUV	1	26-Jan-2010 21:08:05.0	yes

41 Total Orbits Used

ABSTRACT

Purpose is to monitor sensitivity of each NUV grating mode to detect any change due to contamination or other causes.

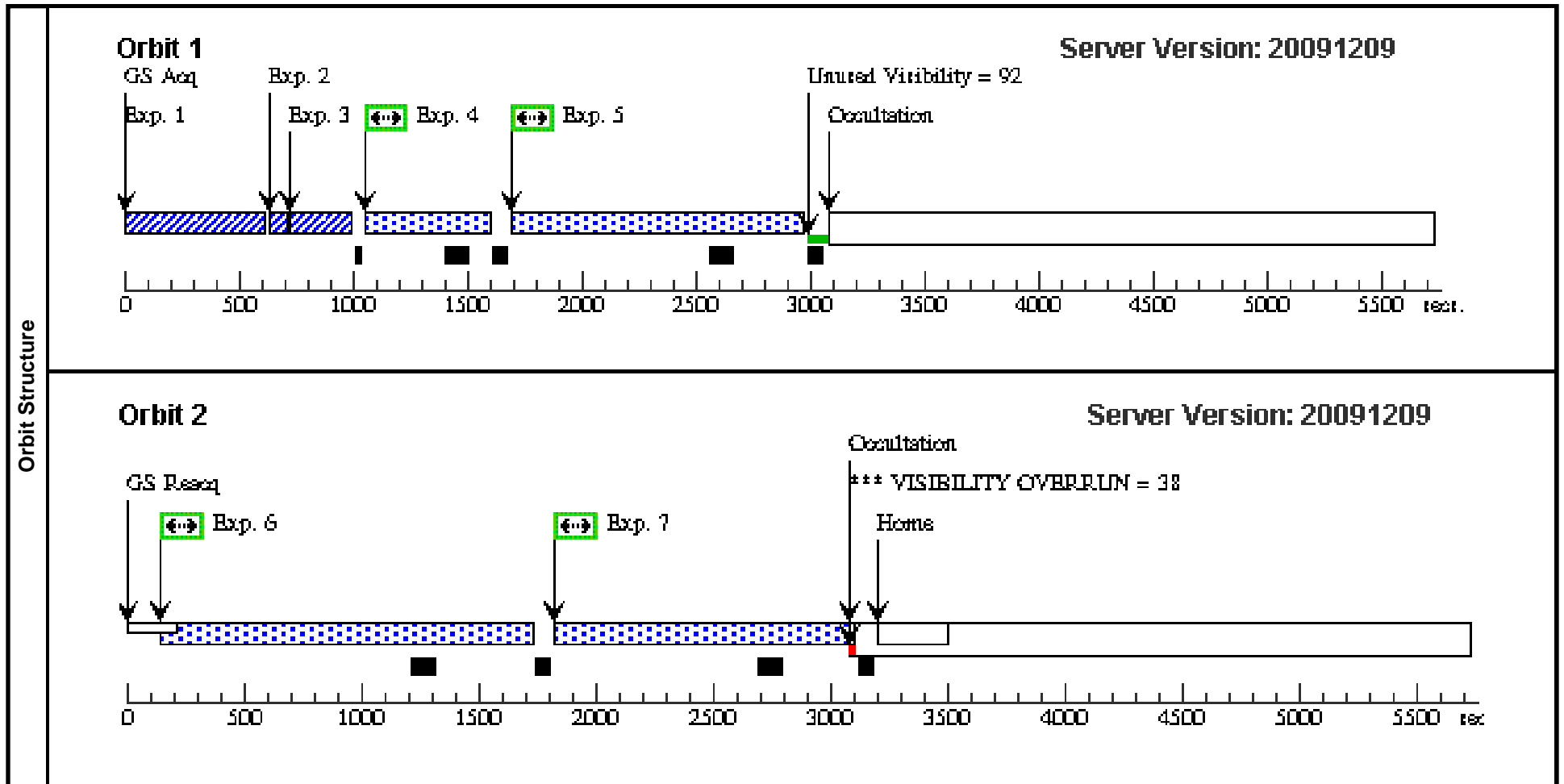
OBSERVING DESCRIPTION

Obtain exposures in G230L every month, and in each of the three medium-resolution modes every 3 months. Additional monthly monitoring of uncoated G225M and G285M gratings. Use high-declination FASTEX standard stars for L modes and Primary Standard G191B2B for M modes. Use standard target acquisitions as determined for similar SMOV programs. Main goal is to track time dependence of sensitivity as a function of wavelength and/or grating. For low-resolution grating, use all central wavelength settings to cover full wavelength range. For medium-resolution gratings, use 1 central wavelength for G185M and 3 central wavelengths (bluest, middle, reddest) for G225M and G285M. The reason for the latter is that G225M and G285M are not coated and it seems prudent to track wavelength dependence of sensitivity degradation for those gratings separately.

Proposal 11896 - Visit 01 - NUV Spectroscopic Sensitivity Monitoring

Wed Jan 27 02:08:10 GMT 2010

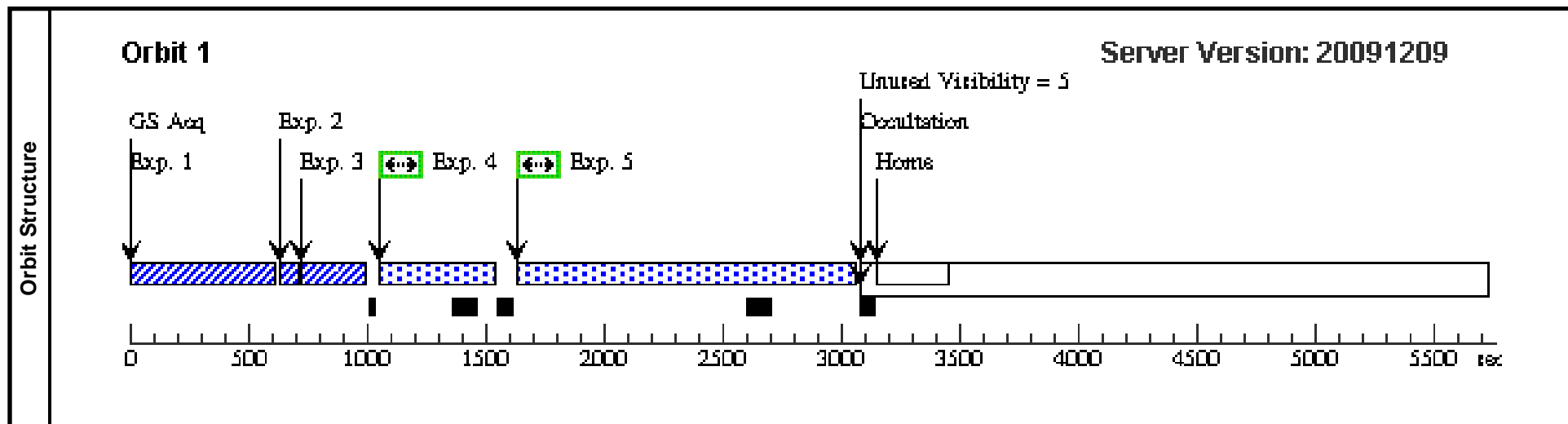
Visit	Proposal 11896, Visit 01, completed Diagnostic Status: Warning Scientific Instruments: COS/NUV Special Requirements: SCHED 100%; BETWEEN 10-AUG-2009:00:00:00 AND 16-AUG-2009:23:59:59																																																																																																				
	Diagnostics (Visit 01) Warning (Orbit Planner): VISIBILITY OVERRUN																																																																																																				
Fixed Targets	<table border="1"> <thead> <tr> <th>#</th> <th>Name</th> <th>Target Coordinates</th> <th>Targ. Coord. Corrections</th> <th>Fluxes</th> <th>Miscellaneous</th> </tr> </thead> <tbody> <tr> <td>(1)</td> <td>WD1057+719</td> <td>RA: 11 00 34.2200 (165.1425833d) Dec: +71 38 2.99 (71.63416d) Equinox: J2000</td> <td>Proper Motion RA: -0.00973s/yr Proper Motion Dec: -0.02"/yr Epoch of Position: 2000</td> <td>V=14.68</td> <td>Reference Frame: ICRS</td> </tr> </tbody> </table>	#	Name	Target Coordinates	Targ. Coord. Corrections	Fluxes	Miscellaneous	(1)	WD1057+719	RA: 11 00 34.2200 (165.1425833d) Dec: +71 38 2.99 (71.63416d) Equinox: J2000	Proper Motion RA: -0.00973s/yr Proper Motion Dec: -0.02"/yr Epoch of Position: 2000	V=14.68	Reference Frame: ICRS	<i>Comments: HST FASTEX standard PM, coords from USNOB GSC2 coords are 11:00:34.25, 71:38:02.97, 1997.19 epoch</i>																																																																																							
	#	Name	Target Coordinates	Targ. Coord. Corrections	Fluxes	Miscellaneous																																																																																															
(1)	WD1057+719	RA: 11 00 34.2200 (165.1425833d) Dec: +71 38 2.99 (71.63416d) Equinox: J2000	Proper Motion RA: -0.00973s/yr Proper Motion Dec: -0.02"/yr Epoch of Position: 2000	V=14.68	Reference Frame: ICRS																																																																																																
Exposures	<table border="1"> <thead> <tr> <th>#</th> <th>Label</th> <th>Target</th> <th>Config,Mode,Aperture</th> <th>Spectral Els.</th> <th>Opt. Params.</th> <th>Special Reqs.</th> <th>Groups</th> <th>Exp. Time/[Actual Dur.]</th> <th>Orbit</th> </tr> </thead> <tbody> <tr> <td>1</td> <td>G230L - AC Q/SEARCH</td> <td>(1) WD1057+719</td> <td>COS/NUV, ACQ/SEARCH, PSA</td> <td>G230L 2635 A</td> <td>SCAN-SIZE=3; STEP-SIZE=1.767</td> <td></td> <td></td> <td>0.7 Secs [==>]</td> <td>[1]</td> </tr> <tr> <td>2</td> <td>G230L - AC Q/PEAKXD</td> <td>(1) WD1057+719</td> <td>COS/NUV, ACQ/PEAKXD, PSA</td> <td>G230L 2635 A</td> <td></td> <td></td> <td></td> <td>1 Secs [==>]</td> <td>[1]</td> </tr> <tr> <td colspan="10"><i>Comments: exposure time taken from ETC 83991, using standard star spectrum of HZ 43 and normalizing to target's V magnitude of 14.68.</i></td> </tr> <tr> <td>3</td> <td>G230L - AC Q/PEAKD</td> <td>(1) WD1057+719</td> <td>COS/NUV, ACQ/PEAKD, PSA</td> <td>G230L 2635 A</td> <td>CENTER=FLUX-W T-FLR; NUM-POS=9.0; STEP-SIZE=1.</td> <td></td> <td></td> <td>0.7 Secs [==>]</td> <td>[1]</td> </tr> <tr> <td colspan="10"><i>Comments: exposure time taken from ETC # 83992, using standard star spectrum of HZ 43 and normalizing to target's V mag. of 14.68</i></td> </tr> <tr> <td>4</td> <td>G230L - 263 5 A</td> <td>(1) WD1057+719</td> <td>COS/NUV, TIME-TAG, PSA</td> <td>G230L 2635 A</td> <td>BUFFER-TIME=36 0; FP-POS=3</td> <td></td> <td></td> <td>540 Secs [==>]</td> <td>[1]</td> </tr> <tr> <td>5</td> <td>G230L - 336 0 A</td> <td>(1) WD1057+719</td> <td>COS/NUV, TIME-TAG, PSA</td> <td>G230L 3360 A</td> <td>BUFFER-TIME=79 5; FP-POS=3</td> <td></td> <td></td> <td>1193 Secs [==>]</td> <td>[1]</td> </tr> <tr> <td>6</td> <td>G230L - 295 0 A</td> <td>(1) WD1057+719</td> <td>COS/NUV, TIME-TAG, PSA</td> <td>G230L 2950 A</td> <td>BUFFER-TIME=10 00; FP-POS=3</td> <td></td> <td></td> <td>1500 Secs [==>]</td> <td>[2]</td> </tr> <tr> <td>7</td> <td>G230L - 336 0 A</td> <td>(1) WD1057+719</td> <td>COS/NUV, TIME-TAG, PSA</td> <td>G230L 3360 A</td> <td>BUFFER-TIME=79 5; FP-POS=3</td> <td></td> <td></td> <td>1193 Secs [==>]</td> <td>[2]</td> </tr> </tbody> </table>	#	Label	Target	Config,Mode,Aperture	Spectral Els.	Opt. Params.	Special Reqs.	Groups	Exp. Time/[Actual Dur.]	Orbit	1	G230L - AC Q/SEARCH	(1) WD1057+719	COS/NUV, ACQ/SEARCH, PSA	G230L 2635 A	SCAN-SIZE=3; STEP-SIZE=1.767			0.7 Secs [==>]	[1]	2	G230L - AC Q/PEAKXD	(1) WD1057+719	COS/NUV, ACQ/PEAKXD, PSA	G230L 2635 A				1 Secs [==>]	[1]	<i>Comments: exposure time taken from ETC 83991, using standard star spectrum of HZ 43 and normalizing to target's V magnitude of 14.68.</i>										3	G230L - AC Q/PEAKD	(1) WD1057+719	COS/NUV, ACQ/PEAKD, PSA	G230L 2635 A	CENTER=FLUX-W T-FLR; NUM-POS=9.0; STEP-SIZE=1.			0.7 Secs [==>]	[1]	<i>Comments: exposure time taken from ETC # 83992, using standard star spectrum of HZ 43 and normalizing to target's V mag. of 14.68</i>										4	G230L - 263 5 A	(1) WD1057+719	COS/NUV, TIME-TAG, PSA	G230L 2635 A	BUFFER-TIME=36 0; FP-POS=3			540 Secs [==>]	[1]	5	G230L - 336 0 A	(1) WD1057+719	COS/NUV, TIME-TAG, PSA	G230L 3360 A	BUFFER-TIME=79 5; FP-POS=3			1193 Secs [==>]	[1]	6	G230L - 295 0 A	(1) WD1057+719	COS/NUV, TIME-TAG, PSA	G230L 2950 A	BUFFER-TIME=10 00; FP-POS=3			1500 Secs [==>]	[2]	7	G230L - 336 0 A	(1) WD1057+719	COS/NUV, TIME-TAG, PSA	G230L 3360 A	BUFFER-TIME=79 5; FP-POS=3			1193 Secs [==>]	[2]
	#	Label	Target	Config,Mode,Aperture	Spectral Els.	Opt. Params.	Special Reqs.	Groups	Exp. Time/[Actual Dur.]	Orbit																																																																																											
	1	G230L - AC Q/SEARCH	(1) WD1057+719	COS/NUV, ACQ/SEARCH, PSA	G230L 2635 A	SCAN-SIZE=3; STEP-SIZE=1.767			0.7 Secs [==>]	[1]																																																																																											
	2	G230L - AC Q/PEAKXD	(1) WD1057+719	COS/NUV, ACQ/PEAKXD, PSA	G230L 2635 A				1 Secs [==>]	[1]																																																																																											
	<i>Comments: exposure time taken from ETC 83991, using standard star spectrum of HZ 43 and normalizing to target's V magnitude of 14.68.</i>																																																																																																				
	3	G230L - AC Q/PEAKD	(1) WD1057+719	COS/NUV, ACQ/PEAKD, PSA	G230L 2635 A	CENTER=FLUX-W T-FLR; NUM-POS=9.0; STEP-SIZE=1.			0.7 Secs [==>]	[1]																																																																																											
	<i>Comments: exposure time taken from ETC # 83992, using standard star spectrum of HZ 43 and normalizing to target's V mag. of 14.68</i>																																																																																																				
4	G230L - 263 5 A	(1) WD1057+719	COS/NUV, TIME-TAG, PSA	G230L 2635 A	BUFFER-TIME=36 0; FP-POS=3			540 Secs [==>]	[1]																																																																																												
5	G230L - 336 0 A	(1) WD1057+719	COS/NUV, TIME-TAG, PSA	G230L 3360 A	BUFFER-TIME=79 5; FP-POS=3			1193 Secs [==>]	[1]																																																																																												
6	G230L - 295 0 A	(1) WD1057+719	COS/NUV, TIME-TAG, PSA	G230L 2950 A	BUFFER-TIME=10 00; FP-POS=3			1500 Secs [==>]	[2]																																																																																												
7	G230L - 336 0 A	(1) WD1057+719	COS/NUV, TIME-TAG, PSA	G230L 3360 A	BUFFER-TIME=79 5; FP-POS=3			1193 Secs [==>]	[2]																																																																																												



Proposal 11896 - Visit 02 - NUV Spectroscopic Sensitivity Monitoring

Wed Jan 27 02:08:11 GMT 2010

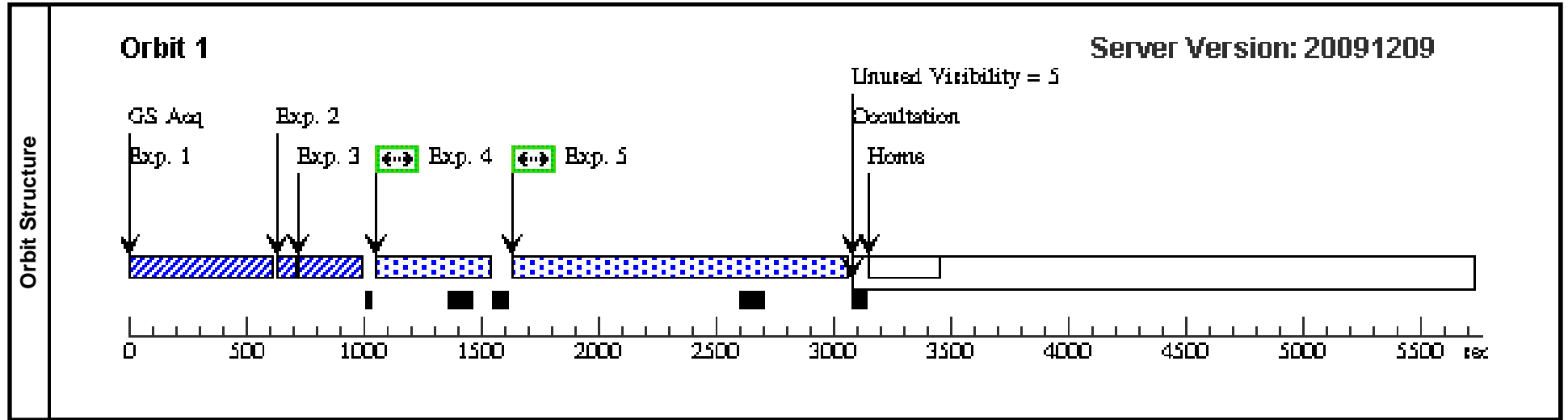
Visit		Proposal 11896, Visit 02, completed Diagnostic Status: No Diagnostics Scientific Instruments: COS/NUV Special Requirements: SCHED 100%; BETWEEN 31-AUG-2009:00:00:00 AND 06-SEP-2009:23:59:59																																																																																
Fixed Targets		<table border="1"> <thead> <tr> <th>#</th> <th>Name</th> <th>Target Coordinates</th> <th>Targ. Coord. Corrections</th> <th>Fluxes</th> <th>Miscellaneous</th> </tr> </thead> <tbody> <tr> <td>(1)</td> <td>WD1057+719</td> <td>RA: 11 00 34.2200 (165.1425833d) Dec: +71 38 2.99 (71.63416d) Equinox: J2000</td> <td>Proper Motion RA: -0.00973s/yr Proper Motion Dec: -0.02"/yr Epoch of Position: 2000</td> <td>V=14.68</td> <td>Reference Frame: ICRS</td> </tr> </tbody> </table> <p><i>Comments: HST FASTEX standard PM, coords from USNOB</i></p> <p><i>GSC2 coords are 11:00:34.25, 71:38:02.97, 1997.19 epoch</i></p>	#	Name	Target Coordinates	Targ. Coord. Corrections	Fluxes	Miscellaneous	(1)	WD1057+719	RA: 11 00 34.2200 (165.1425833d) Dec: +71 38 2.99 (71.63416d) Equinox: J2000	Proper Motion RA: -0.00973s/yr Proper Motion Dec: -0.02"/yr Epoch of Position: 2000	V=14.68	Reference Frame: ICRS																																																																				
#	Name	Target Coordinates	Targ. Coord. Corrections	Fluxes	Miscellaneous																																																																													
(1)	WD1057+719	RA: 11 00 34.2200 (165.1425833d) Dec: +71 38 2.99 (71.63416d) Equinox: J2000	Proper Motion RA: -0.00973s/yr Proper Motion Dec: -0.02"/yr Epoch of Position: 2000	V=14.68	Reference Frame: ICRS																																																																													
Exposures		<table border="1"> <thead> <tr> <th>#</th> <th>Label</th> <th>Target</th> <th>Config,Mode,Aperture</th> <th>Spectral Els.</th> <th>Opt. Params.</th> <th>Special Reqs.</th> <th>Groups</th> <th>Exp. Time/[Actual Dur.]</th> <th>Orbit</th> </tr> </thead> <tbody> <tr> <td>1</td> <td>G230L - AC Q/SEARCH</td> <td>(1) WD1057+719</td> <td>COS/NUV, ACQ/SEARCH, PSA</td> <td>G230L 2635 A</td> <td>SCAN-SIZE=3; STEP-SIZE=1.767</td> <td></td> <td></td> <td>0.7 Secs [==>]</td> <td>[1]</td> </tr> <tr> <td>2</td> <td>G230L - AC Q/PEAKXD</td> <td>(1) WD1057+719</td> <td>COS/NUV, ACQ/PEAKXD, PSA</td> <td>G230L 2635 A</td> <td></td> <td></td> <td></td> <td>1 Secs [==>]</td> <td>[1]</td> </tr> <tr> <td colspan="10"><i>Comments: exposure time taken from ETC 83991, using standard star spectrum of HZ 43 and normalizing to target's V magnitude of 14.68.</i></td> </tr> <tr> <td>3</td> <td>G230L - AC Q/PEAKD</td> <td>(1) WD1057+719</td> <td>COS/NUV, ACQ/PEAKD, PSA</td> <td>G230L 2635 A</td> <td>CENTER=FLUX-W T-FLR; NUM-POS=9.0; STEP-SIZE=1.</td> <td></td> <td></td> <td>0.7 Secs [==>]</td> <td>[1]</td> </tr> <tr> <td colspan="10"><i>Comments: exposure time taken from ETC # 83992, using standard star spectrum of HZ 43 and normalizing to target's V mag. of 14.68</i></td> </tr> <tr> <td>4</td> <td>G230L - 263 5 A</td> <td>(1) WD1057+719</td> <td>COS/NUV, TIME-TAG, PSA</td> <td>G230L 2635 A</td> <td>BUFFER-TIME=32 0; FP-POS=3</td> <td></td> <td></td> <td>480 Secs [==>]</td> <td>[1]</td> </tr> <tr> <td>5</td> <td>G230L - 295 0 A</td> <td>(1) WD1057+719</td> <td>COS/NUV, TIME-TAG, PSA</td> <td>G230L 2950 A</td> <td>BUFFER-TIME=89 3; FP-POS=3</td> <td></td> <td></td> <td>1340 Secs [==>]</td> <td>[1]</td> </tr> </tbody> </table>	#	Label	Target	Config,Mode,Aperture	Spectral Els.	Opt. Params.	Special Reqs.	Groups	Exp. Time/[Actual Dur.]	Orbit	1	G230L - AC Q/SEARCH	(1) WD1057+719	COS/NUV, ACQ/SEARCH, PSA	G230L 2635 A	SCAN-SIZE=3; STEP-SIZE=1.767			0.7 Secs [==>]	[1]	2	G230L - AC Q/PEAKXD	(1) WD1057+719	COS/NUV, ACQ/PEAKXD, PSA	G230L 2635 A				1 Secs [==>]	[1]	<i>Comments: exposure time taken from ETC 83991, using standard star spectrum of HZ 43 and normalizing to target's V magnitude of 14.68.</i>										3	G230L - AC Q/PEAKD	(1) WD1057+719	COS/NUV, ACQ/PEAKD, PSA	G230L 2635 A	CENTER=FLUX-W T-FLR; NUM-POS=9.0; STEP-SIZE=1.			0.7 Secs [==>]	[1]	<i>Comments: exposure time taken from ETC # 83992, using standard star spectrum of HZ 43 and normalizing to target's V mag. of 14.68</i>										4	G230L - 263 5 A	(1) WD1057+719	COS/NUV, TIME-TAG, PSA	G230L 2635 A	BUFFER-TIME=32 0; FP-POS=3			480 Secs [==>]	[1]	5	G230L - 295 0 A	(1) WD1057+719	COS/NUV, TIME-TAG, PSA	G230L 2950 A	BUFFER-TIME=89 3; FP-POS=3			1340 Secs [==>]	[1]
#	Label	Target	Config,Mode,Aperture	Spectral Els.	Opt. Params.	Special Reqs.	Groups	Exp. Time/[Actual Dur.]	Orbit																																																																									
1	G230L - AC Q/SEARCH	(1) WD1057+719	COS/NUV, ACQ/SEARCH, PSA	G230L 2635 A	SCAN-SIZE=3; STEP-SIZE=1.767			0.7 Secs [==>]	[1]																																																																									
2	G230L - AC Q/PEAKXD	(1) WD1057+719	COS/NUV, ACQ/PEAKXD, PSA	G230L 2635 A				1 Secs [==>]	[1]																																																																									
<i>Comments: exposure time taken from ETC 83991, using standard star spectrum of HZ 43 and normalizing to target's V magnitude of 14.68.</i>																																																																																		
3	G230L - AC Q/PEAKD	(1) WD1057+719	COS/NUV, ACQ/PEAKD, PSA	G230L 2635 A	CENTER=FLUX-W T-FLR; NUM-POS=9.0; STEP-SIZE=1.			0.7 Secs [==>]	[1]																																																																									
<i>Comments: exposure time taken from ETC # 83992, using standard star spectrum of HZ 43 and normalizing to target's V mag. of 14.68</i>																																																																																		
4	G230L - 263 5 A	(1) WD1057+719	COS/NUV, TIME-TAG, PSA	G230L 2635 A	BUFFER-TIME=32 0; FP-POS=3			480 Secs [==>]	[1]																																																																									
5	G230L - 295 0 A	(1) WD1057+719	COS/NUV, TIME-TAG, PSA	G230L 2950 A	BUFFER-TIME=89 3; FP-POS=3			1340 Secs [==>]	[1]																																																																									



Proposal 11896 - Visit 03 - NUV Spectroscopic Sensitivity Monitoring

Wed Jan 27 02:08:12 GMT 2010

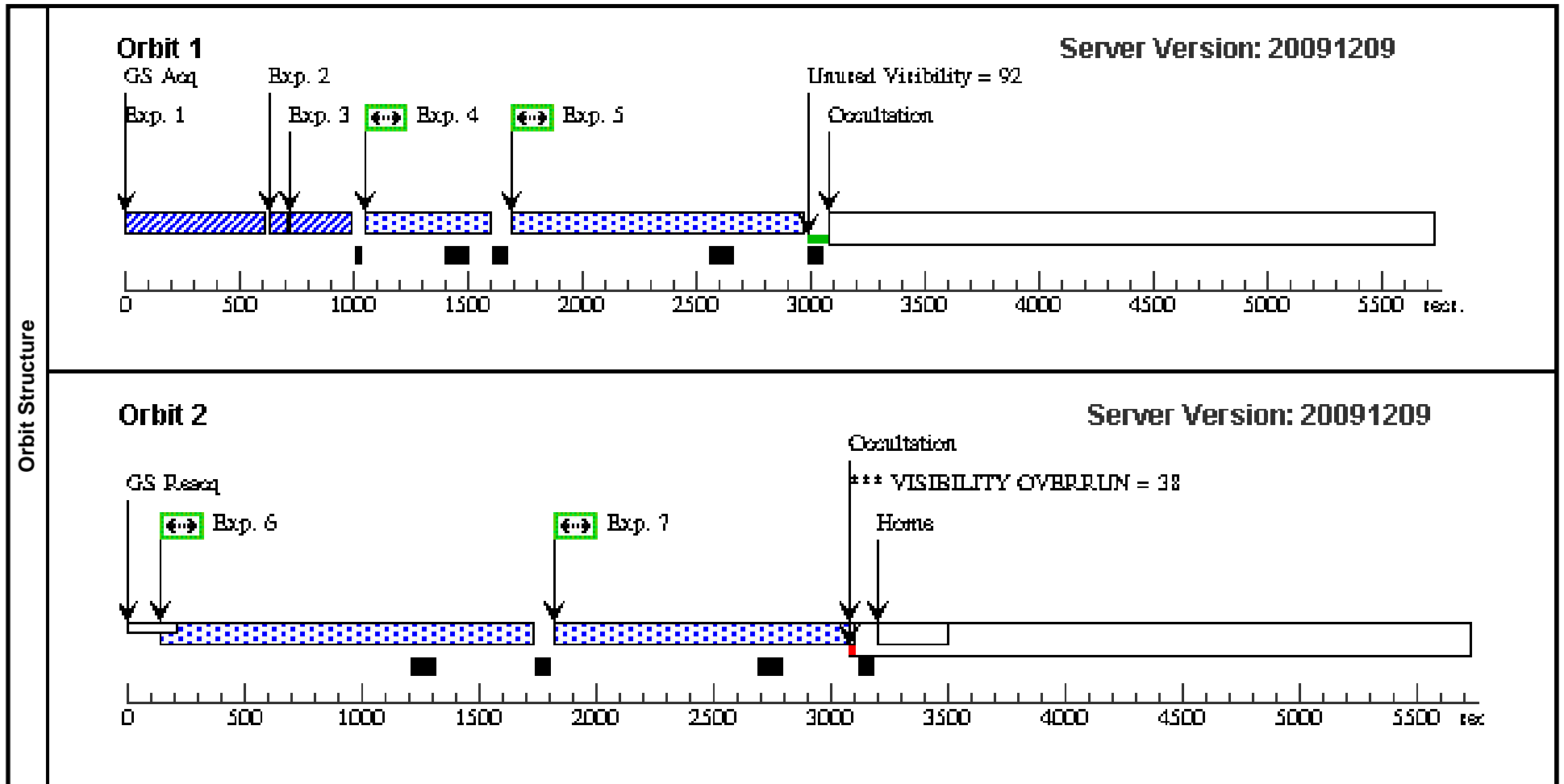
Visit	Proposal 11896, Visit 03, completed Diagnostic Status: No Diagnostics Scientific Instruments: COS/NUV Special Requirements: SCHED 100%; BETWEEN 28-SEP-2009:00:00:00 AND 04-OCT-2009:23:59:59																																																																																
	Fixed Targets	<table border="1"> <thead> <tr> <th>#</th> <th>Name</th> <th>Target Coordinates</th> <th>Targ. Coord. Corrections</th> <th>Fluxes</th> <th>Miscellaneous</th> </tr> </thead> <tbody> <tr> <td>(1)</td> <td>WD1057+719</td> <td>RA: 11 00 34.2200 (165.1425833d) Dec: +71 38 2.99 (71.63416d) Equinox: J2000</td> <td>Proper Motion RA: -0.00973s/yr Proper Motion Dec: -0.02"/yr Epoch of Position: 2000</td> <td>V=14.68</td> <td>Reference Frame: ICRS</td> </tr> <tr> <td colspan="6"> <i>Comments: HST FASTEX standard PM, coords from USNOB</i> GSC2 coords are 11:00:34.25, 71:38:02.97, 1997.19 epoch </td> </tr> </tbody> </table>	#	Name	Target Coordinates	Targ. Coord. Corrections	Fluxes	Miscellaneous	(1)	WD1057+719	RA: 11 00 34.2200 (165.1425833d) Dec: +71 38 2.99 (71.63416d) Equinox: J2000	Proper Motion RA: -0.00973s/yr Proper Motion Dec: -0.02"/yr Epoch of Position: 2000	V=14.68	Reference Frame: ICRS	<i>Comments: HST FASTEX standard PM, coords from USNOB</i> GSC2 coords are 11:00:34.25, 71:38:02.97, 1997.19 epoch																																																																		
#	Name	Target Coordinates	Targ. Coord. Corrections	Fluxes	Miscellaneous																																																																												
(1)	WD1057+719	RA: 11 00 34.2200 (165.1425833d) Dec: +71 38 2.99 (71.63416d) Equinox: J2000	Proper Motion RA: -0.00973s/yr Proper Motion Dec: -0.02"/yr Epoch of Position: 2000	V=14.68	Reference Frame: ICRS																																																																												
<i>Comments: HST FASTEX standard PM, coords from USNOB</i> GSC2 coords are 11:00:34.25, 71:38:02.97, 1997.19 epoch																																																																																	
Exposures	<table border="1"> <thead> <tr> <th>#</th> <th>Label</th> <th>Target</th> <th>Config,Mode,Aperture</th> <th>Spectral Els.</th> <th>Opt. Params.</th> <th>Special Reqs.</th> <th>Groups</th> <th>Exp. Time/[Actual Dur.]</th> <th>Orbit</th> </tr> </thead> <tbody> <tr> <td>1</td> <td>G230L - AC Q/SEARCH</td> <td>(1) WD1057+719</td> <td>COS/NUV, ACQ/SEARCH, PSA</td> <td>G230L 2635 A</td> <td>SCAN-SIZE=3; STEP-SIZE=1.767</td> <td></td> <td></td> <td>0.7 Secs [==>]</td> <td>[1]</td> </tr> <tr> <td>2</td> <td>G230L - AC Q/PEAKXD</td> <td>(1) WD1057+719</td> <td>COS/NUV, ACQ/PEAKXD, PSA</td> <td>G230L 2635 A</td> <td></td> <td></td> <td></td> <td>1 Secs [==>]</td> <td>[1]</td> </tr> <tr> <td colspan="10"> <i>Comments: exposure time taken from ETC 83991, using standard star spectrum of HZ 43 and normalizing to target's V magnitude of 14.68.</i> </td> </tr> <tr> <td>3</td> <td>G230L - AC Q/PEAKD</td> <td>(1) WD1057+719</td> <td>COS/NUV, ACQ/PEAKD, PSA</td> <td>G230L 2635 A</td> <td>CENTER=FLUX-W T-FLR; NUM-POS=9.0; STEP-SIZE=1.</td> <td></td> <td></td> <td>0.7 Secs [==>]</td> <td>[1]</td> </tr> <tr> <td colspan="10"> <i>Comments: exposure time taken from ETC # 83992, using standard star spectrum of HZ 43 and normalizing to target's V mag. of 14.68</i> </td> </tr> <tr> <td>4</td> <td>G230L - 263 5 A</td> <td>(1) WD1057+719</td> <td>COS/NUV, TIME-TAG, PSA</td> <td>G230L 2635 A</td> <td>BUFFER-TIME=32 0; FP-POS=3</td> <td></td> <td></td> <td>480 Secs [==>]</td> <td>[1]</td> </tr> <tr> <td>5</td> <td>G230L - 295 0 A</td> <td>(1) WD1057+719</td> <td>COS/NUV, TIME-TAG, PSA</td> <td>G230L 2950 A</td> <td>BUFFER-TIME=89 3; FP-POS=3</td> <td></td> <td></td> <td>1340 Secs [==>]</td> <td>[1]</td> </tr> </tbody> </table>	#	Label	Target	Config,Mode,Aperture	Spectral Els.	Opt. Params.	Special Reqs.	Groups	Exp. Time/[Actual Dur.]	Orbit	1	G230L - AC Q/SEARCH	(1) WD1057+719	COS/NUV, ACQ/SEARCH, PSA	G230L 2635 A	SCAN-SIZE=3; STEP-SIZE=1.767			0.7 Secs [==>]	[1]	2	G230L - AC Q/PEAKXD	(1) WD1057+719	COS/NUV, ACQ/PEAKXD, PSA	G230L 2635 A				1 Secs [==>]	[1]	<i>Comments: exposure time taken from ETC 83991, using standard star spectrum of HZ 43 and normalizing to target's V magnitude of 14.68.</i>										3	G230L - AC Q/PEAKD	(1) WD1057+719	COS/NUV, ACQ/PEAKD, PSA	G230L 2635 A	CENTER=FLUX-W T-FLR; NUM-POS=9.0; STEP-SIZE=1.			0.7 Secs [==>]	[1]	<i>Comments: exposure time taken from ETC # 83992, using standard star spectrum of HZ 43 and normalizing to target's V mag. of 14.68</i>										4	G230L - 263 5 A	(1) WD1057+719	COS/NUV, TIME-TAG, PSA	G230L 2635 A	BUFFER-TIME=32 0; FP-POS=3			480 Secs [==>]	[1]	5	G230L - 295 0 A	(1) WD1057+719	COS/NUV, TIME-TAG, PSA	G230L 2950 A	BUFFER-TIME=89 3; FP-POS=3			1340 Secs [==>]	[1]
#	Label	Target	Config,Mode,Aperture	Spectral Els.	Opt. Params.	Special Reqs.	Groups	Exp. Time/[Actual Dur.]	Orbit																																																																								
1	G230L - AC Q/SEARCH	(1) WD1057+719	COS/NUV, ACQ/SEARCH, PSA	G230L 2635 A	SCAN-SIZE=3; STEP-SIZE=1.767			0.7 Secs [==>]	[1]																																																																								
2	G230L - AC Q/PEAKXD	(1) WD1057+719	COS/NUV, ACQ/PEAKXD, PSA	G230L 2635 A				1 Secs [==>]	[1]																																																																								
<i>Comments: exposure time taken from ETC 83991, using standard star spectrum of HZ 43 and normalizing to target's V magnitude of 14.68.</i>																																																																																	
3	G230L - AC Q/PEAKD	(1) WD1057+719	COS/NUV, ACQ/PEAKD, PSA	G230L 2635 A	CENTER=FLUX-W T-FLR; NUM-POS=9.0; STEP-SIZE=1.			0.7 Secs [==>]	[1]																																																																								
<i>Comments: exposure time taken from ETC # 83992, using standard star spectrum of HZ 43 and normalizing to target's V mag. of 14.68</i>																																																																																	
4	G230L - 263 5 A	(1) WD1057+719	COS/NUV, TIME-TAG, PSA	G230L 2635 A	BUFFER-TIME=32 0; FP-POS=3			480 Secs [==>]	[1]																																																																								
5	G230L - 295 0 A	(1) WD1057+719	COS/NUV, TIME-TAG, PSA	G230L 2950 A	BUFFER-TIME=89 3; FP-POS=3			1340 Secs [==>]	[1]																																																																								



Proposal 11896 - Visit 04 - NUV Spectroscopic Sensitivity Monitoring

Wed Jan 27 02:08:12 GMT 2010

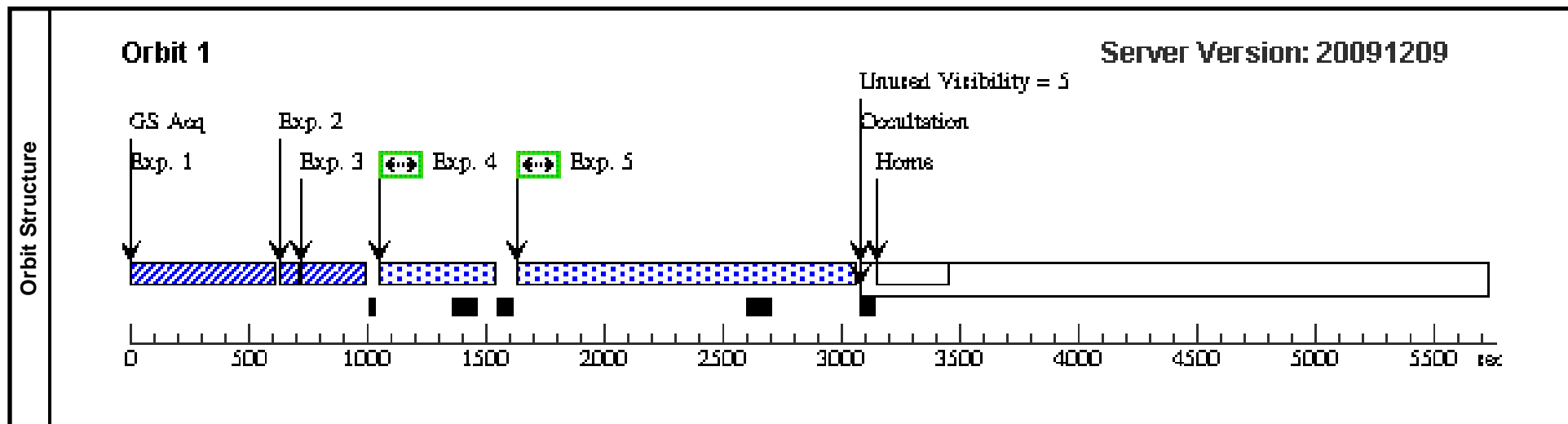
Visit	Proposal 11896, Visit 04, completed Diagnostic Status: Warning Scientific Instruments: COS/NUV Special Requirements: SCHED 100%; BETWEEN 02-NOV-2009:00:00:00 AND 08-NOV-2009:23:59:59																																																																																																								
	Diagnosics (Visit 04) Warning (Orbit Planner): VISIBILITY OVERRUN																																																																																																								
Fixed Targets	<table border="1"> <thead> <tr> <th>#</th> <th>Name</th> <th>Target Coordinates</th> <th>Targ. Coord. Corrections</th> <th>Fluxes</th> <th>Miscellaneous</th> </tr> </thead> <tbody> <tr> <td>(1)</td> <td>WD1057+719</td> <td>RA: 11 00 34.2200 (165.1425833d) Dec: +71 38 2.99 (71.63416d) Equinox: J2000</td> <td>Proper Motion RA: -0.00973s/yr Proper Motion Dec: -0.02"/yr Epoch of Position: 2000</td> <td>V=14.68</td> <td>Reference Frame: ICRS</td> </tr> </tbody> </table> <p><i>Comments: HST FASTEX standard PM, coords from USNOB GSC2 coords are 11:00:34.25, 71:38:02.97, 1997.19 epoch</i></p>						#	Name	Target Coordinates	Targ. Coord. Corrections	Fluxes	Miscellaneous	(1)	WD1057+719	RA: 11 00 34.2200 (165.1425833d) Dec: +71 38 2.99 (71.63416d) Equinox: J2000	Proper Motion RA: -0.00973s/yr Proper Motion Dec: -0.02"/yr Epoch of Position: 2000	V=14.68	Reference Frame: ICRS																																																																																							
	#	Name	Target Coordinates	Targ. Coord. Corrections	Fluxes	Miscellaneous																																																																																																			
(1)	WD1057+719	RA: 11 00 34.2200 (165.1425833d) Dec: +71 38 2.99 (71.63416d) Equinox: J2000	Proper Motion RA: -0.00973s/yr Proper Motion Dec: -0.02"/yr Epoch of Position: 2000	V=14.68	Reference Frame: ICRS																																																																																																				
<table border="1"> <thead> <tr> <th>#</th> <th>Label</th> <th>Target</th> <th>Config,Mode,Aperture</th> <th>Spectral Els.</th> <th>Opt. Params.</th> <th>Special Reqs.</th> <th>Groups</th> <th>Exp. Time/[Actual Dur.]</th> <th>Orbit</th> </tr> </thead> <tbody> <tr> <td>1</td> <td>G230L - AC Q/SEARCH</td> <td>(1) WD1057+719</td> <td>COS/NUV, ACQ/SEARCH, PSA</td> <td>G230L 2635 A</td> <td>SCAN-SIZE=3; STEP-SIZE=1.767</td> <td></td> <td></td> <td>0.7 Secs [==>]</td> <td>[1]</td> </tr> <tr> <td>2</td> <td>G230L - AC Q/PEAKXD</td> <td>(1) WD1057+719</td> <td>COS/NUV, ACQ/PEAKXD, PSA</td> <td>G230L 2635 A</td> <td></td> <td></td> <td></td> <td>1 Secs [==>]</td> <td>[1]</td> </tr> <tr> <td colspan="10"><i>Comments: exposure time taken from ETC 83991, using standard star spectrum of HZ 43 and normalizing to target's V magnitude of 14.68.</i></td> </tr> <tr> <td>3</td> <td>G230L - AC Q/PEAKD</td> <td>(1) WD1057+719</td> <td>COS/NUV, ACQ/PEAKD, PSA</td> <td>G230L 2635 A</td> <td>CENTER=FLUX-W T-FLR; NUM-POS=9.0; STEP-SIZE=1.</td> <td></td> <td></td> <td>0.7 Secs [==>]</td> <td>[1]</td> </tr> <tr> <td colspan="10"><i>Comments: exposure time taken from ETC # 83992, using standard star spectrum of HZ 43 and normalizing to target's V mag. of 14.68</i></td> </tr> <tr> <td>4</td> <td>G230L - 263 5 A</td> <td>(1) WD1057+719</td> <td>COS/NUV, TIME-TAG, PSA</td> <td>G230L 2635 A</td> <td>BUFFER-TIME=36 0; FP-POS=3</td> <td></td> <td></td> <td>540 Secs [==>]</td> <td>[1]</td> </tr> <tr> <td>5</td> <td>G230L - 336 0 A</td> <td>(1) WD1057+719</td> <td>COS/NUV, TIME-TAG, PSA</td> <td>G230L 3360 A</td> <td>BUFFER-TIME=79 5; FP-POS=3</td> <td></td> <td></td> <td>1193 Secs [==>]</td> <td>[1]</td> </tr> <tr> <td>6</td> <td>G230L - 295 0 A</td> <td>(1) WD1057+719</td> <td>COS/NUV, TIME-TAG, PSA</td> <td>G230L 2950 A</td> <td>BUFFER-TIME=10 00; FP-POS=3</td> <td></td> <td></td> <td>1500 Secs [==>]</td> <td>[2]</td> </tr> <tr> <td>7</td> <td>G230L - 336 0 A</td> <td>(1) WD1057+719</td> <td>COS/NUV, TIME-TAG, PSA</td> <td>G230L 3360 A</td> <td>BUFFER-TIME=79 5; FP-POS=3</td> <td></td> <td></td> <td>1193 Secs [==>]</td> <td>[2]</td> </tr> </tbody> </table>						#	Label	Target	Config,Mode,Aperture	Spectral Els.	Opt. Params.	Special Reqs.	Groups	Exp. Time/[Actual Dur.]	Orbit	1	G230L - AC Q/SEARCH	(1) WD1057+719	COS/NUV, ACQ/SEARCH, PSA	G230L 2635 A	SCAN-SIZE=3; STEP-SIZE=1.767			0.7 Secs [==>]	[1]	2	G230L - AC Q/PEAKXD	(1) WD1057+719	COS/NUV, ACQ/PEAKXD, PSA	G230L 2635 A				1 Secs [==>]	[1]	<i>Comments: exposure time taken from ETC 83991, using standard star spectrum of HZ 43 and normalizing to target's V magnitude of 14.68.</i>										3	G230L - AC Q/PEAKD	(1) WD1057+719	COS/NUV, ACQ/PEAKD, PSA	G230L 2635 A	CENTER=FLUX-W T-FLR; NUM-POS=9.0; STEP-SIZE=1.			0.7 Secs [==>]	[1]	<i>Comments: exposure time taken from ETC # 83992, using standard star spectrum of HZ 43 and normalizing to target's V mag. of 14.68</i>										4	G230L - 263 5 A	(1) WD1057+719	COS/NUV, TIME-TAG, PSA	G230L 2635 A	BUFFER-TIME=36 0; FP-POS=3			540 Secs [==>]	[1]	5	G230L - 336 0 A	(1) WD1057+719	COS/NUV, TIME-TAG, PSA	G230L 3360 A	BUFFER-TIME=79 5; FP-POS=3			1193 Secs [==>]	[1]	6	G230L - 295 0 A	(1) WD1057+719	COS/NUV, TIME-TAG, PSA	G230L 2950 A	BUFFER-TIME=10 00; FP-POS=3			1500 Secs [==>]	[2]	7	G230L - 336 0 A	(1) WD1057+719	COS/NUV, TIME-TAG, PSA	G230L 3360 A	BUFFER-TIME=79 5; FP-POS=3			1193 Secs [==>]	[2]
#	Label	Target	Config,Mode,Aperture	Spectral Els.	Opt. Params.	Special Reqs.	Groups	Exp. Time/[Actual Dur.]	Orbit																																																																																																
1	G230L - AC Q/SEARCH	(1) WD1057+719	COS/NUV, ACQ/SEARCH, PSA	G230L 2635 A	SCAN-SIZE=3; STEP-SIZE=1.767			0.7 Secs [==>]	[1]																																																																																																
2	G230L - AC Q/PEAKXD	(1) WD1057+719	COS/NUV, ACQ/PEAKXD, PSA	G230L 2635 A				1 Secs [==>]	[1]																																																																																																
<i>Comments: exposure time taken from ETC 83991, using standard star spectrum of HZ 43 and normalizing to target's V magnitude of 14.68.</i>																																																																																																									
3	G230L - AC Q/PEAKD	(1) WD1057+719	COS/NUV, ACQ/PEAKD, PSA	G230L 2635 A	CENTER=FLUX-W T-FLR; NUM-POS=9.0; STEP-SIZE=1.			0.7 Secs [==>]	[1]																																																																																																
<i>Comments: exposure time taken from ETC # 83992, using standard star spectrum of HZ 43 and normalizing to target's V mag. of 14.68</i>																																																																																																									
4	G230L - 263 5 A	(1) WD1057+719	COS/NUV, TIME-TAG, PSA	G230L 2635 A	BUFFER-TIME=36 0; FP-POS=3			540 Secs [==>]	[1]																																																																																																
5	G230L - 336 0 A	(1) WD1057+719	COS/NUV, TIME-TAG, PSA	G230L 3360 A	BUFFER-TIME=79 5; FP-POS=3			1193 Secs [==>]	[1]																																																																																																
6	G230L - 295 0 A	(1) WD1057+719	COS/NUV, TIME-TAG, PSA	G230L 2950 A	BUFFER-TIME=10 00; FP-POS=3			1500 Secs [==>]	[2]																																																																																																
7	G230L - 336 0 A	(1) WD1057+719	COS/NUV, TIME-TAG, PSA	G230L 3360 A	BUFFER-TIME=79 5; FP-POS=3			1193 Secs [==>]	[2]																																																																																																



Proposal 11896 - Visit 05 - NUV Spectroscopic Sensitivity Monitoring

Wed Jan 27 02:08:13 GMT 2010

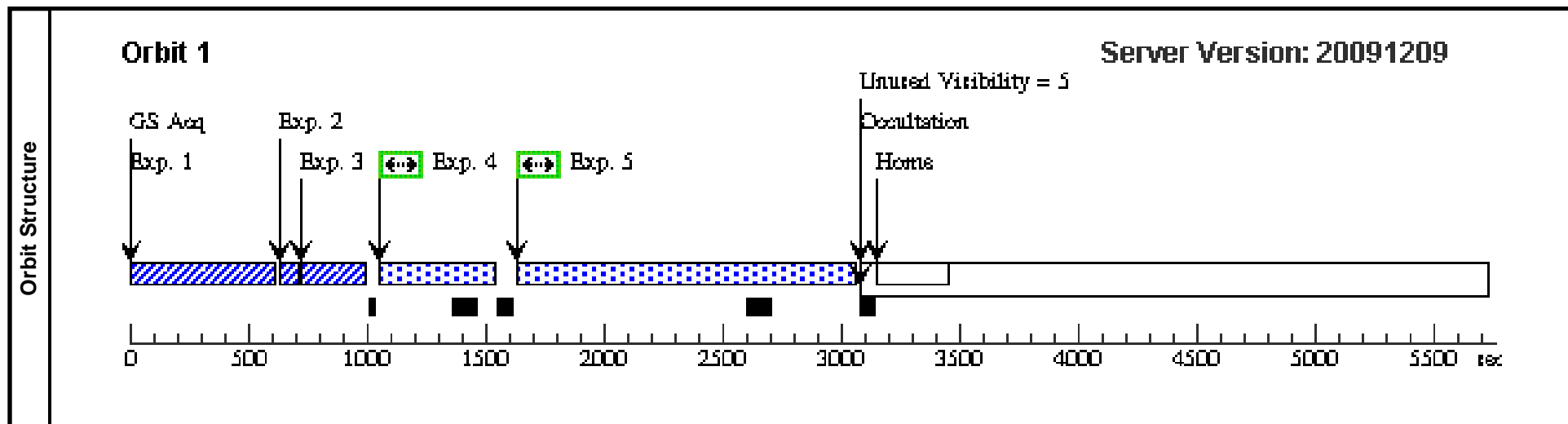
Visit	Proposal 11896, Visit 05, completed Diagnostic Status: No Diagnostics Scientific Instruments: COS/NUV Special Requirements: SCHED 100%; BETWEEN 30-NOV-2009:00:00:00 AND 06-DEC-2009:23:59:59																											
	Fixed Targets	<table border="1"> <thead> <tr> <th>#</th> <th>Name</th> <th>Target Coordinates</th> <th>Targ. Coord. Corrections</th> <th>Fluxes</th> <th>Miscellaneous</th> </tr> </thead> <tbody> <tr> <td>(1)</td> <td>WD1057+719</td> <td>RA: 11 00 34.2200 (165.1425833d) Dec: +71 38 2.99 (71.63416d) Equinox: J2000</td> <td>Proper Motion RA: -0.00973s/yr Proper Motion Dec: -0.02"/yr Epoch of Position: 2000</td> <td>V=14.68</td> <td>Reference Frame: ICRS</td> </tr> <tr> <td colspan="6"> <i>Comments: HST FASTEX standard PM, coords from USNOB</i> GSC2 coords are 11:00:34.25, 71:38:02.97, 1997.19 epoch </td> </tr> </tbody> </table>										#	Name	Target Coordinates	Targ. Coord. Corrections	Fluxes	Miscellaneous	(1)	WD1057+719	RA: 11 00 34.2200 (165.1425833d) Dec: +71 38 2.99 (71.63416d) Equinox: J2000	Proper Motion RA: -0.00973s/yr Proper Motion Dec: -0.02"/yr Epoch of Position: 2000	V=14.68	Reference Frame: ICRS	<i>Comments: HST FASTEX standard PM, coords from USNOB</i> GSC2 coords are 11:00:34.25, 71:38:02.97, 1997.19 epoch				
#	Name	Target Coordinates	Targ. Coord. Corrections	Fluxes	Miscellaneous																							
(1)	WD1057+719	RA: 11 00 34.2200 (165.1425833d) Dec: +71 38 2.99 (71.63416d) Equinox: J2000	Proper Motion RA: -0.00973s/yr Proper Motion Dec: -0.02"/yr Epoch of Position: 2000	V=14.68	Reference Frame: ICRS																							
<i>Comments: HST FASTEX standard PM, coords from USNOB</i> GSC2 coords are 11:00:34.25, 71:38:02.97, 1997.19 epoch																												
Exposures	#	Label	Target	Config,Mode,Aperture	Spectral Els.	Opt. Params.	Special Reqs.	Groups	Exp. Time/[Actual Dur.]	Orbit																		
	1	G230L - AC Q/SEARCH	(1) WD1057+719	COS/NUV, ACQ/SEARCH, PSA	G230L 2635 A	SCAN-SIZE=3; STEP-SIZE=1.767			0.7 Secs [==>]	[1]																		
	2	G230L - AC Q/PEAKXD	(1) WD1057+719	COS/NUV, ACQ/PEAKXD, PSA	G230L 2635 A				1 Secs [==>]	[1]																		
	<i>Comments: exposure time taken from ETC 83991, using standard star spectrum of HZ 43 and normalizing to target's V magnitude of 14.68.</i>																											
	3	G230L - AC Q/PEAKD	(1) WD1057+719	COS/NUV, ACQ/PEAKD, PSA	G230L 2635 A	CENTER=FLUX-W T-FLR; NUM-POS=9.0; STEP-SIZE=1.			0.7 Secs [==>]	[1]																		
	<i>Comments: exposure time taken from ETC # 83992, using standard star spectrum of HZ 43 and normalizing to target's V mag. of 14.68</i>																											
4	G230L - 263 5 A	(1) WD1057+719	COS/NUV, TIME-TAG, PSA	G230L 2635 A	BUFFER-TIME=32 0; FP-POS=3			480 Secs [==>]	[1]																			
5	G230L - 295 0 A	(1) WD1057+719	COS/NUV, TIME-TAG, PSA	G230L 2950 A	BUFFER-TIME=89 3; FP-POS=3			1340 Secs [==>]	[1]																			



Proposal 11896 - Visit 06 - NUV Spectroscopic Sensitivity Monitoring

Wed Jan 27 02:08:13 GMT 2010

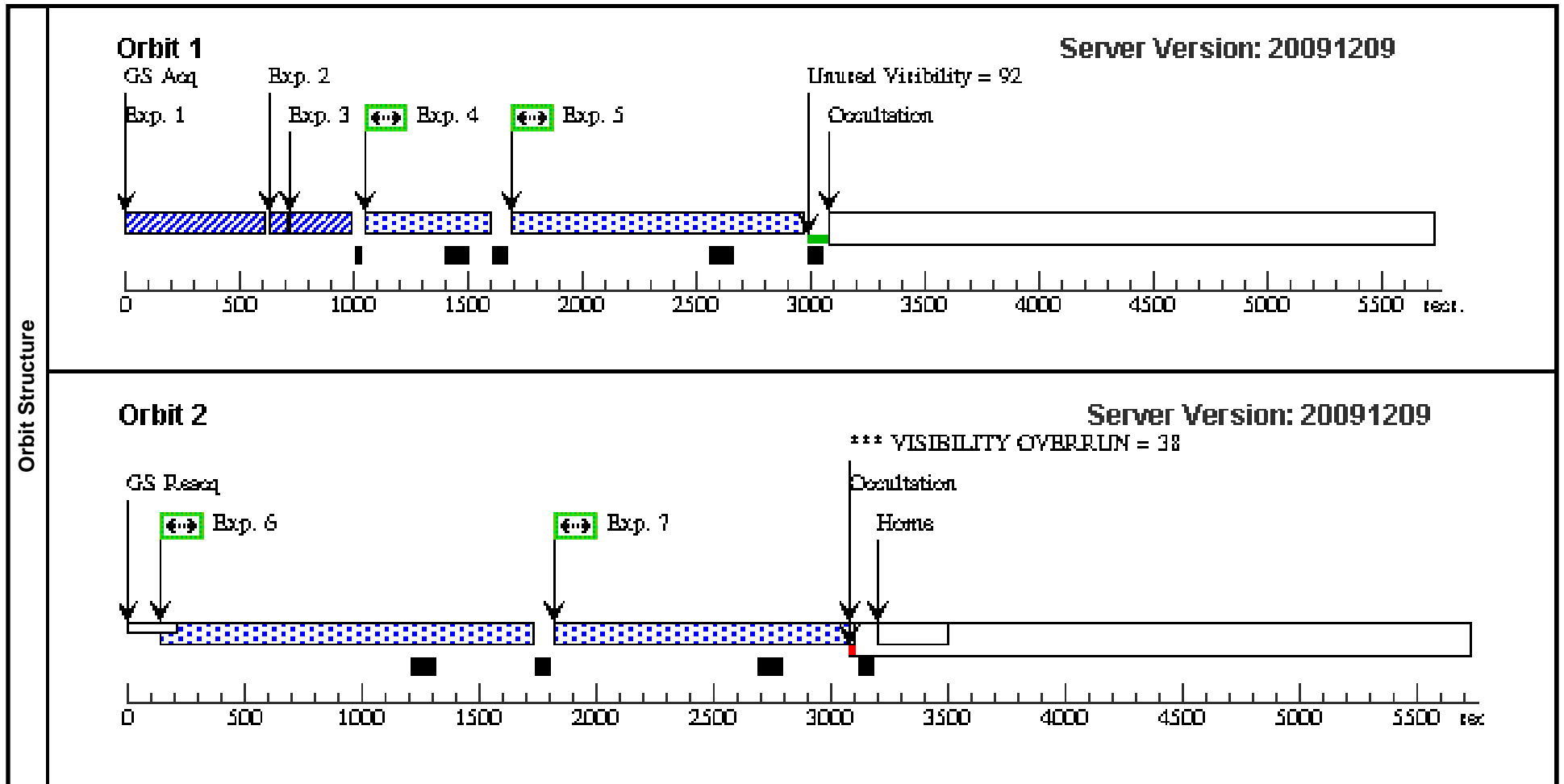
Visit		Proposal 11896, Visit 06, completed Diagnostic Status: No Diagnostics Scientific Instruments: COS/NUV Special Requirements: SCHED 100%; BETWEEN 04-JAN-2010:00:00:00 AND 10-JAN-2010:23:59:59																																																																																
Fixed Targets		<table border="1"> <thead> <tr> <th>#</th> <th>Name</th> <th>Target Coordinates</th> <th>Targ. Coord. Corrections</th> <th>Fluxes</th> <th>Miscellaneous</th> </tr> </thead> <tbody> <tr> <td>(1)</td> <td>WD1057+719</td> <td>RA: 11 00 34.2200 (165.1425833d) Dec: +71 38 2.99 (71.63416d) Equinox: J2000</td> <td>Proper Motion RA: -0.00973s/yr Proper Motion Dec: -0.02"/yr Epoch of Position: 2000</td> <td>V=14.68</td> <td>Reference Frame: ICRS</td> </tr> </tbody> </table> <p><i>Comments: HST FASTEX standard PM, coords from USNOB</i></p> <p><i>GSC2 coords are 11:00:34.25, 71:38:02.97, 1997.19 epoch</i></p>	#	Name	Target Coordinates	Targ. Coord. Corrections	Fluxes	Miscellaneous	(1)	WD1057+719	RA: 11 00 34.2200 (165.1425833d) Dec: +71 38 2.99 (71.63416d) Equinox: J2000	Proper Motion RA: -0.00973s/yr Proper Motion Dec: -0.02"/yr Epoch of Position: 2000	V=14.68	Reference Frame: ICRS																																																																				
#	Name	Target Coordinates	Targ. Coord. Corrections	Fluxes	Miscellaneous																																																																													
(1)	WD1057+719	RA: 11 00 34.2200 (165.1425833d) Dec: +71 38 2.99 (71.63416d) Equinox: J2000	Proper Motion RA: -0.00973s/yr Proper Motion Dec: -0.02"/yr Epoch of Position: 2000	V=14.68	Reference Frame: ICRS																																																																													
Exposures		<table border="1"> <thead> <tr> <th>#</th> <th>Label</th> <th>Target</th> <th>Config,Mode,Aperture</th> <th>Spectral Els.</th> <th>Opt. Params.</th> <th>Special Reqs.</th> <th>Groups</th> <th>Exp. Time/[Actual Dur.]</th> <th>Orbit</th> </tr> </thead> <tbody> <tr> <td>1</td> <td>G230L - AC Q/SEARCH</td> <td>(1) WD1057+719</td> <td>COS/NUV, ACQ/SEARCH, PSA</td> <td>G230L 2635 A</td> <td>SCAN-SIZE=3; STEP-SIZE=1.767</td> <td>GS ACQ SCENARI O BASE1B3</td> <td></td> <td>0.7 Secs [==>]</td> <td>[1]</td> </tr> <tr> <td>2</td> <td>G230L - AC Q/PEAKXD</td> <td>(1) WD1057+719</td> <td>COS/NUV, ACQ/PEAKXD, PSA</td> <td>G230L 2635 A</td> <td></td> <td></td> <td></td> <td>1 Secs [==>]</td> <td>[1]</td> </tr> <tr> <td colspan="10"><i>Comments: exposure time taken from ETC 83991, using standard star spectrum of HZ 43 and normalizing to target's V magnitude of 14.68.</i></td> </tr> <tr> <td>3</td> <td>G230L - AC Q/PEAKD</td> <td>(1) WD1057+719</td> <td>COS/NUV, ACQ/PEAKD, PSA</td> <td>G230L 2635 A</td> <td>CENTER=FLUX-W T-FLR; NUM-POS=9.0; STEP-SIZE=1.</td> <td></td> <td></td> <td>0.7 Secs [==>]</td> <td>[1]</td> </tr> <tr> <td colspan="10"><i>Comments: exposure time taken from ETC # 83992, using standard star spectrum of HZ 43 and normalizing to target's V mag. of 14.68</i></td> </tr> <tr> <td>4</td> <td>G230L - 263 5 A</td> <td>(1) WD1057+719</td> <td>COS/NUV, TIME-TAG, PSA</td> <td>G230L 2635 A</td> <td>BUFFER-TIME=32 0; FP-POS=3</td> <td></td> <td></td> <td>480 Secs [==>]</td> <td>[1]</td> </tr> <tr> <td>5</td> <td>G230L - 295 0 A</td> <td>(1) WD1057+719</td> <td>COS/NUV, TIME-TAG, PSA</td> <td>G230L 2950 A</td> <td>BUFFER-TIME=89 3; FP-POS=3</td> <td></td> <td></td> <td>1340 Secs [==>]</td> <td>[1]</td> </tr> </tbody> </table>	#	Label	Target	Config,Mode,Aperture	Spectral Els.	Opt. Params.	Special Reqs.	Groups	Exp. Time/[Actual Dur.]	Orbit	1	G230L - AC Q/SEARCH	(1) WD1057+719	COS/NUV, ACQ/SEARCH, PSA	G230L 2635 A	SCAN-SIZE=3; STEP-SIZE=1.767	GS ACQ SCENARI O BASE1B3		0.7 Secs [==>]	[1]	2	G230L - AC Q/PEAKXD	(1) WD1057+719	COS/NUV, ACQ/PEAKXD, PSA	G230L 2635 A				1 Secs [==>]	[1]	<i>Comments: exposure time taken from ETC 83991, using standard star spectrum of HZ 43 and normalizing to target's V magnitude of 14.68.</i>										3	G230L - AC Q/PEAKD	(1) WD1057+719	COS/NUV, ACQ/PEAKD, PSA	G230L 2635 A	CENTER=FLUX-W T-FLR; NUM-POS=9.0; STEP-SIZE=1.			0.7 Secs [==>]	[1]	<i>Comments: exposure time taken from ETC # 83992, using standard star spectrum of HZ 43 and normalizing to target's V mag. of 14.68</i>										4	G230L - 263 5 A	(1) WD1057+719	COS/NUV, TIME-TAG, PSA	G230L 2635 A	BUFFER-TIME=32 0; FP-POS=3			480 Secs [==>]	[1]	5	G230L - 295 0 A	(1) WD1057+719	COS/NUV, TIME-TAG, PSA	G230L 2950 A	BUFFER-TIME=89 3; FP-POS=3			1340 Secs [==>]	[1]
#	Label	Target	Config,Mode,Aperture	Spectral Els.	Opt. Params.	Special Reqs.	Groups	Exp. Time/[Actual Dur.]	Orbit																																																																									
1	G230L - AC Q/SEARCH	(1) WD1057+719	COS/NUV, ACQ/SEARCH, PSA	G230L 2635 A	SCAN-SIZE=3; STEP-SIZE=1.767	GS ACQ SCENARI O BASE1B3		0.7 Secs [==>]	[1]																																																																									
2	G230L - AC Q/PEAKXD	(1) WD1057+719	COS/NUV, ACQ/PEAKXD, PSA	G230L 2635 A				1 Secs [==>]	[1]																																																																									
<i>Comments: exposure time taken from ETC 83991, using standard star spectrum of HZ 43 and normalizing to target's V magnitude of 14.68.</i>																																																																																		
3	G230L - AC Q/PEAKD	(1) WD1057+719	COS/NUV, ACQ/PEAKD, PSA	G230L 2635 A	CENTER=FLUX-W T-FLR; NUM-POS=9.0; STEP-SIZE=1.			0.7 Secs [==>]	[1]																																																																									
<i>Comments: exposure time taken from ETC # 83992, using standard star spectrum of HZ 43 and normalizing to target's V mag. of 14.68</i>																																																																																		
4	G230L - 263 5 A	(1) WD1057+719	COS/NUV, TIME-TAG, PSA	G230L 2635 A	BUFFER-TIME=32 0; FP-POS=3			480 Secs [==>]	[1]																																																																									
5	G230L - 295 0 A	(1) WD1057+719	COS/NUV, TIME-TAG, PSA	G230L 2950 A	BUFFER-TIME=89 3; FP-POS=3			1340 Secs [==>]	[1]																																																																									



Proposal 11896 - Visit 07 - NUV Spectroscopic Sensitivity Monitoring

Wed Jan 27 02:08:13 GMT 2010

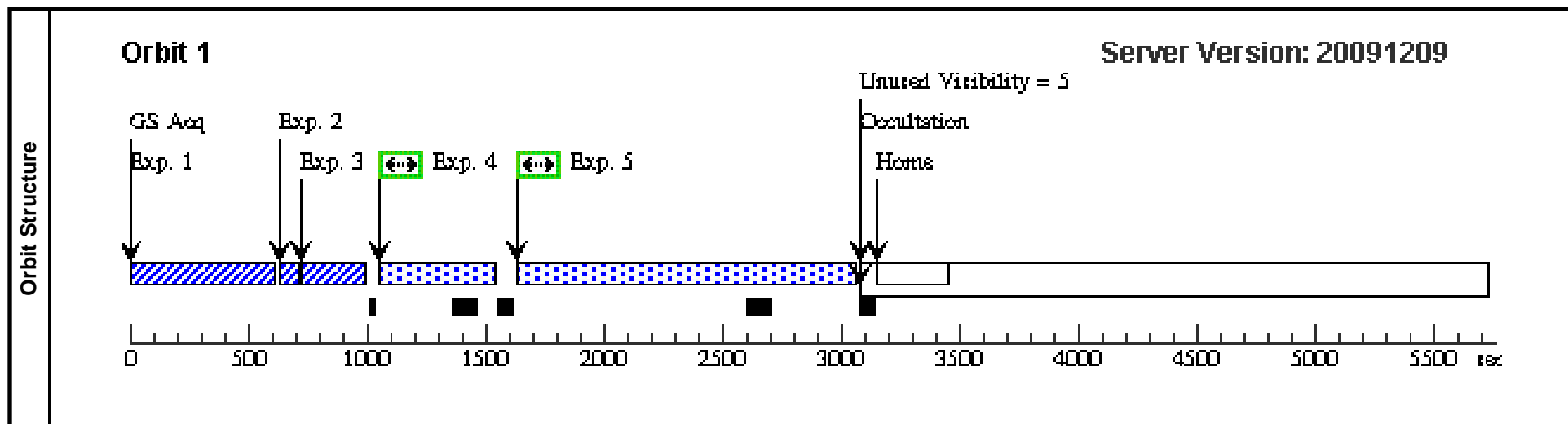
Visit	Proposal 11896, Visit 07, scheduling Diagnostic Status: Warning Scientific Instruments: COS/NUV Special Requirements: SCHED 100%; BETWEEN 01-FEB-2010:00:00:00 AND 07-FEB-2010:23:59:59																																																																																																									
	(Visit 07) Warning (Orbit Planner): VISIBILITY OVERRUN																																																																																																									
Diagnostics																																																																																																										
Fixed Targets	<table border="1"> <thead> <tr> <th>#</th> <th>Name</th> <th>Target Coordinates</th> <th>Targ. Coord. Corrections</th> <th>Fluxes</th> <th>Miscellaneous</th> </tr> </thead> <tbody> <tr> <td>(1)</td> <td>WD1057+719</td> <td>RA: 11 00 34.2200 (165.1425833d) Dec: +71 38 2.99 (71.63416d) Equinox: J2000</td> <td>Proper Motion RA: -0.00973s/yr Proper Motion Dec: -0.02"/yr Epoch of Position: 2000</td> <td>V=14.68</td> <td>Reference Frame: ICRS</td> </tr> </tbody> </table>	#	Name	Target Coordinates	Targ. Coord. Corrections	Fluxes	Miscellaneous	(1)	WD1057+719	RA: 11 00 34.2200 (165.1425833d) Dec: +71 38 2.99 (71.63416d) Equinox: J2000	Proper Motion RA: -0.00973s/yr Proper Motion Dec: -0.02"/yr Epoch of Position: 2000	V=14.68	Reference Frame: ICRS	Comments: HST FASTEX standard PM, coords from USNOB GSC2 coords are 11:00:34.25, 71:38:02.97, 1997.19 epoch																																																																																												
	#	Name	Target Coordinates	Targ. Coord. Corrections	Fluxes	Miscellaneous																																																																																																				
(1)	WD1057+719	RA: 11 00 34.2200 (165.1425833d) Dec: +71 38 2.99 (71.63416d) Equinox: J2000	Proper Motion RA: -0.00973s/yr Proper Motion Dec: -0.02"/yr Epoch of Position: 2000	V=14.68	Reference Frame: ICRS																																																																																																					
Exposures	<table border="1"> <thead> <tr> <th>#</th> <th>Label</th> <th>Target</th> <th>Config,Mode,Aperture</th> <th>Spectral Els.</th> <th>Opt. Params.</th> <th>Special Reqs.</th> <th>Groups</th> <th>Exp. Time/[Actual Dur.]</th> <th>Orbit</th> </tr> </thead> <tbody> <tr> <td>1</td> <td>G230L - AC Q/SEARCH</td> <td>(1) WD1057+719</td> <td>COS/NUV, ACQ/SEARCH, PSA</td> <td>G230L 2635 A</td> <td>SCAN-SIZE=3; STEP-SIZE=1.767</td> <td></td> <td></td> <td>0.7 Secs [==>]</td> <td>[1]</td> </tr> <tr> <td>2</td> <td>G230L - AC Q/PEAKXD</td> <td>(1) WD1057+719</td> <td>COS/NUV, ACQ/PEAKXD, PSA</td> <td>G230L 2635 A</td> <td></td> <td></td> <td></td> <td>1 Secs [==>]</td> <td>[1]</td> </tr> <tr> <td colspan="10"> Comments: exposure time taken from ETC 83991, using standard star spectrum of HZ 43 and normalizing to target's V magnitude of 14.68. </td> </tr> <tr> <td>3</td> <td>G230L - AC Q/PEAKD</td> <td>(1) WD1057+719</td> <td>COS/NUV, ACQ/PEAKD, PSA</td> <td>G230L 2635 A</td> <td>CENTER=FLUX-W T-FLR; NUM-POS=9.0; STEP-SIZE=1.</td> <td></td> <td></td> <td>0.7 Secs [==>]</td> <td>[1]</td> </tr> <tr> <td colspan="10"> Comments: exposure time taken from ETC # 83992, using standard star spectrum of HZ 43 and normalizing to target's V mag. of 14.68 </td> </tr> <tr> <td>4</td> <td>G230L - 263 5 A</td> <td>(1) WD1057+719</td> <td>COS/NUV, TIME-TAG, PSA</td> <td>G230L 2635 A</td> <td>BUFFER-TIME=36 0; FP-POS=3</td> <td></td> <td></td> <td>540 Secs [==>]</td> <td>[1]</td> </tr> <tr> <td>5</td> <td>G230L - 336 0 A</td> <td>(1) WD1057+719</td> <td>COS/NUV, TIME-TAG, PSA</td> <td>G230L 3360 A</td> <td>BUFFER-TIME=79 5; FP-POS=3</td> <td></td> <td></td> <td>1193 Secs [==>]</td> <td>[1]</td> </tr> <tr> <td>6</td> <td>G230L - 295 0 A</td> <td>(1) WD1057+719</td> <td>COS/NUV, TIME-TAG, PSA</td> <td>G230L 2950 A</td> <td>BUFFER-TIME=10 00; FP-POS=3</td> <td></td> <td></td> <td>1500 Secs [==>]</td> <td>[2]</td> </tr> <tr> <td>7</td> <td>G230L - 336 0 A</td> <td>(1) WD1057+719</td> <td>COS/NUV, TIME-TAG, PSA</td> <td>G230L 3360 A</td> <td>BUFFER-TIME=79 5; FP-POS=3</td> <td></td> <td></td> <td>1193 Secs [==>]</td> <td>[2]</td> </tr> </tbody> </table>	#	Label	Target	Config,Mode,Aperture	Spectral Els.	Opt. Params.	Special Reqs.	Groups	Exp. Time/[Actual Dur.]	Orbit	1	G230L - AC Q/SEARCH	(1) WD1057+719	COS/NUV, ACQ/SEARCH, PSA	G230L 2635 A	SCAN-SIZE=3; STEP-SIZE=1.767			0.7 Secs [==>]	[1]	2	G230L - AC Q/PEAKXD	(1) WD1057+719	COS/NUV, ACQ/PEAKXD, PSA	G230L 2635 A				1 Secs [==>]	[1]	Comments: exposure time taken from ETC 83991, using standard star spectrum of HZ 43 and normalizing to target's V magnitude of 14.68.										3	G230L - AC Q/PEAKD	(1) WD1057+719	COS/NUV, ACQ/PEAKD, PSA	G230L 2635 A	CENTER=FLUX-W T-FLR; NUM-POS=9.0; STEP-SIZE=1.			0.7 Secs [==>]	[1]	Comments: exposure time taken from ETC # 83992, using standard star spectrum of HZ 43 and normalizing to target's V mag. of 14.68										4	G230L - 263 5 A	(1) WD1057+719	COS/NUV, TIME-TAG, PSA	G230L 2635 A	BUFFER-TIME=36 0; FP-POS=3			540 Secs [==>]	[1]	5	G230L - 336 0 A	(1) WD1057+719	COS/NUV, TIME-TAG, PSA	G230L 3360 A	BUFFER-TIME=79 5; FP-POS=3			1193 Secs [==>]	[1]	6	G230L - 295 0 A	(1) WD1057+719	COS/NUV, TIME-TAG, PSA	G230L 2950 A	BUFFER-TIME=10 00; FP-POS=3			1500 Secs [==>]	[2]	7	G230L - 336 0 A	(1) WD1057+719	COS/NUV, TIME-TAG, PSA	G230L 3360 A	BUFFER-TIME=79 5; FP-POS=3			1193 Secs [==>]	[2]					
	#	Label	Target	Config,Mode,Aperture	Spectral Els.	Opt. Params.	Special Reqs.	Groups	Exp. Time/[Actual Dur.]	Orbit																																																																																																
	1	G230L - AC Q/SEARCH	(1) WD1057+719	COS/NUV, ACQ/SEARCH, PSA	G230L 2635 A	SCAN-SIZE=3; STEP-SIZE=1.767			0.7 Secs [==>]	[1]																																																																																																
	2	G230L - AC Q/PEAKXD	(1) WD1057+719	COS/NUV, ACQ/PEAKXD, PSA	G230L 2635 A				1 Secs [==>]	[1]																																																																																																
	Comments: exposure time taken from ETC 83991, using standard star spectrum of HZ 43 and normalizing to target's V magnitude of 14.68.																																																																																																									
	3	G230L - AC Q/PEAKD	(1) WD1057+719	COS/NUV, ACQ/PEAKD, PSA	G230L 2635 A	CENTER=FLUX-W T-FLR; NUM-POS=9.0; STEP-SIZE=1.			0.7 Secs [==>]	[1]																																																																																																
	Comments: exposure time taken from ETC # 83992, using standard star spectrum of HZ 43 and normalizing to target's V mag. of 14.68																																																																																																									
	4	G230L - 263 5 A	(1) WD1057+719	COS/NUV, TIME-TAG, PSA	G230L 2635 A	BUFFER-TIME=36 0; FP-POS=3			540 Secs [==>]	[1]																																																																																																
5	G230L - 336 0 A	(1) WD1057+719	COS/NUV, TIME-TAG, PSA	G230L 3360 A	BUFFER-TIME=79 5; FP-POS=3			1193 Secs [==>]	[1]																																																																																																	
6	G230L - 295 0 A	(1) WD1057+719	COS/NUV, TIME-TAG, PSA	G230L 2950 A	BUFFER-TIME=10 00; FP-POS=3			1500 Secs [==>]	[2]																																																																																																	
7	G230L - 336 0 A	(1) WD1057+719	COS/NUV, TIME-TAG, PSA	G230L 3360 A	BUFFER-TIME=79 5; FP-POS=3			1193 Secs [==>]	[2]																																																																																																	



Proposal 11896 - Visit 08 - NUV Spectroscopic Sensitivity Monitoring

Wed Jan 27 02:08:14 GMT 2010

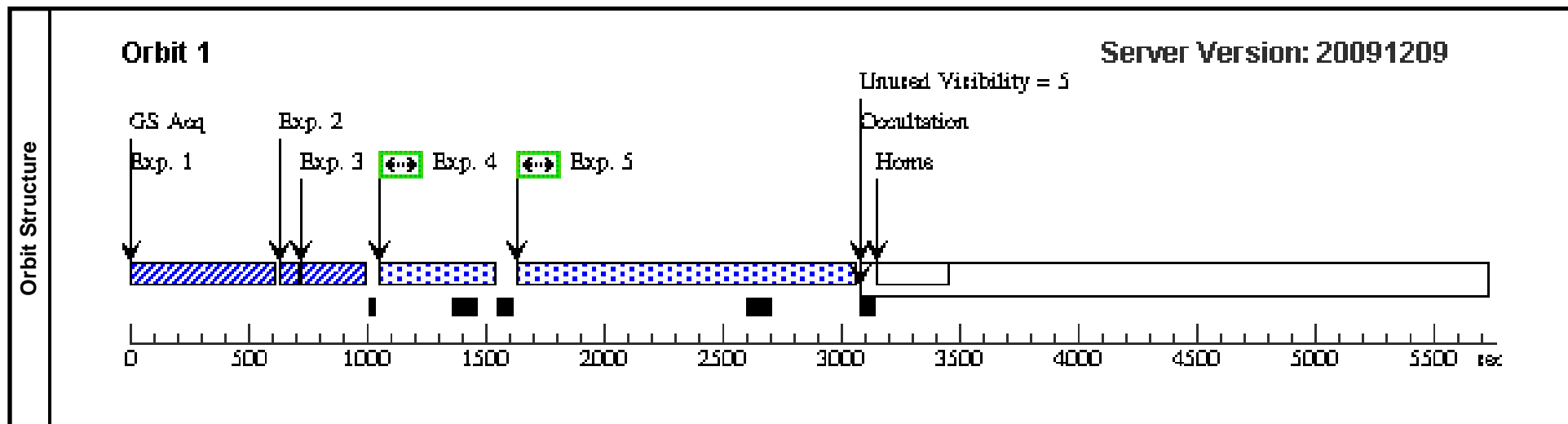
Visit		Proposal 11896, Visit 08, scheduling Diagnostic Status: No Diagnostics Scientific Instruments: COS/NUV Special Requirements: SCHED 100%; BETWEEN 01-MAR-2010:00:00:00 AND 07-MAR-2010:23:59:59																																																																																
Fixed Targets		<table border="1"> <thead> <tr> <th>#</th> <th>Name</th> <th>Target Coordinates</th> <th>Targ. Coord. Corrections</th> <th>Fluxes</th> <th>Miscellaneous</th> </tr> </thead> <tbody> <tr> <td>(1)</td> <td>WD1057+719</td> <td>RA: 11 00 34.2200 (165.1425833d) Dec: +71 38 2.99 (71.63416d) Equinox: J2000</td> <td>Proper Motion RA: -0.00973s/yr Proper Motion Dec: -0.02"/yr Epoch of Position: 2000</td> <td>V=14.68</td> <td>Reference Frame: ICRS</td> </tr> </tbody> </table> <p><i>Comments: HST FASTEX standard PM, coords from USNOB</i></p> <p><i>GSC2 coords are 11:00:34.25, 71:38:02.97, 1997.19 epoch</i></p>	#	Name	Target Coordinates	Targ. Coord. Corrections	Fluxes	Miscellaneous	(1)	WD1057+719	RA: 11 00 34.2200 (165.1425833d) Dec: +71 38 2.99 (71.63416d) Equinox: J2000	Proper Motion RA: -0.00973s/yr Proper Motion Dec: -0.02"/yr Epoch of Position: 2000	V=14.68	Reference Frame: ICRS																																																																				
#	Name	Target Coordinates	Targ. Coord. Corrections	Fluxes	Miscellaneous																																																																													
(1)	WD1057+719	RA: 11 00 34.2200 (165.1425833d) Dec: +71 38 2.99 (71.63416d) Equinox: J2000	Proper Motion RA: -0.00973s/yr Proper Motion Dec: -0.02"/yr Epoch of Position: 2000	V=14.68	Reference Frame: ICRS																																																																													
Exposures		<table border="1"> <thead> <tr> <th>#</th> <th>Label</th> <th>Target</th> <th>Config,Mode,Aperture</th> <th>Spectral Els.</th> <th>Opt. Params.</th> <th>Special Reqs.</th> <th>Groups</th> <th>Exp. Time/[Actual Dur.]</th> <th>Orbit</th> </tr> </thead> <tbody> <tr> <td>1</td> <td>G230L - AC Q/SEARCH</td> <td>(1) WD1057+719</td> <td>COS/NUV, ACQ/SEARCH, PSA</td> <td>G230L 2635 A</td> <td>SCAN-SIZE=3; STEP-SIZE=1.767</td> <td></td> <td></td> <td>0.7 Secs [==>]</td> <td>[1]</td> </tr> <tr> <td>2</td> <td>G230L - AC Q/PEAKXD</td> <td>(1) WD1057+719</td> <td>COS/NUV, ACQ/PEAKXD, PSA</td> <td>G230L 2635 A</td> <td></td> <td></td> <td></td> <td>1 Secs [==>]</td> <td>[1]</td> </tr> <tr> <td colspan="10"><i>Comments: exposure time taken from ETC 83991, using standard star spectrum of HZ 43 and normalizing to target's V magnitude of 14.68.</i></td> </tr> <tr> <td>3</td> <td>G230L - AC Q/PEAKD</td> <td>(1) WD1057+719</td> <td>COS/NUV, ACQ/PEAKD, PSA</td> <td>G230L 2635 A</td> <td>CENTER=FLUX-W T-FLR; NUM-POS=9.0; STEP-SIZE=1.</td> <td></td> <td></td> <td>0.7 Secs [==>]</td> <td>[1]</td> </tr> <tr> <td colspan="10"><i>Comments: exposure time taken from ETC # 83992, using standard star spectrum of HZ 43 and normalizing to target's V mag. of 14.68</i></td> </tr> <tr> <td>4</td> <td>G230L - 263 5 A</td> <td>(1) WD1057+719</td> <td>COS/NUV, TIME-TAG, PSA</td> <td>G230L 2635 A</td> <td>BUFFER-TIME=32 0; FP-POS=3</td> <td></td> <td></td> <td>480 Secs [==>]</td> <td>[1]</td> </tr> <tr> <td>5</td> <td>G230L - 295 0 A</td> <td>(1) WD1057+719</td> <td>COS/NUV, TIME-TAG, PSA</td> <td>G230L 2950 A</td> <td>BUFFER-TIME=89 3; FP-POS=3</td> <td></td> <td></td> <td>1340 Secs [==>]</td> <td>[1]</td> </tr> </tbody> </table>	#	Label	Target	Config,Mode,Aperture	Spectral Els.	Opt. Params.	Special Reqs.	Groups	Exp. Time/[Actual Dur.]	Orbit	1	G230L - AC Q/SEARCH	(1) WD1057+719	COS/NUV, ACQ/SEARCH, PSA	G230L 2635 A	SCAN-SIZE=3; STEP-SIZE=1.767			0.7 Secs [==>]	[1]	2	G230L - AC Q/PEAKXD	(1) WD1057+719	COS/NUV, ACQ/PEAKXD, PSA	G230L 2635 A				1 Secs [==>]	[1]	<i>Comments: exposure time taken from ETC 83991, using standard star spectrum of HZ 43 and normalizing to target's V magnitude of 14.68.</i>										3	G230L - AC Q/PEAKD	(1) WD1057+719	COS/NUV, ACQ/PEAKD, PSA	G230L 2635 A	CENTER=FLUX-W T-FLR; NUM-POS=9.0; STEP-SIZE=1.			0.7 Secs [==>]	[1]	<i>Comments: exposure time taken from ETC # 83992, using standard star spectrum of HZ 43 and normalizing to target's V mag. of 14.68</i>										4	G230L - 263 5 A	(1) WD1057+719	COS/NUV, TIME-TAG, PSA	G230L 2635 A	BUFFER-TIME=32 0; FP-POS=3			480 Secs [==>]	[1]	5	G230L - 295 0 A	(1) WD1057+719	COS/NUV, TIME-TAG, PSA	G230L 2950 A	BUFFER-TIME=89 3; FP-POS=3			1340 Secs [==>]	[1]
#	Label	Target	Config,Mode,Aperture	Spectral Els.	Opt. Params.	Special Reqs.	Groups	Exp. Time/[Actual Dur.]	Orbit																																																																									
1	G230L - AC Q/SEARCH	(1) WD1057+719	COS/NUV, ACQ/SEARCH, PSA	G230L 2635 A	SCAN-SIZE=3; STEP-SIZE=1.767			0.7 Secs [==>]	[1]																																																																									
2	G230L - AC Q/PEAKXD	(1) WD1057+719	COS/NUV, ACQ/PEAKXD, PSA	G230L 2635 A				1 Secs [==>]	[1]																																																																									
<i>Comments: exposure time taken from ETC 83991, using standard star spectrum of HZ 43 and normalizing to target's V magnitude of 14.68.</i>																																																																																		
3	G230L - AC Q/PEAKD	(1) WD1057+719	COS/NUV, ACQ/PEAKD, PSA	G230L 2635 A	CENTER=FLUX-W T-FLR; NUM-POS=9.0; STEP-SIZE=1.			0.7 Secs [==>]	[1]																																																																									
<i>Comments: exposure time taken from ETC # 83992, using standard star spectrum of HZ 43 and normalizing to target's V mag. of 14.68</i>																																																																																		
4	G230L - 263 5 A	(1) WD1057+719	COS/NUV, TIME-TAG, PSA	G230L 2635 A	BUFFER-TIME=32 0; FP-POS=3			480 Secs [==>]	[1]																																																																									
5	G230L - 295 0 A	(1) WD1057+719	COS/NUV, TIME-TAG, PSA	G230L 2950 A	BUFFER-TIME=89 3; FP-POS=3			1340 Secs [==>]	[1]																																																																									



Proposal 11896 - Visit 09 - NUV Spectroscopic Sensitivity Monitoring

Wed Jan 27 02:08:14 GMT 2010

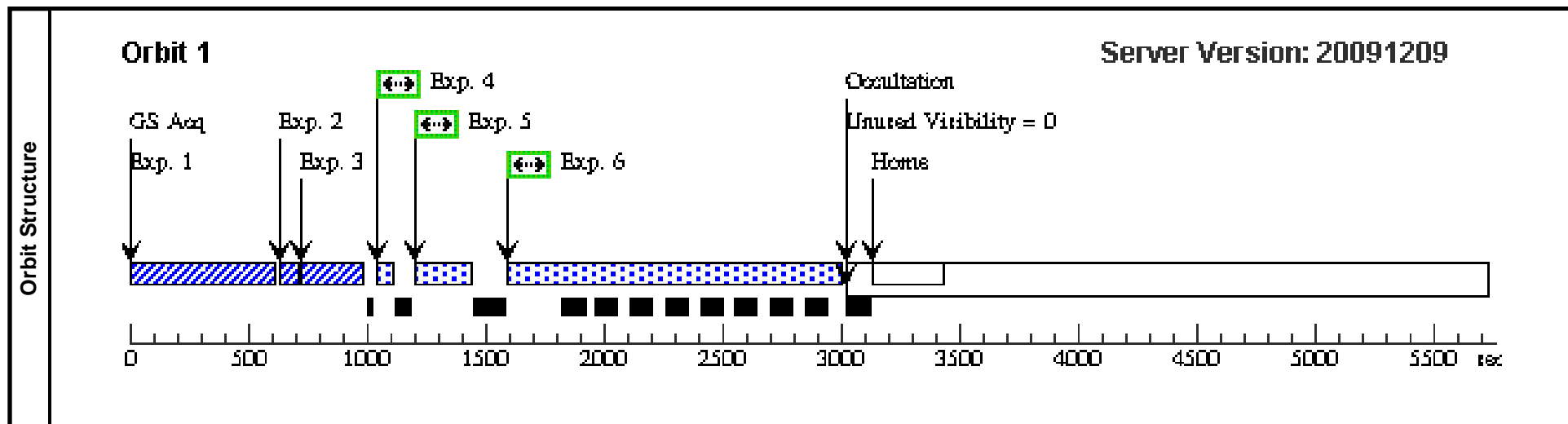
Visit	Proposal 11896, Visit 09, scheduling Diagnostic Status: No Diagnostics Scientific Instruments: COS/NUV Special Requirements: SCHED 100%; BETWEEN 29-MAR-2010:00:00:00 AND 04-APR-2010:23:59:59																																																																																									
	Fixed Targets	<table border="1"> <thead> <tr> <th>#</th> <th>Name</th> <th>Target Coordinates</th> <th>Targ. Coord. Corrections</th> <th>Fluxes</th> <th>Miscellaneous</th> </tr> </thead> <tbody> <tr> <td>(1)</td> <td>WD1057+719</td> <td>RA: 11 00 34.2200 (165.1425833d) Dec: +71 38 2.99 (71.63416d) Equinox: J2000</td> <td>Proper Motion RA: -0.00973s/yr Proper Motion Dec: -0.02"/yr Epoch of Position: 2000</td> <td>V=14.68</td> <td>Reference Frame: ICRS</td> </tr> <tr> <td colspan="6"> <i>Comments: HST FASTEX standard PM, coords from USNOB</i> GSC2 coords are 11:00:34.25, 71:38:02.97, 1997.19 epoch </td> </tr> </tbody> </table>										#	Name	Target Coordinates	Targ. Coord. Corrections	Fluxes	Miscellaneous	(1)	WD1057+719	RA: 11 00 34.2200 (165.1425833d) Dec: +71 38 2.99 (71.63416d) Equinox: J2000	Proper Motion RA: -0.00973s/yr Proper Motion Dec: -0.02"/yr Epoch of Position: 2000	V=14.68	Reference Frame: ICRS	<i>Comments: HST FASTEX standard PM, coords from USNOB</i> GSC2 coords are 11:00:34.25, 71:38:02.97, 1997.19 epoch																																																																		
#	Name	Target Coordinates	Targ. Coord. Corrections	Fluxes	Miscellaneous																																																																																					
(1)	WD1057+719	RA: 11 00 34.2200 (165.1425833d) Dec: +71 38 2.99 (71.63416d) Equinox: J2000	Proper Motion RA: -0.00973s/yr Proper Motion Dec: -0.02"/yr Epoch of Position: 2000	V=14.68	Reference Frame: ICRS																																																																																					
<i>Comments: HST FASTEX standard PM, coords from USNOB</i> GSC2 coords are 11:00:34.25, 71:38:02.97, 1997.19 epoch																																																																																										
Exposures	<table border="1"> <thead> <tr> <th>#</th> <th>Label</th> <th>Target</th> <th>Config,Mode,Aperture</th> <th>Spectral Els.</th> <th>Opt. Params.</th> <th>Special Reqs.</th> <th>Groups</th> <th>Exp. Time/[Actual Dur.]</th> <th>Orbit</th> </tr> </thead> <tbody> <tr> <td>1</td> <td>G230L - AC Q/SEARCH</td> <td>(1) WD1057+719</td> <td>COS/NUV, ACQ/SEARCH, PSA</td> <td>G230L 2635 A</td> <td>SCAN-SIZE=3; STEP-SIZE=1.767</td> <td>GS ACQ SCENARI O BASE1B3</td> <td></td> <td>0.7 Secs [==>]</td> <td>[1]</td> </tr> <tr> <td>2</td> <td>G230L - AC Q/PEAKXD</td> <td>(1) WD1057+719</td> <td>COS/NUV, ACQ/PEAKXD, PSA</td> <td>G230L 2635 A</td> <td></td> <td></td> <td></td> <td>1 Secs [==>]</td> <td>[1]</td> </tr> <tr> <td colspan="10"> <i>Comments: exposure time taken from ETC 83991, using standard star spectrum of HZ 43 and normalizing to target's V magnitude of 14.68.</i> </td> </tr> <tr> <td>3</td> <td>G230L - AC Q/PEAKD</td> <td>(1) WD1057+719</td> <td>COS/NUV, ACQ/PEAKD, PSA</td> <td>G230L 2635 A</td> <td>CENTER=FLUX-W T-FLR; NUM-POS=9.0; STEP-SIZE=1.</td> <td></td> <td></td> <td>0.7 Secs [==>]</td> <td>[1]</td> </tr> <tr> <td colspan="10"> <i>Comments: exposure time taken from ETC # 83992, using standard star spectrum of HZ 43 and normalizing to target's V mag. of 14.68</i> </td> </tr> <tr> <td>4</td> <td>G230L - 263 5 A</td> <td>(1) WD1057+719</td> <td>COS/NUV, TIME-TAG, PSA</td> <td>G230L 2635 A</td> <td>BUFFER-TIME=32 0; FP-POS=3</td> <td></td> <td></td> <td>480 Secs [==>]</td> <td>[1]</td> </tr> <tr> <td>5</td> <td>G230L - 295 0 A</td> <td>(1) WD1057+719</td> <td>COS/NUV, TIME-TAG, PSA</td> <td>G230L 2950 A</td> <td>BUFFER-TIME=89 3; FP-POS=3</td> <td></td> <td></td> <td>1340 Secs [==>]</td> <td>[1]</td> </tr> </tbody> </table>										#	Label	Target	Config,Mode,Aperture	Spectral Els.	Opt. Params.	Special Reqs.	Groups	Exp. Time/[Actual Dur.]	Orbit	1	G230L - AC Q/SEARCH	(1) WD1057+719	COS/NUV, ACQ/SEARCH, PSA	G230L 2635 A	SCAN-SIZE=3; STEP-SIZE=1.767	GS ACQ SCENARI O BASE1B3		0.7 Secs [==>]	[1]	2	G230L - AC Q/PEAKXD	(1) WD1057+719	COS/NUV, ACQ/PEAKXD, PSA	G230L 2635 A				1 Secs [==>]	[1]	<i>Comments: exposure time taken from ETC 83991, using standard star spectrum of HZ 43 and normalizing to target's V magnitude of 14.68.</i>										3	G230L - AC Q/PEAKD	(1) WD1057+719	COS/NUV, ACQ/PEAKD, PSA	G230L 2635 A	CENTER=FLUX-W T-FLR; NUM-POS=9.0; STEP-SIZE=1.			0.7 Secs [==>]	[1]	<i>Comments: exposure time taken from ETC # 83992, using standard star spectrum of HZ 43 and normalizing to target's V mag. of 14.68</i>										4	G230L - 263 5 A	(1) WD1057+719	COS/NUV, TIME-TAG, PSA	G230L 2635 A	BUFFER-TIME=32 0; FP-POS=3			480 Secs [==>]	[1]	5	G230L - 295 0 A	(1) WD1057+719	COS/NUV, TIME-TAG, PSA	G230L 2950 A	BUFFER-TIME=89 3; FP-POS=3			1340 Secs [==>]	[1]
#	Label	Target	Config,Mode,Aperture	Spectral Els.	Opt. Params.	Special Reqs.	Groups	Exp. Time/[Actual Dur.]	Orbit																																																																																	
1	G230L - AC Q/SEARCH	(1) WD1057+719	COS/NUV, ACQ/SEARCH, PSA	G230L 2635 A	SCAN-SIZE=3; STEP-SIZE=1.767	GS ACQ SCENARI O BASE1B3		0.7 Secs [==>]	[1]																																																																																	
2	G230L - AC Q/PEAKXD	(1) WD1057+719	COS/NUV, ACQ/PEAKXD, PSA	G230L 2635 A				1 Secs [==>]	[1]																																																																																	
<i>Comments: exposure time taken from ETC 83991, using standard star spectrum of HZ 43 and normalizing to target's V magnitude of 14.68.</i>																																																																																										
3	G230L - AC Q/PEAKD	(1) WD1057+719	COS/NUV, ACQ/PEAKD, PSA	G230L 2635 A	CENTER=FLUX-W T-FLR; NUM-POS=9.0; STEP-SIZE=1.			0.7 Secs [==>]	[1]																																																																																	
<i>Comments: exposure time taken from ETC # 83992, using standard star spectrum of HZ 43 and normalizing to target's V mag. of 14.68</i>																																																																																										
4	G230L - 263 5 A	(1) WD1057+719	COS/NUV, TIME-TAG, PSA	G230L 2635 A	BUFFER-TIME=32 0; FP-POS=3			480 Secs [==>]	[1]																																																																																	
5	G230L - 295 0 A	(1) WD1057+719	COS/NUV, TIME-TAG, PSA	G230L 2950 A	BUFFER-TIME=89 3; FP-POS=3			1340 Secs [==>]	[1]																																																																																	



Proposal 11896 - Visit 9T - NUV Spectroscopic Sensitivity Monitoring

Wed Jan 27 02:08:14 GMT 2010

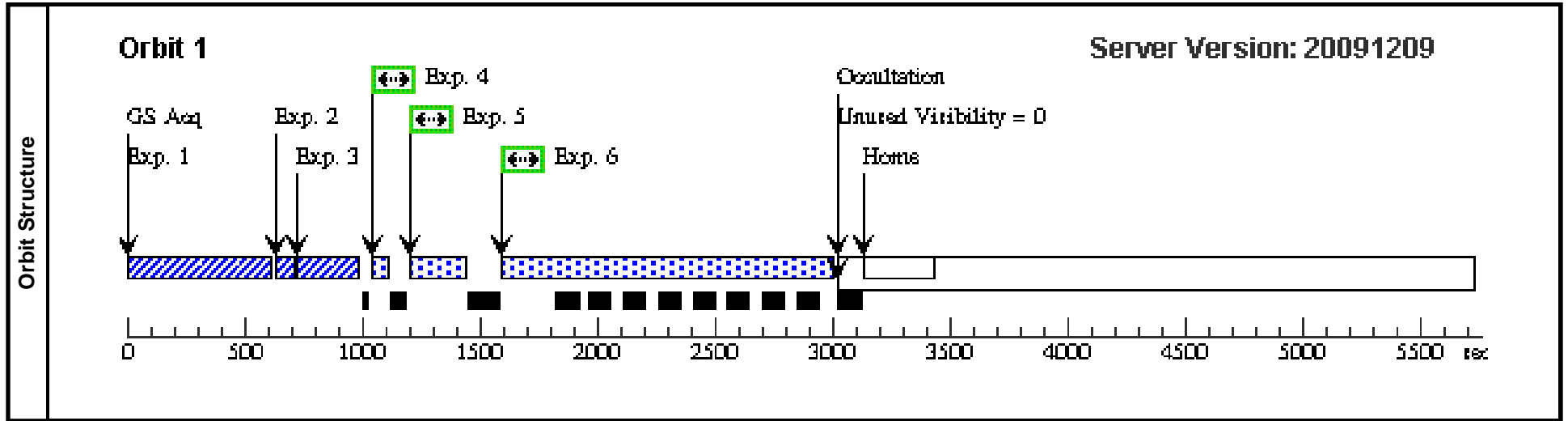
Visit		Proposal 11896, Visit 9T, implementation Diagnostic Status: No Diagnostics Scientific Instruments: COS/NUV Special Requirements: SCHED 100%; AFTER 09 BY 1 H TO 12 H; BETWEEN 29-MAR-2010:00:00:00 AND 04-APR-2010:23:59:59								
Fixed Targets	#	Name	Target Coordinates	Targ. Coord. Corrections	Fluxes	Miscellaneous				
	(4)	GD153	RA: 12 57 2.3300 (194.2597083d) Dec: +22 01 52.52 (22.03126d) Equinox: J2000	Proper Motion RA: 0.0006s/yr Proper Motion Dec: -0.204"/yr Epoch of Position: 2000	V=13.40	Reference Frame: ICRS				
<i>Comments: coords, PM from LSPM-NORTH</i>										
Exposures	#	Label	Target	Config,Mode,Aperture	Spectral Els.	Opt. Params.	Special Reqs.	Groups	Exp. Time/[Actual Dur.]	Orbit
	1	G230L - AC Q/SEARCH	(4) GD153	COS/NUV, ACQ/SEARCH, PSA	G230L 2635 A	SCAN-SIZE=3; STEP-SIZE=1.767	GS ACQ SCENARI O BASE1B3		0.2 Secs [==>]	[1]
	<i>Comments: COS106021 for target acquisition exposure time</i>									
	2	G230L - AC Q/PEAKXD	(4) GD153	COS/NUV, ACQ/PEAKXD, PSA	G230L 2635 A				0.3 Secs [==>]	[1]
	<i>Comments: exposure time taken from ETC COS106021</i>									
	3	G230L - AC Q/PEAKD	(4) GD153	COS/NUV, ACQ/PEAKD, PSA	G230L 2635 A	CENTER=FLUX-W T-FLR; NUM-POS=9.0; STEP-SIZE=1.			0.2 Secs [==>]	[1]
	<i>Comments: exposure time taken from ETC COS106023</i>									
4	G230L - 263 5 A	(4) GD153	COS/NUV, TIME-TAG, PSA	G230L 2635 A	BUFFER-TIME=11 0; FP-POS=3			54 Secs [==>]	[1]	
<i>Comments: exposure time taken from COS106017</i>										
5	G230L - 295 0 A	(4) GD153	COS/NUV, TIME-TAG, PSA	G230L 2950 A	BUFFER-TIME=11 2; FP-POS=3			149 Secs [==>]	[1]	
<i>Comments: exposure time taken from COS106019</i>										
6	G230L - 336 0 A	(4) GD153	COS/NUV, TIME-TAG, PSA	G230L 3360 A	BUFFER-TIME=14 7; FP-POS=3			1318 Secs [==>]	[1]	
<i>Comments: COS106020</i>										



Proposal 11896 - Visit 10 - NUV Spectroscopic Sensitivity Monitoring

Wed Jan 27 02:08:15 GMT 2010

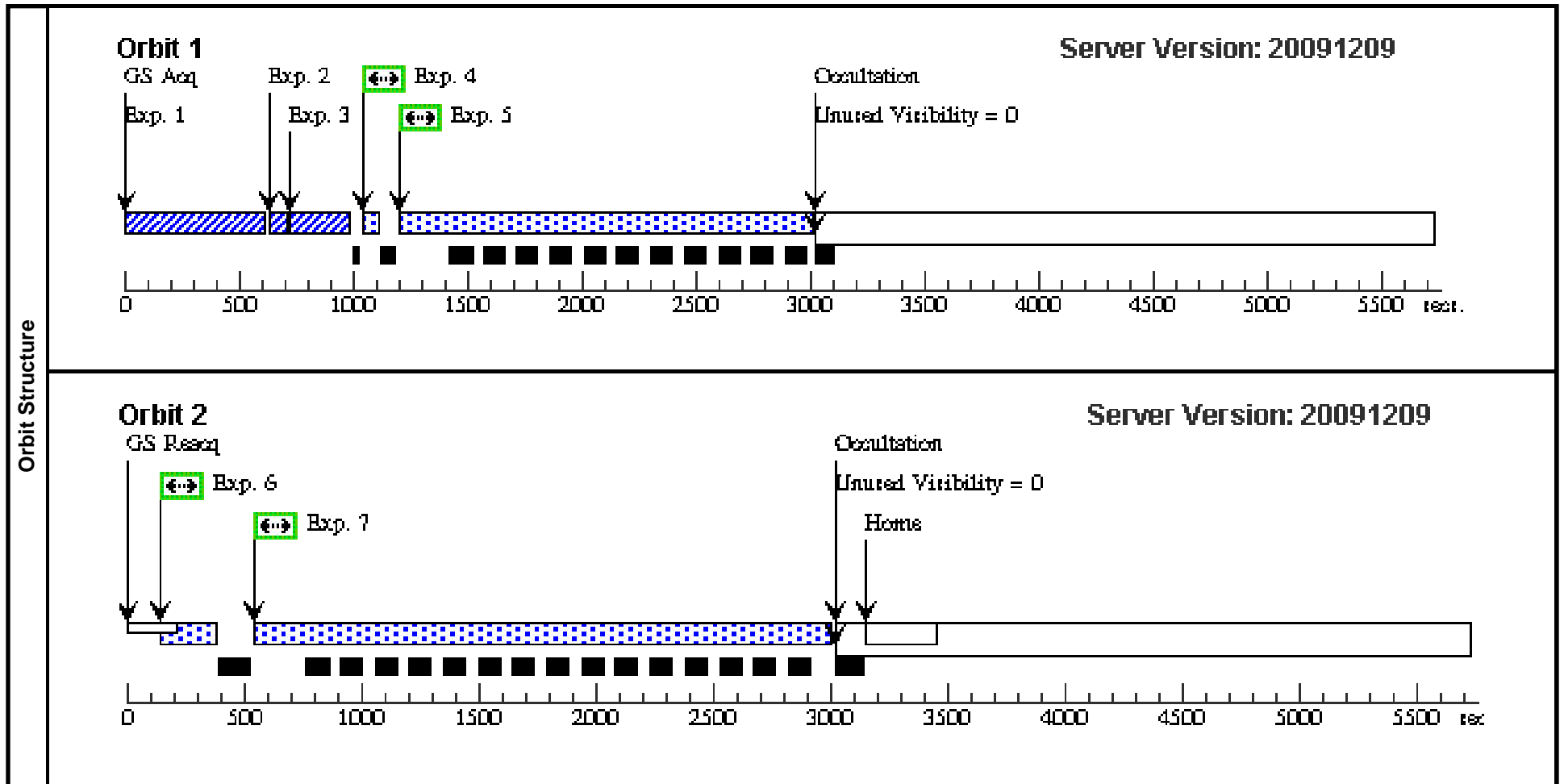
Visit	Proposal 11896, Visit 10, implementation Diagnostic Status: No Diagnostics Scientific Instruments: COS/NUV Special Requirements: SCHED 100%; BETWEEN 26-APR-2010:00:00:00 AND 02-MAY-2010:23:59:59									
	Fixed Targets	#	Name	Target Coordinates	Targ. Coord. Corrections	Fluxes	Miscellaneous			
	(4)	GD153	RA: 12 57 2.3300 (194.2597083d) Dec: +22 01 52.52 (22.03126d) Equinox: J2000	Proper Motion RA: 0.0006s/yr Proper Motion Dec: -0.204"/yr Epoch of Position: 2000	V=13.40	Reference Frame: ICRS				
	<i>Comments: coords, PM from LSPM-NORTH</i>									
Exposures	#	Label	Target	Config,Mode,Aperture	Spectral Els.	Opt. Params.	Special Reqs.	Groups	Exp. Time/[Actual Dur.]	Orbit
	1	G230L - AC Q/SEARCH	(4) GD153	COS/NUV, ACQ/SEARCH, PSA	G230L 2635 A	SCAN-SIZE=3; STEP-SIZE=1.767	GS ACQ SCENARI O BASE1B3		0.2 Secs [==>]	[1]
	2	G230L - AC Q/PEAKXD	(4) GD153	COS/NUV, ACQ/PEAKXD, PSA	G230L 2635 A				0.3 Secs [==>]	[1]
	3	G230L - AC Q/PEAKD	(4) GD153	COS/NUV, ACQ/PEAKD, PSA	G230L 2635 A	CENTER=FLUX-W T-FLR; NUM-POS=9.0; STEP-SIZE=1.			0.2 Secs [==>]	[1]
	4	G230L - 263 5 A	(4) GD153	COS/NUV, TIME-TAG, PSA	G230L 2635 A	BUFFER-TIME=11 0; FP-POS=3			54 Secs [==>]	[1]
	5	G230L - 295 0 A	(4) GD153	COS/NUV, TIME-TAG, PSA	G230L 2950 A	BUFFER-TIME=11 2; FP-POS=3			149 Secs [==>]	[1]
	6	G230L - 336 0 A	(4) GD153	COS/NUV, TIME-TAG, PSA	G230L 3360 A	BUFFER-TIME=14 7; FP-POS=3			1318 Secs [==>]	[1]
	<i>Comments: COS106020</i>									



Proposal 11896 - Visit 11 - NUV Spectroscopic Sensitivity Monitoring

Wed Jan 27 02:08:16 GMT 2010

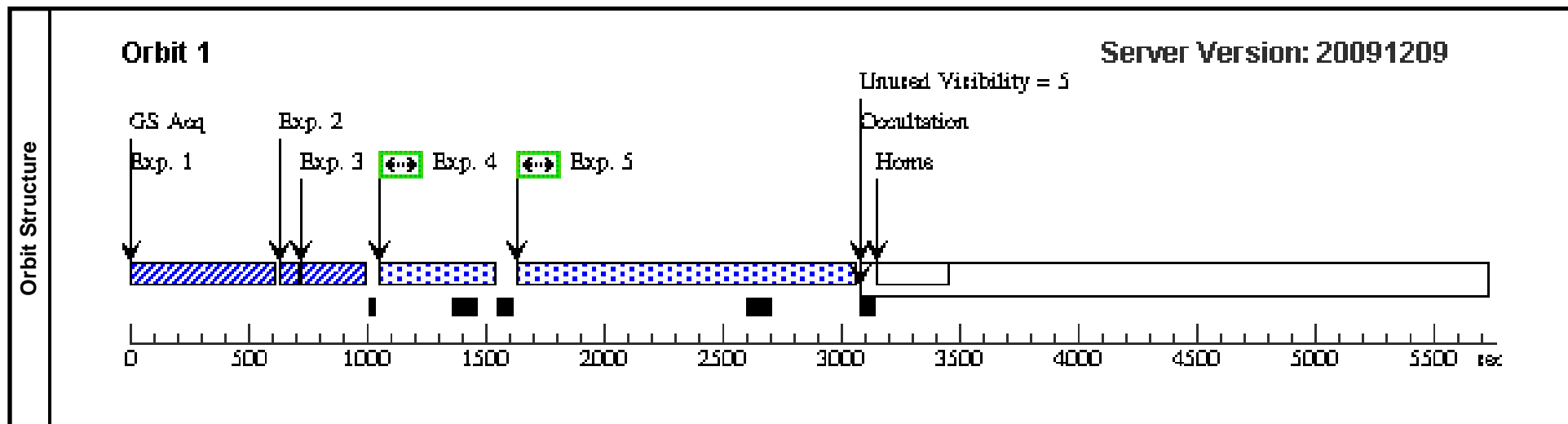
Visit	Proposal 11896, Visit 11, implementation Diagnostic Status: No Diagnostics Scientific Instruments: COS/NUV Special Requirements: SCHED 100%; BETWEEN 31-MAY-2010:00:00:00 AND 06-JUN-2010:23:59:59									
	Fixed Targets	#	Name	Target Coordinates	Targ. Coord. Corrections	Fluxes	Miscellaneous			
	(4)	GD153	RA: 12 57 2.3300 (194.2597083d) Dec: +22 01 52.52 (22.03126d) Equinox: J2000	Proper Motion RA: 0.0006s/yr Proper Motion Dec: -0.204"/yr Epoch of Position: 2000	V=13.40	Reference Frame: ICRS				
	<i>Comments: coords, PM from LSPM-NORTH</i>									
Exposures	#	Label	Target	Config,Mode,Aperture	Spectral Els.	Opt. Params.	Special Reqs.	Groups	Exp. Time/[Actual Dur.]	Orbit
	1	G230L - AC Q/SEARCH	(4) GD153	COS/NUV, ACQ/SEARCH, PSA	G230L 2635 A	SCAN-SIZE=3; STEP-SIZE=1.767	GS ACQ SCENARI O BASE1B3		0.2 Secs [==>]	[1]
	2	G230L - AC Q/PEAKXD	(4) GD153	COS/NUV, ACQ/PEAKXD, PSA	G230L 2635 A				0.3 Secs [==>]	[1]
	3	G230L - AC Q/PEAKD	(4) GD153	COS/NUV, ACQ/PEAKD, PSA	G230L 2635 A	CENTER=FLUX-W T-FLR; NUM-POS=9.0; STEP-SIZE=1.			0.2 Secs [==>]	[1]
	4	G230L - 263 5 A	(4) GD153	COS/NUV, TIME-TAG, PSA	G230L 2635 A	BUFFER-TIME=11 0; FP-POS=3			54 Secs [==>]	[1]
	5	G230L - 336 0 A	(4) GD153	COS/NUV, TIME-TAG, PSA	G230L 3360 A	BUFFER-TIME=14 7; FP-POS=3			1716 Secs [==>]	[1]
	6	G230L - 295 0 A	(4) GD153	COS/NUV, TIME-TAG, PSA	G230L 2950 A	BUFFER-TIME=11 2; FP-POS=3			149 Secs [==>]	[2]
	7	G230L - 336 0 A	(4) GD153	COS/NUV, TIME-TAG, PSA	G230L 3360 A	BUFFER-TIME=14 7; FP-POS=3			2374 Secs [==>]	[2]



Proposal 11896 - Visit 13 - NUV Spectroscopic Sensitivity Monitoring

Wed Jan 27 02:08:16 GMT 2010

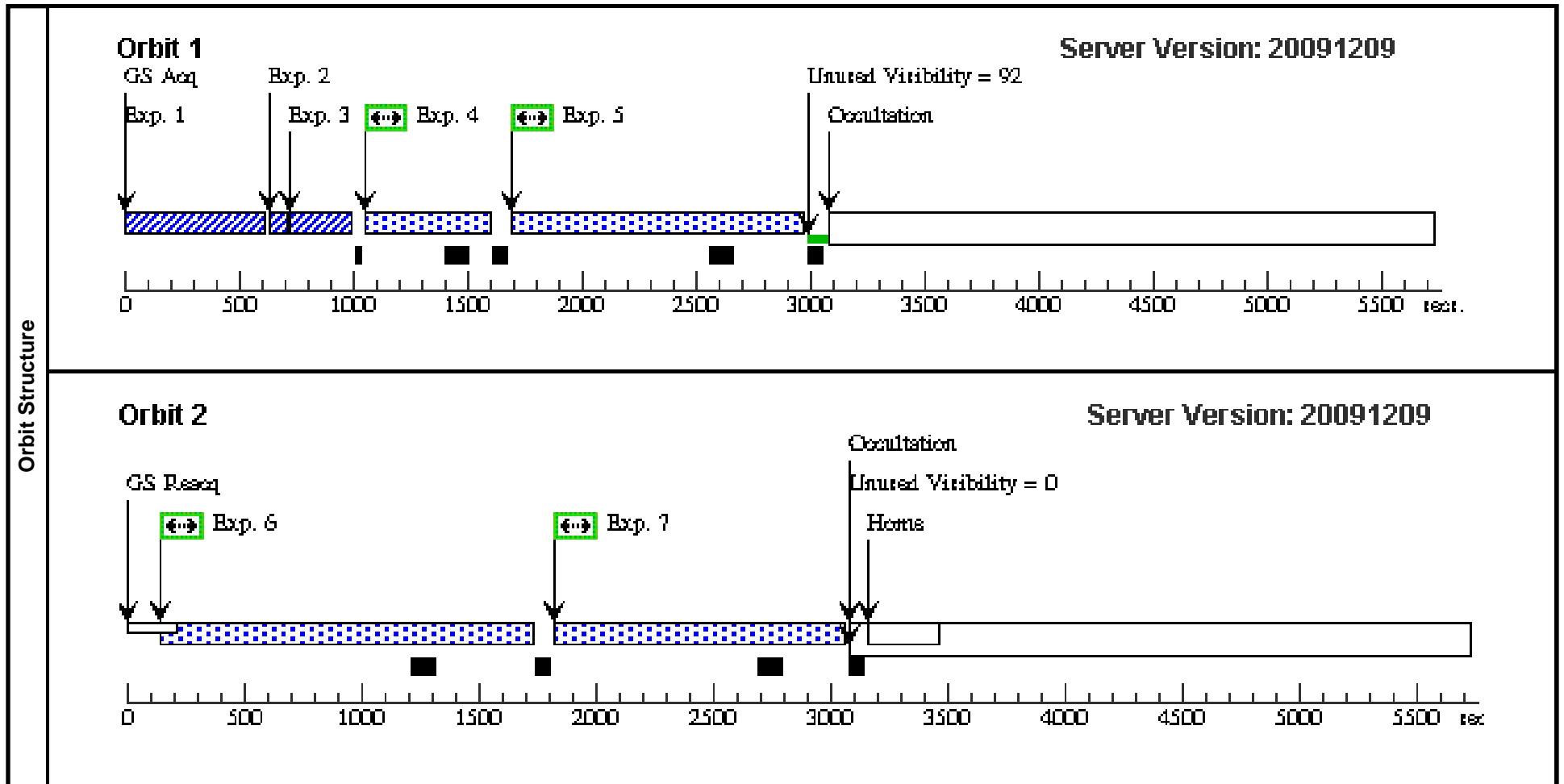
Visit	Proposal 11896, Visit 13, scheduling Diagnostic Status: No Diagnostics Scientific Instruments: COS/NUV Special Requirements: SCHED 100%; BETWEEN 02-AUG-2010:00:00:00 AND 08-AUG-2010:23:59:59																																																																																									
	Fixed Targets	<table border="1"> <thead> <tr> <th>#</th> <th>Name</th> <th>Target Coordinates</th> <th>Targ. Coord. Corrections</th> <th>Fluxes</th> <th>Miscellaneous</th> </tr> </thead> <tbody> <tr> <td>(1)</td> <td>WD1057+719</td> <td>RA: 11 00 34.2200 (165.1425833d) Dec: +71 38 2.99 (71.63416d) Equinox: J2000</td> <td>Proper Motion RA: -0.00973s/yr Proper Motion Dec: -0.02"/yr Epoch of Position: 2000</td> <td>V=14.68</td> <td>Reference Frame: ICRS</td> </tr> <tr> <td colspan="6"> <i>Comments: HST FASTEX standard PM, coords from USNOB</i> GSC2 coords are 11:00:34.25, 71:38:02.97, 1997.19 epoch </td> </tr> </tbody> </table>										#	Name	Target Coordinates	Targ. Coord. Corrections	Fluxes	Miscellaneous	(1)	WD1057+719	RA: 11 00 34.2200 (165.1425833d) Dec: +71 38 2.99 (71.63416d) Equinox: J2000	Proper Motion RA: -0.00973s/yr Proper Motion Dec: -0.02"/yr Epoch of Position: 2000	V=14.68	Reference Frame: ICRS	<i>Comments: HST FASTEX standard PM, coords from USNOB</i> GSC2 coords are 11:00:34.25, 71:38:02.97, 1997.19 epoch																																																																		
#	Name	Target Coordinates	Targ. Coord. Corrections	Fluxes	Miscellaneous																																																																																					
(1)	WD1057+719	RA: 11 00 34.2200 (165.1425833d) Dec: +71 38 2.99 (71.63416d) Equinox: J2000	Proper Motion RA: -0.00973s/yr Proper Motion Dec: -0.02"/yr Epoch of Position: 2000	V=14.68	Reference Frame: ICRS																																																																																					
<i>Comments: HST FASTEX standard PM, coords from USNOB</i> GSC2 coords are 11:00:34.25, 71:38:02.97, 1997.19 epoch																																																																																										
Exposures	<table border="1"> <thead> <tr> <th>#</th> <th>Label</th> <th>Target</th> <th>Config,Mode,Aperture</th> <th>Spectral Els.</th> <th>Opt. Params.</th> <th>Special Reqs.</th> <th>Groups</th> <th>Exp. Time/[Actual Dur.]</th> <th>Orbit</th> </tr> </thead> <tbody> <tr> <td>1</td> <td>G230L - AC Q/SEARCH</td> <td>(1) WD1057+719</td> <td>COS/NUV, ACQ/SEARCH, PSA</td> <td>G230L 2635 A</td> <td>SCAN-SIZE=3; STEP-SIZE=1.767</td> <td></td> <td></td> <td>0.7 Secs [==>]</td> <td>[1]</td> </tr> <tr> <td>2</td> <td>G230L - AC Q/PEAKXD</td> <td>(1) WD1057+719</td> <td>COS/NUV, ACQ/PEAKXD, PSA</td> <td>G230L 2635 A</td> <td></td> <td></td> <td></td> <td>1 Secs [==>]</td> <td>[1]</td> </tr> <tr> <td colspan="10"> <i>Comments: exposure time taken from ETC 83991, using standard star spectrum of HZ 43 and normalizing to target's V magnitude of 14.68.</i> </td> </tr> <tr> <td>3</td> <td>G230L - AC Q/PEAKD</td> <td>(1) WD1057+719</td> <td>COS/NUV, ACQ/PEAKD, PSA</td> <td>G230L 2635 A</td> <td>CENTER=FLUX-W T-FLR; NUM-POS=9.0; STEP-SIZE=1.</td> <td></td> <td></td> <td>0.7 Secs [==>]</td> <td>[1]</td> </tr> <tr> <td colspan="10"> <i>Comments: exposure time taken from ETC # 83992, using standard star spectrum of HZ 43 and normalizing to target's V mag. of 14.68</i> </td> </tr> <tr> <td>4</td> <td>G230L - 263 5 A</td> <td>(1) WD1057+719</td> <td>COS/NUV, TIME-TAG, PSA</td> <td>G230L 2635 A</td> <td>BUFFER-TIME=32 0; FP-POS=3</td> <td></td> <td></td> <td>480 Secs [==>]</td> <td>[1]</td> </tr> <tr> <td>5</td> <td>G230L - 295 0 A</td> <td>(1) WD1057+719</td> <td>COS/NUV, TIME-TAG, PSA</td> <td>G230L 2950 A</td> <td>BUFFER-TIME=89 3; FP-POS=3</td> <td></td> <td></td> <td>1340 Secs [==>]</td> <td>[1]</td> </tr> </tbody> </table>										#	Label	Target	Config,Mode,Aperture	Spectral Els.	Opt. Params.	Special Reqs.	Groups	Exp. Time/[Actual Dur.]	Orbit	1	G230L - AC Q/SEARCH	(1) WD1057+719	COS/NUV, ACQ/SEARCH, PSA	G230L 2635 A	SCAN-SIZE=3; STEP-SIZE=1.767			0.7 Secs [==>]	[1]	2	G230L - AC Q/PEAKXD	(1) WD1057+719	COS/NUV, ACQ/PEAKXD, PSA	G230L 2635 A				1 Secs [==>]	[1]	<i>Comments: exposure time taken from ETC 83991, using standard star spectrum of HZ 43 and normalizing to target's V magnitude of 14.68.</i>										3	G230L - AC Q/PEAKD	(1) WD1057+719	COS/NUV, ACQ/PEAKD, PSA	G230L 2635 A	CENTER=FLUX-W T-FLR; NUM-POS=9.0; STEP-SIZE=1.			0.7 Secs [==>]	[1]	<i>Comments: exposure time taken from ETC # 83992, using standard star spectrum of HZ 43 and normalizing to target's V mag. of 14.68</i>										4	G230L - 263 5 A	(1) WD1057+719	COS/NUV, TIME-TAG, PSA	G230L 2635 A	BUFFER-TIME=32 0; FP-POS=3			480 Secs [==>]	[1]	5	G230L - 295 0 A	(1) WD1057+719	COS/NUV, TIME-TAG, PSA	G230L 2950 A	BUFFER-TIME=89 3; FP-POS=3			1340 Secs [==>]	[1]
#	Label	Target	Config,Mode,Aperture	Spectral Els.	Opt. Params.	Special Reqs.	Groups	Exp. Time/[Actual Dur.]	Orbit																																																																																	
1	G230L - AC Q/SEARCH	(1) WD1057+719	COS/NUV, ACQ/SEARCH, PSA	G230L 2635 A	SCAN-SIZE=3; STEP-SIZE=1.767			0.7 Secs [==>]	[1]																																																																																	
2	G230L - AC Q/PEAKXD	(1) WD1057+719	COS/NUV, ACQ/PEAKXD, PSA	G230L 2635 A				1 Secs [==>]	[1]																																																																																	
<i>Comments: exposure time taken from ETC 83991, using standard star spectrum of HZ 43 and normalizing to target's V magnitude of 14.68.</i>																																																																																										
3	G230L - AC Q/PEAKD	(1) WD1057+719	COS/NUV, ACQ/PEAKD, PSA	G230L 2635 A	CENTER=FLUX-W T-FLR; NUM-POS=9.0; STEP-SIZE=1.			0.7 Secs [==>]	[1]																																																																																	
<i>Comments: exposure time taken from ETC # 83992, using standard star spectrum of HZ 43 and normalizing to target's V mag. of 14.68</i>																																																																																										
4	G230L - 263 5 A	(1) WD1057+719	COS/NUV, TIME-TAG, PSA	G230L 2635 A	BUFFER-TIME=32 0; FP-POS=3			480 Secs [==>]	[1]																																																																																	
5	G230L - 295 0 A	(1) WD1057+719	COS/NUV, TIME-TAG, PSA	G230L 2950 A	BUFFER-TIME=89 3; FP-POS=3			1340 Secs [==>]	[1]																																																																																	



Proposal 11896 - Visit 14 - NUV Spectroscopic Sensitivity Monitoring

Wed Jan 27 02:08:16 GMT 2010

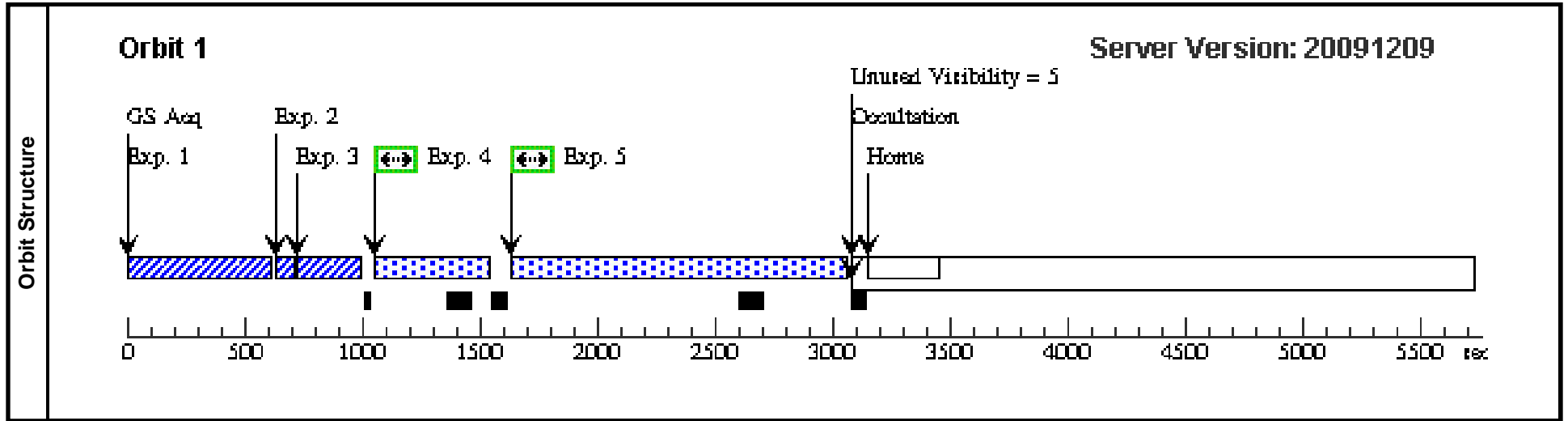
Visit		Proposal 11896, Visit 14, implementation Diagnostic Status: No Diagnostics Scientific Instruments: COS/NUV Special Requirements: SCHED 100%; BETWEEN 30-AUG-2010:00:00:00 AND 05-SEP-2010:23:59:59								
Fixed Targets	#	Name	Target Coordinates	Targ. Coord. Corrections	Fluxes	Miscellaneous				
		(1)	WD1057+719	RA: 11 00 34.2200 (165.1425833d) Dec: +71 38 2.99 (71.63416d) Equinox: J2000	Proper Motion RA: -0.00973s/yr Proper Motion Dec: -0.02"/yr Epoch of Position: 2000	V=14.68	Reference Frame: ICRS			
	<i>Comments: HST FASTEX standard PM, coords from USNOB</i> GSC2 coords are 11:00:34.25, 71:38:02.97, 1997.19 epoch									
Exposures	#	Label	Target	Config,Mode,Aperture	Spectral Els.	Opt. Params.	Special Reqs.	Groups	Exp. Time/[Actual Dur.]	Orbit
	1	G230L - AC Q/SEARCH	(1) WD1057+719	COS/NUV, ACQ/SEARCH, PSA	G230L 2635 A	SCAN-SIZE=3; STEP-SIZE=1.767			0.7 Secs [==>]	[1]
	2	G230L - AC Q/PEAKXD	(1) WD1057+719	COS/NUV, ACQ/PEAKXD, PSA	G230L 2635 A				1 Secs [==>]	[1]
		<i>Comments: exposure time taken from ETC 83991, using standard star spectrum of HZ 43 and normalizing to target's V magnitude of 14.68.</i>								
	3	G230L - AC Q/PEAKD	(1) WD1057+719	COS/NUV, ACQ/PEAKD, PSA	G230L 2635 A	CENTER=FLUX-W T-FLR; NUM-POS=9.0; STEP-SIZE=1.			0.7 Secs [==>]	[1]
		<i>Comments: exposure time taken from ETC # 83992, using standard star spectrum of HZ 43 and normalizing to target's V mag. of 14.68</i>								
	4	G230L - 263 5 A	(1) WD1057+719	COS/NUV, TIME-TAG, PSA	G230L 2635 A	BUFFER-TIME=36 0; FP-POS=3			540 Secs [==>]	[1]
5	G230L - 336 0 A	(1) WD1057+719	COS/NUV, TIME-TAG, PSA	G230L 3360 A	BUFFER-TIME=79 5; FP-POS=3			1193 Secs [==>]	[1]	
6	G230L - 295 0 A	(1) WD1057+719	COS/NUV, TIME-TAG, PSA	G230L 2950 A	BUFFER-TIME=10 00; FP-POS=3			1500 Secs [==>]	[2]	
7	G230L - 336 0 A	(1) WD1057+719	COS/NUV, TIME-TAG, PSA	G230L 3360 A	BUFFER-TIME=79 5; FP-POS=3			1155 Secs [==>]	[2]	



Proposal 11896 - Visit 15 - NUV Spectroscopic Sensitivity Monitoring

Wed Jan 27 02:08:17 GMT 2010

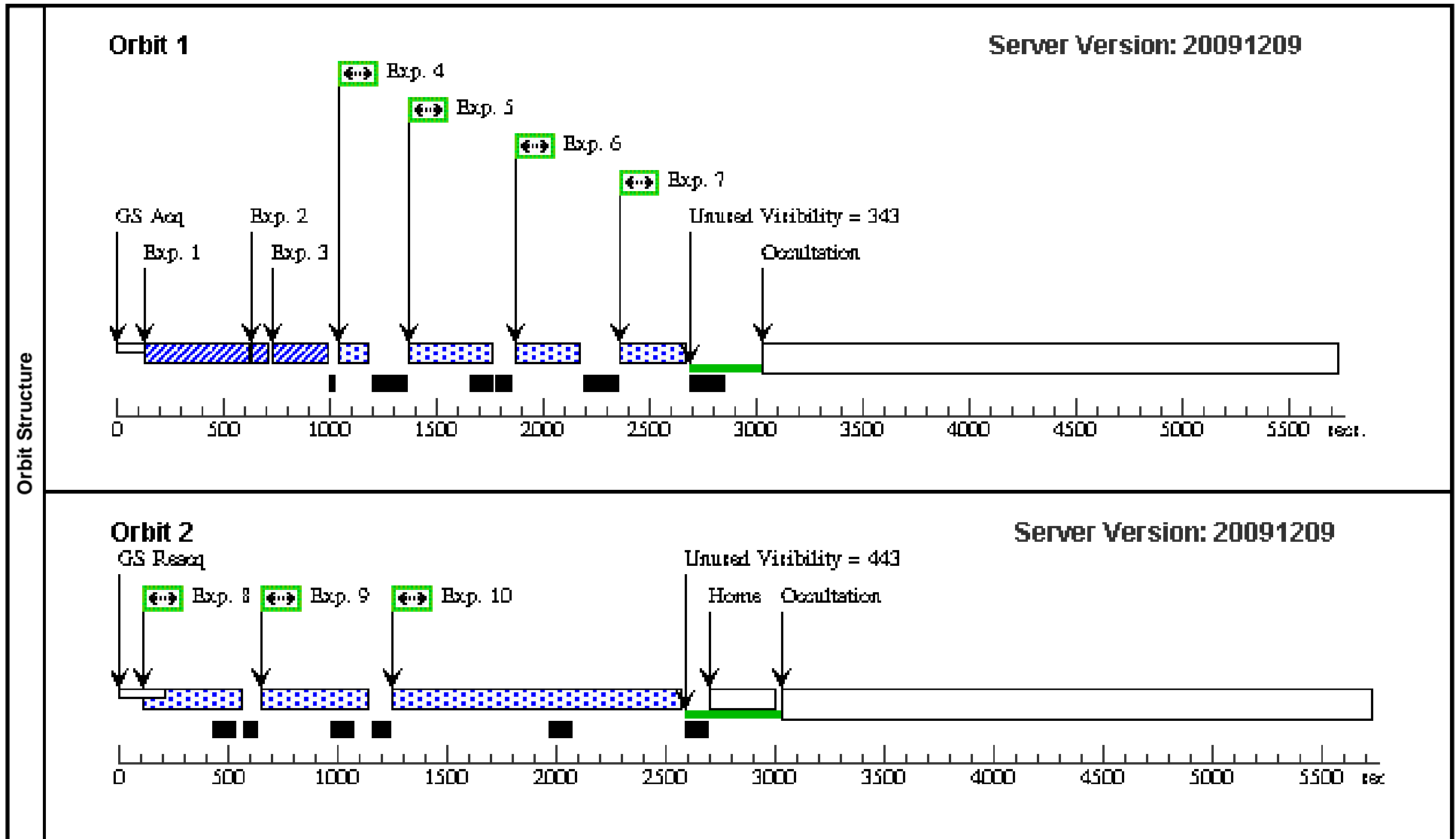
Visit		Proposal 11896, Visit 15, scheduling Diagnostic Status: No Diagnostics Scientific Instruments: COS/NUV Special Requirements: SCHED 100%; BETWEEN 27-SEP-2010:00:00:00 AND 03-OCT-2010:23:59:59																																																																																
Fixed Targets		<table border="1"> <thead> <tr> <th>#</th> <th>Name</th> <th>Target Coordinates</th> <th>Targ. Coord. Corrections</th> <th>Fluxes</th> <th>Miscellaneous</th> </tr> </thead> <tbody> <tr> <td>(1)</td> <td>WD1057+719</td> <td>RA: 11 00 34.2200 (165.1425833d) Dec: +71 38 2.99 (71.63416d) Equinox: J2000</td> <td>Proper Motion RA: -0.00973s/yr Proper Motion Dec: -0.02"/yr Epoch of Position: 2000</td> <td>V=14.68</td> <td>Reference Frame: ICRS</td> </tr> </tbody> </table> <p><i>Comments: HST FASTEX standard PM, coords from USNOB</i></p> <p><i>GSC2 coords are 11:00:34.25, 71:38:02.97, 1997.19 epoch</i></p>	#	Name	Target Coordinates	Targ. Coord. Corrections	Fluxes	Miscellaneous	(1)	WD1057+719	RA: 11 00 34.2200 (165.1425833d) Dec: +71 38 2.99 (71.63416d) Equinox: J2000	Proper Motion RA: -0.00973s/yr Proper Motion Dec: -0.02"/yr Epoch of Position: 2000	V=14.68	Reference Frame: ICRS																																																																				
#	Name	Target Coordinates	Targ. Coord. Corrections	Fluxes	Miscellaneous																																																																													
(1)	WD1057+719	RA: 11 00 34.2200 (165.1425833d) Dec: +71 38 2.99 (71.63416d) Equinox: J2000	Proper Motion RA: -0.00973s/yr Proper Motion Dec: -0.02"/yr Epoch of Position: 2000	V=14.68	Reference Frame: ICRS																																																																													
Exposures		<table border="1"> <thead> <tr> <th>#</th> <th>Label</th> <th>Target</th> <th>Config,Mode,Aperture</th> <th>Spectral Els.</th> <th>Opt. Params.</th> <th>Special Reqs.</th> <th>Groups</th> <th>Exp. Time/[Actual Dur.]</th> <th>Orbit</th> </tr> </thead> <tbody> <tr> <td>1</td> <td>G230L - AC Q/SEARCH</td> <td>(1) WD1057+719</td> <td>COS/NUV, ACQ/SEARCH, PSA</td> <td>G230L 2635 A</td> <td>SCAN-SIZE=3; STEP-SIZE=1.767</td> <td></td> <td></td> <td>0.7 Secs [==>]</td> <td>[1]</td> </tr> <tr> <td>2</td> <td>G230L - AC Q/PEAKXD</td> <td>(1) WD1057+719</td> <td>COS/NUV, ACQ/PEAKXD, PSA</td> <td>G230L 2635 A</td> <td></td> <td></td> <td></td> <td>1 Secs [==>]</td> <td>[1]</td> </tr> <tr> <td colspan="10"><i>Comments: exposure time taken from ETC 83991, using standard star spectrum of HZ 43 and normalizing to target's V magnitude of 14.68.</i></td> </tr> <tr> <td>3</td> <td>G230L - AC Q/PEAKD</td> <td>(1) WD1057+719</td> <td>COS/NUV, ACQ/PEAKD, PSA</td> <td>G230L 2635 A</td> <td>CENTER=FLUX-W T-FLR; NUM-POS=9.0; STEP-SIZE=1.</td> <td></td> <td></td> <td>0.7 Secs [==>]</td> <td>[1]</td> </tr> <tr> <td colspan="10"><i>Comments: exposure time taken from ETC # 83992, using standard star spectrum of HZ 43 and normalizing to target's V mag. of 14.68</i></td> </tr> <tr> <td>4</td> <td>G230L - 263 5 A</td> <td>(1) WD1057+719</td> <td>COS/NUV, TIME-TAG, PSA</td> <td>G230L 2635 A</td> <td>BUFFER-TIME=32 0; FP-POS=3</td> <td></td> <td></td> <td>480 Secs [==>]</td> <td>[1]</td> </tr> <tr> <td>5</td> <td>G230L - 295 0 A</td> <td>(1) WD1057+719</td> <td>COS/NUV, TIME-TAG, PSA</td> <td>G230L 2950 A</td> <td>BUFFER-TIME=89 3; FP-POS=3</td> <td></td> <td></td> <td>1340 Secs [==>]</td> <td>[1]</td> </tr> </tbody> </table>	#	Label	Target	Config,Mode,Aperture	Spectral Els.	Opt. Params.	Special Reqs.	Groups	Exp. Time/[Actual Dur.]	Orbit	1	G230L - AC Q/SEARCH	(1) WD1057+719	COS/NUV, ACQ/SEARCH, PSA	G230L 2635 A	SCAN-SIZE=3; STEP-SIZE=1.767			0.7 Secs [==>]	[1]	2	G230L - AC Q/PEAKXD	(1) WD1057+719	COS/NUV, ACQ/PEAKXD, PSA	G230L 2635 A				1 Secs [==>]	[1]	<i>Comments: exposure time taken from ETC 83991, using standard star spectrum of HZ 43 and normalizing to target's V magnitude of 14.68.</i>										3	G230L - AC Q/PEAKD	(1) WD1057+719	COS/NUV, ACQ/PEAKD, PSA	G230L 2635 A	CENTER=FLUX-W T-FLR; NUM-POS=9.0; STEP-SIZE=1.			0.7 Secs [==>]	[1]	<i>Comments: exposure time taken from ETC # 83992, using standard star spectrum of HZ 43 and normalizing to target's V mag. of 14.68</i>										4	G230L - 263 5 A	(1) WD1057+719	COS/NUV, TIME-TAG, PSA	G230L 2635 A	BUFFER-TIME=32 0; FP-POS=3			480 Secs [==>]	[1]	5	G230L - 295 0 A	(1) WD1057+719	COS/NUV, TIME-TAG, PSA	G230L 2950 A	BUFFER-TIME=89 3; FP-POS=3			1340 Secs [==>]	[1]
#	Label	Target	Config,Mode,Aperture	Spectral Els.	Opt. Params.	Special Reqs.	Groups	Exp. Time/[Actual Dur.]	Orbit																																																																									
1	G230L - AC Q/SEARCH	(1) WD1057+719	COS/NUV, ACQ/SEARCH, PSA	G230L 2635 A	SCAN-SIZE=3; STEP-SIZE=1.767			0.7 Secs [==>]	[1]																																																																									
2	G230L - AC Q/PEAKXD	(1) WD1057+719	COS/NUV, ACQ/PEAKXD, PSA	G230L 2635 A				1 Secs [==>]	[1]																																																																									
<i>Comments: exposure time taken from ETC 83991, using standard star spectrum of HZ 43 and normalizing to target's V magnitude of 14.68.</i>																																																																																		
3	G230L - AC Q/PEAKD	(1) WD1057+719	COS/NUV, ACQ/PEAKD, PSA	G230L 2635 A	CENTER=FLUX-W T-FLR; NUM-POS=9.0; STEP-SIZE=1.			0.7 Secs [==>]	[1]																																																																									
<i>Comments: exposure time taken from ETC # 83992, using standard star spectrum of HZ 43 and normalizing to target's V mag. of 14.68</i>																																																																																		
4	G230L - 263 5 A	(1) WD1057+719	COS/NUV, TIME-TAG, PSA	G230L 2635 A	BUFFER-TIME=32 0; FP-POS=3			480 Secs [==>]	[1]																																																																									
5	G230L - 295 0 A	(1) WD1057+719	COS/NUV, TIME-TAG, PSA	G230L 2950 A	BUFFER-TIME=89 3; FP-POS=3			1340 Secs [==>]	[1]																																																																									



Proposal 11896 - Visit A1 - NUV Spectroscopic Sensitivity Monitoring

Wed Jan 27 02:08:17 GMT 2010

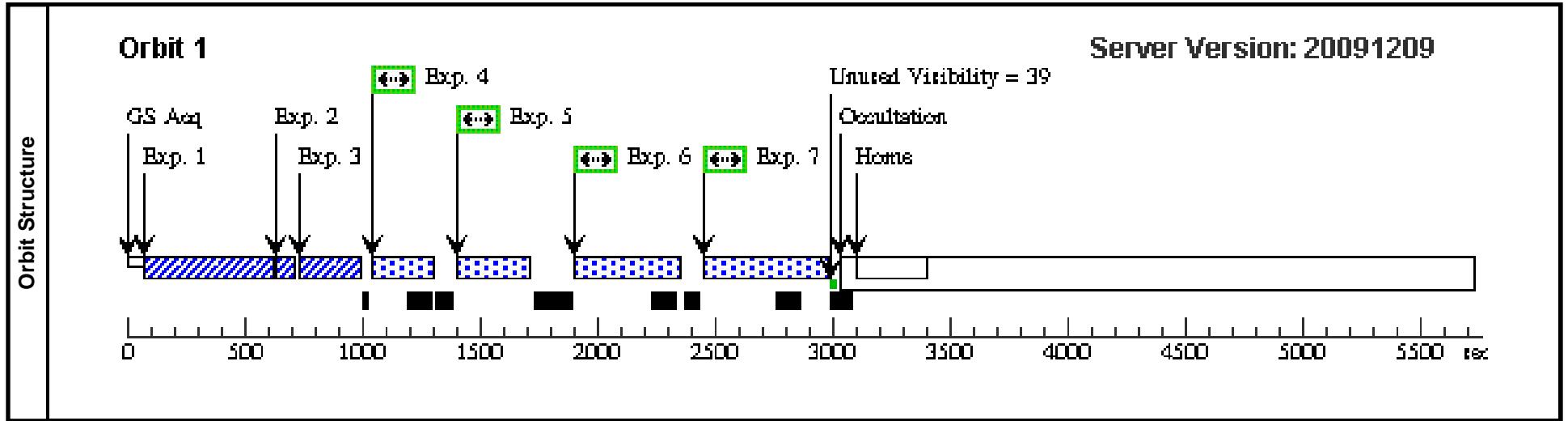
Visit		Proposal 11896, Visit A1, completed Diagnostic Status: No Diagnostics Scientific Instruments: COS/NUV Special Requirements: SCHED 100%; BETWEEN 14-SEP-2009:00:00:00 AND 20-SEP-2009:23:59:59									
Fixed Targets	#	Name	Target Coordinates	Targ. Coord. Corrections	Fluxes	Miscellaneous					
		(2)	G191B2B	RA: 05 05 30.6060 (76.3775250d) Dec: +52 49 52.74 (52.83132d) Equinox: J2000	Proper Motion RA: 0.00071s/yr Proper Motion Dec: -0.0907"/yr Epoch of Position: 1991.25	V=11.79	Reference Frame: ICRS				
<i>Comments: coords, PM from Hipparcos</i>											
Exposures	#	Label	Target	Config,Mode,Aperture	Spectral Els.	Opt. Params.	Special Reqs.	Groups	Exp. Time/[Actual Dur.]	Orbit	
	1	G185M - A CQ/SEARC H	(2) G191B2B	COS/NUV, ACQ/SEARCH, PSA	G185M 1921 A	STEP-SIZE=1.767; SCAN-SIZE=3			1 Secs [==>]	[1]	
	<i>Comments: parameters taken from exposure 1, visit 1 of proposal 11481</i>										
	2	G185M - A CQ/PEAKX D	(2) G191B2B	COS/NUV, ACQ/PEAKXD, PSA	G185M 1921 A				1 Secs [==>]	[1]	
	<i>Comments: parameters taken from exposure 2, visit 1 of proposal 11481</i>										
	3	G185M - A CQ/PEAKD	(2) G191B2B	COS/NUV, ACQ/PEAKD, PSA	G185M 1921 A	STEP-SIZE=0.6; NUM-POS=9.0			1 Secs [==>]	[1]	
	4	G185M - 19 21 A	(2) G191B2B	COS/NUV, TIME-TAG, PSA	G185M 1921 A	BUFFER-TIME=80; FP-POS=3			130 Secs [==>]	[1]	
	5	G225M - 21 86 A	(2) G191B2B	COS/NUV, TIME-TAG, PSA	G225M 2186 A	BUFFER-TIME=15 0.;			241 Secs [==>]	[1]	
	6	G225M - 23 06 A	(2) G191B2B	COS/NUV, TIME-TAG, PSA	G225M 2306 A	BUFFER-TIME=13 4; FP-POS=3			213 Secs [==>]	[1]	
	7	G225M - 24 10 A	(2) G191B2B	COS/NUV, TIME-TAG, PSA	G225M 2410 A	BUFFER-TIME=13 9; FP-POS=3			225 Secs [==>]	[1]	
8	G285M - 26 17 A	(2) G191B2B	COS/NUV, TIME-TAG, PSA	G285M 2617 A	BUFFER-TIME=21 7; FP-POS=3			330 Secs [==>]	[2]		
9	G285M - 27 39 A	(2) G191B2B	COS/NUV, TIME-TAG, PSA	G285M 2739 A	BUFFER-TIME=23 9; FP-POS=3			400 Secs [==>]	[2]		
10	G285M - 30 94 A	(2) G191B2B	COS/NUV, TIME-TAG, PSA	G285M 3094 A	BUFFER-TIME=63 9; FP-POS=3			1230 Secs [==>]	[2]		



Proposal 11896 - Visit AB - NUV Spectroscopic Sensitivity Monitoring

Wed Jan 27 02:08:17 GMT 2010

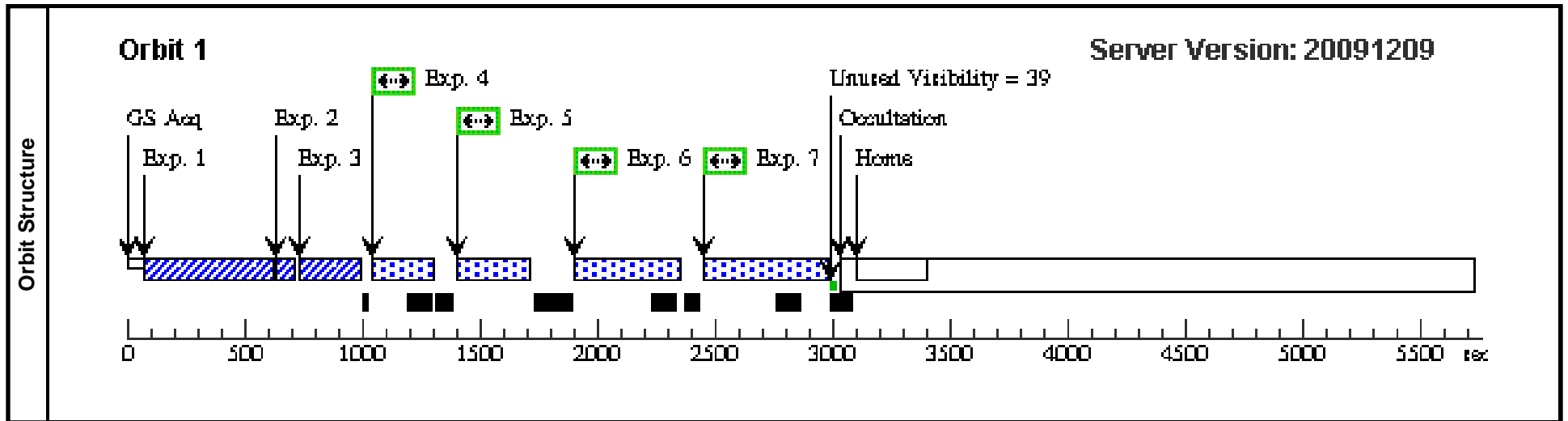
Visit	Proposal 11896, Visit AB, completed Diagnostic Status: No Diagnostics Scientific Instruments: COS/NUV Special Requirements: SCHED 100%; BETWEEN 01-SEP-2009:00:00:00 AND 06-SEP-2009:23:59:59									
	Fixed Targets	#	Name	Target Coordinates	Targ. Coord. Corrections	Fluxes	Miscellaneous			
	(2)	G191B2B	RA: 05 05 30.6060 (76.3775250d) Dec: +52 49 52.74 (52.83132d) Equinox: J2000	Proper Motion RA: 0.00071s/yr Proper Motion Dec: -0.0907"/yr Epoch of Position: 1991.25	V=11.79	Reference Frame: ICRS				
	<i>Comments: coords, PM from Hipparcos</i>									
Exposures	#	Label	Target	Config,Mode,Aperture	Spectral Els.	Opt. Params.	Special Reqs.	Groups	Exp. Time/[Actual Dur.]	Orbit
	1	G225M - A CQ/SEARCAH	(2) G191B2B	COS/NUV, ACQ/SEARCH, PSA	G225M 2186 A	STEP-SIZE=1.767; SCAN-SIZE=3			1 Secs [==>]	[1]
	2	G225M - A CQ/PEAKXD	(2) G191B2B	COS/NUV, ACQ/PEAKXD, PSA	G225M 2186 A				1 Secs [==>]	[1]
	3	G225M - A CQ/PEAKD	(2) G191B2B	COS/NUV, ACQ/PEAKD, PSA	G225M 2186 A	NUM-POS=9.0; STEP-SIZE=0.6			1 Secs [==>]	[1]
	4	G225M - 2186	(2) G191B2B	COS/NUV, TIME-TAG, PSA	G225M 2186 A	BUFFER-TIME=150; FP-POS=3			241 Secs [==>]	[1]
	5	G225M - 2410	(2) G191B2B	COS/NUV, TIME-TAG, PSA	G225M 2410 A	BUFFER-TIME=139; FP-POS=3			225 Secs [==>]	[1]
	6	G285M - 2617	(2) G191B2B	COS/NUV, TIME-TAG, PSA	G285M 2617 A	BUFFER-TIME=217; FP-POS=3			330 Secs [==>]	[1]
	7	G285M - 2739	(2) G191B2B	COS/NUV, TIME-TAG, PSA	G285M 2739 A	BUFFER-TIME=239; FP-POS=3			440 Secs [==>]	[1]



Proposal 11896 - Visit AC - NUV Spectroscopic Sensitivity Monitoring

Wed Jan 27 02:08:18 GMT 2010

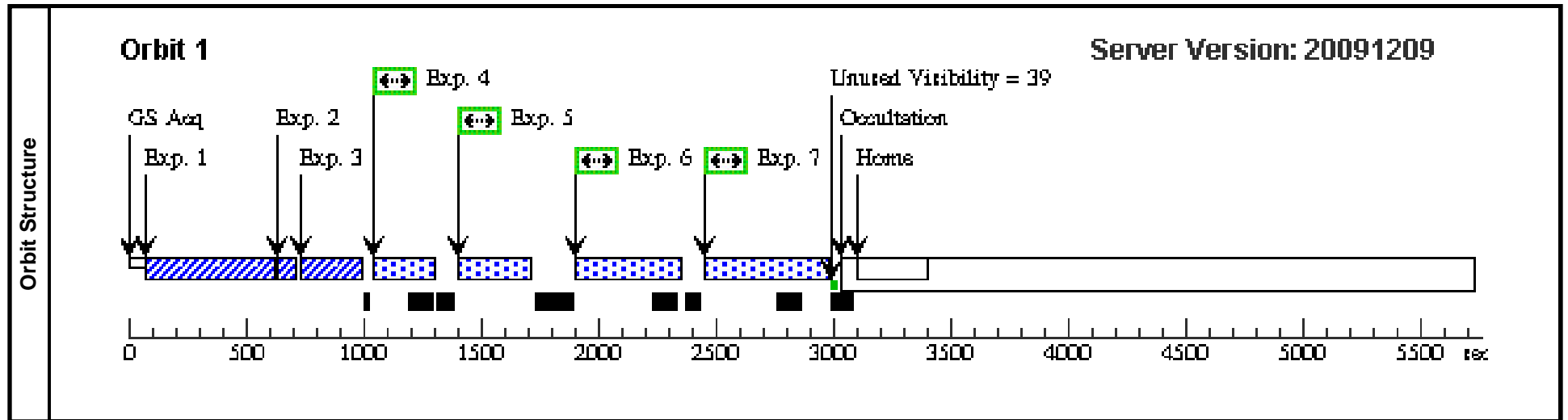
Visit		Proposal 11896, Visit AC, failed Diagnostic Status: No Diagnostics Scientific Instruments: COS/NUV Special Requirements: SCHED 100%; BETWEEN 28-SEP-2009:00:00:00 AND 04-OCT-2009:23:59:59									
Fixed Targets		#	Name	Target Coordinates	Targ. Coord. Corrections	Fluxes	Miscellaneous				
		(2)	G191B2B	RA: 05 05 30.6060 (76.3775250d) Dec: +52 49 52.74 (52.83132d) Equinox: J2000	Proper Motion RA: 0.00071s/yr Proper Motion Dec: -0.0907"/yr Epoch of Position: 1991.25	V=11.79	Reference Frame: ICRS				
		<i>Comments: coords, PM from Hipparcos</i>									
Exposures		#	Label	Target	Config,Mode,Aperture	Spectral Els.	Opt. Params.	Special Reqs.	Groups	Exp. Time/[Actual Dur.]	Orbit
		1	G225M - A CQ/SEARC H	(2) G191B2B	COS/NUV, ACQ/SEARCH, PSA	G225M 2186 A	STEP-SIZE=1.767; SCAN-SIZE=3			1 Secs [==>]	[1]
		2	G225M - A CQ/PEAKX D	(2) G191B2B	COS/NUV, ACQ/PEAKXD, PSA	G225M 2186 A				1 Secs [==>]	[1]
		3	G225M - A CQ/PEAKD	(2) G191B2B	COS/NUV, ACQ/PEAKD, PSA	G225M 2186 A	NUM-POS=9.0; STEP-SIZE=0.6			1 Secs [==>]	[1]
		4	G225M - 21 86	(2) G191B2B	COS/NUV, TIME-TAG, PSA	G225M 2186 A	BUFFER-TIME=15 0; FP-POS=3			241 Secs [==>]	[1]
		5	G225M - 24 10	(2) G191B2B	COS/NUV, TIME-TAG, PSA	G225M 2410 A	BUFFER-TIME=13 9; FP-POS=3			225 Secs [==>]	[1]
		6	G285M - 26 17	(2) G191B2B	COS/NUV, TIME-TAG, PSA	G285M 2617 A	BUFFER-TIME=21 7; FP-POS=3			330 Secs [==>]	[1]
		7	G285M - 27 39	(2) G191B2B	COS/NUV, TIME-TAG, PSA	G285M 2739 A	BUFFER-TIME=23 9; FP-POS=3			440 Secs [==>]	[1]



Proposal 11896 - Visit NC - NUV Spectroscopic Sensitivity Monitoring

Wed Jan 27 02:08:18 GMT 2010

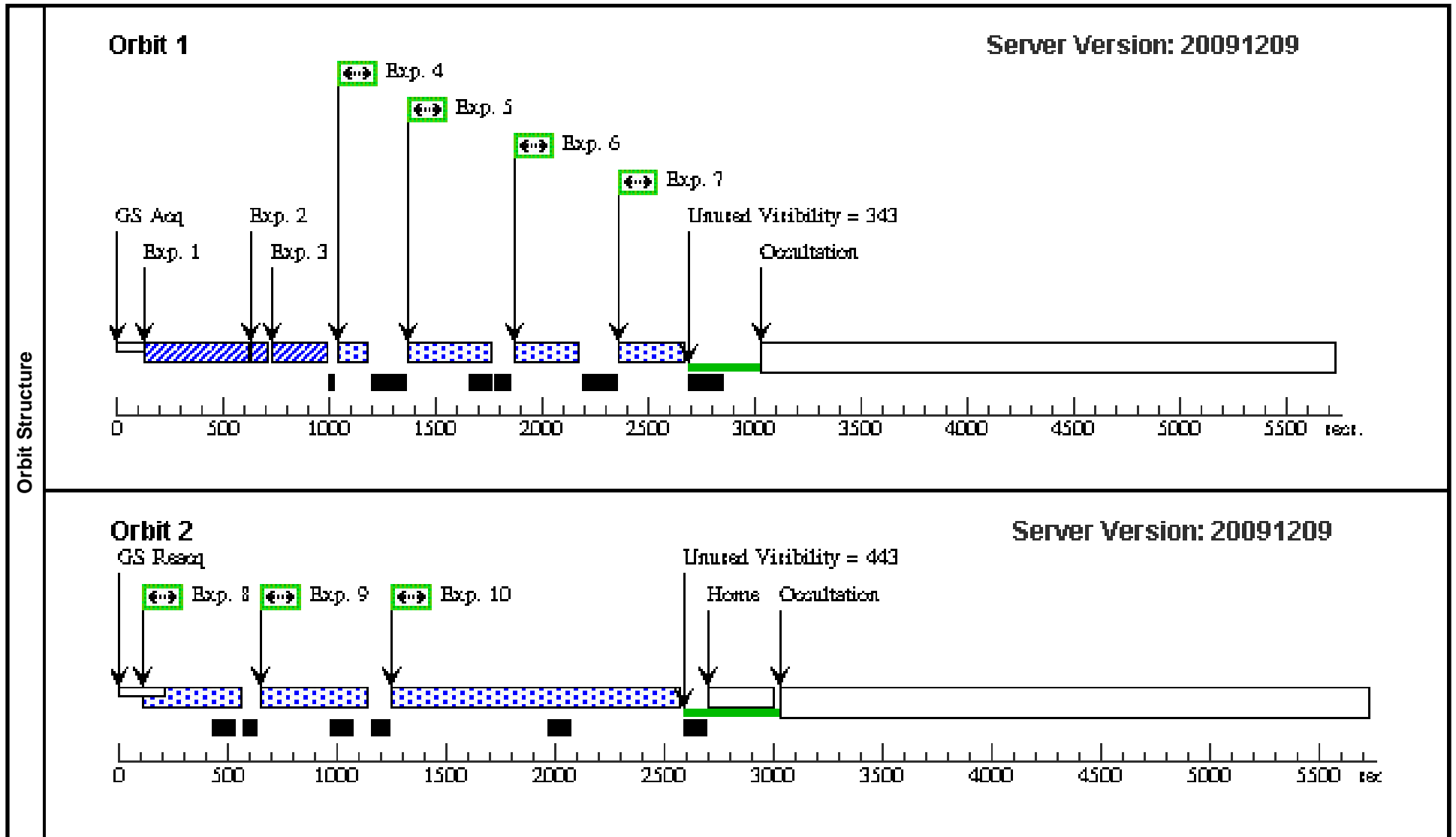
Visit	Proposal 11896, Visit NC, completed Diagnostic Status: No Diagnostics Scientific Instruments: COS/NUV Special Requirements: SCHED 100%; BETWEEN 12-OCT-2009:00:00:00 AND 26-OCT-2009:23:59:59									
	Fixed Targets	#	Name	Target Coordinates	Targ. Coord. Corrections	Fluxes	Miscellaneous			
	(2)	G191B2B	RA: 05 05 30.6060 (76.3775250d) Dec: +52 49 52.74 (52.83132d) Equinox: J2000	Proper Motion RA: 0.00071s/yr Proper Motion Dec: -0.0907"/yr Epoch of Position: 1991.25	V=11.79	Reference Frame: ICRS				
	<i>Comments: coords, PM from Hipparcos</i>									
Exposures	#	Label	Target	Config,Mode,Aperture	Spectral Els.	Opt. Params.	Special Reqs.	Groups	Exp. Time/[Actual Dur.]	Orbit
	1	G225M - A CQ/SEARC H	(2) G191B2B	COS/NUV, ACQ/SEARCH, PSA	G225M 2186 A	STEP-SIZE=1.767; SCAN-SIZE=3			1 Secs [==>]	[1]
	2	G225M - A CQ/PEAKX D	(2) G191B2B	COS/NUV, ACQ/PEAKXD, PSA	G225M 2186 A				1 Secs [==>]	[1]
	3	G225M - A CQ/PEAKD	(2) G191B2B	COS/NUV, ACQ/PEAKD, PSA	G225M 2186 A	NUM-POS=9.0; STEP-SIZE=0.6			1 Secs [==>]	[1]
	4	G225M - 21 86	(2) G191B2B	COS/NUV, TIME-TAG, PSA	G225M 2186 A	BUFFER-TIME=15 0; FP-POS=3			241 Secs [==>]	[1]
	5	G225M - 24 10	(2) G191B2B	COS/NUV, TIME-TAG, PSA	G225M 2410 A	BUFFER-TIME=13 9; FP-POS=3			225 Secs [==>]	[1]
	6	G285M - 26 17	(2) G191B2B	COS/NUV, TIME-TAG, PSA	G285M 2617 A	BUFFER-TIME=21 7; FP-POS=3			330 Secs [==>]	[1]
	7	G285M - 27 39	(2) G191B2B	COS/NUV, TIME-TAG, PSA	G285M 2739 A	BUFFER-TIME=23 9; FP-POS=3			440 Secs [==>]	[1]



Proposal 11896 - Visit A2 - NUV Spectroscopic Sensitivity Monitoring

Wed Jan 27 02:08:18 GMT 2010

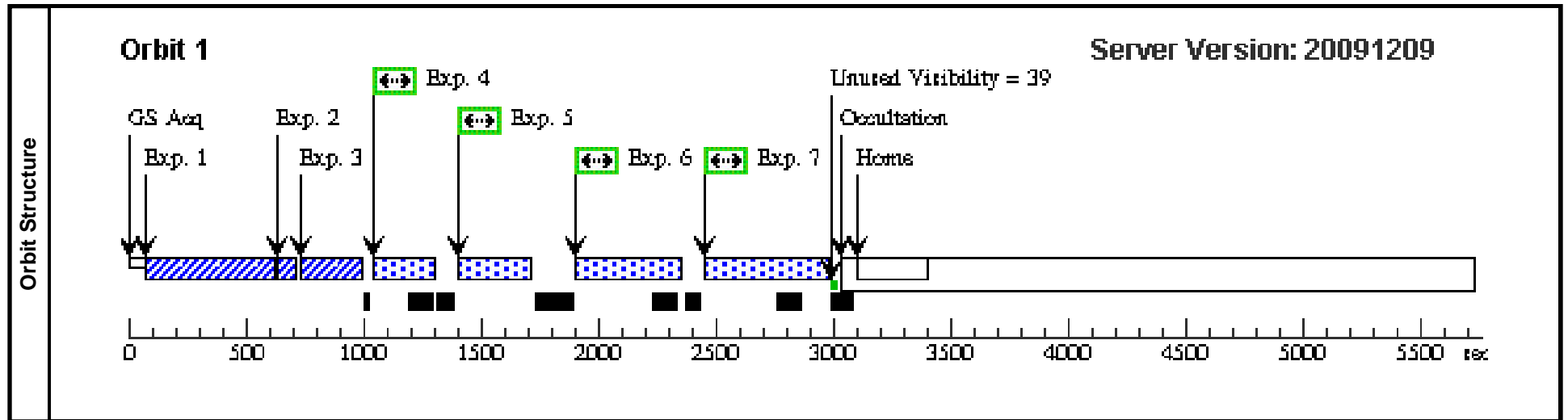
Visit	Proposal 11896, Visit A2, completed Diagnostic Status: No Diagnostics Scientific Instruments: COS/NUV Special Requirements: SCHED 100%; BETWEEN 02-NOV-2009:00:00:00 AND 08-NOV-2009:23:59:59									
	Fixed Targets	#	Name	Target Coordinates	Targ. Coord. Corrections	Fluxes	Miscellaneous			
	(2)	G191B2B	RA: 05 05 30.6060 (76.3775250d) Dec: +52 49 52.74 (52.83132d) Equinox: J2000	Proper Motion RA: 0.00071s/yr Proper Motion Dec: -0.0907"/yr Epoch of Position: 1991.25	V=11.79	Reference Frame: ICRS				
	<i>Comments: coords, PM from Hipparcos</i>									
Exposures	#	Label	Target	Config,Mode,Aperture	Spectral Els.	Opt. Params.	Special Reqs.	Groups	Exp. Time/[Actual Dur.]	Orbit
	1	G185M - A CQ/SEARC H	(2) G191B2B	COS/NUV, ACQ/SEARCH, PSA	G185M 1921 A	STEP-SIZE=1.767; SCAN-SIZE=3			1 Secs [==>]	[1]
	<i>Comments: parameters taken from exposure 1, visit 1 of proposal 11481</i>									
	2	G185M - A CQ/PEAKX D	(2) G191B2B	COS/NUV, ACQ/PEAKXD, PSA	G185M 1921 A				1 Secs [==>]	[1]
	<i>Comments: parameters taken from exposure 2, visit 1 of proposal 11481</i>									
	3	G185M - A CQ/PEAKD	(2) G191B2B	COS/NUV, ACQ/PEAKD, PSA	G185M 1921 A	STEP-SIZE=0.6; NUM-POS=9.0			1 Secs [==>]	[1]
	4	G185M - 19 21 A	(2) G191B2B	COS/NUV, TIME-TAG, PSA	G185M 1921 A	BUFFER-TIME=80; FP-POS=3			130 Secs [==>]	[1]
	5	G225M - 21 86 A	(2) G191B2B	COS/NUV, TIME-TAG, PSA	G225M 2186 A	BUFFER-TIME=15 0.;			241 Secs [==>]	[1]
	6	G225M - 23 06 A	(2) G191B2B	COS/NUV, TIME-TAG, PSA	G225M 2306 A	BUFFER-TIME=13 4; FP-POS=3			213 Secs [==>]	[1]
	7	G225M - 24 10 A	(2) G191B2B	COS/NUV, TIME-TAG, PSA	G225M 2410 A	BUFFER-TIME=13 9; FP-POS=3			225 Secs [==>]	[1]
8	G285M - 26 17 A	(2) G191B2B	COS/NUV, TIME-TAG, PSA	G285M 2617 A	BUFFER-TIME=21 7; FP-POS=3			330 Secs [==>]	[2]	
9	G285M - 27 39 A	(2) G191B2B	COS/NUV, TIME-TAG, PSA	G285M 2739 A	BUFFER-TIME=23 9; FP-POS=3			400 Secs [==>]	[2]	
10	G285M - 30 94 A	(2) G191B2B	COS/NUV, TIME-TAG, PSA	G285M 3094 A	BUFFER-TIME=63 9; FP-POS=3			1230 Secs [==>]	[2]	



Proposal 11896 - Visit AD - NUV Spectroscopic Sensitivity Monitoring

Wed Jan 27 02:08:19 GMT 2010

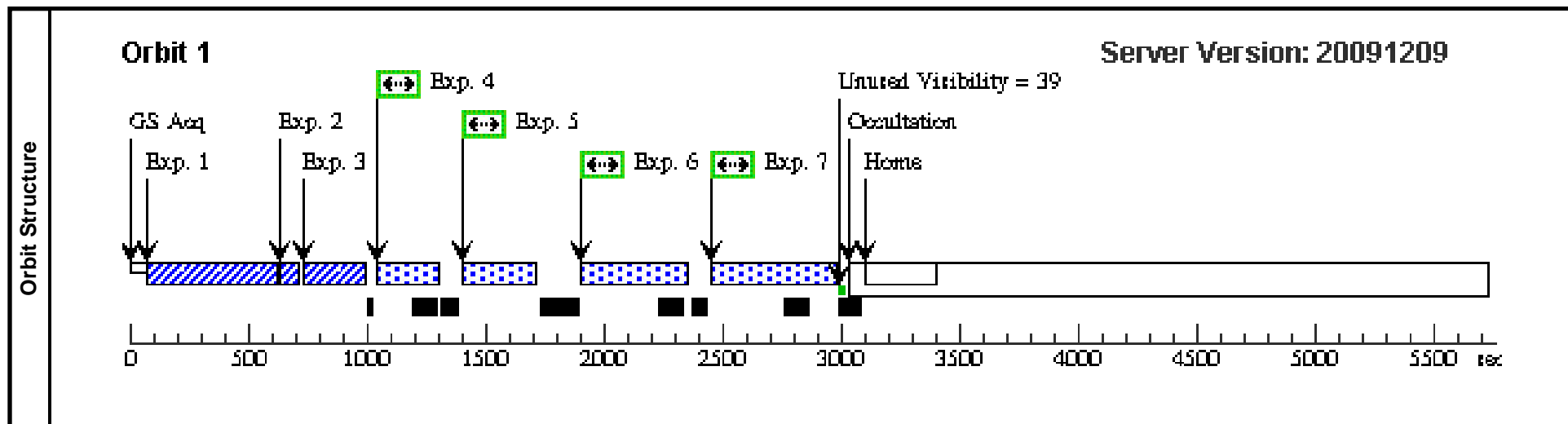
Visit		Proposal 11896, Visit AD, completed Diagnostic Status: No Diagnostics Scientific Instruments: COS/NUV Special Requirements: SCHED 100%; BETWEEN 30-NOV-2009:00:00:00 AND 13-DEC-2009:23:59:59									
Fixed Targets		#	Name	Target Coordinates	Targ. Coord. Corrections	Fluxes	Miscellaneous				
		(2)	G191B2B	RA: 05 05 30.6060 (76.3775250d) Dec: +52 49 52.74 (52.83132d) Equinox: J2000	Proper Motion RA: 0.00071s/yr Proper Motion Dec: -0.0907"/yr Epoch of Position: 1991.25	V=11.79	Reference Frame: ICRS				
		<i>Comments: coords, PM from Hipparcos</i>									
Exposures		#	Label	Target	Config,Mode,Aperture	Spectral Els.	Opt. Params.	Special Reqs.	Groups	Exp. Time/[Actual Dur.]	Orbit
		1	G225M - A CQ/SEARC H	(2) G191B2B	COS/NUV, ACQ/SEARCH, PSA	G225M 2186 A	STEP-SIZE=1.767; SCAN-SIZE=3			1 Secs [==>]	[1]
		2	G225M - A CQ/PEAKX D	(2) G191B2B	COS/NUV, ACQ/PEAKXD, PSA	G225M 2186 A				1 Secs [==>]	[1]
		3	G225M - A CQ/PEAKD	(2) G191B2B	COS/NUV, ACQ/PEAKD, PSA	G225M 2186 A	NUM-POS=9.0; STEP-SIZE=0.6			1 Secs [==>]	[1]
		4	G225M - 21 86	(2) G191B2B	COS/NUV, TIME-TAG, PSA	G225M 2186 A	BUFFER-TIME=15 0; FP-POS=3			241 Secs [==>]	[1]
		5	G225M - 24 10	(2) G191B2B	COS/NUV, TIME-TAG, PSA	G225M 2410 A	BUFFER-TIME=13 9; FP-POS=3			225 Secs [==>]	[1]
		6	G285M - 26 17	(2) G191B2B	COS/NUV, TIME-TAG, PSA	G285M 2617 A	BUFFER-TIME=21 7; FP-POS=3			330 Secs [==>]	[1]
		7	G285M - 27 39	(2) G191B2B	COS/NUV, TIME-TAG, PSA	G285M 2739 A	BUFFER-TIME=23 9; FP-POS=3			440 Secs [==>]	[1]



Proposal 11896 - Visit AE - NUV Spectroscopic Sensitivity Monitoring

Wed Jan 27 02:08:19 GMT 2010

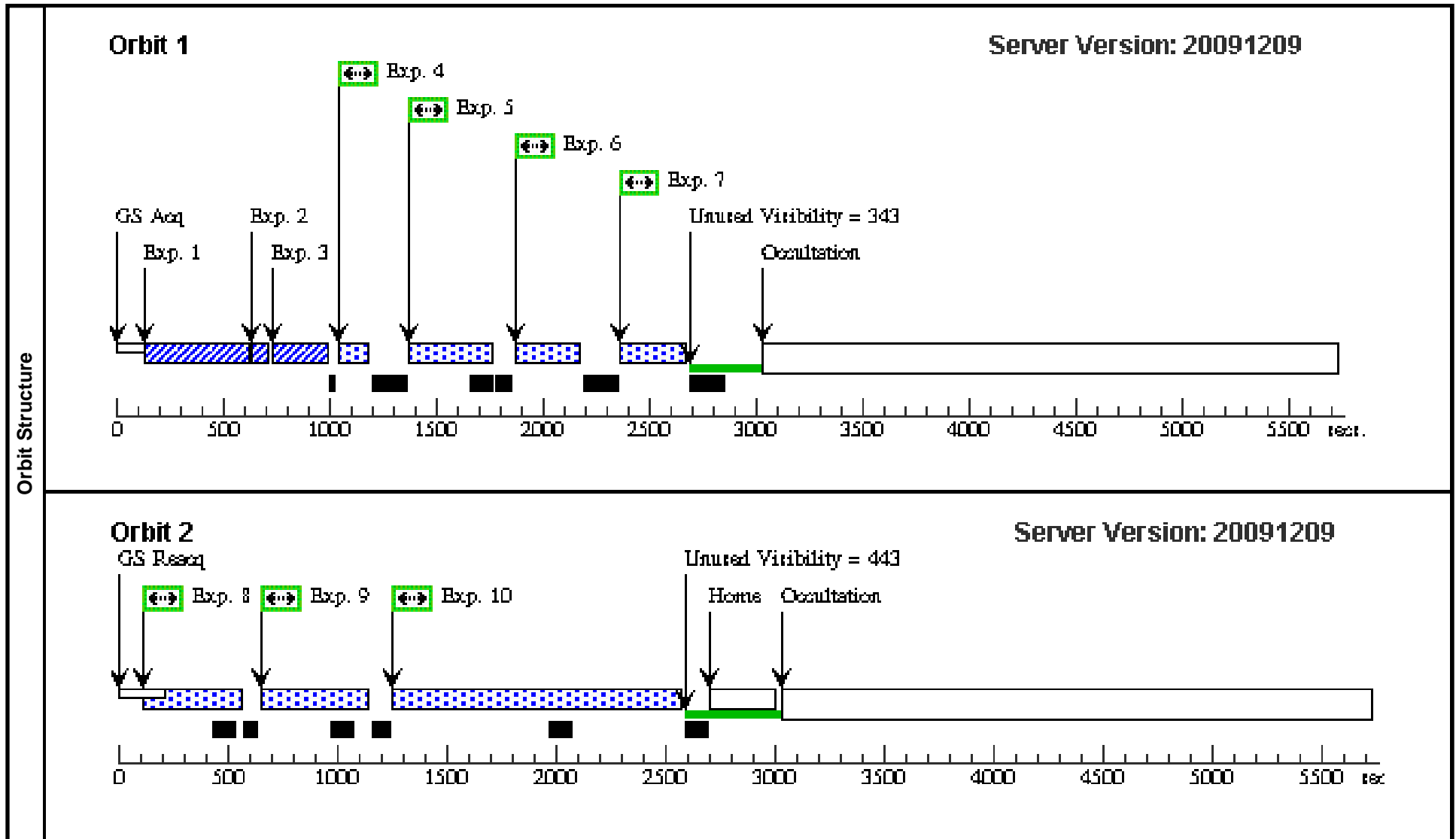
Visit		Proposal 11896, Visit AE, completed Diagnostic Status: No Diagnostics Scientific Instruments: COS/NUV Special Requirements: SCHED 100%; BETWEEN 04-JAN-2010:00:00:00 AND 10-JAN-2010:23:59:59									
Fixed Targets		#	Name	Target Coordinates	Targ. Coord. Corrections	Fluxes	Miscellaneous				
		(2)	G191B2B	RA: 05 05 30.6060 (76.3775250d) Dec: +52 49 52.74 (52.83132d) Equinox: J2000	Proper Motion RA: 0.00071s/yr Proper Motion Dec: -0.0907"/yr Epoch of Position: 1991.25	V=11.79	Reference Frame: ICRS				
		<i>Comments: coords, PM from Hipparcos</i>									
Exposures		#	Label	Target	Config,Mode,Aperture	Spectral Els.	Opt. Params.	Special Reqs.	Groups	Exp. Time/[Actual Dur.]	Orbit
		1	G225M - A CQ/SEARC H	(2) G191B2B	COS/NUV, ACQ/SEARCH, PSA	G225M 2186 A	STEP-SIZE=1.767; SCAN-SIZE=3			1 Secs [==>]	[1]
		2	G225M - A CQ/PEAKX D	(2) G191B2B	COS/NUV, ACQ/PEAKXD, PSA	G225M 2186 A				1 Secs [==>]	[1]
		3	G225M - A CQ/PEAKD	(2) G191B2B	COS/NUV, ACQ/PEAKD, PSA	G225M 2186 A	NUM-POS=9.0; STEP-SIZE=0.6			1 Secs [==>]	[1]
		4	G225M - 21 86	(2) G191B2B	COS/NUV, TIME-TAG, PSA	G225M 2186 A	BUFFER-TIME=15 0; FP-POS=3			241 Secs [==>]	[1]
		5	G225M - 24 10	(2) G191B2B	COS/NUV, TIME-TAG, PSA	G225M 2410 A	BUFFER-TIME=13 9; FP-POS=3			225 Secs [==>]	[1]
		6	G285M - 26 17	(2) G191B2B	COS/NUV, TIME-TAG, PSA	G285M 2617 A	BUFFER-TIME=21 7; FP-POS=3			330 Secs [==>]	[1]
		7	G285M - 27 39	(2) G191B2B	COS/NUV, TIME-TAG, PSA	G285M 2739 A	BUFFER-TIME=23 9; FP-POS=3			440 Secs [==>]	[1]



Proposal 11896 - Visit A3 - NUV Spectroscopic Sensitivity Monitoring

Wed Jan 27 02:08:19 GMT 2010

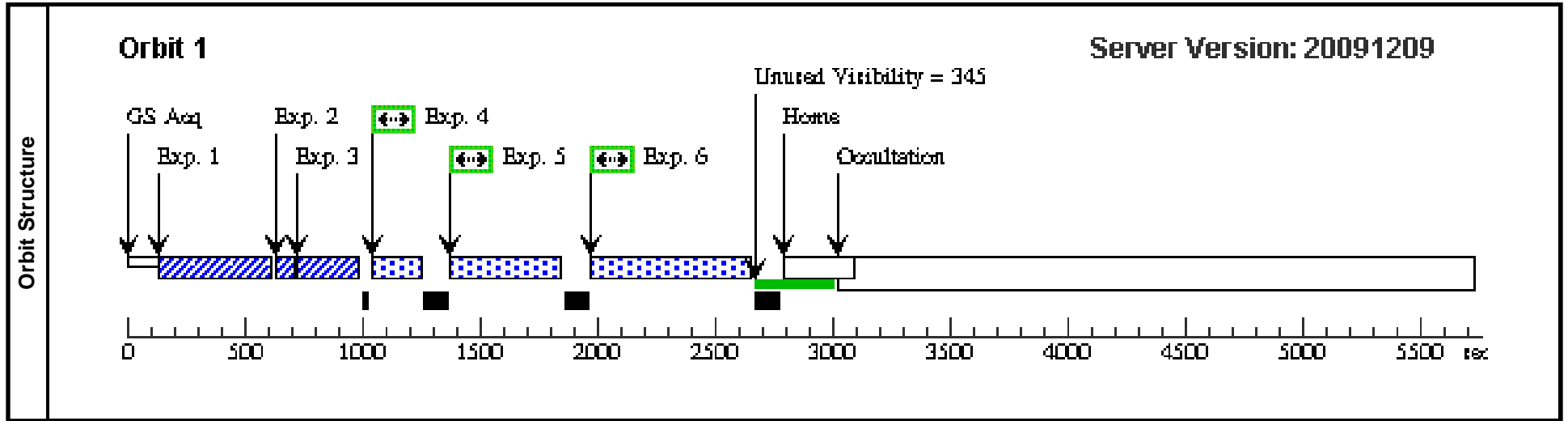
Visit		Proposal 11896, Visit A3, implementation									
Visit		Diagnostic Status: No Diagnostics									
Visit		Scientific Instruments: COS/NUV									
Visit		Special Requirements: SCHED 100%; BETWEEN 08-FEB-2010:00:00:00 AND 14-FEB-2010:23:59:59									
Fixed Targets	#	Name	Target Coordinates	Targ. Coord. Corrections	Fluxes	Miscellaneous					
		(2)	G191B2B	RA: 05 05 30.6060 (76.3775250d) Dec: +52 49 52.74 (52.83132d) Equinox: J2000	Proper Motion RA: 0.00071s/yr Proper Motion Dec: -0.0907"/yr Epoch of Position: 1991.25	V=11.79	Reference Frame: ICRS				
<i>Comments: coords, PM from Hipparcos</i>											
Exposures	#	Label	Target	Config,Mode,Aperture	Spectral Els.	Opt. Params.	Special Reqs.	Groups	Exp. Time/[Actual Dur.]	Orbit	
	1	G185M - A CQ/SEARC H	(2) G191B2B	COS/NUV, ACQ/SEARCH, PSA	G185M 1921 A	STEP-SIZE=1.767; SCAN-SIZE=3			1 Secs [==>]	[1]	
	<i>Comments: parameters taken from exposure 1, visit 1 of proposal 11481</i>										
	2	G185M - A CQ/PEAKX D	(2) G191B2B	COS/NUV, ACQ/PEAKXD, PSA	G185M 1921 A				1 Secs [==>]	[1]	
	<i>Comments: parameters taken from exposure 2, visit 1 of proposal 11481</i>										
	3	G185M - A CQ/PEAKD	(2) G191B2B	COS/NUV, ACQ/PEAKD, PSA	G185M 1921 A	STEP-SIZE=0.6; NUM-POS=9.0			1 Secs [==>]	[1]	
	4	G185M - 19 21 A	(2) G191B2B	COS/NUV, TIME-TAG, PSA	G185M 1921 A	BUFFER-TIME=80; FP-POS=3			130 Secs [==>]	[1]	
	5	G225M - 21 86 A	(2) G191B2B	COS/NUV, TIME-TAG, PSA	G225M 2186 A	BUFFER-TIME=15 0.;			241 Secs [==>]	[1]	
	6	G225M - 23 06 A	(2) G191B2B	COS/NUV, TIME-TAG, PSA	G225M 2306 A	BUFFER-TIME=13 4; FP-POS=3			213 Secs [==>]	[1]	
	7	G225M - 24 10 A	(2) G191B2B	COS/NUV, TIME-TAG, PSA	G225M 2410 A	BUFFER-TIME=13 9; FP-POS=3			225 Secs [==>]	[1]	
8	G285M - 26 17 A	(2) G191B2B	COS/NUV, TIME-TAG, PSA	G285M 2617 A	BUFFER-TIME=21 7; FP-POS=3			330 Secs [==>]	[2]		
9	G285M - 27 39 A	(2) G191B2B	COS/NUV, TIME-TAG, PSA	G285M 2739 A	BUFFER-TIME=23 9; FP-POS=3			400 Secs [==>]	[2]		
10	G285M - 30 94 A	(2) G191B2B	COS/NUV, TIME-TAG, PSA	G285M 3094 A	BUFFER-TIME=63 9; FP-POS=3			1230 Secs [==>]	[2]		



Proposal 11896 - Visit 2T - NUV Spectroscopic Sensitivity Monitoring

Wed Jan 27 02:08:19 GMT 2010

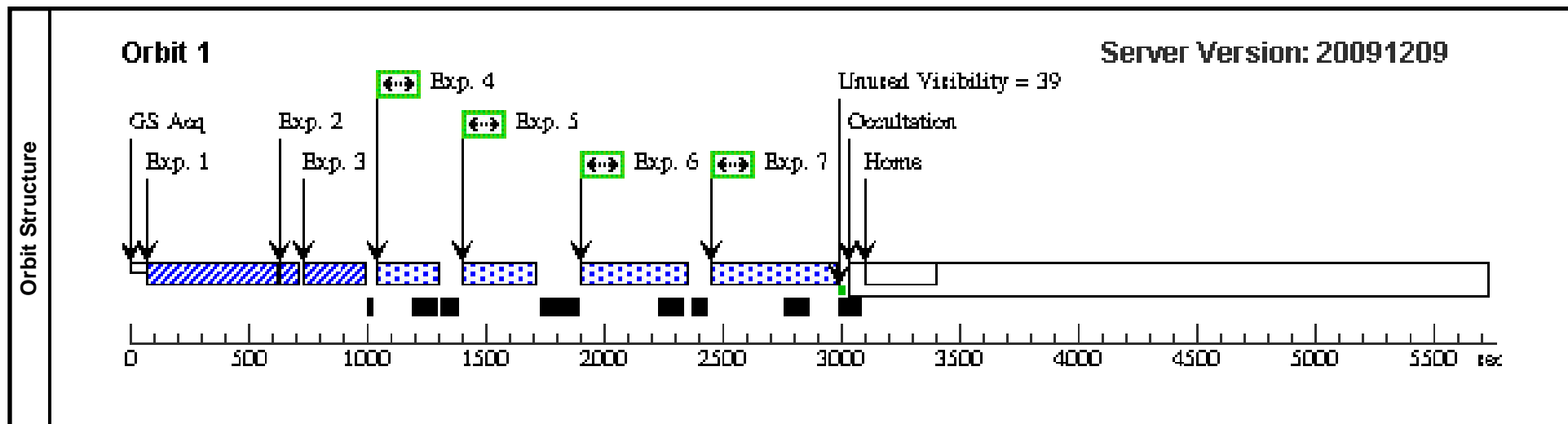
Visit		Proposal 11896, Visit 2T, scheduling Diagnostic Status: No Diagnostics Scientific Instruments: COS/NUV Special Requirements: SCHED 100%; AFTER A3 BY 1 H TO 12 H								
Fixed Targets	#	Name	Target Coordinates	Targ. Coord. Corrections	Fluxes	Miscellaneous				
	(3)	GD71	RA: 05 52 27.6190 (88.1150792d) Dec: +15 53 13.23 (15.88701d) Equinox: J2000	Proper Motion RA: +0.00530s/yr Proper Motion Dec: -0.171"/yr Epoch of Position: 2000 Radial Velocity: 12 km/sec	V=13.1+/-0.1	Reference Frame: ICRS				
<i>Comments: This object was generated by the targetselector and retrieved from the SIMBAD database.</i> <i>PM and coordinates from UCAC-2.</i>										
Exposures	#	Label	Target	Config,Mode,Aperture	Spectral Els.	Opt. Params.	Special Reqs.	Groups	Exp. Time/[Actual Dur.]	Orbit
	1	G185M - A CQ/SEARC H	(3) GD71	COS/NUV, ACQ/SEARCH, PSA	G185M 1921 A	SCAN-SIZE=3; STEP-SIZE=1.767			0.3 Secs [==>]	[1]
	<i>Comments: taken from visit 1, exposure 1 of proposal 11479</i>									
	2	G185M - A CQ/PEAKX D	(3) GD71	COS/NUV, ACQ/PEAKXD, PSA	G185M 1921 A				1 Secs [==>]	[1]
	<i>Comments: copied from visit 1, exposure 2 of proposal 11479</i>									
	3	G185M - A CQ/PEAKD	(3) GD71	COS/NUV, ACQ/PEAKD, PSA	G185M 1921 A	CENTER=FLUX-W T-FLR; NUM-POS=9; STEP-SIZE=1.0			0.3 Secs [==>]	[1]
	<i>Comments: copied from visit 1, exposure 3 of proposal 11479</i>									
4	G185M - 19 21	(3) GD71	COS/NUV, TIME-TAG, PSA	G185M 1921 A	BUFFER-TIME=19 1; FP-POS=3			191 Secs [==>]	[1]	
<i>Comments: ETC # 83818</i>										
5	G225M - 23 06	(3) GD71	COS/NUV, TIME-TAG, PSA	G225M 2306 A	BUFFER-TIME=32 0; FP-POS=3			320 Secs [==>]	[1]	
<i>Comments: ETC # 83819</i>										
6	G285M - 27 39	(3) GD71	COS/NUV, TIME-TAG, PSA	G285M 2739 A	BUFFER-TIME=56 0; FP-POS=3			560 Secs [==>]	[1]	
<i>Comments: ETC # 83820</i>										



Proposal 11896 - Visit AF - NUV Spectroscopic Sensitivity Monitoring

Wed Jan 27 02:08:20 GMT 2010

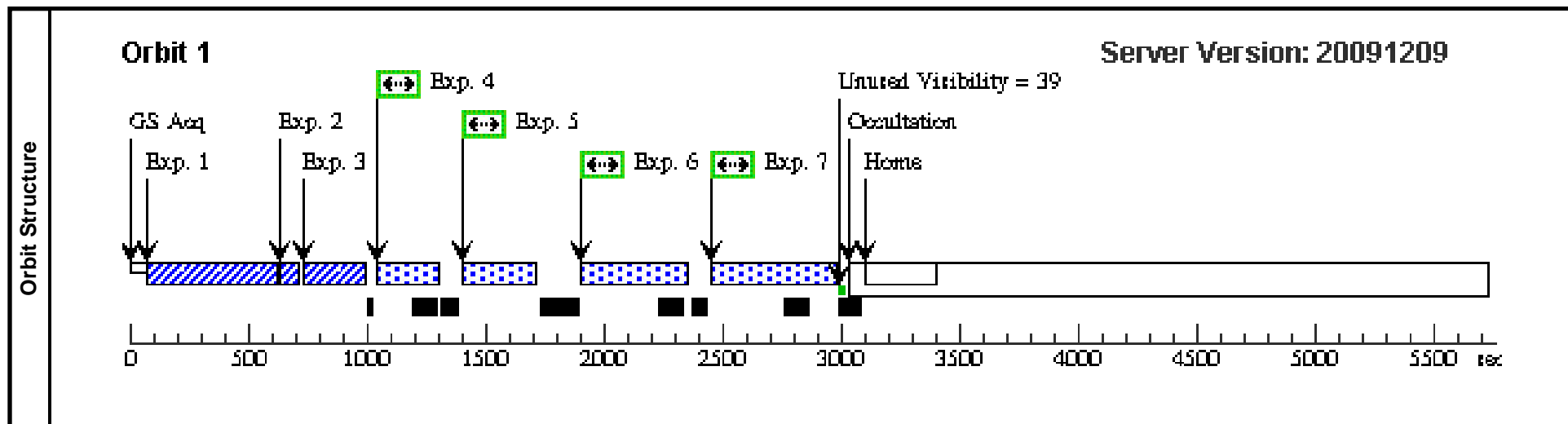
Visit		Proposal 11896, Visit AF, scheduling Diagnostic Status: No Diagnostics Scientific Instruments: COS/NUV Special Requirements: SCHED 100%; BETWEEN 08-MAR-2010:00:00:00 AND 14-MAR-2010:23:59:59										
Fixed Targets		#	Name	Target Coordinates	Targ. Coord. Corrections	Fluxes	Miscellaneous					
		(2)	G191B2B	RA: 05 05 30.6060 (76.3775250d) Dec: +52 49 52.74 (52.83132d) Equinox: J2000	Proper Motion RA: 0.00071s/yr Proper Motion Dec: -0.0907"/yr Epoch of Position: 1991.25	V=11.79	Reference Frame: ICRS					
		<i>Comments: coords, PM from Hipparcos</i>										
Exposures		#	Label	Target	Config,Mode,Aperture	Spectral Els.	Opt. Params.	Special Reqs.	Groups	Exp. Time/[Actual Dur.]	Orbit	
		1	G225M - A CQ/SEARC H	(2) G191B2B	COS/NUV, ACQ/SEARCH, PSA	G225M 2186 A	STEP-SIZE=1.767; SCAN-SIZE=3			1 Secs [==>]	[1]	
		2	G225M - A CQ/PEAKX D	(2) G191B2B	COS/NUV, ACQ/PEAKXD, PSA	G225M 2186 A				1 Secs [==>]	[1]	
		3	G225M - A CQ/PEAKD	(2) G191B2B	COS/NUV, ACQ/PEAKD, PSA	G225M 2186 A	NUM-POS=9.0; STEP-SIZE=0.6				1 Secs [==>]	[1]
		4	G225M - 21 86	(2) G191B2B	COS/NUV, TIME-TAG, PSA	G225M 2186 A	BUFFER-TIME=15 0; FP-POS=3				241 Secs [==>]	[1]
		5	G225M - 24 10	(2) G191B2B	COS/NUV, TIME-TAG, PSA	G225M 2410 A	BUFFER-TIME=13 9; FP-POS=3				225 Secs [==>]	[1]
		6	G285M - 26 17	(2) G191B2B	COS/NUV, TIME-TAG, PSA	G285M 2617 A	BUFFER-TIME=21 7; FP-POS=3				330 Secs [==>]	[1]
		7	G285M - 27 39	(2) G191B2B	COS/NUV, TIME-TAG, PSA	G285M 2739 A	BUFFER-TIME=23 9; FP-POS=3				440 Secs [==>]	[1]



Proposal 11896 - Visit AG - NUV Spectroscopic Sensitivity Monitoring

Wed Jan 27 02:08:20 GMT 2010

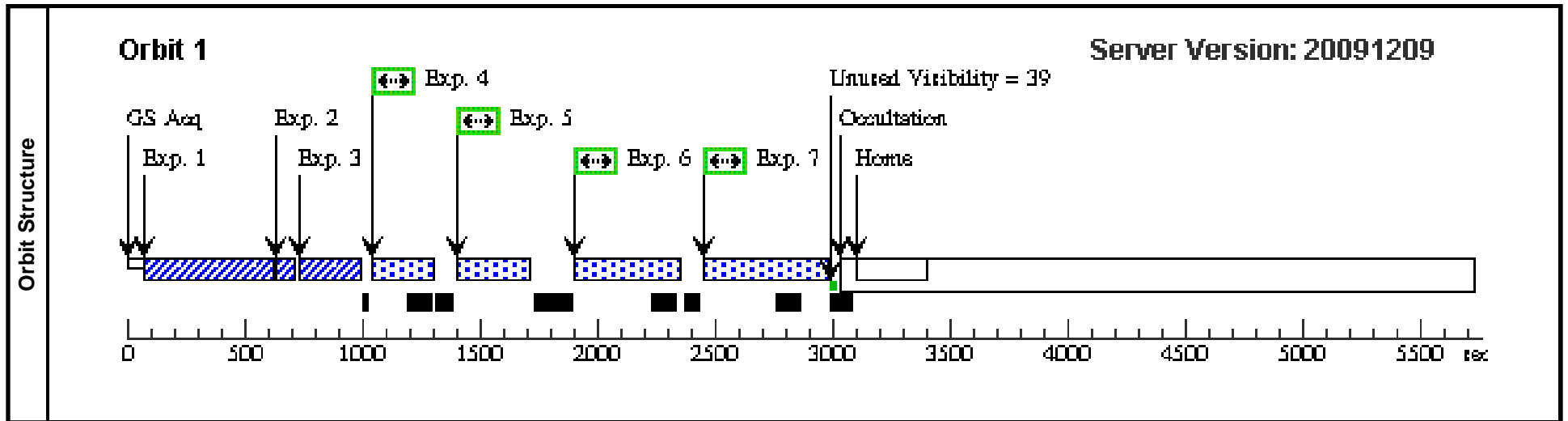
Visit		Proposal 11896, Visit AG, scheduling Diagnostic Status: No Diagnostics Scientific Instruments: COS/NUV Special Requirements: SCHED 100%; BETWEEN 05-APR-2010:00:00:00 AND 11-APR-2010:23:59:59										
Fixed Targets		#	Name	Target Coordinates	Targ. Coord. Corrections	Fluxes	Miscellaneous					
		(2)	G191B2B	RA: 05 05 30.6060 (76.3775250d) Dec: +52 49 52.74 (52.83132d) Equinox: J2000	Proper Motion RA: 0.00071s/yr Proper Motion Dec: -0.0907"/yr Epoch of Position: 1991.25	V=11.79	Reference Frame: ICRS					
		<i>Comments: coords, PM from Hipparcos</i>										
Exposures		#	Label	Target	Config,Mode,Aperture	Spectral Els.	Opt. Params.	Special Reqs.	Groups	Exp. Time/[Actual Dur.]	Orbit	
		1	G225M - A CQ/SEARC H	(2) G191B2B	COS/NUV, ACQ/SEARCH, PSA	G225M 2186 A	STEP-SIZE=1.767; SCAN-SIZE=3			1 Secs [==>]	[1]	
		2	G225M - A CQ/PEAKX D	(2) G191B2B	COS/NUV, ACQ/PEAKXD, PSA	G225M 2186 A				1 Secs [==>]	[1]	
		3	G225M - A CQ/PEAKD	(2) G191B2B	COS/NUV, ACQ/PEAKD, PSA	G225M 2186 A	NUM-POS=9.0; STEP-SIZE=0.6				1 Secs [==>]	[1]
		4	G225M - 21 86	(2) G191B2B	COS/NUV, TIME-TAG, PSA	G225M 2186 A	BUFFER-TIME=15 0; FP-POS=3				241 Secs [==>]	[1]
		5	G225M - 24 10	(2) G191B2B	COS/NUV, TIME-TAG, PSA	G225M 2410 A	BUFFER-TIME=13 9; FP-POS=3				225 Secs [==>]	[1]
		6	G285M - 26 17	(2) G191B2B	COS/NUV, TIME-TAG, PSA	G285M 2617 A	BUFFER-TIME=21 7; FP-POS=3				330 Secs [==>]	[1]
		7	G285M - 27 39	(2) G191B2B	COS/NUV, TIME-TAG, PSA	G285M 2739 A	BUFFER-TIME=23 9; FP-POS=3				440 Secs [==>]	[1]



Proposal 11896 - Visit AH - NUV Spectroscopic Sensitivity Monitoring

Wed Jan 27 02:08:20 GMT 2010

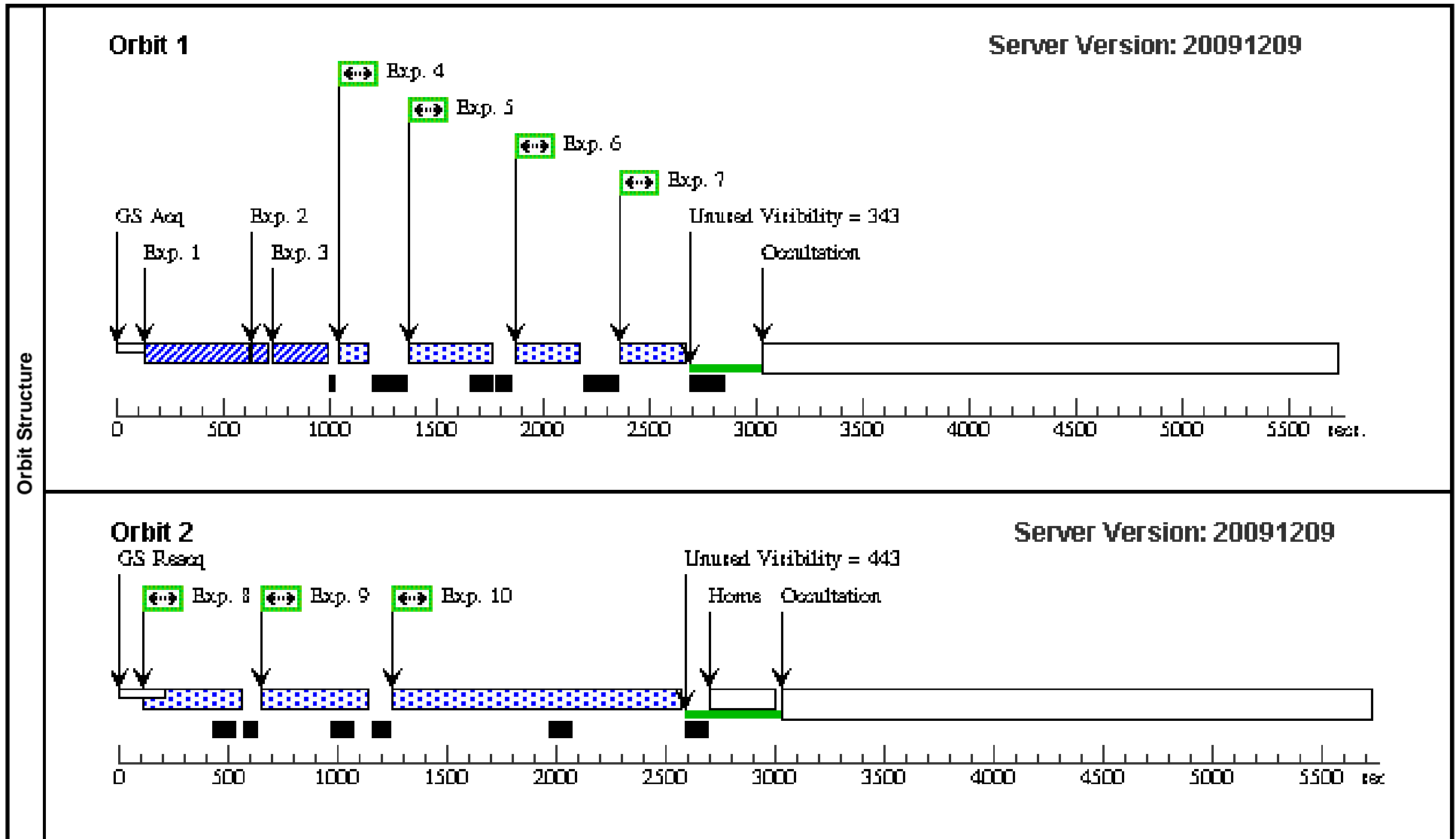
Visit		Proposal 11896, Visit AH, scheduling Diagnostic Status: No Diagnostics Scientific Instruments: COS/NUV Special Requirements: SCHED 100%; BETWEEN 26-APR-2010:00:00:00 AND 02-MAY-2010:23:59:59									
Fixed Targets		#	Name	Target Coordinates	Targ. Coord. Corrections	Fluxes	Miscellaneous				
		(2)	G191B2B	RA: 05 05 30.6060 (76.3775250d) Dec: +52 49 52.74 (52.83132d) Equinox: J2000	Proper Motion RA: 0.00071s/yr Proper Motion Dec: -0.0907"/yr Epoch of Position: 1991.25	V=11.79	Reference Frame: ICRS				
		<i>Comments: coords, PM from Hipparcos</i>									
Exposures		#	Label	Target	Config,Mode,Aperture	Spectral Els.	Opt. Params.	Special Reqs.	Groups	Exp. Time/[Actual Dur.]	Orbit
		1	G225M - A CQ/SEARC H	(2) G191B2B	COS/NUV, ACQ/SEARCH, PSA	G225M 2186 A	STEP-SIZE=1.767; SCAN-SIZE=3			1 Secs [==>]	[1]
		2	G225M - A CQ/PEAKX D	(2) G191B2B	COS/NUV, ACQ/PEAKXD, PSA	G225M 2186 A				1 Secs [==>]	[1]
		3	G225M - A CQ/PEAKD	(2) G191B2B	COS/NUV, ACQ/PEAKD, PSA	G225M 2186 A	NUM-POS=9.0; STEP-SIZE=0.6			1 Secs [==>]	[1]
		4	G225M - 21 86	(2) G191B2B	COS/NUV, TIME-TAG, PSA	G225M 2186 A	BUFFER-TIME=15 0; FP-POS=3			241 Secs [==>]	[1]
		5	G225M - 24 10	(2) G191B2B	COS/NUV, TIME-TAG, PSA	G225M 2410 A	BUFFER-TIME=13 9; FP-POS=3			225 Secs [==>]	[1]
		6	G285M - 26 17	(2) G191B2B	COS/NUV, TIME-TAG, PSA	G285M 2617 A	BUFFER-TIME=21 7; FP-POS=3			330 Secs [==>]	[1]
		7	G285M - 27 39	(2) G191B2B	COS/NUV, TIME-TAG, PSA	G285M 2739 A	BUFFER-TIME=23 9; FP-POS=3			440 Secs [==>]	[1]



Proposal 11896 - Visit A4 - NUV Spectroscopic Sensitivity Monitoring

Wed Jan 27 02:08:20 GMT 2010

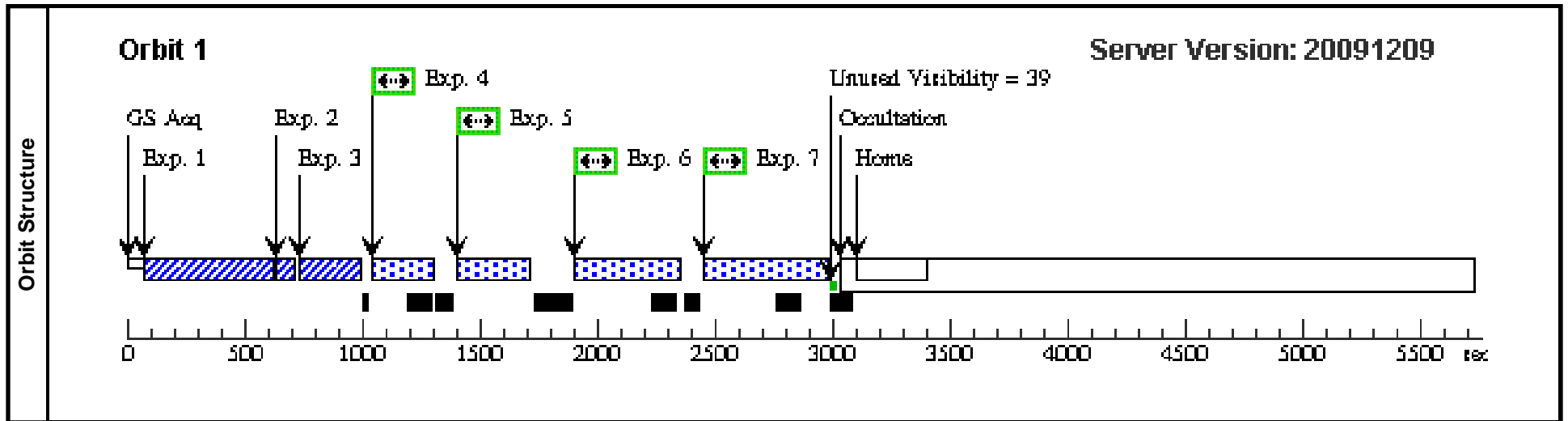
Visit		Proposal 11896, Visit A4, implementation Diagnostic Status: No Diagnostics Scientific Instruments: COS/NUV Special Requirements: SCHED 100%; BETWEEN 26-JUL-2010:00:00:00 AND 01-AUG-2010:23:59:59									
Fixed Targets	#	Name	Target Coordinates	Targ. Coord. Corrections	Fluxes	Miscellaneous					
		(2)	G191B2B	RA: 05 05 30.6060 (76.3775250d) Dec: +52 49 52.74 (52.83132d) Equinox: J2000	Proper Motion RA: 0.00071s/yr Proper Motion Dec: -0.0907"/yr Epoch of Position: 1991.25	V=11.79	Reference Frame: ICRS				
<i>Comments: coords, PM from Hipparcos</i>											
Exposures	#	Label	Target	Config,Mode,Aperture	Spectral Els.	Opt. Params.	Special Reqs.	Groups	Exp. Time/[Actual Dur.]	Orbit	
	1	G185M - A CQ/SEARC H	(2) G191B2B	COS/NUV, ACQ/SEARCH, PSA	G185M 1921 A	STEP-SIZE=1.767; SCAN-SIZE=3			1 Secs [==>]	[1]	
	<i>Comments: parameters taken from exposure 1, visit 1 of proposal 11481</i>										
	2	G185M - A CQ/PEAKX D	(2) G191B2B	COS/NUV, ACQ/PEAKXD, PSA	G185M 1921 A				1 Secs [==>]	[1]	
	<i>Comments: parameters taken from exposure 2, visit 1 of proposal 11481</i>										
	3	G185M - A CQ/PEAKD	(2) G191B2B	COS/NUV, ACQ/PEAKD, PSA	G185M 1921 A	STEP-SIZE=0.6; NUM-POS=9.0			1 Secs [==>]	[1]	
	4	G185M - 19 21 A	(2) G191B2B	COS/NUV, TIME-TAG, PSA	G185M 1921 A	BUFFER-TIME=80; FP-POS=3			130 Secs [==>]	[1]	
	5	G225M - 21 86 A	(2) G191B2B	COS/NUV, TIME-TAG, PSA	G225M 2186 A	BUFFER-TIME=15 0.;			241 Secs [==>]	[1]	
	6	G225M - 23 06 A	(2) G191B2B	COS/NUV, TIME-TAG, PSA	G225M 2306 A	BUFFER-TIME=13 4; FP-POS=3			213 Secs [==>]	[1]	
	7	G225M - 24 10 A	(2) G191B2B	COS/NUV, TIME-TAG, PSA	G225M 2410 A	BUFFER-TIME=13 9; FP-POS=3			225 Secs [==>]	[1]	
8	G285M - 26 17 A	(2) G191B2B	COS/NUV, TIME-TAG, PSA	G285M 2617 A	BUFFER-TIME=21 7; FP-POS=3			330 Secs [==>]	[2]		
9	G285M - 27 39 A	(2) G191B2B	COS/NUV, TIME-TAG, PSA	G285M 2739 A	BUFFER-TIME=23 9; FP-POS=3			400 Secs [==>]	[2]		
10	G285M - 30 94 A	(2) G191B2B	COS/NUV, TIME-TAG, PSA	G285M 3094 A	BUFFER-TIME=63 9; FP-POS=3			1230 Secs [==>]	[2]		



Proposal 11896 - Visit AJ - NUV Spectroscopic Sensitivity Monitoring

Wed Jan 27 02:08:21 GMT 2010

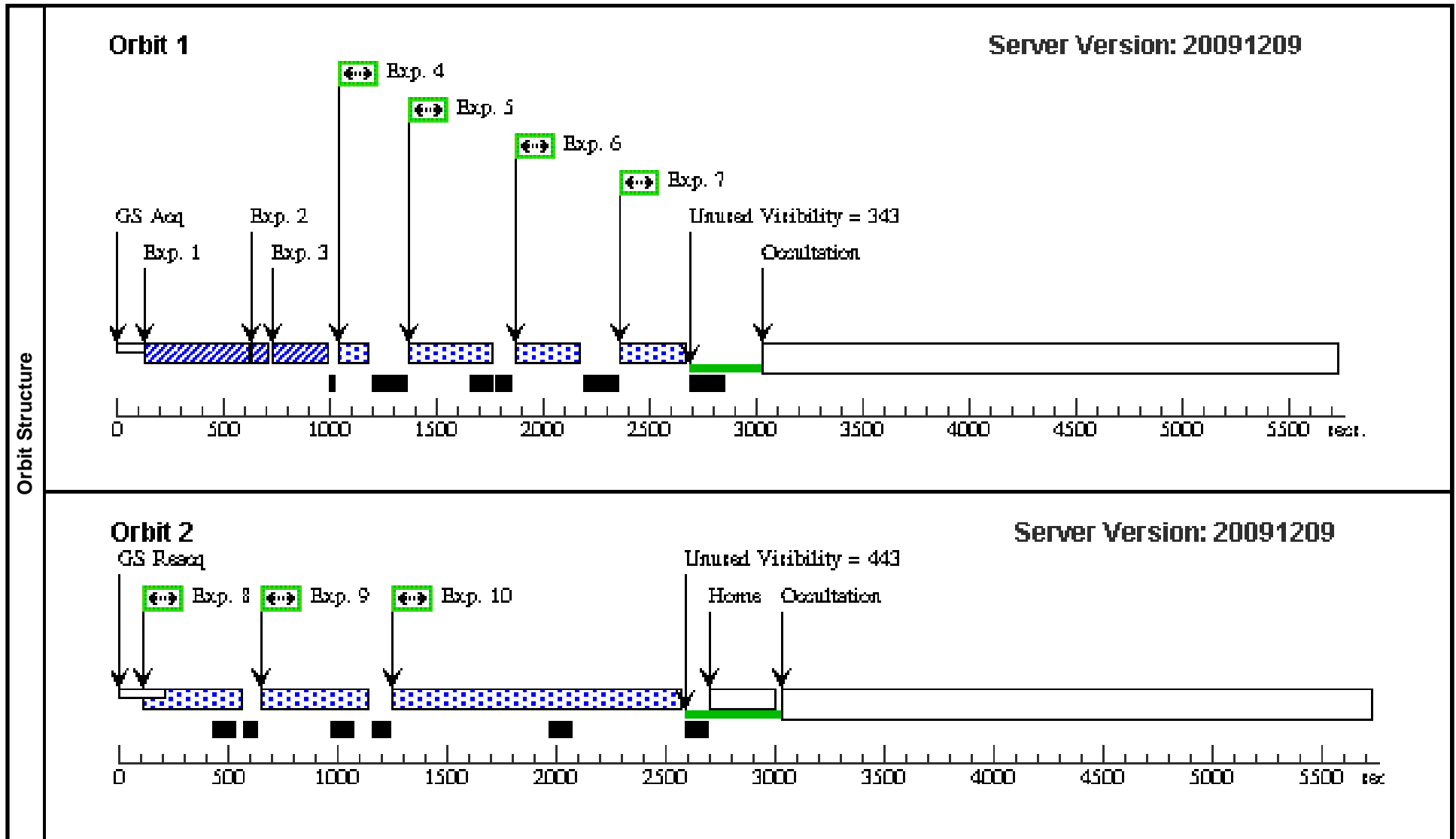
Visit		Proposal 11896, Visit AJ, scheduling Diagnostic Status: No Diagnostics Scientific Instruments: COS/NUV Special Requirements: SCHED 100%; BETWEEN 09-AUG-2010:00:00:00 AND 15-AUG-2010:23:59:59									
Fixed Targets		#	Name	Target Coordinates	Targ. Coord. Corrections	Fluxes	Miscellaneous				
		(2)	G191B2B	RA: 05 05 30.6060 (76.3775250d) Dec: +52 49 52.74 (52.83132d) Equinox: J2000	Proper Motion RA: 0.00071s/yr Proper Motion Dec: -0.0907"/yr Epoch of Position: 1991.25	V=11.79	Reference Frame: ICRS				
		<i>Comments: coords, PM from Hipparcos</i>									
Exposures		#	Label	Target	Config,Mode,Aperture	Spectral Els.	Opt. Params.	Special Reqs.	Groups	Exp. Time/[Actual Dur.]	Orbit
		1	G225M - A CQ/SEARC H	(2) G191B2B	COS/NUV, ACQ/SEARCH, PSA	G225M 2186 A	STEP-SIZE=1.767; SCAN-SIZE=3			1 Secs [==>]	[1]
		2	G225M - A CQ/PEAKX D	(2) G191B2B	COS/NUV, ACQ/PEAKXD, PSA	G225M 2186 A				1 Secs [==>]	[1]
		3	G225M - A CQ/PEAKD	(2) G191B2B	COS/NUV, ACQ/PEAKD, PSA	G225M 2186 A	NUM-POS=9.0; STEP-SIZE=0.6			1 Secs [==>]	[1]
		4	G225M - 21 86	(2) G191B2B	COS/NUV, TIME-TAG, PSA	G225M 2186 A	BUFFER-TIME=15 0; FP-POS=3			241 Secs [==>]	[1]
		5	G225M - 24 10	(2) G191B2B	COS/NUV, TIME-TAG, PSA	G225M 2410 A	BUFFER-TIME=13 9; FP-POS=3			225 Secs [==>]	[1]
		6	G285M - 26 17	(2) G191B2B	COS/NUV, TIME-TAG, PSA	G285M 2617 A	BUFFER-TIME=21 7; FP-POS=3			330 Secs [==>]	[1]
		7	G285M - 27 39	(2) G191B2B	COS/NUV, TIME-TAG, PSA	G285M 2739 A	BUFFER-TIME=23 9; FP-POS=3			440 Secs [==>]	[1]



Proposal 11896 - Visit A5 - NUV Spectroscopic Sensitivity Monitoring

Wed Jan 27 02:08:21 GMT 2010

Visit	Proposal 11896, Visit A5, implementation Diagnostic Status: No Diagnostics Scientific Instruments: COS/NUV Special Requirements: SCHED 100%; BETWEEN 13-SEP-2010:00:00:00 AND 19-SEP-2010:23:59:59									
	Fixed Targets	#	Name	Target Coordinates	Targ. Coord. Corrections	Fluxes	Miscellaneous			
	(2)	G191B2B	RA: 05 05 30.6060 (76.3775250d) Dec: +52 49 52.74 (52.83132d) Equinox: J2000	Proper Motion RA: 0.00071s/yr Proper Motion Dec: -0.0907"/yr Epoch of Position: 1991.25	V=11.79	Reference Frame: ICRS				
	<i>Comments: coords, PM from Hipparcos</i>									
Exposures	#	Label	Target	Config,Mode,Aperture	Spectral Els.	Opt. Params.	Special Reqs.	Groups	Exp. Time/[Actual Dur.]	Orbit
	1	G185M - A CQ/SEARC H	(2) G191B2B	COS/NUV, ACQ/SEARCH, PSA	G185M 1921 A	STEP-SIZE=1.767; SCAN-SIZE=3			1 Secs [==>]	[1]
	<i>Comments: parameters taken from exposure 1, visit 1 of proposal 11481</i>									
	2	G185M - A CQ/PEAKX D	(2) G191B2B	COS/NUV, ACQ/PEAKXD, PSA	G185M 1921 A				1 Secs [==>]	[1]
	<i>Comments: parameters taken from exposure 2, visit 1 of proposal 11481</i>									
	3	G185M - A CQ/PEAKD	(2) G191B2B	COS/NUV, ACQ/PEAKD, PSA	G185M 1921 A	STEP-SIZE=0.6; NUM-POS=9.0			1 Secs [==>]	[1]
	4	G185M - 19 21 A	(2) G191B2B	COS/NUV, TIME-TAG, PSA	G185M 1921 A	BUFFER-TIME=80; FP-POS=3			130 Secs [==>]	[1]
	5	G225M - 21 86 A	(2) G191B2B	COS/NUV, TIME-TAG, PSA	G225M 2186 A	BUFFER-TIME=15 0; FP-POS=3			241 Secs [==>]	[1]
	6	G225M - 23 06 A	(2) G191B2B	COS/NUV, TIME-TAG, PSA	G225M 2306 A	BUFFER-TIME=13 4; FP-POS=3			213 Secs [==>]	[1]
	7	G225M - 24 10 A	(2) G191B2B	COS/NUV, TIME-TAG, PSA	G225M 2410 A	BUFFER-TIME=13 9; FP-POS=3			225 Secs [==>]	[1]
8	G285M - 26 17 A	(2) G191B2B	COS/NUV, TIME-TAG, PSA	G285M 2617 A	BUFFER-TIME=21 7; FP-POS=3			330 Secs [==>]	[2]	
9	G285M - 27 39 A	(2) G191B2B	COS/NUV, TIME-TAG, PSA	G285M 2739 A	BUFFER-TIME=23 9; FP-POS=3			400 Secs [==>]	[2]	
10	G285M - 30 94 A	(2) G191B2B	COS/NUV, TIME-TAG, PSA	G285M 3094 A	BUFFER-TIME=63 9; FP-POS=3			1230 Secs [==>]	[2]	



Proposal 11896 - Visit AK - NUV Spectroscopic Sensitivity Monitoring

Wed Jan 27 02:08:21 GMT 2010

Visit		Proposal 11896, Visit AK, scheduling Diagnostic Status: No Diagnostics Scientific Instruments: COS/NUV Special Requirements: SCHED 100%; BETWEEN 18-OCT-2010:00:00:00 AND 24-OCT-2010:23:59:59									
Fixed Targets		#	Name	Target Coordinates	Targ. Coord. Corrections	Fluxes	Miscellaneous				
		(2)	G191B2B	RA: 05 05 30.6060 (76.3775250d) Dec: +52 49 52.74 (52.83132d) Equinox: J2000	Proper Motion RA: 0.00071s/yr Proper Motion Dec: -0.0907"/yr Epoch of Position: 1991.25	V=11.79	Reference Frame: ICRS				
		<i>Comments: coords, PM from Hipparcos</i>									
Exposures		#	Label	Target	Config,Mode,Aperture	Spectral Els.	Opt. Params.	Special Reqs.	Groups	Exp. Time/[Actual Dur.]	Orbit
		1	G225M - A CQ/SEARC H	(2) G191B2B	COS/NUV, ACQ/SEARCH, PSA	G225M 2186 A	STEP-SIZE=1.767; SCAN-SIZE=3			1 Secs [==>]	[1]
		2	G225M - A CQ/PEAKX D	(2) G191B2B	COS/NUV, ACQ/PEAKXD, PSA	G225M 2186 A				1 Secs [==>]	[1]
		3	G225M - A CQ/PEAKD	(2) G191B2B	COS/NUV, ACQ/PEAKD, PSA	G225M 2186 A	NUM-POS=9.0; STEP-SIZE=0.6			1 Secs [==>]	[1]
		4	G225M - 21 86	(2) G191B2B	COS/NUV, TIME-TAG, PSA	G225M 2186 A	BUFFER-TIME=15 0; FP-POS=3			241 Secs [==>]	[1]
		5	G225M - 24 10	(2) G191B2B	COS/NUV, TIME-TAG, PSA	G225M 2410 A	BUFFER-TIME=13 9; FP-POS=3			225 Secs [==>]	[1]
		6	G285M - 26 17	(2) G191B2B	COS/NUV, TIME-TAG, PSA	G285M 2617 A	BUFFER-TIME=21 7; FP-POS=3			330 Secs [==>]	[1]
		7	G285M - 27 39	(2) G191B2B	COS/NUV, TIME-TAG, PSA	G285M 2739 A	BUFFER-TIME=23 9; FP-POS=3			440 Secs [==>]	[1]

